

# Instruction Sheet

## Kit Number: 71510900

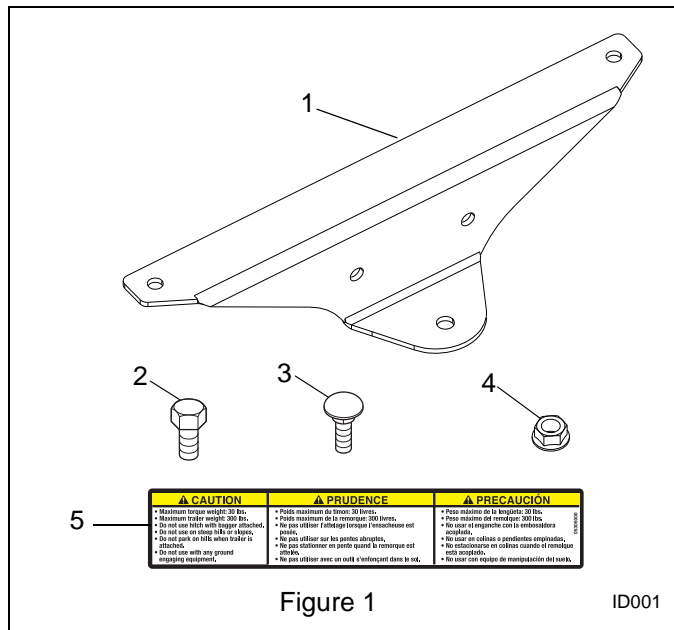
### CONSUMER TRAILER HITCH KIT

**WARNING:** FAILURE TO FOLLOW INSTRUCTIONS could result in personal injury and/or damage to unit. Read, understand, and follow all safety practices in Owner/Operator Manual before beginning.

#### Package Contents

Check contents of your kit for the parts listed (Figure 1):

Item	Qty	Description	Ariens P/N
1	1	Consumer Hitch Plate	03853851
2	2	.38-16 x .75" Hex Bolt	05959400
3	2	.38-16 x .75" Round Head Square Neck Bolt	06223900
4	4	.38-16 Locking Top Flange Nut	06542000
5	1	Trailer Hitch Decal	05305000



### INSTALLATION

**WARNING:** AVOID INJURY! NEVER attempt to make any adjustments to unit while engine is running. STOP engine, remove ignition key, and wait for all moving parts to stop and hot parts to cool before servicing.

**WARNING:** AVOID INJURY! Towing equipment changes steering characteristics and maneuverability, increases braking distances, and alters the unit's center of gravity. Consult the original equipment manufacturer's owner's manual to determine if your unit can support this kit. Always follow all OEM installation, operation and safety requirements before using this kit.

**CAUTION:** This kit was designed to be installed by a manufacturer's authorized service technician, not by an end user. Make sure this kit is installed by an authorized servicing dealer who has been trained in the installation and service of trailer hitch kits.

#### Installation

1. Line up the Consumer Hitch Plate (item 1) with holes on the bumper. (Figure 2)
2. Install the Consumer Hitch Plate (item 1) with two .38-16 x .75" Hex Bolts (item 2), two .38-16 x .75" Round Head Square Neck Bolts (item 3), and four .38-16 Locking Top Flange Nuts (item 4). (Figure 2)

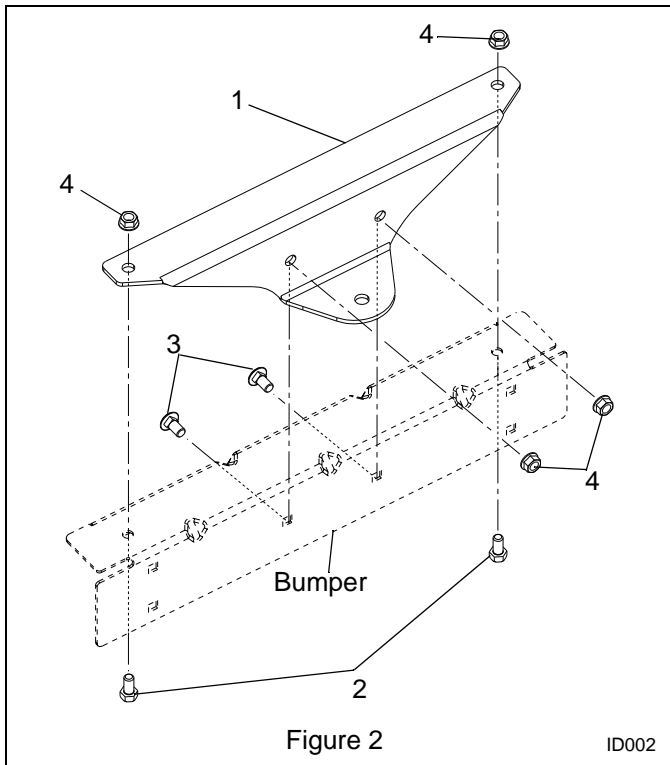


Figure 2

ID002

### Install Safety Decal on the Consumer Hitch Plate (Figure 3)

**IMPORTANT:** This hitch was developed for equipment rated to support a 30-pound tongue weight and a 300-pound towing capacity. Consult the original equipment manufacturer's owner's manual to determine if your unit can support this kit. Always follow all OEM installation, operation and safety requirements before using this kit.

**IMPORTANT:** Check with your machine's manufacturer for the maximum tongue and towing weights your machine can support. Never exceed the manufacturer's recommended tongue and towing capacities.

1. Clean Consumer Hitch Plate (item 1) with rubbing alcohol prior to installing the Trailer Hitch Decal (item 5).
2. Remove backing from the Trailer Hitch Decal (item 5) and then install the decal on the Consumer Hitch Plate (item 1).

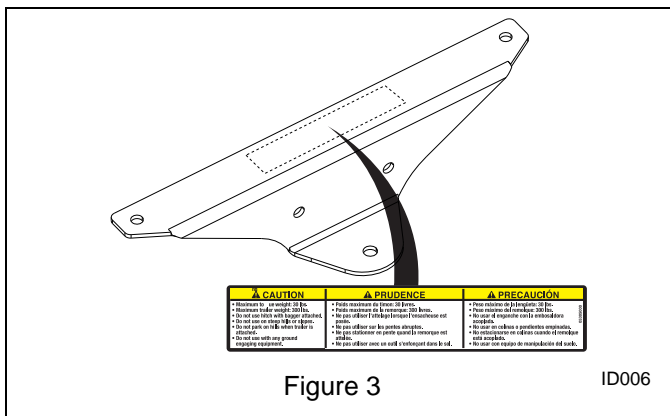


Figure 3

ID006

## SAFETY

Read and understand safety decal warnings prior to using the hitch. Always replace safety decal if missing or damaged (figure 4).

**IMPORTANT:** This hitch was developed for equipment rated to support a 30-pound tongue weight and a 300-pound towing capacity. Consult the original equipment manufacturer's owner's manual to determine if your unit can support this kit. Always follow all OEM installation, operation and safety requirements before using this kit.

**IMPORTANT:** Check with your machine's manufacturer for the maximum tongue and towing weights your machine can support. Never exceed the manufacturer's recommended tongue and towing capacities.

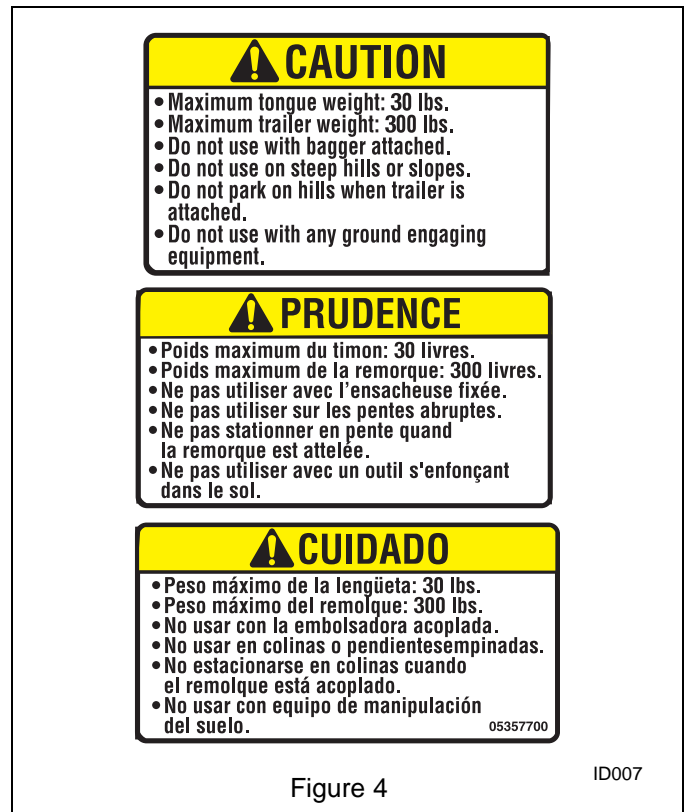


Figure 4

ID007

- Never carry passengers in or on towed attachments.
- Be aware of changes in stability when towing.
- Avoid backing up with towed attachments; towed attachments can jackknife.
- Mower deck attachment **MUST** remain on unit when hitch is used.
- Consult the original equipment manufacturer's owner's manual to determine if your unit can support this kit. Always follow all OEM installation, operation and safety requirements before using this kit.