

# Instruction Sheet

## Kit Number: 79206700

### HD/CZ, 100I AND 200 SERIES XDZ STRIPER KIT



**WARNING:** FAILURE TO FOLLOW INSTRUCTIONS could result in personal injury and/or damage to unit.

Read, understand, and follow all safety practices in Owner/Operator Manual before beginning.

#### Package Contents

Check the contents of your kit for the parts listed below (figure 1):

Item	Description	Qty	Ariens P/N
1	13/32" x 1-3/8" Flat Washer	3	06442400
2	Striper Bar	5	09286651
3	3/8" x 3/4" Self-Tapping screw	10	07415400
4	Rubber Striper	1	00461000

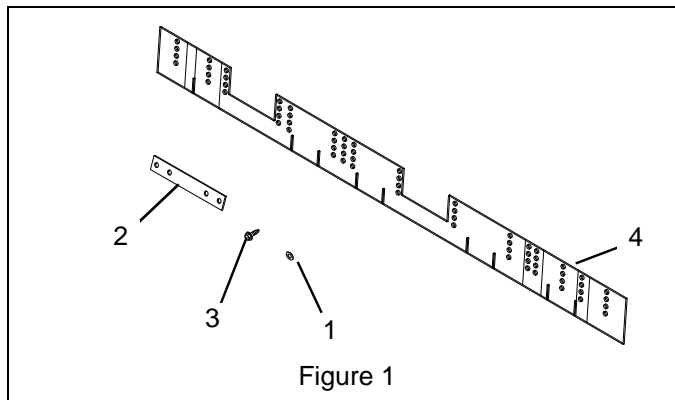


Figure 1

#### INSTALLATION



**WARNING:** Make sure jack stands are secure and can support the weight of the unit.

1. Raise and support the rear of the unit on jack stands.
2. Remove rear wheels to provide easy access to the rear of the deck.
3. Trim rubber striper (item 4) to fit deck size, per cut line marked on rubber striper, see figure 2.

**NOTE:** Holes may need to be added to the "Z" bar on back of deck.

**NOTE:** To determine which is the right and left side, look for the glossy rubber side of the rubber striper (item 4); this side goes against the deck. The right side of the unit is the side with the discharge chute on it.

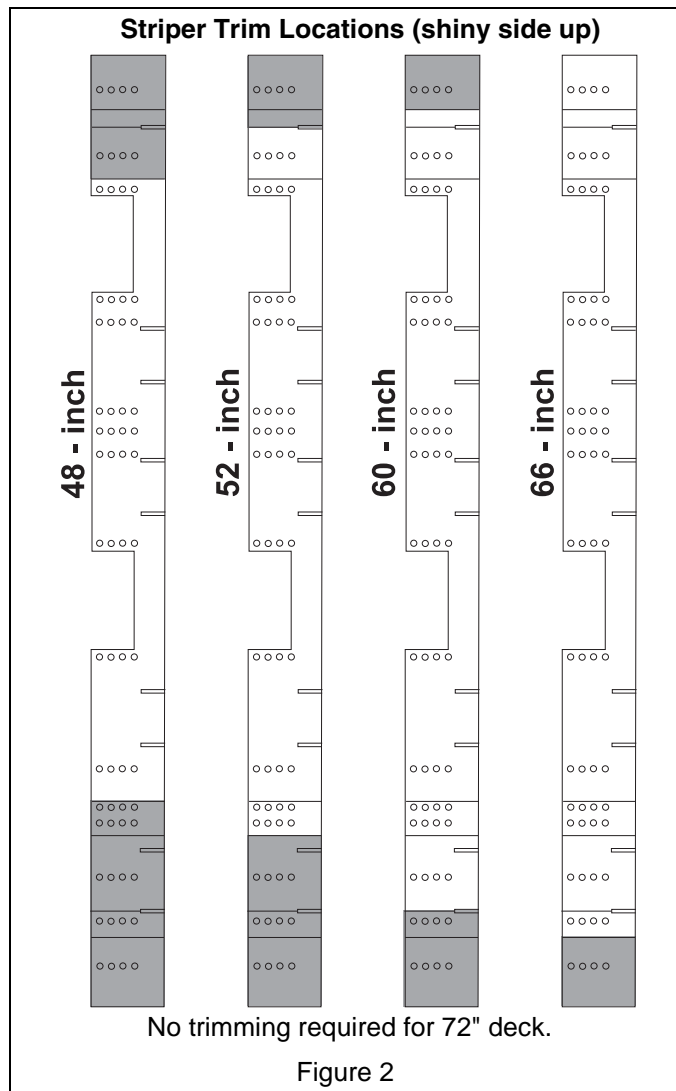


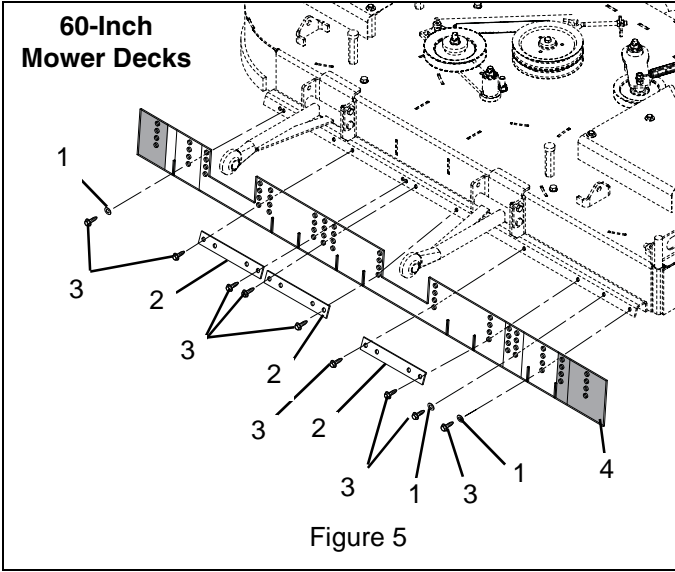
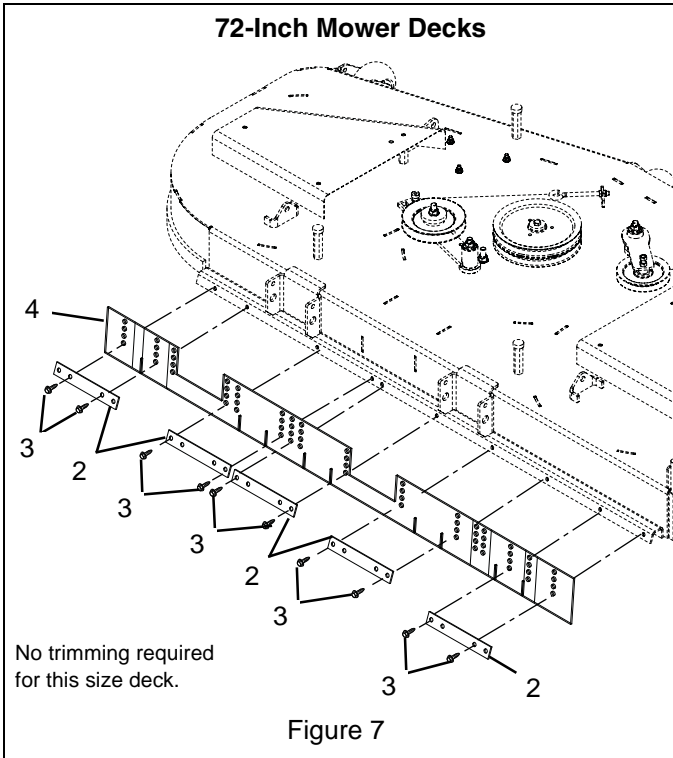
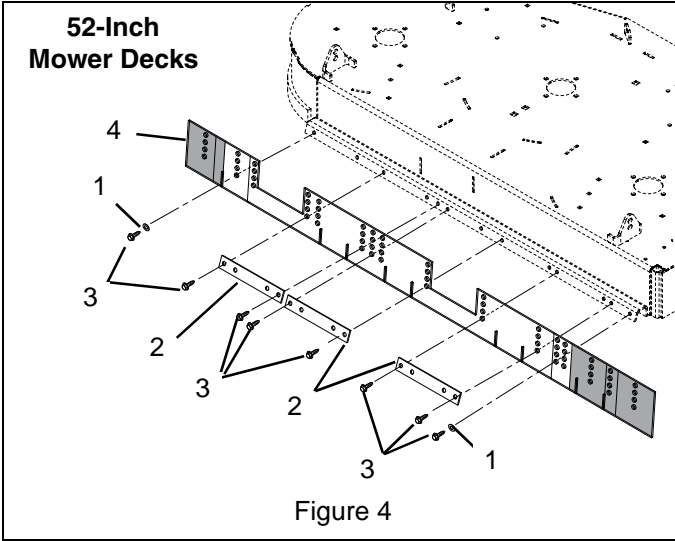
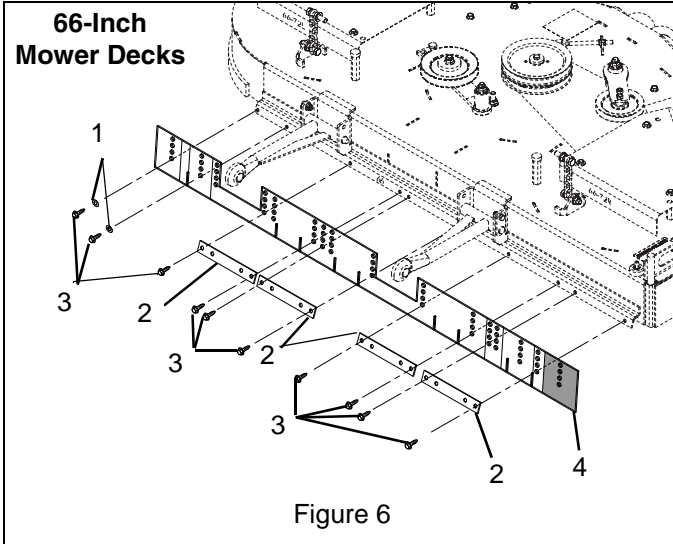
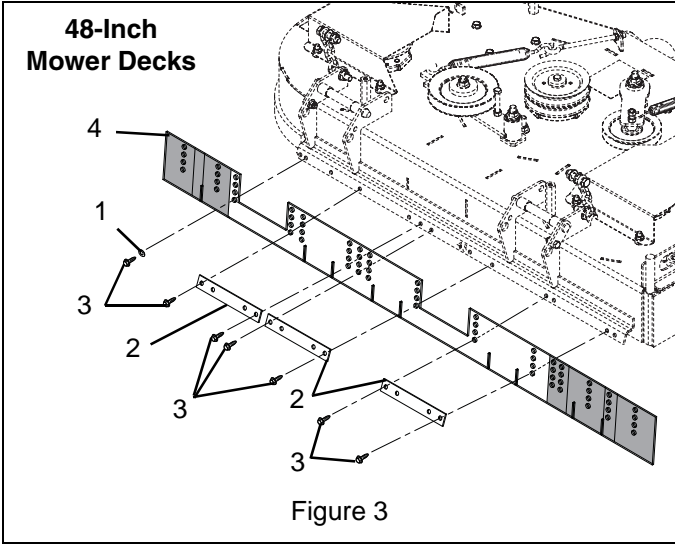
Figure 2

**NOTE:** Start at one side of the mower deck and install the rubber striper (item 4) with the glossy rubber side against the mower deck.

4. Install rubber striper (item 4) with 13/32" x 1-3/8" flat washer (item 1), steeper bars (item 2), and 3/8" x 3/4" self-tapping screws (item 3) on mower deck.

**NOTE:** See figure 3 for 48-inch mower decks, see figure 4 for 52-inch mower decks, see figure 5 for 60-inch mower decks, see figure 6 for 66-inch mower decks and see figure 7 for 72-inch mower decks.

5. Install rear wheels and lower unit to the ground.



**OPERATION**

Adjust the rubber stripers so it drags along the ground at different cutting heights. The more the rubber stripers drag, the more pronounced the striping.