

# Instruction Sheet

## Kit Number: 71513900

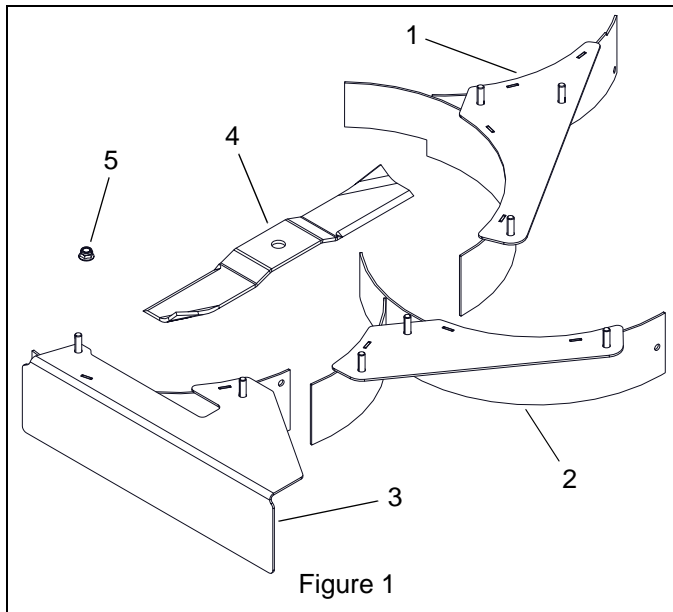
### 42-INCH MULCH KIT

**WARNING:** FAILURE TO FOLLOW INSTRUCTIONS could result in personal injury and/or damage to unit. Read, understand, and follow all safety practices in Operator's Manual before beginning.

#### Package Contents

Check the contents of your kit for the parts listed below. Also see Figure 1.

Item	Description	Qty	Ariens P/N
1	Left Mulch Baffle	1	04779051
2	Center Mulch Baffle	1	04779151
3	Right Mulch Baffle	1	04779251
4	15" Mulch Blade	3	04794200
5	5/16-18 Locking Flange Nut	8	06545400



#### INSTALLATION

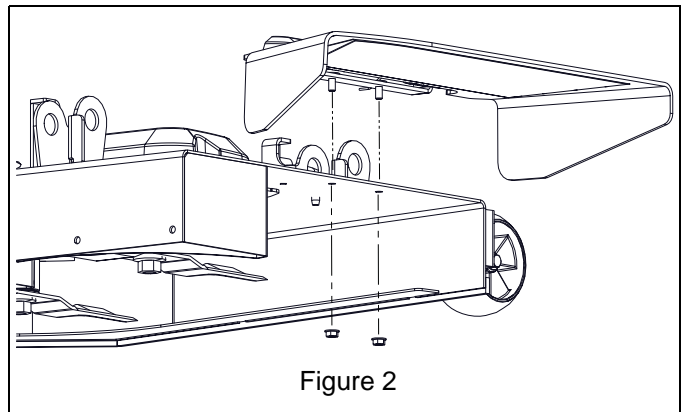
1. Stop engine, remove key, wait for moving parts to stop and hot parts to cool.
2. Disconnect spark plug wire.
3. Raise the front of the unit to gain access to the underside of the deck. Securely support the unit.

**WARNING:** ALWAYS chock wheels and know all jack stands are strong and secure and will hold weight of unit during maintenance.

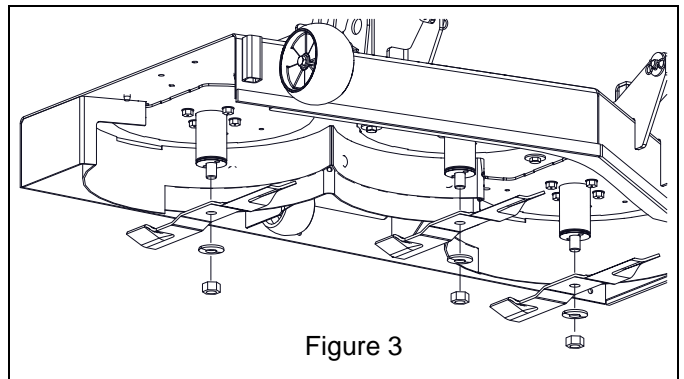
**CAUTION:** On multi-blade mowers, rotation of one mower blade will cause all mower blades to rotate.

**WARNING:** Mower blades are sharp and can cut you. Wrap the blade(s) or wear gloves, and use extra caution when servicing.

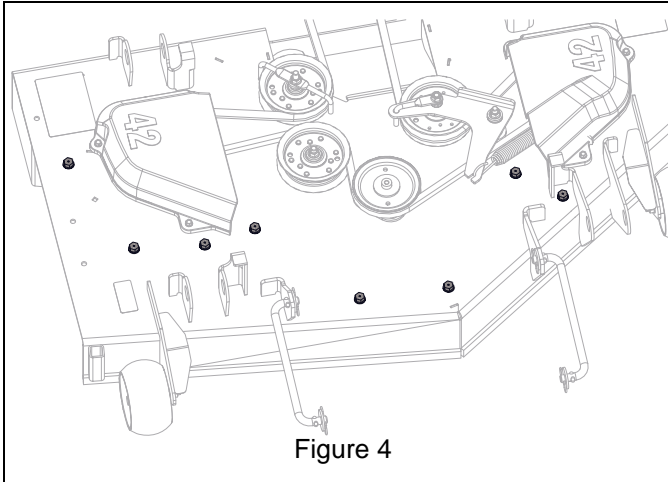
4. Remove two 5/16" locking top flange nuts retaining discharge chute assembly and remove discharge chute. Retain all parts for operation without mulch kit. See Figure 2.



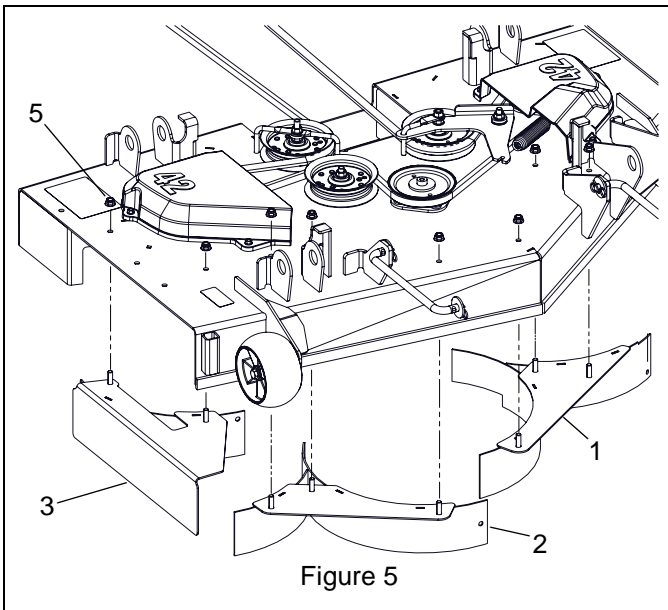
5. Remove three 5/8" hex nuts and washers retaining blades and remove blades. Retain blades for operation without mulch kit. Retain nuts and washers for kit installation. See Figure 3.



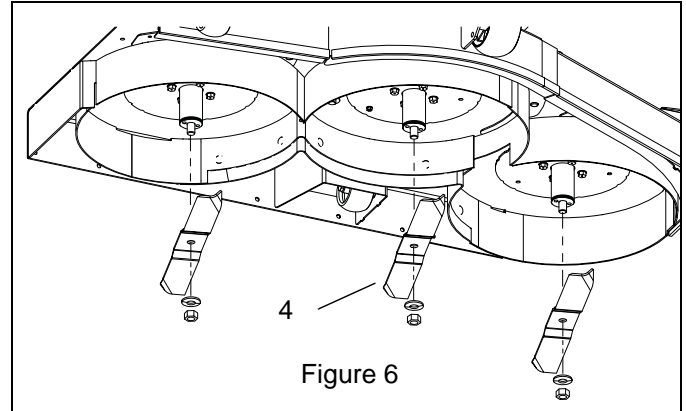
6. Remove eight 3/8 x 1/2" tapping screws from top of deck. Retain screws for operation without mulch kit. See Figure 4.



7. Install left, center and right baffles (Items 1, 2 and 3) from underside of deck. Retain with eight 5/16" locking flange nuts (item 5).



8. Install mulch blades (item 4) with washers and hex nuts removed earlier. Torque blade nuts to 100 – 120 lbf-ft (136 – 163 N•m). See Figure 6.



9. Return unit to operating position
10. Connect spark plug wire.

### MULCHING TIPS

1. Mow at full throttle.
2. Mow at half speed.
3. Mow dry grass only. Mowing wet grass causes clumping.
4. Keep mower blades sharp.
5. Cut no more than 1" (2.5 cm) at a time. For tall grass, mow at a higher cutting height, then make a second or third pass with the deck set to the desired cutting height.
6. Clean the underside of deck after each mowing.
7. DO NOT wash mower with high-pressure sprayer when cleaning deck or mower.