

Instruction Sheet

Kit Number: 79106800

HD / APEX HEADLIGHT KIT



WARNING: FAILURE TO FOLLOW INSTRUCTIONS could result in personal injury and/or damage to unit.

Read, understand, and follow all safety practices in Operator's Manual before beginning.

IMPORTANT: All references to the left, right, front or rear are given from the perspective of the operator in the operator's position, facing the direction of forward travel.

Package Contents

Check the contents of your kit for the parts listed below. Also see Figure 1.

Item	Description	Qty	Ariens P/N
1.	Headlight Wire Harness	1	05109600
2.	LED Headlight with Bracket	2	04821100
3.	Left Headlight Mounting Bracket	1	05121951
4.	Right Headlight Mounting Bracket	1	05122051
5.	Headlight Switch	1	08973300
6.	Cable Tie	3	07517300

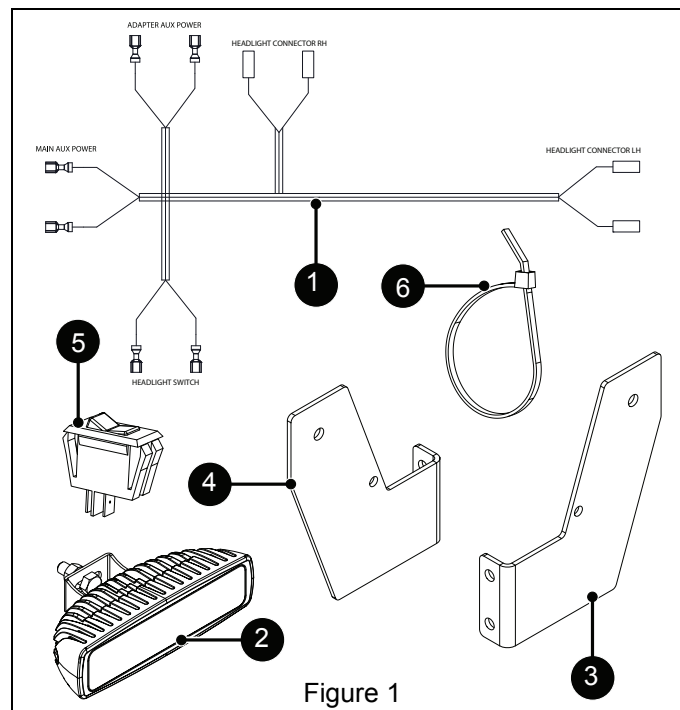


Figure 1

PROCEDURE

1. Stop engine, engage parking brake and remove key.
2. Wait for all moving parts to stop and for hot parts to cool.
3. Disconnect negative battery cable.
4. Remove and retain two tapping screws securing front of each steering lever pivot bracket. See Figure 2.

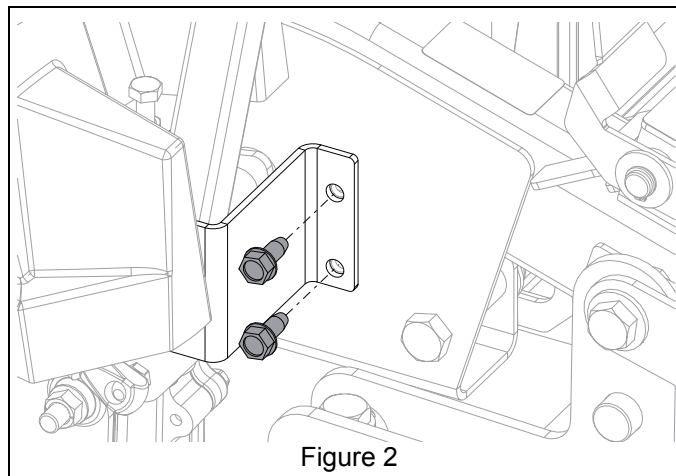


Figure 2

5. Secure left headlight mounting bracket (item 3) to left pivot bracket with original hardware.
6. Secure right headlight mounting bracket (item 4) to right pivot bracket with original hardware. See Figure 3.

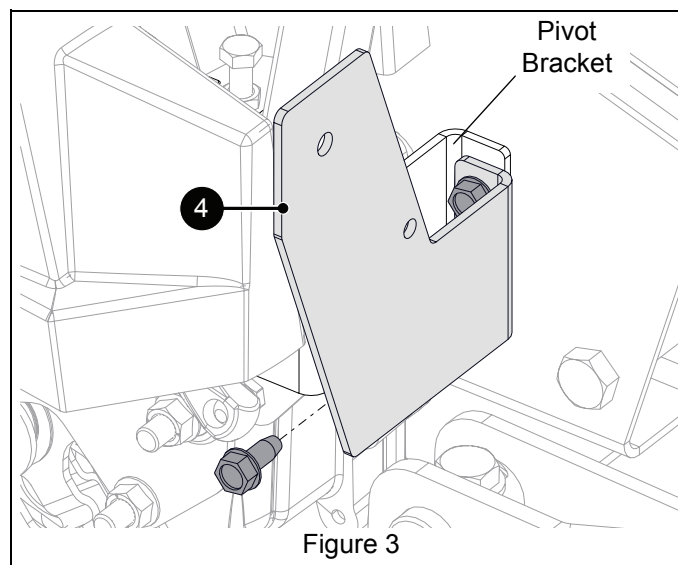
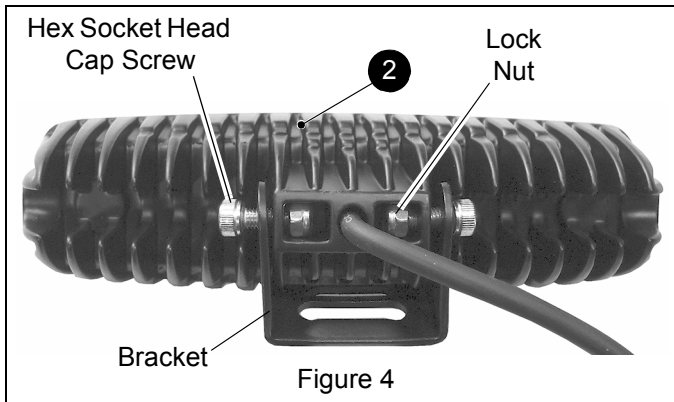
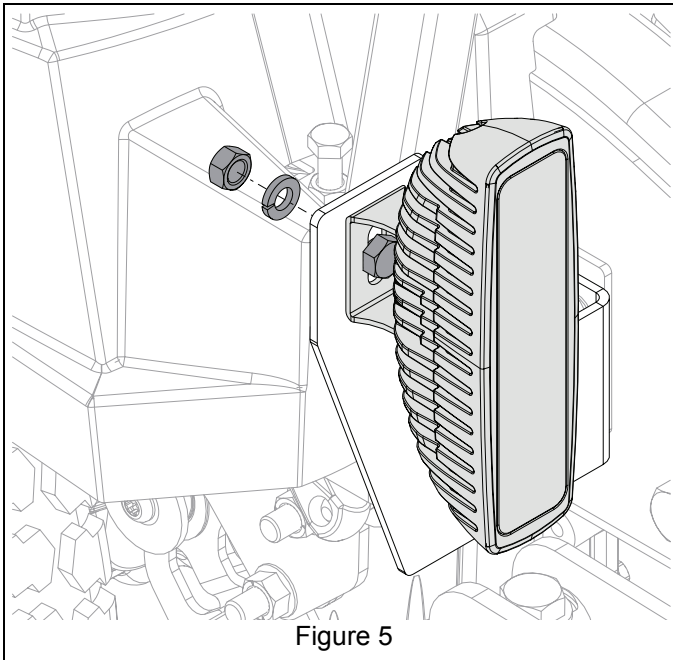


Figure 3

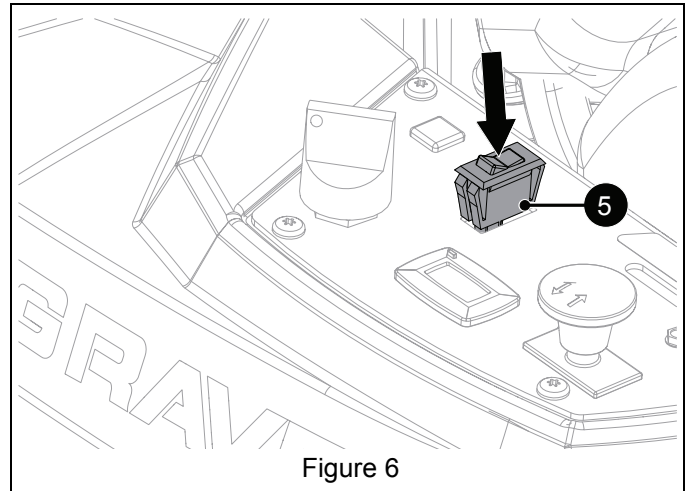
7. Secure brackets to headlights (item 2) with included hardware. DO NOT completely tighten hardware until headlights are adjusted. See Figure 4.



8. Secure each headlight to mounting brackets with included hardware, but DO NOT tighten. See Figure 5.

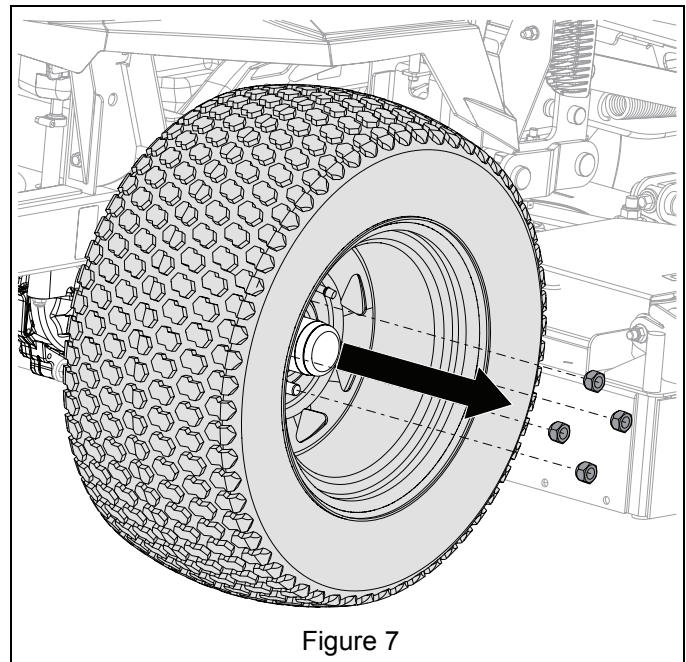


9. Remove blank plug from control panel and install headlight switch (item 5) in its place. See Figure 6.



10. Lift unit so drive wheels are off the ground.

11. Remove wheels. See Figure 7.





WARNING: AVOID INJURY. Position suitable supports, such as jack stands, under frame before routing wire harness under frame channel. See Figure 8.

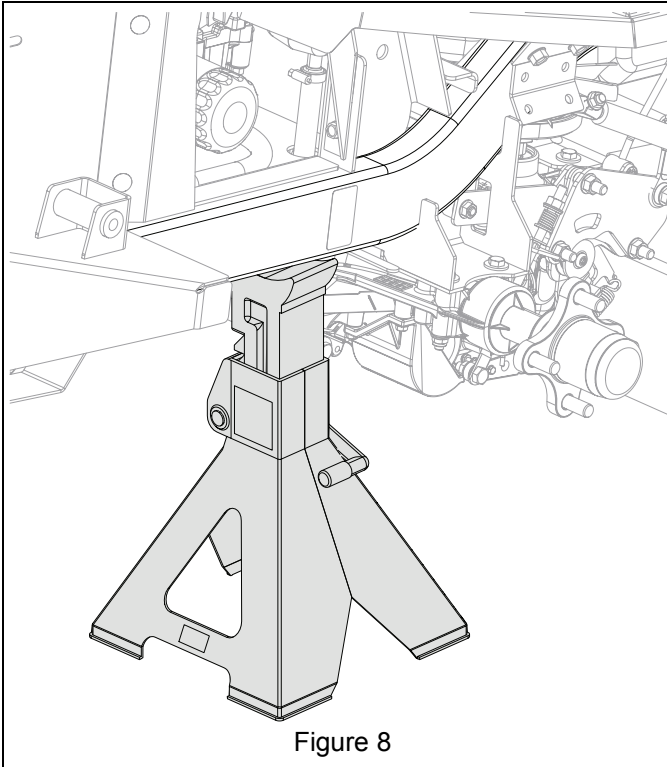


Figure 8

See Figure 9.

12. Route headlight cables under fenders and above fender mount brackets.
13. Secure each headlight cable to fender mount brackets with one cable tie (item 6).

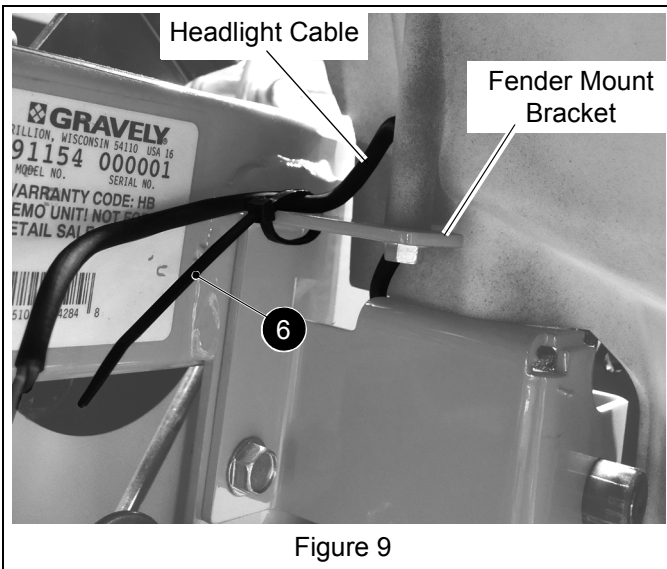


Figure 9

14. Route headlight wire harness (item 1) across right fender support bracket. See Figure 10.

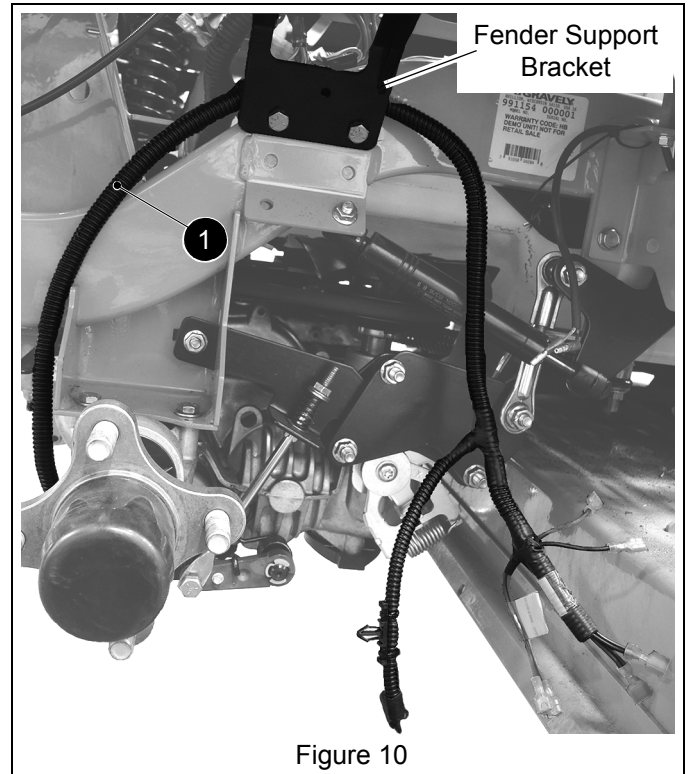


Figure 10

15. Insert cable end into frame channel. See Figure 11.

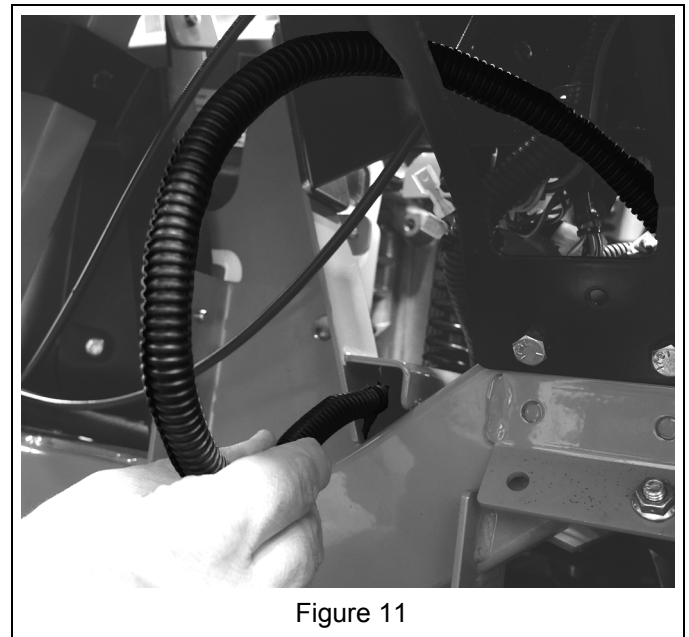
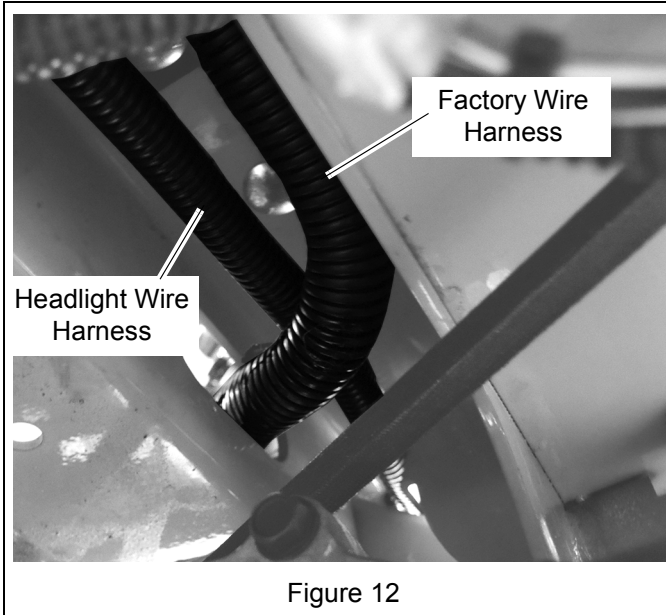
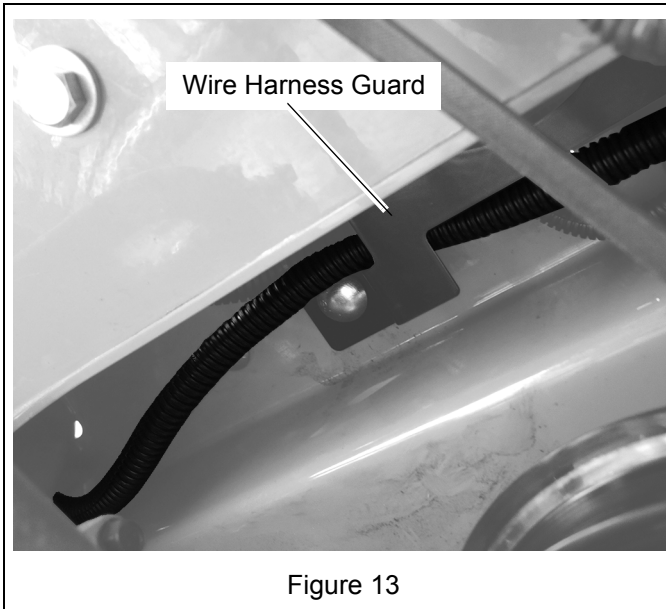


Figure 11

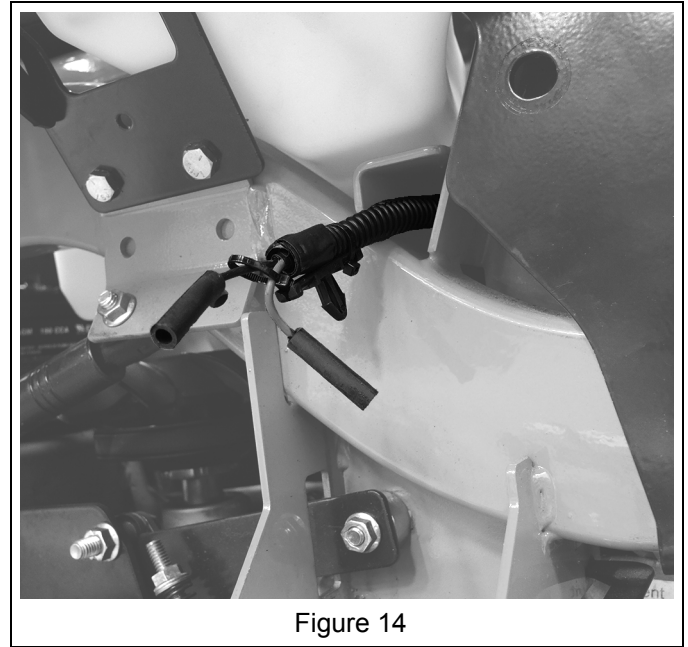
16. From under unit, route headlight wire harness above factory wire harness and through frame channel. See Figure 12.



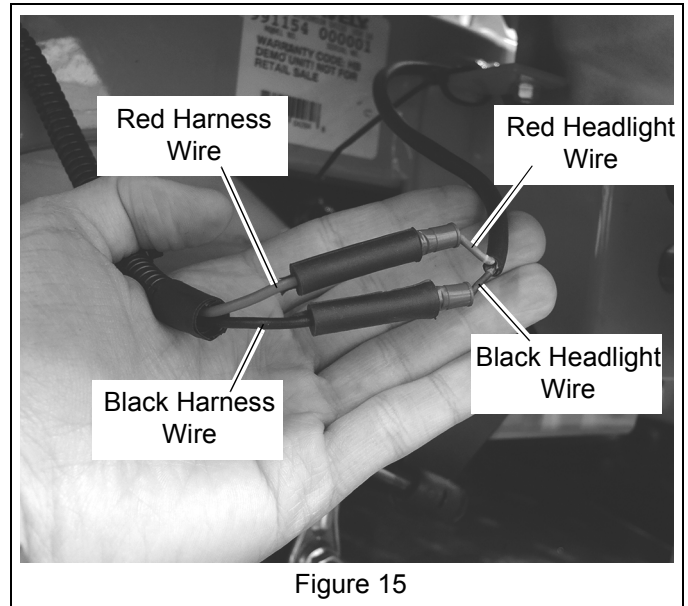
17. Route headlight wire harness through left side of wire harness guard. See Figure 13.



18. Route headlight wire harness end through left side of frame. See Figure 14.



19. Connect red headlight wires to red harness wires and black headlight wires to black harness wires. See Figure 15.



20. Insert tree harnesses into fender support bracket holes. See Figure 16.

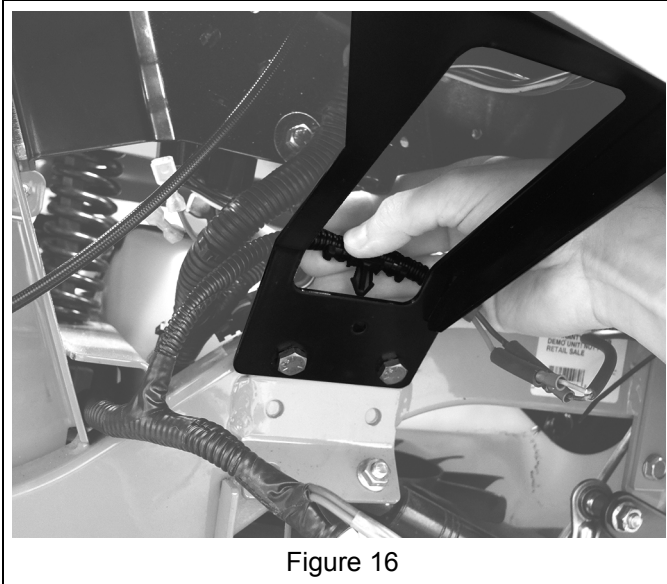


Figure 16

21. Connect red and purple wires marked "TO SWITCH" to headlight switch in control panel. See Figure 17.

Headlight switch does not have polarity. Purple wires and red wires may be connected to either headlight switch port.

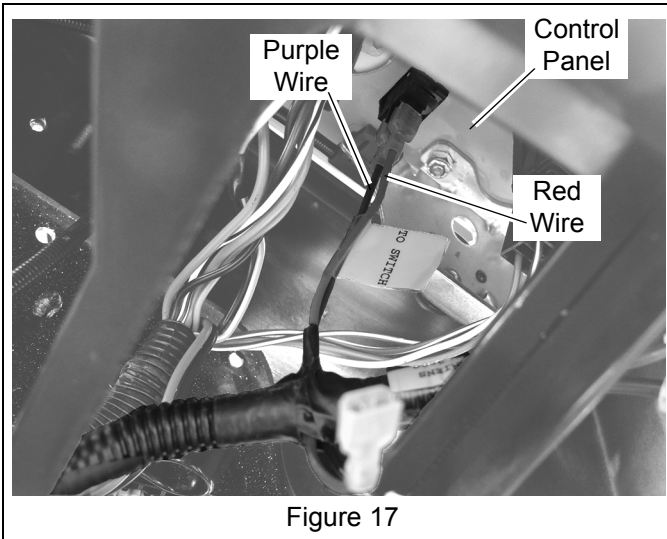


Figure 17

22. Connect purple and black wire groups to auxiliary ports on factory wire harness. See Figure 18.

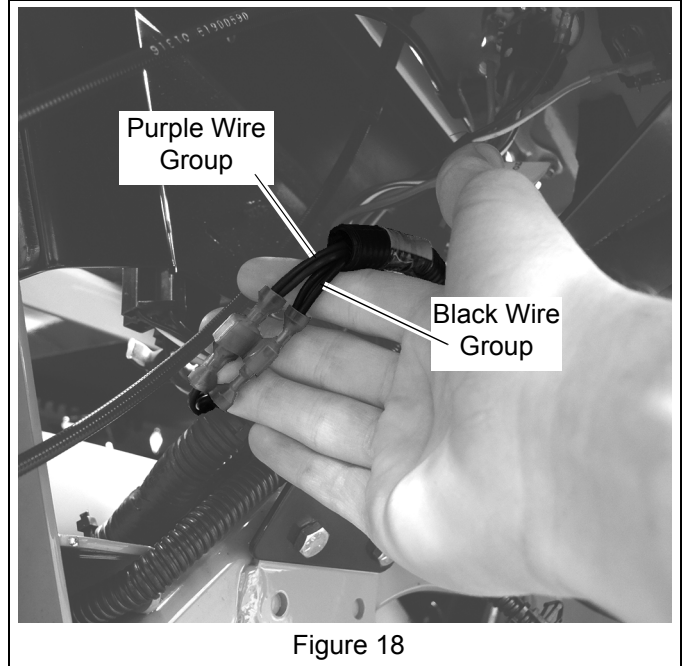


Figure 18

IMPORTANT: Remaining connectors on headlight wire harness remain disconnected as open auxiliary ports.

23. Reinstall drive wheels and lower unit to the ground.
24. Reconnect negative battery cable to battery terminal.
25. Turn ignition key to on position and turn on headlights.
26. Adjust headlights and tighten hardware.
27. Turn off headlights and turn ignition key to off position.