



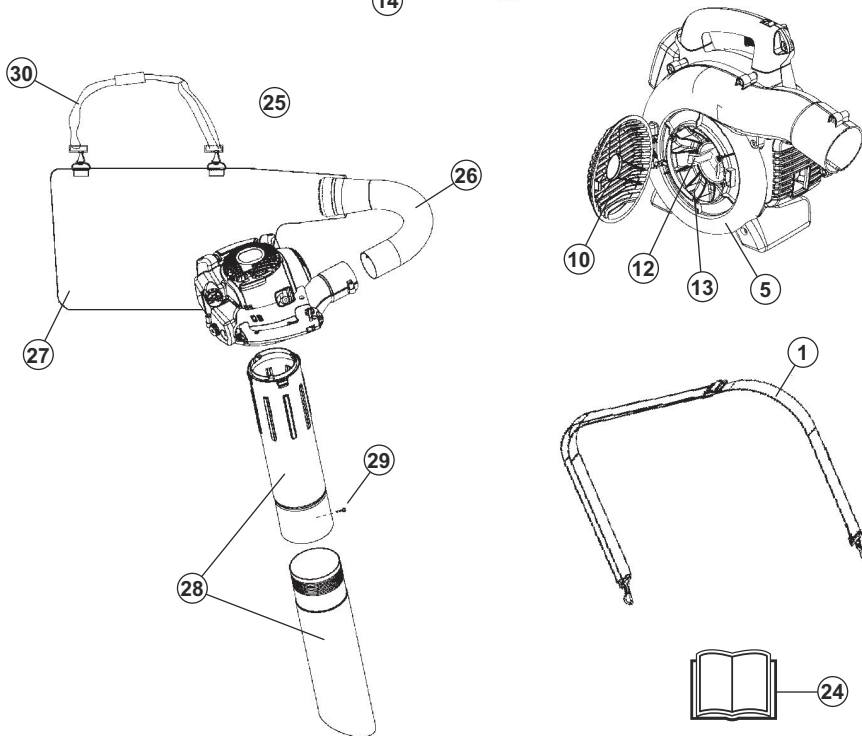
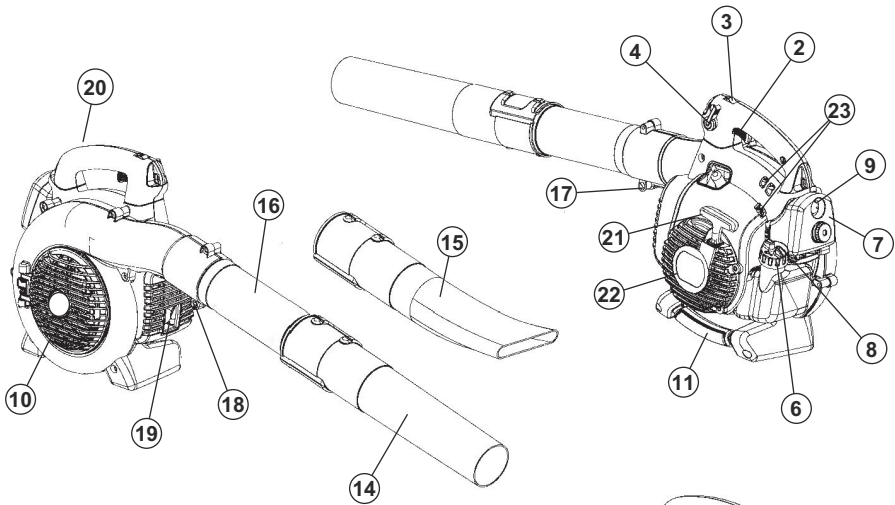
# Husqvarna®

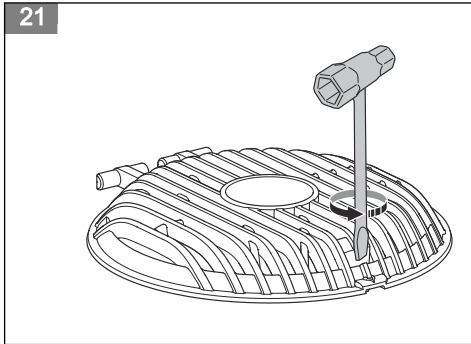
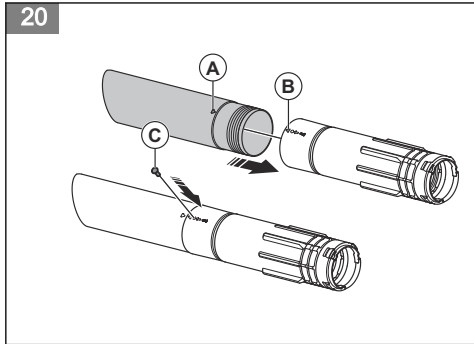
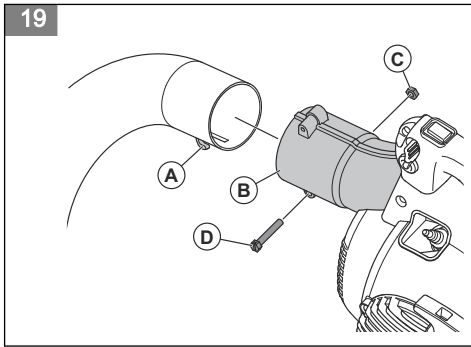
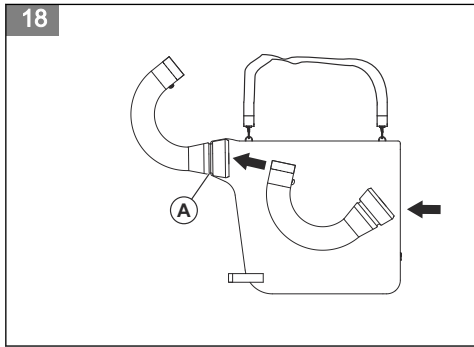
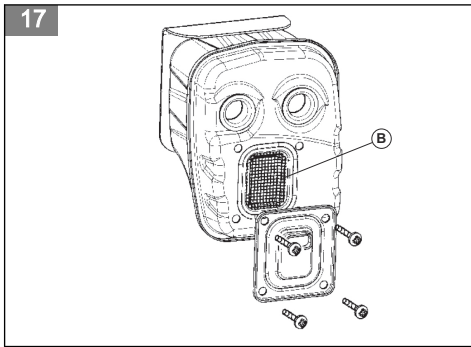
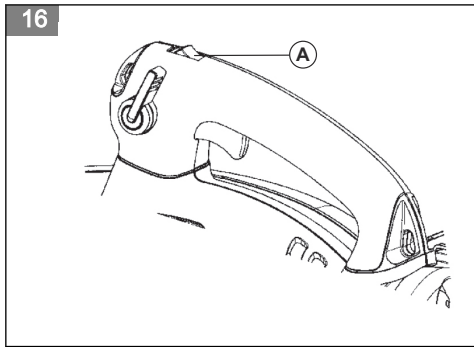
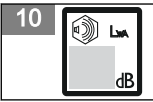
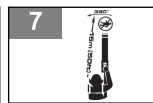


## 125B, 125BX, 125BVX

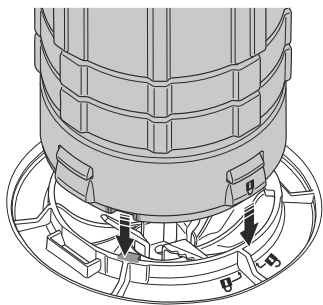


EN	Operator's manual	6-15
BG	Ръководство за експлоатация	16-27
BS	Korisnički priručnik	28-38
CS	Návod k použití	39-48
DA	Bruksanvisning	49-58
DE	Bedienungsanweisung	59-70
EL	Οδηγίες χρήσης	71-82
ES	Manual de usuario	83-93
ET	Kasutusjuhend	94-103
FI	Käyttöohje	104-113
FR	Manuel d'utilisation	114-124
HR	Priručnik za korištenje	125-134
HU	Használati utasítás	135-145
IT	Manuale dell'operatore	146-156
LT	Operatoriaus vadovas	157-167
LV	Lietošanas pamācība	168-178
NL	Gebruiksaanwijzing	179-189
NO	Bruksanvisning	190-199
PL	Instrukcja obsługi	200-210
PT	Manual do utilizador	211-221
RO	Instrucțiuni de utilizare	222-232
RU	Руководство по эксплуатации	233-244
SK	Návod na obsluhu	245-255
SL	Navodila za uporabo	256-265
SR	Priručnik za rukovaoca	266-276
SV	Bruksanvisning	277-286
TR	Kullanım kılavuzu	287-296
UK	Посібник користувача	297-308
JA	取扱説明書	309-319

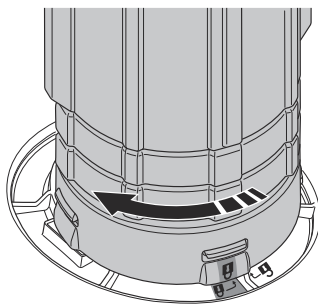




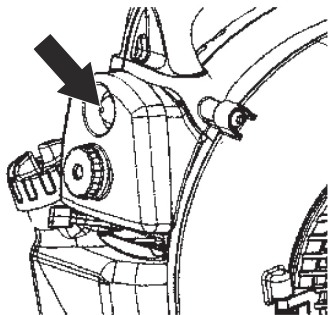
22



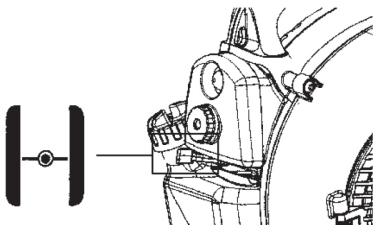
23



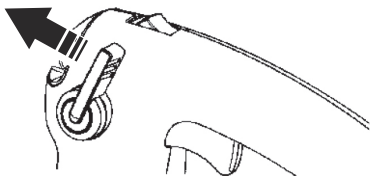
24



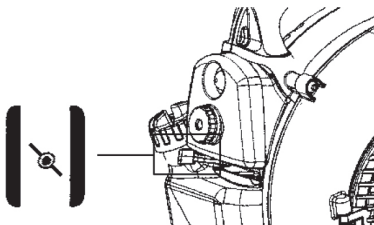
25



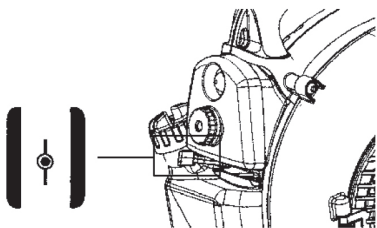
26



27



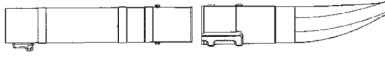
28



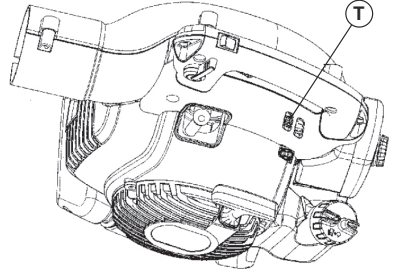
29



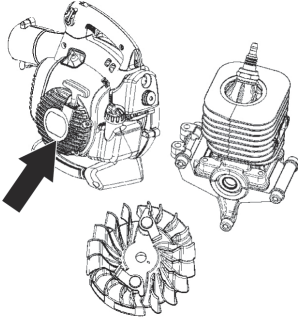
30



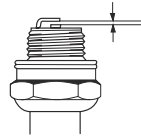
31



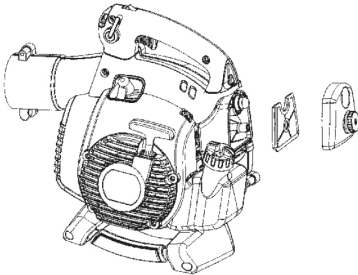
32



33



34



---

# Contents

---

<b>Introduction</b> .....	6	<b>Maintenance</b> .....	12
<b>Safety</b> .....	7	<b>Technical data</b> .....	13
<b>Assembly</b> .....	9	<b>Accessories</b> .....	15
<b>Operation</b> .....	10	<b>Contents of the EC Declaration of Conformity</b> .....	15

---

## Introduction

---

### Operator's manual

The initial language of this operator's manual is English. Operator's manuals in other languages are translations from English.

(Fig. 1)

1. Shoulder strap (125BVX)
2. Throttle trigger
3. STOP switch
4. Speed control
5. Fan housing
6. Fuel Tank Cap
7. Air filter
8. Choke
9. Primer bulb
10. Inlet cover
11. Vacuum handle (125BX and 125BVX)
12. Cutters (125BX and 125BVX)
13. Fan impeller
14. Standard nozzle
15. High velocity nozzle (125BX and 125BVX)
16. Blower tube
17. Tube clamp bolt
18. Tube clamp nuts
19. Muffler
20. Ground wire
21. Starter handle
22. Starter device
23. Carburetor adjustment screws
24. Operator's manual
25. Vacuum device with collection components that consists of items 26-30 below
26. Collection bag tube
27. Collection bag
28. Vacuum tube in two sections
29. Screw
30. Shoulder strap

### Symbols on the product

(Fig. 2) Warning

(Fig. 3) Read this manual

### Overview

(Fig. 4) Use approved hearing protection

(Fig. 4) Use approved eye protection

(Fig. 4) Use approved dust mask

(Fig. 5) Use approved protective gloves

(Fig. 6) The product can cause objects to eject, which can cause damage to the eyes

(Fig. 7) Safe distance

(Fig. 8) Do not go near the impeller as it turns

(Fig. 9) Do not let a child near the product

(Fig. 10) Sound power level

(Fig. 11) Noise level

(Fig. 12) Make sure that long hair is put up above your shoulders

(Fig. 13) The product agrees with the applicable EC directives

(Fig. 14) The product agrees with the applicable EAC directives

(Fig. 15) The product agrees with the applicable Ukraine directives

---

**Note:** Other symbols/decals on the product refer to certification requirements for other commercial areas.

---

### Euro V Emissions

---



**WARNING:** Tampering with the engine voids the EU type-approval of this product.

---

### Product liability

As referred to in the product liability laws, we are not liable for damages that our product causes if:

- the product is incorrectly repaired.
- the product is repaired with parts that are not from the manufacturer or not approved by the manufacturer.
- the product has an accessory that is not from the manufacturer or not approved by the manufacturer.
- the product is not repaired at an approved service center or by an approved authority.

---

## Safety

---

### Safety definitions

The definitions below give the level of severity for each signal word.



**WARNING:** Injury to persons.



**CAUTION:** Damage to the product.

**Note:** This information makes the product easier to use.

### General safety instructions



**WARNING:** Read the warning instructions that follow before you use the product.

- Use the product correctly. Injury or death is a possible result of incorrect use. Only use the product for the tasks found in this manual. Do not use the product for other tasks.
- Obey the instructions in this manual. Obey the safety symbols and the safety instructions. If the operator does not obey the instructions and the symbols, injury, damage or death is a possible result.
- Do not discard this manual. Use the instructions to assemble, to operate and to keep your product in good condition. Use the instructions for correct installation of attachments and accessories. Only use approved attachments and accessories.
- Do not use a damaged product. Obey the maintenance schedule. Only do the maintenance work that you find an instruction about in this manual. An approved service center must do all other maintenance work.
- This manual cannot include all situations that can occur when you use the product. Be careful and use your common sense. Do not operate the product or do maintenance on the product if you are not sure about of the situation. Speak to a product expert, your dealer, service agent or approved service center for information.
- Disconnect the spark plug cable before you assemble the product, put the product into storage or do maintenance.
- Do not use the product if it is changed from its initial specification. Do not change a part of the product without approval from the manufacturer. Only use parts approved by the manufacturer. Injury or death is a possible result of incorrect maintenance.
- Do not breathe in the fumes from the engine. Long-term inhalation of the engine's exhaust fumes is a health risk.
- Do not start the product indoors or near flammable material. The exhaust fumes are hot and can contain a spark which can start a fire. Not sufficient airflow can cause injury or death because of asphyxiation or carbon monoxide.
- When you use this product the engine makes an electromagnetic field. The electromagnetic field can cause damage to medical implants. Speak to your physician and medical implant manufacturer before you operate the product.
- Do not let a child operate the product. Do not let a person without knowledge of the instructions operate the product.
- Make sure that you always monitor a person, with decreased physical capacity or mental capacity, that uses the product. A responsible adult must be there at all times.
- Lock the product in an area that children and unapproved persons cannot access.
- The product can eject objects and cause injuries. Obey the safety instructions to decrease the risk of injury or death.
- Do not go away from the product when the engine is on.
- The operator of the product is responsible if an accident occurs.
- Make sure that parts are not damaged before you use the product.
- Make sure that you are at minimum 15 m (50 ft) away from other persons or animals before you use the product. Make sure that persons in the adjacent area know that you will use the product.
- Refer to national or local laws. They can prevent or decrease the operation of the product in some conditions.
- Do not use the product if you are fatigued or influenced by alcohol, drugs or medicine. They can have effects on your vision, alertness, coordination or judgment.

### Vibration safety

This product is for occasional operation only. Continuous or regular operation of the product can cause "white finger" or equivalent medical problems from vibrations. Examine the condition of your hands

and fingers if you operate the product continuously or regularly. If your hands or fingers have discoloration, have pain, tingle, or are numb, stop work and speak to a physician immediately.

## Safety instructions for operation of the blower

- Use the product only for blowing or removal of leaves and other debris on the ground.
- Do not operate the product when you are tired, ill, or have used alcohol, drugs or medicine.
- Do not let bystanders or animals to be less than 15 m (50 ft) from the operator.
- The product can eject objects at high speed that can ricochet and hit the operator. This can cause eye damage.
- Do not point the blower nozzle in the direction of persons or animals.
- Make sure that long hair is put above your shoulders.
- Stop the engine before you assemble or disassemble the accessories or other components.
- Do not operate the product without the guard.
- Do not operate the product if there are persons in the work area. Stop the product if a person goes into the work area.
- Do not operate the product in a space with unsatisfactory airflow. If the airflow is not sufficient, it can cause injury or death because of asphyxiation or carbon monoxide.
- The muffler is very hot while the product is on, after it stops and when it runs at idle speed. Be careful near flammable materials and flammable fumes.
- Do not touch the inlet cover area. Keep jewelry and loosely hanging clothing away from the inlet area.
- Always keep correct footing and operate the product only on safe and level surfaces. Slippery or not stable surfaces, such as ladders, can cause a loss of balance or control.
- Do not operate the product in a high area, such as on a roof.
- Secure the product during transport.
- Operate the product only at recommended hour. Obey the local regulations. Usual recommendations are 9:00 a.m. to 5:00 p.m. Monday through Saturday.
- Operate the product at the lowest possible throttle to do the work.
- Make sure that you cannot fall when you use the product. Do not tilt when you operate the product.
- Make sure that the product is in good condition before operation, specially the muffler, air intake and air filter.
- Use a rake or a broom to loosen ground debris before operation of the product.
- If the work area is dirty, spray it with a hose.

- Use the product as an alternative to a hose to save water.
- Blow debris safely. Look out for children, animals, open windows or vehicles.
- Do not point the product at easily damaged plants.
- Do not blow air in the direction of objects such as walls, large rocks, vehicles and fences.
- If you do work at inner corners blow from the corner and into the center of the work area. If not, debris can hit your face and cause eye injury.
- Use the full nozzle extension to keep the air stream near the ground.
- It is necessary that bystanders wear eye protection.
- Dispose the debris in the waste receptacles after use of the product.

## Safety instructions for operation of the vacuum

- Prevent damage to the fan. Do not vacuum large, solid objects such as wood, cans, rubber mulch or long pieces of string.
- Do not let the vacuum tube hit the ground.
- Stop the engine and disconnect the spark plug cap before you remove a blockage or clogged material.

## Personal protective equipment

- Always use correct personal protective equipment when you operate the product. The personal protective equipment does not erase the risk of injury. The personal protective equipment decreases the grade of injury if an accident occurs.
- Always use an approved eye protection while you operate the product.
- Do not operate the product with bare feet or with open shoes. Always use heavy-duty slip-resistant boots.
- Use heavy, long pants.
- If it is necessary, use approved protective gloves.
- Use a helmet if it is possible that objects fall on your head.
- Always use approved ear protection while you operate the product. Noise for a long period can cause noise-induced hearing loss.
- Always use an approved dust mask while you operate the product in dusty environments.
- Make sure that you have a first aid kit near.

## Protective devices on the product

- Make sure that you regularly do the maintenance to the product.
  - The life of the product increases.
  - The risk of accidents decreases.

Let an approved dealer or an approved service center regularly examine the product to do adjustments or repairs.



- Do not use a product with damaged protective equipment. If the product is damaged, speak to an approved service center.

## Stop switch

Start the engine. Make sure that the engine stops when you move the stop switch to the stop position. (Fig. 16)

## Muffler



**WARNING:** Do not touch the muffler if it is hot. The muffler is very hot while the engine runs and after it stops. If you touch the muffler, it can cause burns.

- Do not use an engine with a damaged muffler. A damaged muffler increases the noise level and the risk of fire. Keep a fire extinguisher near.
- Examine regularly that the muffler is attached to the product.
- Do not touch the engine or the muffler when the engine is on. Do not touch the engine or the muffler for a while after the engine stops. Hot surfaces can cause injuries.
- A hot muffler can cause a fire. Be careful, if you use the product near flammable liquids or fumes.
- Do not touch the parts in the muffler, if the muffler is damaged. The parts can contain some carcinogenic chemicals.
- Some blower models have a spark-arresting screen. Clean and replace the screen at specified intervals. See the Maintenance section (*Maintenance on page 12*).

(Fig. 17)

## Fuel safety

- Do not start the product if there is fuel or engine oil on the product. Remove the unwanted fuel/oil and let the product dry. Remove unwanted fuel from the product.
- If you spill fuel on your clothing, change clothing immediately.
- Do not get fuel on your body, it can cause injury. If you get fuel on your body, use a soap and water to remove the fuel.
- Do not start the engine if you spill oil or fuel on the product or on your body.

- Do not start the product if the engine has a leak. Examine the engine for leaks regularly.
- Be careful with fuel. Fuel is flammable and the fumes are explosive and can cause injuries or death.
- Do not breathe in the fuel fumes, it can cause injury. Make sure that there is a sufficient airflow.
- Do not smoke near the fuel or the engine.
- Do not put warm objects near the fuel or the engine.
- Do not add the fuel when the engine is on.
- Make sure that the engine is cool before you refuel.
- Before you refuel, open the fuel tank cap slowly and release the pressure carefully.
- Do not add fuel to the engine in an indoor area. Not sufficient airflow can cause injury or death because of asphyxiation or carbon monoxide.
- Tighten the fuel tank cap carefully or a fire can occur.
- Move the product at a minimum of 3 m (10 ft) from the position where you filled the tank before a start.
- Do not put too much fuel in the fuel tank.
- Make sure that a leak cannot occur when you move the product or fuel container.
- Do not put the product or a fuel container where there is an open flame, spark or pilot light. Make sure that the storage area does not contain an open flame.
- Only use approved containers when you move the fuel or put the fuel into storage.
- Empty the fuel tank before long-term storage. Obey the local law on where to dispose fuel.
- Clean the product before long-term storage.
- Remove the spark plug cable before you put the product into storage to make sure that the engine does not start accidentally.

## Safety instructions for maintenance



**WARNING:** Incorrect maintenance can result in serious engine damage or in serious injury.

The owner is responsible for the performance of all necessary maintenance as specified in the operator's manual. Disconnect the spark plug before maintenance. Do not disconnect the spark plug before carburetor adjustments.

## Assembly



**WARNING:** Read the safety chapter before you assemble the product.

### To install the blower tube and nozzle on the product

**Note:** The bolt must be sufficiently loose to put the blower tube into the blower outlet. Turn the bolt counterclockwise with a screwdriver to loosen it.

1. Align the rib on the upper blower tube with the groove in the blower outlet. Move the tube into position.
2. Turn the bolt clockwise with a screwdriver to attach the tube.

---

**Note:** Do not use any tool on the nut.

---

3. Align the slots on the lower blower tube with the tabs on the upper blower tube. Move the lower blower tube onto the upper blower tube.
4. Turn the lower blower tube clockwise until there is a click.

## To install the collection bag with different vacuum tubes

---



**WARNING:** Turn off the engine before you attach the the tubes to the product.

---

## To assemble the collection bag

1. Open the collection bag.
2. Insert the collection bag tube from inside of the bag to fit in the vacuum inlet opening.
3. Make sure that the elastic seats in the groove (A).
4. Close the zipper on the bag. (Fig. 18)

## To install the collection bag tube

1. Remove the blower tube, if it is attached.
2. Align the rib on the collection bag tube (A) with the groove in the blower outlet (B).

3. Push the collection bag tube fully onto the blower outlet.
4. Insert the nut (C) in its opening.
5. Install the screw (D) and tighten with a screwdriver to attach the tube. (Fig. 19)

## To attach the vacuum tubes together

1. Align the arrow on the lower vacuum tube (A) with the arrow on the upper vacuum tube (B).
2. Push the lower vacuum tube into the upper vacuum tube.
3. Use a screwdriver to install the self-tapping screw (C) that holds the tubes together. (Fig. 20)

## To install the vacuum tubes

1. Insert the tip of a screwdriver into the latch area of the vacuum inlet.
2. Turn the screwdriver to release the latch. (Fig. 21)
3. Hold the vacuum inlet cover open until the upper vacuum tube is in place.
4. Align the ribs on the inside of the vacuum inlet with the slots on the upper vacuum tube. Make sure the lock symbol on the tube aligns with the unlock symbol on the vacuum inlet. (Fig. 22)
5. Push the upper vacuum tube fully onto the vacuum inlet.
6. Turn the upper vacuum tube clockwise until the lock symbol on the tube aligns with the lock symbol on the vacuum inlet. The tube makes a click when it is correctly attached. (Fig. 23)

---

# Operation

---



**WARNING:** Read and understand the safety chapter before you operate the product.

---



**CAUTION:** Do not use gasoline with more than 10% ethanol concentration (E10). This can cause damage to the product.

---

## Fuel

### To use fuel

---



**CAUTION:** This product has a two-cycle engine. Use a mixture of gasoline and two-cycle engine oil. Make sure to use the correct quantity of oil in the mixture. Incorrect ratio of gasoline and oil can cause damage to the engine.

---



**CAUTION:** Do not use leaded gasoline. This can cause damage to the product.

---

- Always use new unleaded gasoline with a minimum octane number of 90 RON (87 AKI) and with less than 10% ethanol concentration (E10).
- Use gasoline with a higher octane number if you frequently use the product at continuously high engine speed.
- Always use a good quality unleaded gasoline/oil mixture.

## Gasoline

---



**CAUTION:** Do not use gasoline with an octane number less than 90 RON (87 AKI). This can cause damage to the product.

---

## Two-cycle engine oil

- Use only high quality two-cycle engine oil. Use only an air cooled engine oil.
- Do not use other types of oil.

- Mixture ratio 50:1 (2%)

Gasoline	Oil
1 U.S. Gal.	77 ml (2,6 oz)
1 UK Gal.	95 ml (3,2 oz)
5 l	100 ml (3,4 oz)

## To make the fuel mixture

**Note:** Always use a clean fuel container when you mix the fuel.

**Note:** Do not make more than 30 days quantity of fuel mixture.

1. Add half of the gasoline quantity.
2. Add the full quantity of oil.
3. Shake the fuel mixture to mix the contents.
4. Add the remaining gasoline quantity.
5. Shake the fuel mixture to mix the contents.
6. Fill the fuel tank.

## To add fuel

- Always use a fuel container with an antispill valve.
- If there is some fuel on the container, remove the unwanted fuel and let the container dry.
- Make sure that the area near the fuel tank cap is clean.
- Shake the fuel container before you add the fuel mixture to the fuel tank.

## To start and stop

### Before you start the engine

- Examine the product for missing, damaged, loose or worn parts.
- Examine the collection bag. Make sure that the collection bag is not damaged and that the zipper is closed.
- Examine the nuts, screws and bolts.
- Examine the air filter.
- Examine the throttle trigger for correct operation.
- Examine the stop switch for correct operation.
- Examine the product for fuel leaks.

### To start a cold engine



**WARNING:** Do not wind the starter rope around your arm.



**CAUTION:** Do not hold the product with your foot.



**CAUTION:** Do not pull the starter rope to the end position. Do not let go of the starter rope handle when the starter rope is extended. This can damage the product.

**Note:** If the engine stops, move the choke control to the closed position and do the starting steps again.

1. Fill the fuel tank with a clean fuel mixture.
2. Push the primer bulb 10 times. (Fig. 24)
3. Move the engine choke control to the FULL CHOKE (closed) position. (Fig. 25)
4. Push the variable speed control fully counterclockwise. (Fig. 26)
5. Use your left hand to hold the body of the machine on the ground.
6. Pull the starter rope handle until the engine tries to run. Do not pull more than 3 times.
7. Move the choke control to the 1/2 position and pull the starter rope handle until the engine starts and runs. (Fig. 27)
8. Run the engine for approximately 10 seconds.
9. Push and hold the throttle trigger fully through all remaining steps.
10. Move the choke control to the OFF CHOKE (opened) position. (Fig. 28)
11. Warm the engine up for 1 minute.

### To start a warm engine

1. Push and hold the throttle trigger.
2. Move the choke control to 1/2 position.
3. Pull the starter rope handle quickly while you pull the throttle trigger until the engine runs.
4. Move the choke control to the OFF CHOKE (opened) position.

### To stop the engine

- Push and release the engine STOP switch. The switch automatically returns to the ON position. Wait 7 seconds before you try to restart the product to make sure that the switch resets.

### To use a nozzle

- Use the standard nozzle when precision and high air stream concentration is necessary. (Fig. 29)
- Use the high velocity nozzle when a wider airstream and large air velocity is necessary. (Fig. 30)

## To adjust the blower nozzle

1. Twist the nozzle to the left to disengage the bayonet mount.
2. Move the nozzle to applicable position.
3. Twist the nozzle to the right until you feel a click.

## To vacuum

Before you vacuum, put on the necessary safety equipment.



**WARNING:** Make sure that the collection bag is not damaged and that the zipper is closed before use. Do not use a bag that is damaged. This prevents injury caused by flying debris. Left hand operation increases the risk. Do not let your body touch the exhaust outlet area.



**WARNING:** Do not start the blower if the inlet cover is open or damaged (except if the vacuum tube is fitted).

- During operation of the blower the collection bag must be held by the shoulder strap. The strap must be worn on the top of the shoulder.
- Start the blower. Obey the instructions in the start and stop section *To start and stop on page 11*. Read the safety instructions *Safety on page 7*.

## To empty the collection bag



**WARNING:** Always examine the collection bag. Make sure that it is not damaged and that the zipper is closed before use. Do not use a damaged bag. There is a risk of injury because of flying debris. Be careful if left hand operation is applied. Do not touch the exhaust outlet area.

1. Stop the product.
2. Open the zipper on the side.
3. Empty the collection bag.
4. Close the zipper.

## Maintenance



**WARNING:** Read and understand the safety chapter before you clean, repair or do maintenance on the product.

### Maintenance schedule

Make sure that you obey the maintenance schedule. The intervals are calculated from daily use of the product. The intervals are different if you do not use the product each day. Only do the maintenance work that is found in this manual. Speak to an approved service center about other maintenance work not found in this manual.

#### Daily maintenance

- Clean the external surfaces.
- Examine the speed control and the throttle trigger function. Replace damaged parts.
- Examine the stop switch. If it is necessary, replace it.
- Examine the idle speed.
- Clean the air filter. If it is necessary, replace it.
- Make sure that the inlet cover can be locked in closed position. Make sure that the impeller is clean.
- Tighten all nuts and screws.
- Make sure that the housings are free of cracks.
- Make sure that the collection bag is not damaged and that the zipper works. Replace the bag if necessary.

#### Weekly maintenance

- Examine the condition of the starter device, the starter rope and the tension spring. Replace all damaged parts.
- Examine the condition of the air intake at the starter device. Remove debris if the air intake is clogged.
- Clean the external side of the spark plug. Remove it and examine the electrode gap. Adjust the distance to 6 mm (0.024 in) or replace the spark plug.
- Clean the blades on the impeller.
- Clean the spark-arresting screen and replace it if necessary (not on mufflers with a catalytic converter).
- Clean the carburetor area.
- Clean the air filter.

#### Monthly maintenance

- Examine the starter rope handle and the starter rope.
- Clean the fuel tank.
- Clean the carburetor and the area around it.
- Clean the blades on the impeller.
- Examine the fuel lines for cracks or other damage. Change if necessary
- Change the fuel filter in the fuel tank.
- Examine all cables and connections.
- Replace the spark plug.
- Change the air filter.

#### Yearly maintenance

- Examine the spark plug.
- Clean the external surface of the carburetor and its adjacent areas.

- Clean the cooling system.
- Examine the spark arrester screen.
- Examine the fuel filter.
- Examine the fuel hose for damage.
- Examine all cables and connections.

### 50 hours maintenance

- Have an approved service center repair or replace the muffler.

## To adjust the idle speed

- Make sure that the air filter is clean and the air filter cover is attached before you adjust the idle speed.
- Adjust the idle speed with the idle adjustment screw T which is identified with "T" mark.
- The idle speed is correct when the engine operates smoothly in all positions.

(Fig. 31)

1. Turn the idle adjustment screw clockwise for higher speed.
2. Turn the idle adjustment screw counterclockwise for lower speed.

## To do maintenance on the spark arrester screen

Use a wire brush to clean the spark arrester screen.

## To clean the cooling system

(Fig. 32)

Clean the parts of the cooling system with a brush.

## To examine the spark plug



**CAUTION:** Always use the recommended spark plug type. Incorrect spark plug type can cause damage to the product.

- Examine the spark plug if the engine is low on power, is not easy to start or does not operate correctly at idle speed.
- To decrease the risk of unwanted material on the spark plug electrodes, obey these instructions:
  - a) Make sure that the idle speed is correctly adjusted.
  - b) Make sure that the fuel mixture is correct.
  - c) Make sure that the air filter is clean.
- If the spark plug is dirty, clean it and make sure that the electrode gap is correct, refer to *Technical data on page 13*. (Fig. 33)
- Replace the spark plug if it is necessary.

## To do the maintenance to the air filter

### To clean the air filter

1. Remove the air filter cover and remove the air filter. (Fig. 34)
2. Clean the air filter with warm soap water. Make sure that the air filter is dry before you install it.
3. Replace the air filter if it is too dirty to fully clean it. Always replace a damaged air filter.
4. If your product has a foam air filter, apply air filter oil. Only apply air filter oil to a foam filter. Do not apply oil to a felt filter.

## Technical data

	unit	125B (125B28HV)	125BX (125B28HV)	125BVX (125B28HV)
<b>Engine Specifications</b>				
Cylinder displacement	cm <sup>3</sup>	28	28	28
Electrode gap	mm	0.6	0.6	0.6
Fuel tank volume	cm <sup>3</sup>	500	500	500
Idle speed	min <sup>-1</sup>	2800 - 3200	2800 - 3200	2800 - 3200
Maximum power speed	min <sup>-1</sup>	8000	8000	8000
Power output	kW	0.8	0.8	0.8

Spark plug		Champion RCJ-6Y	Champion RCJ-6Y	Champion RCJ-6Y
Maximum speed blow mode	min <sup>-1</sup>	8600	8600	8600
Maximum speed vacuum mode	min <sup>-1</sup>	--	7500	7500
Emission durability period	h	125	125	125
<b>Noise and Vibration Data</b>				
Equivalent vibration level at handles with blower tubes and nozzle (original)- see note 1	m/s <sup>2</sup>	11.03	11.03	11.03
Equivalent vibration level at handles with vacuum tubes (original), left/right - see note 1	m/s <sup>2</sup>	--/--	12.16/12.29	12.16/12.29
Equivalent sound pressure level at the operators' ear measured according to ISO 22868 equipped with blower tubes and nozzle (original) - see note 3	dB(A)	96	96	96
Sound pressure at the bystander's ear measured according to ANSI B175.2 equipped with blower tubes and nozzle (original)	dB(A)	71	71	71
Sound power level, measured - see note 2	dB(A)	109	109	109
Sound power level, guaranteed (L <sub>WA</sub> ) - see note 2	dB(A)	112	112	112
<b>Product Dimensions</b>				
Weight (without fuel but with blower tube and standard nozzle fitted)	kg	4.3	4.4	4.4
<p><b>Note 1:</b> Reported data for equivalent vibration level has a typical statistical dispersion (standard deviation) of 1 m/s<sup>2</sup>.</p> <p><b>Note 2:</b> Noise emissions in the environment measured as sound power (L<sub>WA</sub>) in conformity with EC directive 2000/14/ EC. Reported sound power level for the machine has been measured with the original attachment that gives the highest level. The difference between guaranteed and measured sound power is that the guaranteed sound power also includes dispersion in the measurement result and the variations between different machines of the same model according to Directive 2000/14/EC.</p> <p><b>Note 3:</b> Reported data for equivalent sound pressure level for the machine has a typical statistical dispersion (standard deviation) of 1 dB (A).</p>				

Fan	Unit	125B	125BX	125BVX
Type		Radial fan	Radial fan	Radial fan
Max. air velocity, standard nozzle	km/h	217	217	217
Max. air velocity, high velocity nozzle*	km/h	273	273	273
Air volume blow mode	cfm	425	425	425
Air volume vacuum mode	cfm	--	445	445
*optional accessory for some models				

## Accessories

125B, 125BX, 125BVX	
<b>Approved accessories</b>	<b>Type</b>
Gutter clean-out kit	952 711 918
125BX, 125BX	
<b>Approved accessories</b>	<b>Type</b>
Vacuum kit	952 711 913
125B	
<b>Approved accessories</b>	<b>Type</b>
High velocity nozzle	545 119 501

## Contents of the EC Declaration of Conformity

We, Husqvarna AB, SE 561 82 Huskvarna, SWEDEN, declare under our sole responsibility that the represented product:

In accordance with directive 2000/14/EC, Annex V, the declared sound values are stated in the technical data section of this manual and in the signed EC Declaration of Conformity.

Description	Gasoline Blower/ Blower-Vacuum
Brand	Husqvarna
Platform / Type / Model	Platform125B28HV, representing model 125B, 125BX, 125BVX
Batch	Serial number dating 2019 and onwards

Intertek has carried out a voluntary examination on behalf of Husqvarna AB, providing a Certificate of conformity to EC Council directive 2006/42/EC for machinery.

The certificate, as provided on the signed EC Declaration of Conformity, is applicable to all manufacturing locations and Countries of Origin, as stated on the product.

The supplied Gasoline Blower/ Blower-Vacuum conforms to the example that underwent examination.

complies fully with the following EU directives and regulations:

Directive/Regulation	Description
2006/42/EC	"relating to machinery"
2014/30/EC	"relating to electromagnetic compatibility"
2000/14/EC	"relating to outdoor noise"
2011/65/EU	"restriction of use of certain hazardous substances"

Harmonized standards and/or technical specifications applied are as follows: EN ISO 12100, EN ISO 1186-1, CISPR 12, ISO 14982, EN 50581

---

# Содержание

---

Въведение.....	16	Поддръжка.....	23
Безопасност.....	17	Технически характеристики.....	25
Монтиране.....	20	Принадлежности.....	26
Експлоатация.....	21	Съдържание на ЕО декларацията за съответствие.....	27

---

## Въведение

---

### Инструкция за експлоатация

Оригиналната версия на настоящата инструкция за експлоатация е на английски език. Инструкциите за (Фиг. 1)

1. Ремък за рамо (125BVX)
2. Спусък на газта
3. Превключвател за спиране
4. Управление на оборотите
5. Капак на вентилатора
6. Капачка на резервоара за гориво
7. Въздушен филтър
8. Дросел
9. Подкачваща помпа
10. Входен капак
11. Вакуумна дръжка (125BVX и 125BVX)
12. Резци (125BVX и 125BVX)
13. Ротор на вентилатора
14. Стандартен накрайник
15. Високоскоростен накрайник (125BVX и 125BVX)
16. Продухваща тръба
17. Болт на скобата на тръбата
18. Застопоряващи гайки на тръбата
19. Ауслух
20. Заземяващ проводник
21. Дръжка на стартера
22. Стартерно устройство
23. Регулиращ винт на карбуратора
24. Инструкция за експлоатация
25. Вакуумно устройство с компоненти за събиране, състоящо се от елементите от 26 до 30, изброени по-долу
26. Тръба на торбичката за събиране
27. Торбичка за събиране
28. Вакуумна тръба от две секции
29. Винт
30. Презраменен ремък

### Символи върху машината

- (Фиг. 2) Предупр.  
(Фиг. 3) Прочетете това ръководство

експлоатация на други езици са преведени от английски.

### Преглед

- (Фиг. 4) Използвайте одобрени антифони
- (Фиг. 4) Използвайте одобрени защитни средства за очите
- (Фиг. 4) Използвайте одобрена респираторна маска
- (Фиг. 5) Използвайте одобрени защитни ръкавици
- (Фиг. 6) Възможно е изхвърчане на предмети от продукта, което може да доведе до увреждане на очите
- (Фиг. 7) Безопасно разстояние
- (Фиг. 8) Не се приближавайте до ротора, когато работи
- (Фиг. 9) Не допускайте деца близо до продукта
- (Фиг. 10) Сила на звука
- (Фиг. 11) Ниво на шума
- (Фиг. 12) Уверете се, че дългата коса е вдигната над раменете
- (Фиг. 13) Продуктът е в съответствие с приложимите директива на ЕО
- (Фиг. 14) Продуктът е в съответствие с приложимите директиви на ЕАИО
- (Фиг. 15) Продуктът е в съответствие с приложимите директиви на Украйна

---

**Забележка:** Останалите символи/стикери на продукта се отнасят до изисквания по отношение на сертификати за други търговски зони.

---

### Емисии Euro V



**ПРЕДУПРЕЖДЕНИЕ:** Намесата в двигателя прави невалидно ЕС одобрението на тип на този продукт.

---



## Отговорност за продукта

Както е посочено в законите за отговорност за вреди, причинени от стоки, ние не носим отговорност за щети, причинени от нашия продукт, ако:

- продуктът е неправилно ремонтиран.
- продуктът е ремонтиран с части, които не са от производителя или не са одобрени от производителя.

- продуктът има принадлежност, която не е от производителя или не е одобрена от производителя.
- продуктът не е ремонтиран в одобрен сервизен център или от одобрен орган.

---

## Безопасност

---

### Дефиниции за безопасност

Дефинициите по-долу предоставят нивото на сериозност за всяка една предупредителна дума.



**ПРЕДУПРЕЖДЕНИЕ:** Нараняване на лица.



**ВНИМАНИЕ:** Повреда на продукта.

**Забележка:** Тази информация прави продукта по-лесен за използване.

### Общи инструкции за безопасност



**ПРЕДУПРЕЖДЕНИЕ:** Прочетете следващите предупредителни указания, преди да използвате машината.

- Използвайте правилно продукта. Неправилната употреба може да доведе до нараняване или смърт. Използвайте продукта само за задачите, описани в настоящето ръководство. Не използвайте продукта за други задачи.
- Спазвайте инструкциите в тази инструкция за експлоатация. Спазвайте символите за безопасност и инструкциите за безопасност. Ако операторът не спазва инструкциите и символите, резултатът може да е нараняване, повреда или смърт.
- Не извършвайте това ръководство. Следвайте инструкциите за монтиране, използване и поддръжка на продукта в добро състояние. Следвайте инструкциите за правилен монтаж на приспособленията и принадлежностите. Използвайте само одобрени приспособления и принадлежности.
- Не използвайте повреден продукт. Спазвайте графика за техническо обслужване. Извършвайте само дейностите по техническо обслужване, за които ще намерите инструкция в това ръководство. Всички други дейности по техническото обслужване трябва да бъдат извършени от одобрен сервизен център.
- Това ръководство не може да включва всички ситуации, които биха могли да възникнат при използване на продукта. Бъдете внимателни и действайте разумно. Не работете с продукта и не извършвайте техническо обслужване на същия, ако не сте наясно със ситуацията. За да получите информация, говорете с експерт по продукта, Вашия дистрибутор, сервиз или с одобрен сервизен център.
- Разкачете проводника на запалителната свещ преди сглобяване, складиране или техническо обслужване на продукта.
- Не използвайте продукта, ако е променен спрямо първоначалните му спецификации. Не сменяйте някоя част на продукта без одобрение от производителя. Използвайте само одобрени от производителя части. Неправилното техническо обслужване е възможно да доведе до нараняване или смърт.
- Не вдишвайте изпарения от двигателя. Продължителното вдишване на отработените газове от двигателя е опасно за здравето.
- Не стартирайте продукта на закрито или близо до запалими материали. Отработените газове са горещи и биха могли да съдържат искри, които да предизвикат пожар. Недостатъчният въздушен поток може да доведе до нараняване или смърт поради задушаване или въглероден окис.
- Когато използвате този продукт, двигателят създава електромагнитно поле. Електромагнитното поле може да предизвика повреда на медицински импланти. Говорете с Вашия лекар или с производителя на медицинския имплант, преди да започнете работа с продукта.
- Не позволявайте на деца да работят с продукта. Не позволявайте на лица, които не са запознати с инструкциите, да работят с продукта.
- Уверете се, че винаги наблюдавате лица с намален физически или умствен капацитет, които използват продукта. През цялото време трябва да присъства отговорен възрастен.
- Заклучете продукта в зона, до която нямат достъп деца и неодобрени лица.

- Възможно е от продукта да изхвърчат предмети и да причинят наранявания. Спазвайте инструкциите за безопасност, за да намалите опасността от нараняване или смърт.
- Не се отдалечавайте от продукта, когато двигателят работи.
- Операторът на продукта е отговорен при възникването на инцидент.
- Уверете се, че частите не са повредени, преди да използвате продукта.
- Уверете се, че сте на разстояние от най-малко 15 m (50 ft) от други лица или животни, преди да използвате продукта. Уверете се, че хората, които се намират близо до Вас, са наясно, че ще използвате продукта.
- Направете справка с националните или местните закони. Те биха могли да предотвратят или ограничат работата на продукта при определени условия.
- Не използвайте продукта, ако сте уморен(а) или сте под въздействието на алкохол, наркотици или лекарства. Те могат да окажат въздействие върху Вашето зрение, бдителност, координация или преценка.
- Спирайте двигателя преди монтиране или демонтиране на приспособления или други компоненти.
- Не работете с продукта без предпазителя.
- Не работете с продукта, ако има хора в работната зона. Спрете продукта, ако в работната зона влезе човек.
- Не работете с продукта на места с недостатъчен въздушен поток. Недостатъчният въздушен поток може да доведе до нараняване или смърт поради задушаване или вдишване на въглероден окис.
- Ауспухът е извънредно горещ, докато продуктът работи, включително при обороти на празен ход, както и след като спре. Внимавайте в близост до запалителни материали или изпарения.
- Не докосвайте зоната на входния капак. Украшения и широки дрехи трябва да са далеч от зоната на входния отвор.
- Винаги стъпвайте стабилно и работете с продукта само на сигурна и равна повърхност. Хлъзгавите или нестабилни повърхности, като например стълби, могат да предизвикат загуба на баланс или контрол.
- Не работете с продукта, когато се намирате на високо място, например на покрив.
- Обезопасете продукта при транспортиране.
- Работете с продукта само в препоръчаните часове. Съблюдавайте местните разпоредби. Обикновено препоръките са от 09:00 до 17:00 ч. от понеделник до петък.
- При работа с продукта използвайте най-ниските възможни обороти, необходими за конкретната работа.
- Уверете се, не можете да паднете, когато използвате продукта. Не накланяйте при работа с продукта.
- Уверете се, че продуктът е в добро състояние, преди да започнете работа с него, най-вече ауспухът, смукателният въздухопровод и въздушният филтър.
- Разровете отпадъците по земята с гребло или метла, преди да включите продукта.
- Ако работната площ е замърсена, напръскайте я с маркуч.
- Продуктът може да се използва вместо маркуч за спестяване на вода.
- Издухвайте отпадъците безопасно. Внимавайте за деца, домашни любимци, отворени прозорци или превозни средства.
- Не насочвайте продукта към крехки растения.
- Не насочвайте духалката към обекти от рода на отени, големи камъни, превозни средства или огради.
- Ако работите в ъглови части, издухвайте от ъгъла към центъра на работната зона. В противен случай е възможно отпадъците да Ви ударят в лицето и да предизвикат увреждане на очите.

## Безопасност при вибрация

Този продукт е само за сравнително рядка работа. Продължителната или редовната работа с продукта може да доведе до „вибрационна болест“ или подобни медицински проблеми, причинени от вибрации. Ако работите продължително или често с продукта, проверявайте състоянието на ръцете и пръстите си. Ако ръцете или пръстите ви се обезцветяват, имате болка, изтръпване или схващане, спрете работа и незабавно се консултирайте с лекар.

## Инструкции за безопасност при работа с компресорното оборудване

- Използвайте продукта само за издухване или отстраняване на листа и други отпадъци по земята.
- Не работете с продукта, когато сте уморени, болни или под въздействието на алкохол, наркотици или лекарства.
- Не допускайте странични наблюдатели, нито животни на по-малко от 15 m (50 ft) от оператора, използващ продукта.
- Възможно е от продукта да изхвърчат предмети с висока скорост, които може да рикошират и да ударят оператора. Това може да доведе до увреждане на очите.
- Не насочвайте накрайника на компресорното оборудване по посока хора или животни.
- Уверете се, че дългата коса е вдигната над раменете.
- Използвайте продукта само за издухване или демонтиране на приспособления или други компоненти.
- Не работете с продукта без предпазителя.
- Не работете с продукта, ако има хора в работната зона. Спрете продукта, ако в работната зона влезе човек.
- Не работете с продукта на места с недостатъчен въздушен поток. Недостатъчният въздушен поток може да доведе до нараняване или смърт поради задушаване или вдишване на въглероден окис.
- Ауспухът е извънредно горещ, докато продуктът работи, включително при обороти на празен ход, както и след като спре. Внимавайте в близост до запалителни материали или изпарения.
- Не докосвайте зоната на входния капак. Украшения и широки дрехи трябва да са далеч от зоната на входния отвор.
- Винаги стъпвайте стабилно и работете с продукта само на сигурна и равна повърхност. Хлъзгавите или нестабилни повърхности, като например стълби, могат да предизвикат загуба на баланс или контрол.
- Не работете с продукта, когато се намирате на високо място, например на покрив.
- Обезопасете продукта при транспортиране.
- Работете с продукта само в препоръчаните часове. Съблюдавайте местните разпоредби. Обикновено препоръките са от 09:00 до 17:00 ч. от понеделник до петък.
- При работа с продукта използвайте най-ниските възможни обороти, необходими за конкретната работа.
- Уверете се, не можете да паднете, когато използвате продукта. Не накланяйте при работа с продукта.
- Уверете се, че продуктът е в добро състояние, преди да започнете работа с него, най-вече ауспухът, смукателният въздухопровод и въздушният филтър.
- Разровете отпадъците по земята с гребло или метла, преди да включите продукта.
- Ако работната площ е замърсена, напръскайте я с маркуч.
- Продуктът може да се използва вместо маркуч за спестяване на вода.
- Издухвайте отпадъците безопасно. Внимавайте за деца, домашни любимци, отворени прозорци или превозни средства.
- Не насочвайте продукта към крехки растения.
- Не насочвайте духалката към обекти от рода на отени, големи камъни, превозни средства или огради.
- Ако работите в ъглови части, издухвайте от ъгъла към центъра на работната зона. В противен случай е възможно отпадъците да Ви ударят в лицето и да предизвикат увреждане на очите.

- Използвайте пълния удължител на крайника, така че въздушният поток да бъде близо до земята.
- Необходимо е страничните наблюдатели да носят защитни средства за очите.
- След използване на продукта извърлете отпадъците в контейнерите за боклук.

## Инструкции за безопасност при работа със смукалката

- Пазете вентилатора от повреда. Не засмуквайте големи и твърди отпадъци от сорта на парчета дърво, кутии, каучуков мулч или дълги части от въже.
- Не позволявайте на вакуумната тръба да докосне земята.
- Спрете двигателя и разкачете лулата на запалителната свещ, преди да премахнете пречката или задръстващия материал.

## Лични предпазни средства

- Винаги използвайте правилните лични предпазни средства, когато работите с продукта. Личните предпазни средства не елиминират опасността от нараняване. Личните предпазни средства намаляват степента на нараняване при възникването на инцидент.
- Винаги използвайте одобрени защитни средства за очите, когато работите с продукта.
- Не работете с продукта с голи крака или с отворени обувки. Винаги използвайте устойчиви на плъзгане ботуши за тежък режим на работа.
- Използвайте дълги панталони от здрав плат.
- Ако е необходимо, използвайте одобрени защитни ръкавици.
- Използвайте каска, ако е възможно, за да се предпазите от падащи на главата предмети.
- Винаги използвайте одобрени антифони, когато работите с продукта. Продължителният шум може да доведе до загуба на слуха, причинена от шум.
- Винаги използвайте одобрена респираторна маска, докато работите с продукта в запрашени среди.
- Уверете се, че близо до Вас има комплект за първа помощ.

## Устройства за безопасност на продукта

- Уверете се, че редовно извършвате техническо обслужване на продукта.
  - Срокът на експлоатация на продукта се увеличава.
  - Рискът от злополука намалява.

- Позволете на одобрен дилър или одобрен сервизен център да извършва редовна проверка на продукта за корекции или ремонтни дейности.
- Не използвайте продукт с повредени предпазни средства. Ако продуктът е повреден, се консултирайте с одобрен сервизен център.

## Превключвател за спиране

Стартирайте двигателя. Уверете се, че двигателят спира, когато преместите превключвателя за спиране в стоп позиция. (Фиг. 16)

## Ауспух



**ПРЕДУПРЕЖДЕНИЕ:** Не докосвайте ауспуха, ако е горещ. Ауспухът е горещ по време на работа, но и след като двигателят спре. При докосване на ауспуха има възможност от изгаряния.

- Не използвайте двигател с повреден ауспух. Повреденият ауспух повишава нивото на шума и риска от пожар. Съхранявайте наблизко пожарогасител.
- Редовно проверявайте дали ауспухът е закрепен към продукта.
- Не докосвайте двигателя или ауспуха, когато двигателят е включен. Не докосвайте двигателя или ауспуха за известно време след спиране на двигателя. Горещите повърхности могат да причинят нараняване.
- Горещият ауспух може да причини пожар. Бъдете внимателни, ако използвате продукта близо до запалителни течности или изпарения.
- Не докосвайте частите в ауспуха, ако е повреден. Частите могат да съдържат канцерогенни химикали.
- Някои модели компресорно оборудване имат предпазна искрогасителна мрежа. През определени интервали я почиствайте и подменяйте. Вижте раздел "Поддръжка" (*Поддръжка на страница 23*). (Фиг. 17)

## Безопасност при работа с гориво

- Не включвайте продукта, ако върху него има гориво или моторно масло. Отстранете нежеланото гориво/масло и оставете продукта да изсъхне. Отстранете нежеланото гориво от продукта.
- Ако разлеете гориво по дрехите си, сменете ги незабавно.
- Внимавайте да не попадне гориво върху тялото Ви, това може да доведе до телесни увреждания. Ако гориво попадне върху тялото Ви, използвайте сапун и вода, за да го отстраните.
- Не стартирайте двигателя, ако разлеете масло или гориво върху продукта или тялото си.

- Не стартирайте продукта, ако от двигателя има теч. Проверявайте редовно двигателя за течове.
- Внимавайте с горивото. Горивото е запалимо, изпаренията са взривоопасни и могат да причинят телесни увреждания или смърт.
- Не вдишвайте горивните изпарения, това може да доведе до телесни увреждания. Уверете се, че има достатъчен въздушен поток.
- Не пушете близо до горивото или двигателя.
- Не поставяйте топли предмети близо до горивото или двигателя.
- Не добавяйте гориво, когато двигателят работи.
- Уверете се, че двигателят е истинал преди зареждане с гориво.
- Преди зареждане с гориво отворете бавно капачката на резервоара за гориво и освободете внимателно налягането.
- Не добавяйте гориво към двигателя на закрито. Недостатъчният въздушен поток може да доведе до нараняване или смърт поради задушаване или възглероден окис.
- Затегнете внимателно капачката на резервоара за гориво или може да възникне пожар.
- Преди да включите двигателя, преместете продукта на най-малко 3 m (10 ft) от мястото, където сте заредили резервоара.
- Не препълвайте резервоара за гориво.
- Уверете се, че няма течове, когато местите продукта или резервоара за гориво.
- Не поставяйте продукта или резервоара за гориво на място, където има открит огън, искри или постоянна малка горелка. Уверете се, че в зоната за съхранение няма открит огън.
- При преместване или съхранение на гориво използвайте само одобрени за целта контейнери.
- Изпразнете резервоара за гориво преди дългосрочно съхранение. Спазвайте местните закони за това къде да изхвърляте горивото.
- Почистете продукта преди дългосрочно съхранение.
- Отстранете проводника на запалителната свещ, преди да оставите продукта за съхранение, за да се уверите, че двигателят няма случайно да се включи.

## Инструкции за безопасност за поддръжка



**ПРЕДУПРЕЖДЕНИЕ:** Неправилно техническо обслужване може да доведе до сериозна повреда на двигателя или до сериозно нараняване.

Собственикът носи отговорност за спазването на всички необходими операции по техническото обслужване, описани в инструкцията за експлоатация. Разкачете запалителната свещ преди техническо обслужване. Не разкачвайте свещта преди регулиране на карбуратора.

## Монтиране



**ПРЕДУПРЕЖДЕНИЕ:** Прочетете главата за безопасност преди сглобяване на продукта.

### Монтиране на продухващата тръба и крайника на продукта

**Забележка:** Болтът трябва да бъде достатъчно разхлабен, за да може продухващата тръба да влезе в изхода на компресорното оборудване. С отвертка завъртете болта обратно на часовниковата стрелка, за да го разхлаете.

1. Подравнете реброто на горната продухваща тръба с жлебовете на изхода на компресорното оборудване. Преместете тръбата в позиция.
2. С отвертка завъртете болта по часовниковата стрелка, за да закачите тръбата.

**Забележка:** Не използвайте никакви инструменти за гайката.

3. Подравнете прорезите на долната продухваща тръба с издатините на горната продухваща

тръба. Преместете долната продухваща тръба върху горната продухваща тръба.

4. Завъртете долната продухваща тръба по часовниковата стрелка, докато щракне.

### За поставяне на торбичката за събиране при различни вакуумни тръби



**ПРЕДУПРЕЖДЕНИЕ:** Изключете двигателя на продукта, преди да закачите тръбите.

### За монтиране на торбичката за събиране

1. Отворете торбичката за събиране.
2. Вкарайте тръбата на торбичката за събиране от вътрешността на торбичката така, че да попадне във входа за вакуум на торбичката.
3. Уверете се, че еластичните части попадат в жлеба (А).
4. Затворете ципа на торбичката. (Фиг. 18)

## За монтаж на тръбата на торбичката за събиране

1. Премахнете продухващата тръба, ако е прикачена.
2. Подравнете реброто на тръбата на торбичката за събиране (А) с жлеба на изхода на компресорното оборудване (В).
3. Натиснете докрай тръбата на торбичката за събиране върху изхода на компресорното оборудване.
4. Вкарайте гайката (С) в нейния отвор.
5. Поставете винта (D) и затегнете с отвертка, за да прикрепите тръбата. (Фиг. 19)

## За прикрепване на вакуумните тръби заедно

1. Подравнете стрелката на долната вакуумна тръба (А) със стрелката на горната вакуумна тръба (В).
2. Натиснете долната вакуумна тръба в горната вакуумна тръба.
3. Използвайте отвертка, за да поставите самонарезния винт (С), който задържа тръбите заедно. (Фиг. 20)

## За поставяне на вакуумните тръби

1. Вкарайте върха на отвертка на мястото за закачване на отвора за вакуум.
2. Завъртете отвертката, за да освободите заключващия механизъм. (Фиг. 21)
3. Дръжте отворен капака на входа за вакуум, докато наместите горната тръба за вакуум.
4. Подравнете ребрата отвътре на входа за вакуум с прорезите на горната вакуумна тръба. Уверете се, че символът за заключване на тръбата се подравнява със символа за отключване на входа за вакуум. (Фиг. 22)
5. Натиснете горната вакуумна тръба докрай върху входа за вакуум.
6. Завъртете горната вакуумна тръба по часовниковата стрелка, докато символът за заключване на тръбата се подравни със символа за заключване на входа за вакуум. Тръбата издава щракващ звук, когато е прикрепена правилно. (Фиг. 23)

## Експлоатация



**ПРЕДУПРЕЖДЕНИЕ:** Прочетете и разберете раздела с инструкции за безопасност преди работа с продукта.



**ВНИМАНИЕ:** Не използвайте оловен бензин. Това може да повреди продукта.

## Гориво

### Използване на гориво



**ВНИМАНИЕ:** Този продукт разполага с двутактов двигател. Използвайте смес от бензин и моторно масло за двутактови двигатели. Не забравяйте да използвате правилното количество от масло в сместа. Грешното съотношение между бензин и масло може да доведе до повреда на двигателя.

- Винаги използвайте пресен безоловен бензин с минимално октаново число от 90 RON (87 AKI) и с по-малко от 10% концентрация на етанол (E10).
- Използвайте бензин с по-високо октаново число, ако често използвате продукта при постоянно високи обороти на двигателя.
- Винаги използвайте смес от безоловен бензин/масло с добро качество.

### Масло за двутактови двигатели

- Използвайте само висококачествено масло за двутактови двигатели. Използвайте само моторно масло за двигатели с въздушно охлаждане.
- Не използвайте други типове масла.
- Съотношението за смесване 50:1 (2%)

## Бензин



**ВНИМАНИЕ:** Не използвайте бензин с октаново число по-малко от 90 RON (87 AKI). Това може да повреди продукта.



**ВНИМАНИЕ:** Не използвайте бензин с повече от 10% концентрация на етанол (E10). Това може да повреди продукта.

Бензин	Масло
1 американски галон	77 ml (2,6 oz)
1 имперски галон	95 ml (3,2 oz)
5 l	100 ml (3,4 oz)

## За да направите горивната смес

**Забележка:** Винаги използвайте чист контейнер за гориво, когато смесвате горивото.

**Забележка:** Не правете повече от 30-дневно количество от горивна смес.

1. Добавете половината от бензиновата смес.
2. Добавете цялото количество масло.
3. Разклатете горивната смес, за да смесите съдържанието.
4. Добавете останалото количество бензин.
5. Разклатете горивната смес, за да смесите съдържанието.
6. Напълнете резервоара за гориво.

## За да добавите гориво

- Винаги използвайте резервоар за гориво с клапан против разливане.
- Ако върху резервоара има гориво, отстранете нежеланото гориво и оставете резервоара да изсъхне.
- Уверете се, че зоната близо до капачката на резервоара за гориво е чиста.
- Разклатете резервоара за гориво, преди да добавите горивната смес към резервоара за гориво.

## За стартиране и спиране

### Преди стартиране на двигателя

- Проверете продукта за липсващи, повредени, разхлабени или износени части.
- Проверете торбичката за събиране. Уверете се, че торбичката за събиране не е повредена и че ципът е затворен.
- Проверете гайките, винтовете и болтовете.
- Проверете въздушния филтър.
- Проверете, че регулаторът на газта работи правилно.
- Проверете превключвателя за спиране за правилна работа.
- Проверете продукта за теч на гориво.

### Включване при студен двигател



**ПРЕДУПРЕЖДЕНИЕ:** Не навивайте въжето на стартера около ръката си.



**ВНИМАНИЕ:** Не подпирайте продукта с крак.



**ВНИМАНИЕ:** Не издърпвайте въжето на стартера докрай. Не пускайте дръжката на въжето на стартера, когато е изтеглено. Това може да повреди продукта.

**Забележка:** Ако двигателят спре, върнете смукача на позиция "затворено" и повторете стъпките на стартиране.

1. Напълнете резервоара за гориво с чиста горивна смес.
2. Натиснете подкачващата помпа 10 пъти. (Фиг. 24)
3. Преместете смукача на двигателя на позиция ПЪЛЕН СМУКАЧ (затворена). (Фиг. 25)
4. Преместете докрай лостчето за управление на оборотите в посока обратно на часовниковата стрелка. (Фиг. 26)
5. С лявата си ръка задръжте корпуса на машината на земята.
6. Дърпайте дръжката на въжето за стартиране, докато двигателят опитва да запали. Не дърпайте повече от 3 пъти.
7. Преместете смукача на позиция 1/2 ("полуотворено") и дръпнете дръжката на въжето на стартера, за да се включи двигателят. (Фиг. 27)
8. Оставете двигателя да работи в продължение на около 10 секунди.
9. Натиснете и задръжте регулатора на газта по време на всички оставащи стъпки.
10. Преместете смукача на позиция ИЗКЛЮЧЕН СМУКАЧ ("отворено"). (Фиг. 28)
11. Загрейте двигателя в продължение на 1 минута.

### За стартиране на топъл двигател

1. Натиснете и задръжте регулатора на газта.
2. Преместете смукача на позиция 1/2 ("полуотворено").
3. Дръпнете бързо дръжката на въжето на стартера, натискайки спусъка на газта, докато се включи двигателят.
4. Преместете смукача на позиция ИЗКЛЮЧЕН СМУКАЧ ("отворено").

### За да спрете двигателя

- Натиснете и отпуснете ключа STOP на двигателя. Ключът автоматично се връща на позиция ON. Изчакайте 7 секунди, преди да се опитате да включите продукта отново, за да се рестартира ключът.

## Използване на накрайник

- Използвайте стандартния накрайник при нужда от прецизност и силна концентрация на въздушния поток. (Фиг. 29)
- Използвайте високоскоростния накрайник при нужда от по-широк обхват и по-висока скорост на въздушния поток. (Фиг. 30)

## Регулиране на накрайника на компресорното оборудване

1. Завъртете накрайника наляво, за да изключите байонетното съединение.
2. Преместете накрайника до съответното положение.
3. Завъртете накрайника надясно, докато усетите щракване.

## Работа със смукалката

Преди работа със смукалката, сложете необходимите предпазни средства.



**ПРЕДУПРЕЖДЕНИЕ:** Преди употреба се уверете, че торбичката за събиране не е повредена и че ципът е затворен. Не използвайте торбички, която е повредена. Така ще се предпазите от нараняване при изхвърчане на отпадъци. Използването на лявата ръка при работа с продукта е по-рисковано. Избягвайте контакт на тялото със зоната на изпускателния отвор.



**ПРЕДУПРЕЖДЕНИЕ:** Не включвайте компресорното оборудване при отворен

или повреден входен капак (освен ако е монтирана вакуумната тръба).

- Когато работите с компресорното оборудване, торбичката за събиране трябва да се държи за ремъка за рамо. Ремъкът трябва да се постави върху горната част на рамото.
- Включете компресорното оборудване. Спазвайте инструкциите в раздела относно включването и изключването *За стартиране и спиране на страница 22*. Прочетете инструкциите за безопасност *Безопасност на страница 17*.

## Изпразване на торбичката за събиране



**ПРЕДУПРЕЖДЕНИЕ:** Винаги проверявайте торбичката за събиране. Преди всяка употреба се уверете, че торбичката не е повредена и че ципът е затворен. Не използвайте повредени торбички. При изхвърчане на отпадъци има опасност от нараняване. Бъдете внимателни, ако работите с лявата ръка. Не докосвайте зоната на изпускателния отвор.

1. Спрете продукта.
2. Отворете страничния цип.
3. Изпразнете торбичката за събиране.
4. Затворете ципа.

## Поддръжка



**ПРЕДУПРЕЖДЕНИЕ:** Прочетете и разберете раздела с инструкции за безопасност преди почистване, ремонтване или техническо обслужване на продукта.

## График за техническо обслужване

Уверете се, че спазвате графика за техническо обслужване. Интервалите са изчислени от ежедневната употреба на продукта. Интервалите са различни, ако не използвате продукта всеки ден. Извършвайте само дейностите по техническо обслужване, които са описани в тази инструкция за експлоатация. Говорете с одобрен сервизен център относно други дейности по техническо обслужване, които не намирате в тази инструкция за експлоатация.

### Всекидневно техническо обслужване

- Почистете външните повърхности.
- Проверете дали управлението на оборотите и регулатора на газта работят нормално. Заменете повредените части.
- Проверете превключвателя за спиране. Сменете го, ако е необходимо.
- Проверете оборотите на празния ход.
- Почистете въздушния филтър. Сменете го, ако е необходимо.
- Уверете се, че входният капак може да се заключва в затворено положение. Уверете се, че роторът е чист.
- Затегнете всички гайки и винтове.
- Уверете се, че корпусите са здрави и без пукнатини.

- Уверете се, че торбичката за събиране не е повредена и че ципът работи нормално. Сменете торбичката, ако е необходимо.

### Седмично техническо обслужване

- Проверете състоянието на стартерното устройство, въжето за стартиране и натягащата пружина. Заменете всички повредени части.
- Проверете състоянието на смукателния въздухопровод на стартерното устройство. Ако смукателният въздухопровод е запушен, премахнете отпадъците.
- Почистете отвън запалителната свещ. Свалете я и проверете разстоянието между електродите. Регулирайте разстоянието до 6 mm (0,024 in) или сменете запалителната свещ.
- Почистете лопатките на ротора.
- Почистете предпазната искрогасителна мрежа и при необходимост я сменете (не се отнася за ауспуха с катализатор).
- Почистете зоната на карбуратора.
- Почистете въздушния филтър.

### Месечно техническо обслужване

- Проверете дръжката на въжето за стартиране и въжето за стартиране.
- Почистете резервоара за гориво.
- Почистете карбуратора и околната зона.
- Почистете лопатките на ротора.
- Проверете горивопроводите за пукнатини и други повреди. Ако е необходимо, го заменете
- Сменете горивния филтър в резервоара за гориво.
- Проверете всички кабели и връзки.
- Подменете запалителната свещ.
- Сменете въздушния филтър.

### Ежегодна поддръжка

- Проверете запалителната свещ.
- Почистете външната повърхност на карбуратора и зоните около него.
- Почистете системата за охлаждане.
- Проверете искрогасителния екран.
- Проверете горивния филтър.
- Проверете маркуча за горивото за повреда.
- Проверете всички кабели и връзки.

### Техническо обслужване на 50 часа

- Ремонът или смяната на ауспуха трябва да се извършат от одобрен сервизен център.

## Регулиране на оборотите на празния ход

- Уверете се, че въздушният филтър е чист и капакът на въздушния филтър е закрепен, преди да регулирате оборотите на празния ход.

- Регулирайте оборотите на празния ход с регулиращия винт, означен със знака "Т".
- Оборотите на празния ход са правилни, когато двигателят работи плавно във всяко положение.

(Фиг. 31)

1. За увеличаване на скоростта завъртете регулиращия винт по посока на часовниковата стрелка.
2. За намаляване на скоростта завъртете регулиращия винт обратно на часовниковата стрелка.

## За да направите техническо обслужване на искрогасителния екран

Използвайте телена четка за почистване на искрогасителния екран.

## За почистване на системата за охлаждане

(Фиг. 32)

Почистете частите на системата за охлаждане с четка.

## За проверка на запалителната свещ



**ВНИМАНИЕ:** Използвайте винаги запалителните свещи от препоръчания вид. Използването на запалителна свещ от неправилен тип може да повреди продукта.

- Проверете запалителната свещ, ако двигателят е с понижена мощност, стартира трудно или работи неправомерно при обороти на празен ход.
- За да намалите опасността от попадане на нежелани материали върху електродите на запалителната свещ, следвайте тези инструкции:
  - a) Проверете дали оборотите на празния ход са правилно регулирани.
  - b) Уверете се, че горивната смес е правилна.
  - c) Уверете се, че въздушният филтър е чист.
- Ако запалителната свещ е замърсена, почистете я и проверете дали разстоянието между електродите е правилно, направете справка с *Технически характеристики на страница 25*. (Фиг. 33)
- Сменете запалителната свещ, ако е необходимо.

## За да извършвате техническо обслужване на въздушния филтър

### За да почистите въздушния филтър

1. Свалете капака на въздушния филтър и самия въздушен филтър. (Фиг. 34)



- Почистете въздушния филтър с топла сапунена вода. Уверете се, че въздушният филтър е сух, преди да го монтирате.
- Сменете въздушния филтър, ако е прекалено замърсен за пълно почистване. Винаги заменяйте повреден въздушен филтър.
- Ако продуктът Ви разполага с пенест въздушен филтър, нанесете масло за въздушен филтър. Нанасяйте масло за въздушен филтър само върху пенест филтър. Не нанасяйте масло върху филцов филтър.

## Технически характеристики

	единица	125B (125B28HV)	125BX (125B28HV)	125BVX (125B28HV)
<b>Спецификации на двигателя</b>				
Обем на цилиндъра	cm <sup>3</sup>	28	28	28
Разстояние между електродите	mm	0,6	0,6	0,6
Обем на резервоара за гориво	cm <sup>3</sup>	500	500	500
Обороти на празен ход	min <sup>-1</sup>	2800 – 3200	2800 – 3200	2800 – 3200
Максимални обороти	min <sup>-1</sup>	8000	8000	8000
Изходна мощност	kW	0,8	0,8	0,8
Запалителна свещ		Champion RCJ-6Y	Champion RCJ-6Y	Champion RCJ-6Y
Максимални обороти при режим "духане"	min <sup>-1</sup>	8600	8600	8600
Максимални обороти при режим "вакуум"	min <sup>-1</sup>	--	7500	7500
Период на продължителност на емисиите	h	125	125	125
<b>Данни за шум и вибрации</b>				
Еквивалентно ниво на вибрациите върху ръкохватките, с монтирани продухвачи тръби и накрайник (оригинални) – вижте забележка 1	m/s <sup>2</sup>	11,03	11,03	11,03
Еквивалентно ниво на вибрациите върху ръкохватките, с монтирани вакуумни тръби (оригинални), ляво/дясно – вижте забележка 1	m/s <sup>2</sup>	--/--	12,16/12,29	12,16/12,29
Еквивалентно ниво на звуковото налягане върху ухото на оператора, измерено съгласно ISO 22868 с монтирани продухвачи тръби и накрайник (оригинални) – вижте забележка 3	dB(A)	96	96	96
Звуково налягане при ухото на близкостоящо лице, измерено съгласно ANSI B175.2, с монтирани продухвачи тръби и накрайник (оригинални)	dB(A)	71	71	71
Ниво на звуковата мощност, измерена – вижте забележка 2	dB(A)	109	109	109
Ниво на звуковата мощност, гарантирана (L <sub>WA</sub> ) – вижте забележка 2	dB(A)	112	112	112
<b>Размери на продукта</b>				

Тегло (без гориво, но с монтирани продухващи тръба и стандартен накрайник)	kg	4,3	4,4	4,4
<p><b>Забележка 1:</b> Отчетените данни за еквивалентното ниво на вибрациите имат типична статистическа дисперсия (стандартно отклонение) от 1 m/s<sup>2</sup>.</p> <p><b>Забележка 2:</b> Шумови емисии в околната среда, измерени като звукова мощност (L<sub>WA</sub>) в съответствие с директива на ЕО 2000/14/ЕО. Отчетените нива на шума за машината са измерени с оригиналното оборудване, което дава най-високото ниво. Разликата между гарантираното и измереното ниво на шума е в това, че гарантираното ниво на шума включва също и дисперсията в резултатите от измерването, както и вариациите между различните машини от един и същи модел в съответствие с Директива 2000/14/ЕО.</p> <p><b>Забележка 3:</b> Отчетените данни за еквивалентното ниво на звуковото налягане за машината имат типична статистическа дисперсия (стандартно отклонение) от 1 dB (A).</p>				

Вентилатор	Единица	125B	125BX	125BVX
Тип		Радиален вентилатор	Радиален вентилатор	Радиален вентилатор
Максимална скорост на въздуха, стандартен накрайник	km/h	217	217	217
Максимална скорост на въздуха, високоскоростен накрайник*	km/h	273	273	273
Обем на въздуха при режим "духане"	cfm	425	425	425
Обем на въздуха при режим "вакуум"	cfm	--	445	445
*допълнително приспособление за някои модели				

## Принадлежности

125B, 125BX, 125BVX	
<b>Одобрени приспособления</b>	<b>Тип</b>
Устройство за почистване на канали	952 711 918
125BX, 125BVX	
<b>Одобрени приспособления</b>	<b>Тип</b>
Вакуумно устройство	952 711 913
125B	
<b>Одобрени приспособления</b>	<b>Тип</b>
Високоскоростен накрайник	545 119 501

---

## Съдържание на ЕО декларацията за съответствие

---

Ние, Husqvarna AB, SE 561 82 Huskvarna, SWEDEN, декларираме на своя собствена отговорност, че представеният продукт:

<b>Описание</b>	<b>Gasoline Blower/ Blower-Vacuum</b>
Марка	Husqvarna
Платформа/вид/модел	Платформа 125B28HV, представляваща модел 125B, 125BX, 125BVX
Партида	Сериен номер, датиращ от 2019 и след това

отговаря напълно на следните директиви и регламенти на ЕС:

<b>Директива/регламент</b>	<b>Описание</b>
2006/42/ЕС	"относно машините"
2014/30/ЕС	"относно електромагнитната съвместимост"
2000/14/ЕС	"относно шумовите емисии в околната среда"
2011/65/EU	"ограничения за използване на определени опасни вещества"

Приложените хармонизирани стандарти и/или технически спецификации са следните: EN ISO 12100, EN ISO 1186-1, CISPR 12, ISO 14982, EN 50581

В съответствие с Директива 2000/14/ЕС, приложение V, декларираните звукови стойности са посочени в раздела за технически характеристики на тази инструкция за експлоатация и в подписаната Декларация за съответствие на ЕО.

Intertek извърши доброволен контрол от името на Husqvarna AB и изготви Сертификат за съответствие с Директива 2006/42/ЕС на Съвета на ЕО относно машините.

Сертификатът, както е предвиден в подписаната Декларация за съответствие на ЕО, се прилага за всички места на производство и държави на произход, както е посочено на продукта.

Доставените Gasoline Blower/ Blower-Vacuum съответстват на екземпляра, който е преминал през контрол.

---

## Sadržaj

---

Uvod.....	28	Održavanje.....	34
Sigurnost.....	29	Tehnički podaci.....	36
Sastavljanje.....	32	Pribor.....	37
Rukovanje.....	32	Sadržaj deklaracije EZ o usklađenosti.....	37

---

## Uvod

---

### Priručnik za rad

Inicijalni jezik priručnika za rad je engleski. Priručnici za rad na drugim jezicima su prijevodi s engleskog.

(Sl. 1)

1. Remen za rame (125BVX)
2. Poluga gasa
3. Prekidač za ZAUSTAVLJANJE
4. Kontrola brzine
5. Kućište ventilatora
6. Poklopac spremnika za gorivo
7. Zračni filter
8. Saug
9. Pumpica
10. Poklopac na ulazu
11. Vakuum ručka (125BX i 125BVX)
12. Rezači (125BX i 125BVX)
13. Propeler ventilatora
14. Standardna mlaznica
15. Mlaznica velike brzine (125BX i 125BVX)
16. Cijev puhala
17. Zavrtnaj stezaljke cijevi
18. Matice stezaljke na cijevi
19. Auspuh
20. Žica za uzemljenje
21. Ručka konopa za paljenje
22. Uređaj za pokretanje
23. Šarafi za podešavanje karburatora
24. Priručnik za rad
25. Vakuumski uređaj s kolekcijom komponenti koje se sastoje od stavki 26-30 u nastavku
26. Cijev vreće za sakupljanje
27. Vreća za sakupljanje
28. Vakuumska cijev u dva dijela
29. Vijak
30. Remen za rame

### Simboli na proizvodu

- (Sl. 2) Upozorenje
- (Sl. 3) Pročitajte ovaj priručnik
- (Sl. 4) Koristite odobrenu zaštitu za uši

### Pregled

- (Sl. 4) Koristite odobrenu zaštitu za oči
- (Sl. 4) Koristite odobrenu masku za prašinu
- (Sl. 5) Koristite odobrene zaštitne rukavice
- (Sl. 6) Proizvod može uzrokovati izbacivanje predmeta, što može izazvati povrede očiju
- (Sl. 7) Sigurna udaljenost
- (Sl. 8) Nemojte prilaziti blizu propelera kada se okreću
- (Sl. 9) Nemojte dopustiti da dijete prilazi blizu proizvoda
- (Sl. 10) Nivo jačine zvuka
- (Sl. 11) Nivo buke
- (Sl. 12) Uvjerite se da dugu kosu stavite iznad ramena
- (Sl. 13) Proizvod je usklađen s važećim EC direktivama
- (Sl. 14) Proizvod je u skladu s važećim EAC direktivama
- (Sl. 15) Proizvod je u skladu s važećim direktivama Ukrajine

---

**Napomena:** Drugi simboli/naljepnice na proizvodu odnose se na zahtjeve certifikacije za druga komercijalna područja.

---

### Emisije Euro V



**UPOZORENJE:** Neovlaštenim otvaranjem proizvoda poništava se EU odobrenje tipa ovog proizvoda.

---

## Odgovornost za proizvod

Kao što je navedeno u zakonima o odgovornosti za proizvod, mi nismo odgovorni za oštećenja koja uzrokuje naš proizvod ako:

- je proizvod pogrešno popravljen.
- je proizvod popravljen koristeći dijelove koji nisu od proizvođača ili koji nisu odobreni od strane proizvođača.

- proizvod ima dodatnu opremu koju nije napravio proizvođač ili koju proizvođač ne odobrava.
- proizvod nije popravljen u nekom od odobrenih servisa ili od strane odobrenog tijela.

---

## Sigurnost

---

### Definicija sigurnosti

Definicije u nastavku daju stepen ozbiljnosti za svaku signalnu riječ.



**UPOZORENJE:** Ozljede kod osoba.



**OPREZ:** Oštećenje na proizvodu.

**Napomena:** Ove informacije čine proizvod lakšim za korištenje.

### Opće sigurnosne upute



**UPOZORENJE:** Prije upotrebe proizvoda pročitajte upozorenja u nastavku.

- Koristite proizvod na pravilan način. Povreda ili smrt je moguć ishod nepravilnog korištenja. Proizvod koristite samo za poslove koji su navedeni u ovom priručniku. Nemojte koristiti proizvod za druge poslove.
- Poštujte uputstva iz ovog priručnika. Poštujte sigurnosne simbole i sigurnosna uputstva. Ako operater ne poštuje uputstva i simbole, povreda, oštećenje ili smrt su mogući ishodi.
- Nemojte bacati ovaj priručnik. Koristite uputstva da sastavite, rukujete i održavate svoj proizvod u dobrom stanju. Koristite uputstva da biste pravilno ugradili priključke i dodatke. Koristite samo odobrene priključke i dodatke.
- Nemojte koristiti oštećen proizvod. Poštujte raspored održavanja. Obavljajte samo one radove na održavanju za koje pronađete uputstva u ovom priručniku. Sve druge radove na održavanju mora obavljati ovlašteni servisni centar.
- Ovaj priručnik ne može uključivati sve situacije koje se mogu desiti kada koristite proizvod. Budite oprezni i koristite svoj zdrav razum. Nemojte rukovati proizvodom ili obavljati radove na održavanju proizvoda ako niste upoznati sa stanjem. Za informacije se obratite stručnjaku za proizvod, svom trgovcu, servisnom zastupniku ili ovlaštenom servisnom centru.
- Isključite kabl svjećice prije nego što sastavite proizvod, odložite proizvod na skladište ili prije radova na održavanju.
- Nemojte koristiti proizvod ako je promijenjen od svoje inicijalne specifikacije. Nemojte mijenjati dio proizvoda bez odobrenja od proizvođača. Koristite samo dijelove koje je odobrio proizvođač. Povreda ili smrt je moguć ishod nepravilnog održavanja.
- Nemojte udisati pare iz motora. Dugotrajno udisanje ispušnih para motora opasno je po zdravlje.
- Nemojte pokretati proizvod u zatvorenom prostoru ili u blizini zapaljivih materijala. Izduvne pare su vruće i mogu sadržavati iskre koje mogu izazvati požar. Nedovoljan protok zraka može izazvati povredu ili smrt zbog nedostatka kisika ili ugljičnog monoksida.
- Kada koristite ovaj proizvod, motor stvara elektromagnetno polje. Elektromagnetno polje može izazvati oštećenje na medicinskim implantatima. Porazgovarajte s ljekarom i proizvođačem medicinskog implantata prije rada s proizvodom.
- Nemojte dopustiti da dijete rukuje proizvodom. Nemojte dopustiti osobi bez znanja o uputstvima da rukuje proizvodom.
- Uvjerite se da uvijek nadgledate osobu, sa smanjenim fizičkim kapacitetom ili mentalnim sposobnostima, koja koristi proizvod. Odgovorna osoba mora biti prisutna cijelo vrijeme.
- Zaključajte proizvod u području koje nije pristupačno djeci i neovlaštenim osobama.
- Proizvod može izbaciti predmete i izazvati povrede. Poštujte sigurnosna uputstva da biste smanjili opasnost od povrede ili smrti.
- Nemojte napuštati proizvod dok je motor uključen.
- Rukovalac proizvodom je odgovoran ako dođe do nezgode.
- Prije korištenja proizvoda, uvjerite se da dijelovi nisu oštećeni.
- Vodite računa da ste udaljeni najmanje 15 m (50 stopa) od drugih osoba ili životinja prije korištenja proizvoda. Vodite računa da osobe koja su u blizini budu upoznate da ćete koristiti proizvod.
- Pogledajte državne ili lokalne zakone. Oni mogu spriječiti ili smanjiti rad proizvoda u nekim uslovima.

- Nemojte koristiti proizvod kada ste umorni ili pod dejstvom alkohola, droga ili lijekova. Oni mogu uticati na vaš vid, opreznost, koordinaciju i rasuđivanje.

## Sigurnost od vibracija

Proizvod je samo za povremeni rad. Neprekidnim i redovnim korištenjem ovog proizvoda mogu nastati "bijeli prsti" ili slični zdravstveni problemi uzrokovani vibracijama. Ukoliko neprekidno ili redovno koristite ovaj proizvod pregledajte stanje šaka i prstiju. Ukoliko na šakama ili prstima primjetite bljedilo, osjetite bolove, trnce ili trnjenje, prestanite raditi i odmah se obratite lekaru.

## Sigurnosna uputstva za rad puhalu

- Koristite ovaj proizvod samo kao puhalo ili za uklanjanje lišća i drugih ostataka na tlu.
- Nemojte rukovati proizvodom kada ste umorni, bolesni ili ako ste konzumirali alkohol, droge ili lijekove.
- Nemojte dopustiti posmatračima ili životinjama da se približe manje od 15 m (50 stopa) od rukovaoca.
- Proizvod može izbaciti predmete pri velikoj brzini koji mogu odskočiti i udariti rukovaoca. To može uzrokovati povredu oka.
- Ne usmjeravajte mlaznicu puhalu prema osobama ili životinjama.
- Uvjerite se da dugu kosu stavite iznad ramena.
- Zaustavite motor prije sklapanja ili rasklapanja dodatne opreme ili komponenti.
- Nemojte rukovati proizvodom bez zaštite.
- Nemojte rukovati proizvodom ako se u radnom području nalaze osobe. Zaustavite proizvod ako osoba uđe u radno područje.
- Nemojte rukovati proizvodom u prostoru sa nezadovoljavajućim protokom zraka. Ako protok zraka nije dovoljan, to može izazvati povredu ili smrt zbog nedostatka kisika ili ugljičnog monoksida.
- Prigušivač je veoma vruć kada je proizvod uključen, nakon što se zaustavi i kada radi pri brzini u praznom hodu. Budite pažljivi u blizini zapaljivih materijala i zapaljivih para.
- Nemojte dodirivati područje ulaznog pokrova. Nakit i lepršavu odjeću držite dalje od ulaznog područja.
- Uvijek držite ispravan položaj nogu i rukujte proizvodom samo na sigurnim i ravnim površinama. Klizave ili nestabilne površine, kao što su ljestve, mogu izazvati gubitak ravnoteže ili kontrole.
- Nemojte rukovati proizvodom na visini, kao npr. na krovu.
- Tokom transporta osigurajte proizvod.
- Proizvodom rukujte samo u preporučenom vremenu. Poštujte lokalne zakone. Uobičajene preporuke su od 9:00 do 17:00 sati od ponedjeljka do subote.
- Rukujte proizvodom uz najmanji mogući gas da obavite posao.

- Uvjerite se da ne možete pasti kada koristiti proizvod. Nemojte se naginjati kada rukujete proizvodom.
- Uvjerite se da je proizvod u dobrom stanju prije početka rada, naročito prigušivač, ulaz zraka i zračni filter.
- Koristite grablje ili metlu da olabavite ostatke na tlu prije rada s proizvodom.
- Ako je radno područje priljavo, napršćite ga crijevom.
- Koristite proizvod kao alternativu crijevu da biste uštedjeli vodu.
- Otpušite otpatke na siguran način. Pazite na djecu, životinje, otvorene prozore ili vozila.
- Ne usmjeravajte proizvod prema biljkama koje je lako oštetiti.
- Nemojte puhati zrak prema predmetima kao što su zidovi, veliko kamenje, vozila ili ograde.
- Ako posao obavljate u unutrašnjim uglovima, pušite od ugla i prema centru radnog područja. Ako ne, ostaci vas mogu udariti u lice i izazvati povredu oka.
- Koristiti cijeli produžetak mlaznice da održavate strujanje zraka blizu tla.
- Neophodno je da posmatrači nose zaštitu za oči.
- Ostatke odložite u kante za smeće nakon upotrebe proizvoda.

## Sigurnosna uputstva za rad vakuuma

- Spriječite oštećenje na ventilatoru. Nemojte puhati velike, čvrste predmete kao što su drvo, konzerve, gumeni pokrivači ili dugi komadi trake.
- Nemojte dopustiti da vakuumska cijev dodirne tlo.
- Zaustavite motor i isključite poklopac svjeće prije uklanjanja blokade ili začepljenog materijala.

## Lična zaštitna oprema

- Uvijek koristite pravilnu opremu za ličnu zaštitu kada rukujete proizvodom. Oprema za ličnu zaštitu ne eliminiše opasnost od povrede. Oprema za ličnu zaštitu smanjuje stepen povrede ako se ne zgoda desi.
- Uvijek koristite odobrenu zaštitu za oči dok rukujete proizvodom.
- Nemojte rukovati proizvodom bosim stopalima ili u obući otvorenog tipa. Uvijek koristite robusne protuklizne čizme.
- Koristite jake, duge hlače.
- Ako je potrebno, koristite odobrene zaštitne rukavice.
- Koristite kacigu ako postoji mogućnost pada predmeta na glavu.
- Uvijek koristite odobrenu zaštitu za uši dok rukujete proizvodom. Buka tokom dužeg perioda može izazvati gubitak sluha uzrokovan bukom.
- Uvijek koristite odobrenu masku za prašinu kada rukujete proizvodom u prašnjavim okruženjima.
- Osigurajte da u blizini imate pribor prve pomoći.

## Zaštitni uređaji na proizvodu.

- Uvjerite se da redovno obavljate održavanje proizvoda.
  - Životni vijek proizvoda se time povećava.
  - Opasnost od nezgoda se smanjuje.

Dopustite ovlaštenom trgovcu ili ovlaštenom servisnom centru da redovno ispituju proizvod kako bi obavili prilagođavanja ili popravke.

- Nemojte koristiti proizvod koristeći oštećenu zaštitnu opremu. Ako je proizvod oštećen, obratite se ovlaštenom servisnom centru.

## Prekidač za zaustavljanje

Pokrenite motor. Provjerite da li se motor zaustavlja kada prekidač za zaustavljanje pomjerite u položaj za zaustavljanje.

(Sl. 16)

## Auspuh



**UPOZORENJE:** Nemojte dodirivati prigušivač ako je vruć. Prigušivač je veoma vruć kada motor radi i nakon što se zaustavi. Ako dodirnete prigušivač, to može uzrokovati opekotine.

- Nemojte koristiti motor s oštećenim auspuhom. Oštećeni auspuh povećava nivo buke i opasnost od požara. Držite aparat za gašenje požara u blizini.
- Redovno provjeravajte da je auspuh pričvršćen za proizvod.
- Nemojte dodirivati motor ili auspuh kada je motor uključen. Nemojte dodirivati motor ili auspuh tokom nekog vremena nakon što se motor zaustavi. Vruće površine mogu izazvati povredu.
- Vrući auspuh može izazvati požar. Budite oprezni, ako koristite proizvod u blizini zapaljivih tečnosti ili para.
- Nemojte dodirivati dijelove na auspuhu, ako je auspuh oštećen. Dijelovi mogu sadržavati neke kancerogene hemikalije.
- Neki modeli puhalu imaju zaslon odvodnika iskri. Očistite i zamijenite zaslon na određenim intervalima. Pogledajte odjeljak za održavanje (*Održavanje na strani 34*).

(Sl. 17)

## Sigurnosne mjere pri rukovanju sa gorivom

- Nemojte pokretati proizvod ako u proizvodu ima goriva ili motornog ulja na proizvodu. Odstranite neželjeno gorivo/ulje i dopustite da se proizvod osuši. Odstranite neželjeno gorivo s proizvoda.
- Ako prolijete gorivo po odjeći, odmah presvucite odjeću.

- Nemojte dopustiti da gorivo dospije na tijelo, to može izazvati povredu. Ako gorivo dospije na odjeću, koristite sapun i vodu da odstranite gorivo.
- Nemojte pokretati motor ako prolijete ulje ili gorivo po proizvodu ili po svom tijelu.
- Nemojte pokretati proizvod ako se na motoru javlja curenje. Redovno provjeravajte motor na curenje.
- Budite oprezni s gorivom. Gorivo je zapaljivo i pare su eksplozivne i mogu izazvati povrede ili smrt.
- Nemojte udisati pare od goriva, to može izazvati povredu. Uvjerite se da ima dovoljno protoka zraka.
- Nemojte pušiti u blizini goriva ili motora.
- Nemojte stavljati tople predmete u blizini goriva ili motora.
- Nemojte dodavati gorivo kada je motor uključen.
- Uvjerite se da je motor hladan prije nego dopunite gorivo.
- Prije dopunjavanja gorivom, otvorite poklopac rezervoara za gorivo i pažljivo oslobodite pritisak.
- Nemojte dodavati gorivo u motor u zatvorenom prostoru. Nedovoljni protok zraka može izazvati povredu ili smrt zbog nedostatka kisika ili ugljičnog monoksida.
- Pažljivo pričvrstite poklopac spremnika za gorivo ili bi moglo doći do požara.
- Pomjerite proizvod minimalno 3 m (10 stopa) od položaja gdje ste punili spremnik za gorivo prije pokretanja proizvoda.
- Nemojte stavljati previše goriva u spremnik za gorivo.
- Uvjerite se da ne može doći do curenja kada pomjerite proizvod ili spremnika za gorivo.
- Nemojte stavljati proizvod ili spremnik za gorivo gdje postoji otvoreni plamen, iskra ili plinski plamen. Uvjerite se da područje za skladištenje ne sadrži otvoreni plamen.
- Koristite samo odobrene spremnika kada pomjerate gorivo ili stavljate gorivo u skladište.
- Ispraznite spremnik za gorivo prije dugotrajnog skladištenja. Poštujte lokalni zakon o tome gdje odlagati gorivo.
- Očistite proizvod prije dugotrajnog skladištenja.
- Skinite kabl svjećice prije nego što stavite proizvod u skladište kako biste bili sigurni da se motor neće pokrenuti slučajno.

## Sigurnosna uputstva za održavanje



**UPOZORENJE:** Nepropisno održavanje može izazvati ozbiljno oštećenje motora ili dovesti do ozbiljne povrede.

Vlasnik je odgovoran za obavljanje svih neophodnih radova na održavanju kao što je navedeno u priručniku za korisnika. Isključite svjećicu prije radova na održavanju. Nemojte isključivati svjećicu prije nego što podesite karburator.

---

## Sastavljanje

---



**UPOZORENJE:** Pročitajte poglavlje za sigurnosna uputstva prije nego sastavite proizvod.

---

### Da biste instalirali cijev puhala i mlaznicu na proizvod

---

**Napomena:** Vijak mora biti dovoljno labav da možete staviti cijev puhala u izlaz puhala. Okrenite vijak pomoću odvijača u smjeru suprotnom od smjera kazaljke na satu da ba olabavite.

1. Izbočinu na gornjoj cijevi puhala poravnajte sa utorom na izlaznom otvoru puhala. Pomjerite cijev u položaj.
2. Okrenite vijak pomoću odvijača u smjeru kretanja kazaljke na satu da pričvrstite cijev.

**Napomena:** Nemojte koristiti bilo kaka alat na matici.

3. Proreze na donjoj cijevi puhala poravnajte sa jezičcima na gornjoj cijevi puhala. Donju cijev puhala pomjerite u gornju cijev puhala.
4. Okrenite donju cijev puhala u smjeru kazaljke na satu dok ne čujete zvuk klik.

---

### Montiranje vreće za sakupljanje s različitim vakuumskim cijevima

---



**UPOZORENJE:** Isključite motor prije nego što pričvrstite cijevi na proizvod.

---

### Sastavljanje vreće za sakupljanje

---

1. Otvori vreću za sakupljanje.
2. Postavite cijev vreće usisivača iznutra tako da uklopi u ulazni otvor usisivača vreće.
3. Uvjerite se da je elastika nalegla na žlijeb (A).

---

### Gorivo

---

#### Korištenje goriva

---



**OPREZ:** Ovaj proizvod ima dvotaktni motor. Koristite mješavinu benzina i ulja za dvotaktni motor. Uvjerite se da koristite tačnu količinu ulja u smjesi. Netačan odnos

4. Zatvorite patentni zatvarač na kesi. (Sl. 18)

---

### Postavljanje cijevi vreće za sakupljanje

1. Uklonite cijev puhača ako je spojena.
2. Izbočinu na vreći za sakupljanje (A) poravnajte sa čljebom na izlaznom otvoru puhača (B).
3. Cijev vreće za sakupljanje pritisnite u potpunosti do izlaza puhača.
4. Umetnite maticu (C) u svoj otvor.
5. Montirajte vijak (D) i pritegnite pomoću odvijača da pričvrstite cijev. (Sl. 19)

---

### Spajanje vakuumskih cijevi

1. Poravnajte strelicu na donjoj vakuumskoj cijevi (A) sa strelicom na gornjoj vakuumskoj cijevi (B).
2. Donju usisnu cijev gurnite u gornju usisnu cijev.
3. Pomoću odvijača montirajte samorezni vijak (C) koji drži cijevi zajedno. (Sl. 20)

---

### Postavljanje usisnih cijevi

1. Vrh odvijača umetnite u dio sa zasunom na ulaznom otvoru usisivača.
2. Okrenite odvijač da otpustite jezičak. (Sl. 21)
3. Nemojte vraćati ulazni poklopac usisivača dok se gornja usisna cijev ne ubaci na svoje mjesto.
4. Izbočine na unutrašnjoj strani ulaznog otvora usisivača poravnajte sa prorezima na gornjoj usisnoj cijevi. Provjerite je li simbol zaključano na cijevi poravnat sa simbolom nezaključano na ulaznom otvoru usisivača. (Sl. 22)
5. Gornju usisnu cijev u potpunosti gurnite u ulazni otvor usisivača.
6. Okrenite gornju vakuumsku cijev u smjeru kazaljke na satu dok simbol zaključano na cijevi se ne poravnata sa simbolom nezaključano na ulaznom otvoru usisivača. Cijev će oglasiti zvuk "klik" kada se pravilno spoji. (Sl. 23)

---

## Rukovanje

---



**UPOZORENJE:** Pročitajte i proučite poglavlje za sigurnosna uputstva prije početka rada s proizvodom.

benzina i ulja može izazvati oštećenje na motoru.

---

### Benzin

---



**OPREZ:** Nemojte koristiti benzin s brojem oktana koji je manji od 90 RON (87 AKI). To može izazvati oštećenje na proizvodu.





**OPREZ:** Nemojte koristiti benzin s više od 10% koncentracije etanola (E10). To može izazvati oštećenje na proizvodu.



**OPREZ:** Nemojte koristiti benzin koji sadrži olovo. To može izazvati oštećenje na proizvodu.

- Uvijek koristite novi bezolovni benzin s minimalnim brojem oktana od 90 RON (87 AKI) i s manje od 10% koncentracije etanola (E10).
- Koristite benzin s većim brojem oktana ako često koristite proizvod pri kontinuirano visokoj brzini.
- Uvijek koristite bezolovni benzin/mješavinu ulja dobrog kvaliteta.

## Ulje za dvotaktni motor

- Koristite samo ulje za dvotaktne motore visokog kvaliteta. Koristite samo zrakom hlađeno motorno ulje.
- Nemojte koristiti druge tipove ulja.
- Omjer smjese 50:1 (2%)

Benzin	Ulje
1 SAD galon	77 ml (2,6 unci)
1 UK galon	95 ml (3,2 unce)
5 l	100 ml (3,4 unce)

## Za pravljenje mješavine goriva

**Napomena:** Uvijek koristite čist spremnik za gorivo kada pravite mješavinu goriva.

**Napomena:** Nemojte praviti količinu mješavine goriva za više od 30 dana.

1. Dodajte polovinu količine benzina.
2. Dodajte punu količinu ulja.
3. Protresite mješavinu goriva kako biste izmiješali sadržaj.
4. Dodajte preostalu količinu benzina.
5. Protresite mješavinu goriva kako biste izmiješali sadržaj.
6. Napunite spremnik za gorivo.

## Da biste dodali gorivo

- Uvijek koristite spremnik goriva s ventilom protiv prolijevanja.
- Ako je u spremniku ostalo nešto goriva, uklonite neželjeno gorivo i ostavite da se spremnik osuši.
- Uvjerite se da je područje koje se nalazi u blizini spremnika za gorivo čisto.

- Protresite spremnik za gorivo prije nego što dodate mješavinu goriva u spremnik za gorivo.

## Pokretanje i zaustavljanje

### Prije nego što pokrenete motor

- Provjerite proizvod po pitanju nedostajućih, oštećenih, labavih ili pohabanih dijelova.
- Provjerite vreću za sakupljanje. Uvjerite se da vreća za sakupljanje nije oštećena i da je zatvarać zatvoren.
- Provjerite podloške, vijke i navrtke.
- Provjerite filter za zrak.
- Provjerite okidač gasa radi ispravnog rada.
- Provjerite prekidač za zaustavljanje radi ispravnog rada.
- Pregledajte ima li curenja goriva na proizvodu.

### Pokretanje hladnog motora



**UPOZORENJE:** Nemojte namotavati konop za paljenje oko svoje ruke.



**OPREZ:** Nemojte držati proizvod svojim stopalima.



**OPREZ:** Nemojte povlačiti konop za paljenje pokretanje do krajnjeg položaja. Ne puštajte ručku konopa za paljenje kada je konop izvučen. To može oštetiti proizvod.

**Napomena:** Ako se motor zaustavi, pomjerite kontrolu prigušenja u zatvoren položaj i ponovite korake za pokretanje.

1. Napunite spremnik za gorivo čistom mješavinom goriva.
2. Pritisnite pumpicu 10 puta. (Sl. 24)
3. Pomjerite kontrolu prigušivanja motora do položaja PRIGUŠIVAČA GORIVA (zatvoreno). (Sl. 25)
4. Gurnite varijabilnu kontrolu brzine potpuno u smjeru suprotnom od smjera kazaljke na satu. (Sl. 26)
5. Koristite svoju lijevu ruku da držite tijelo mašine na tlu.
6. Povlačite ručku konopa za paljenje dok motor ne pokuša da se pokrene. Nemojte povlačiti više od 3 puta.
7. Pomjerite kontrolu prigušenja na 1/2 položaja i povucite ručku konopa za paljenje dok se motor ne pokrene i pođe s radom. (Sl. 27)
8. Pustite da motor radi oko 10 sekundi.
9. Pritisnite i zadržite regulator gasa i u potpunosti kroz sve preostale korake.

10. Prebacite kontrolu prigušenja u položaj OFF CHOKE (otvoreno). (Sl. 28)
11. Zagrijte motor do 1 minute.

### Da biste pokrenuli zagrijan motor.

1. Pritisnite i držite pritisnutu polugu gasa.
2. Pomjerite kontrolu prigušenja u položaj 1/ 2.
3. Povucite brzo ručku konopa za paljenje kada povlačite polugu gasa dok motor radi.
4. Prebacite kontrolu prigušenja u položaj OFF CHOKE (otvoreno).

### Da biste zaustavili motor

- Pritisni i opusti prekidač motora STOP. Prekidač se automatski vraća u položaj uključeno ON. Sačekajte 7 sekundi prije nego što ponovno pokrenete proizvod kako biste se uvjerali da je prekidač resetiran.

### Za korištenje mlaznice

- Koristite standardnu mlaznicu kada je potrebna preciznost i visoka koncentracija protoka zraka. (Sl. 29)
- Koristite mlaznicu velike brzine kada je potreban širi protok zraka i velika brzina zraka. (Sl. 30)

### Da biste podesili mlaznicu puhalo

1. Uvrnite mlaznicu u lijevo da oslobodite bajonet.
2. Pomjerite mlaznicu u važeći položaj.
3. Uvrnite mlaznicu u desnu stranu dok ne osjetite klik.

### Za vakuum

Prije nego počete s vakuumom, stavite potrebnu sigurnosnu opremu.



**UPOZORENJE:** Uvjerite se prije upotrebe da vreća za sakupljanje nije oštećena i da je

zatvarač zatvoren. Nemojte koristiti vreću koja je oštećena. To sprječava povredu koju mogu izazvati leteći predmeti. Rad lijevom rukom povećava rizik. Nemojte dopustiti da vaše tijelo dodiruje vanjsko ispušno područje.



**UPOZORENJE:** Nemojte pokrenuti puhač ako je poklopac na ulazu otvoren ili oštećen (osim u slučaju da je postavljena vakuumska cijev).

- Tokom rada puhača vreća usisivača mora se držati za remen za rame. Remen se mora nositi na vrhu ramena.
- Pokrenite puhač. Poštujte uputstva u odjeljku za pokretanje i zaustavljanje *Pokretanje i zaustavljanje na strani 33*. Pročitajte sigurnosna uputstva *Sigurnost na strani 29*.

### Da biste ispraznili vreću za sakupljanje



**UPOZORENJE:** Uvijek provjerite vreću za sakupljanje. Uvjerite se prije upotrebe da nije oštećena i da je zatvarač zatvoren. Nemojte koristiti oštećenu vreću. Postoji opasnost od povrede uslijed letećih predmeta. Budite pažljivi ako primjenjujete rad lijevom rukom. Nemojte dodirivati izlazno ispušno područje.

1. Zaustavite proizvod.
2. Otvorite patentni zatvarač sa strane.
3. Ispraznite vreću za sakupljanje.
4. Zatvorite patentni zatvarač.

## Održavanje



**UPOZORENJE:** Pročitajte i proučite poglavlje za sigurnosna uputstva prije čišćenja, popravljanja ili održavanja proizvoda.

### Plan održavanja

Uvjerite se da se pridržavate rasporeda održavanja. Intervali se računaju prema dnevnoj upotrebi proizvoda. Intervali se razlikuju ako ne koristite proizvod svaki dan. Obavljajte samo one radove na održavanju koje pronađete u ovom priručniku. Obratite se ovlaštenom servisnom centru u vezi drugih radova na održavanju koje ne možete pronaći u ovom priručniku.

#### Svakodnevno održavanje

- Očistite vanjske površine.
- Provjerite kontrolu brzine i funkciju poluge gasa. Zamijeni oštećene dijelove
- Provjerite prekidač za zaustavljanje. Ako je potrebno, zamijenite ga.
- Provjerite brzinu u praznom hodu.
- Očistite zračni filter. Ako je potrebno, zamijenite ga.
- Uvjerite se da se poklopac na ulazu može zaključati u zatvorenom položaju. Uvjerite se da je propeler čist.
- Pričvrstite sve matice i vijke.
- Uvjerite se da na kućištu nema pukotina.
- Uvjerite se da vreća za sakupljanje nije oštećena i da zatvarač radi. Zamijenite vreću ako je potrebno.

#### Sedmično održavanje

- Provjerite stanje uređaja za pokretanje, konopa za paljenje i zatezne opruge. Zamijenite oštećene dijelove
- Provjerite stanje ulaza za zrak na uređaju za pokretanje. Uklonite krhotine ako je ulaz zraka začepljen.
- Očistite vanjsku stranu svjeće. Uklonite je i provjerite razmak elektroda. Podesite udaljenost na 6 mm (0,024 inča) ili zamijenite svjećicu.
- Očistite oštrice na propeleru.
- Očistite zaslon za odvod iskri i zamijenite ga po potrebi (ne na prigušivačima s katalitičkim konvertorom).
- Očistite područje karburatora.
- Očistite zračni filter

#### Mjesečno održavanje

- Provjerite ručku konopa za paljenje i konop za paljenje.
- Očistite spremnik za gorivo.
- Očistite karburator i područje oko njega.
- Očistite oštrice na propeleru.
- Provjerite dovode za gorivo radi pukotina ili drugih oštećenja. Zamijenite po potrebi.
- Promijenite filter goriva u spremniku za filter.
- Ispitajte sve kablove i spojeve.
- Zamijenite svjećicu.
- Promijenite filter za zrak.

#### Godišnje održavanje

- Provjerite svjećicu.
- Očistite vanjsku površinu karburatora i područja u njegovoj blizini.
- Očistite sistem za hlađenje.
- Provjerite zaslon odvodnika iskri.
- Provjerite filter za gorivo.
- Provjerite crijevo goriva radi oštećenja.
- Ispitajte sve kablove i spojeve.

#### 50 sati održavanja

- Dopustite da ovlašteni servisni centar popravi ili zamijeni auspuh.

### Da biste podesili brzinu u praznom hodu

- Uvjerite se da je filter za zrak čist i da je poklopac filtera za zrak pričvršćen prije nego što podesite brzinu u praznom hodu.
- Podesite brzinu u praznom hodu pomoću vijka za podešavanje brzine u praznom hodu T koji je označen oznakom "T".
- Brzina u praznom hodu je pravilno namještena kada motor glatko radi u svakom položaju.

(Sl. 31)

1. Okrenite vijak za podešavanje brzine u praznom hodu u smjeru kazaljke na satu za veću brzinu.
2. Okrenite vijak za podešavanje brzine u praznom hodu u smjeru suprotnom od smjera kazaljke na satu za nižu brzinu.

### Da biste obavili radove na održavanju na zaslonu odvodnika iskri

Koristite žičanu četku da očistite mrežicu odvodnika iskri.

### Čišćenje sistema za hlađenje

(Sl. 32)

Četkom očistite dijelove sistema za hlađenje.

### Da biste provjerili svjećicu



**OPREZ:** Uvijek koristite preporučenu vrstu svjećica. Neispravan tip svjećice može izazvati oštećenje na proizvodu.

- Provjerite svjećicu ako motor ima slabu energiju, ako nije lako pokrenuti ili ako ne radi ispravno na brzini pri praznom hodu.
- Da biste smanjili opasnost od neželjenih materijala na elektrodama svjećice, poštujujte ova uputstva:
  - a) Uvjerite se da je brzina u praznom hodu ispravno podešena.
  - b) Uvjerite se da je mješavina goriva ispravna.
  - c) Uvjerite se da je filter za zrak čist.
- Ako je svjećica zaprljana, očistite je i uvjerite se da razmak elektroda ispravan, vidite *Tehnički podaci na strani 36.* (Sl. 33)
- Zamijenite svjećicu ako je to potrebno.

### Za održavanje filtera

#### Čišćenje zračnog filtera

1. Uklonite poklopac filtera za zrak i uklonite filter za zrak. (Sl. 34)
2. Očistite filter za zrak toplom sapunjavom vodom. Uvjerite se da je filter za zrak suh prije nego ga postavite.
3. Zamijenite filter zraka ako je previše prljav kako biste ga potpuno očistili. Uvijek zamijenite oštećeni filter za zrak.
4. Ako vaš proizvod ima pjenasti filter za zrak, nanesite ulje za filter za zrak. Nanesite samo ulje za filter za zrak na pjenasti filter. Nemojte nanositi ulje na felt filter.

## Tehnički podaci

	jedinica	125B (125B28HV)	125BX (125B28HV)	125BVX (125B28HV)
<b>Specifikacije motora</b>				
Pomicanje cilindra	cm <sup>3</sup>	28	28	28
Razmak između elektroda	mm	0,6	0,6	0,6
Zapremina spremnika za gorivo	cm <sup>3</sup>	500	500	500
Brzina u praznom hodu	min <sup>-1</sup>	2800 - 3200	2800 - 3200	2800 - 3200
Brzina pri maksimalnoj snazi	min <sup>-1</sup>	8000	8000	8000
Izlazna snaga	kW	0,8	0,8	0,8
Svjećica		Champion RCJ-6Y	Champion RCJ-6Y	Champion RCJ-6Y
Način rada maksimalne brzine puhanja	min <sup>-1</sup>	8600	8600	8600
Način rada maksimalne brzine vakuuma	min <sup>-1</sup>	--	7500	7500
Period trajanja emisije	h	125	125	125
<b>Podaci o buci i vibracijama</b>				
Nivo ekvivalentne vibracije na ručkama s cijevima puhača i mlaznicom (original)-pogledajte napomenu 1	m/s <sup>2</sup>	11,03	11,03	11,03
Nivo ekvivalentne vibracije na ručkama s vakuumskim cijevima (original), lijeva/desna - pogledajte napomenu 1	m/s <sup>2</sup>	--/--	12,16/12,29	12,16/12,29
Nivo pritiska ekvivalentnog zvuka na uhu operatora izmjeren u skladu s ISO 22868 opremljen cijevima puhača i mlaznicom (original) – pogledajte napomenu 3	dB(A)	96	96	96
Nivo pritiska zvuka na uhu posmatrača izmjeren u skladu s ANSI B175.2 opremljen cijevima puhača i mlaznicom (original)	dB(A)	71	71	71
Nivo jačine zvuka, izmjereno - vidi napomenu 2	dB(A)	109	109	109
Nivo jačine zvuka, garantovano (L <sub>WA</sub> ) - vidi napomenu 2	dB(A)	112	112	112
<b>Dimenzije proizvoda</b>				
Težina (bez goriva ali s namontiranom cijevi puhača i standardnom mlaznicom)	kg	4,3	4,4	4,4

**Napomena 1:** Prijavljeni podaci ekvivalentnih nivoa vibracije posjeduju tipičnu statičku disperziju (standardno odstupanje) od 1 m/s<sup>2</sup>.

**Napomena 2:** Emisije buke u okruženju mjerene kao jačina zvuka ( $L_{WA}$ ) u skladu s Direktivom EC 2000/14/EC. Prijavljeni nivo jačine zvuka za mašinu izmjeren je s originalnim dodatkom koji daje najviši nivo. Razlika između garantirane i izmjerene jačine zvuka je u tome da garantirana jačina zvuka obuhvata i disperziju rezultata mjerenja i varijacije između različitih mašina istog modela u skladu s Direktivom 2000/14/EC.

**Napomena 3:** Prijavljeni podaci za ekvivalentni nivo pritiska zvuka za mašinu imaju tipičnu statističku disperziju (standardno odstupanje) od 1 dB (A).

Ventilator	Jedinica	125B	125BX	125BVX
Tip		Radijalni ventila- tor	Radijalni ventila- tor	Radijalni ventila- tor
Maksimalna brzina zraka, standardna mlaznica	km/h	217	217	217
Maksimalna brzina zraka, mlaznica velike brzine	km/h	273	273	273
Način rada zapremine puhanja zraka	cfm	425	425	425
Način rada zapremine vakuuma zra- ka	cfm	--	445	445
*opcionalna dodatna oprema za neke modele				

---

## Pribor

---

125B, 125BX, 125BVX	
<b>Odobreni pribor</b>	<b>Tip</b>
Pribor za čišćenje žlijeba	952 711 918
125BX, 125BX	
<b>Odobreni pribor</b>	<b>Tip</b>
Vakuumski pribor	952 711 913
125B	
<b>Odobreni pribor</b>	<b>Tip</b>
Mlaznica velike brzine	545 119 501

---

## Sadržaj deklaracije EZ o usklađenosti

---

Mi, Husqvarna AB, SE 561 82 Huskvarna, SWEDEN,  
izjavljujem pod punom vlastitom odgovornošću da ovaj  
proizvod:

<b>Opis</b>	<b>Gasoline Blower/ Blower-Vacuum</b>
Brend	Husqvarna
Platforma / tip / model	Platforma 125B28HV, predstavlja model 125B, 125BX, 125BVX
Serijski broj	Serijski broj s datumom 2019 i kasnije

u potpunosti su u skladu sa sljedećim EU direktivama i propisima:

Direktiva/propis	Opis
2006/42/EC	"o mašinama"
2014/30/EC	"o elektromagnetnoj kompatibilnosti"
2000/14/EC	"o spoljnoj buci"
2011/65/EU	"o ograničenju upotrebe određenih opasnih supstanci"

Harmonizirani standardi i/ili tehničke specifikacije koje su primijenjene su kako slijedi: EN ISO 12100, EN ISO 1186-1, CISPR 12, ISO 14982, EN 50581

U skladu s direktivom 2000/14/EC, Aneks V, deklarirane vrijednosti zvuka su navedene u odjeljku za tehničke podatke ovog priručnika i u potpisanoj Deklaraciji EC o usklađenosti.

Organizacija Intertek je izvršila dobrovoljno ispitivanje u ime kompanije Husqvarna AB i dodijelila certifikat o usklađenosti s Direktivom vijeća EC 2006/42/EC za mašinsku opremu.

Certifikat, kao što je navedeno u potpisanoj Deklaraciji EC o usklađenosti, primjenjuje se na svim lokacijama proizvođača i u zemljama porijekla, kao što je navedeno na proizvodu.

Isporučeni Gasoline Blower/ Blower-Vacuum podudara se s primjerkom na kojem je izvršeno ispitivanje.

---

## Obsah

---

Úvod.....	39	Údržba.....	45
Bezpečnost.....	40	Technické údaje.....	46
Montáž.....	42	Příslušenství.....	48
Provoz.....	43	Obsah prohlášení o shodě EU.....	48

---

## Úvod

---

### Návod k používání

Návod k obsluze byl původně napsán v angličtině. Návod k obsluze v ostatních jazycích jsou překlady z angličtiny.

(Obr. 1)

1. Ramenní popruh (125BVX)
2. Páčka plynu
3. STOP spínač (vypínač zapalování)
4. Regulace otáček
5. Kryt ventilátoru
6. Víčko palivové nádrže
7. Vzduchový filtr
8. Sytič
9. Palivová pumpička
10. Kryt nasávání
11. Rukojeť vysavače (125BX a 125BVX)
12. Břity (125BX a 125BVX)
13. Oběžné kolo ventilátoru
14. Standardní tryska
15. Vysokorychlostní tryska (125BX a 125BVX)
16. Trubka foukače
17. Šroub svorky trubice
18. Matice svorky trubice
19. Tlumič výfuku
20. Uzemňovací vodič
21. Startovací madlo
22. Startér
23. Šrouby pro seřízení karburátoru
24. Návod k používání
25. Vysavač obsahuje součásti pro sběr, položky 26–30 níže
26. Trubka sběrného vaku
27. Sběrný vak
28. Dvě části trubky vysavače
29. Šroub
30. Ramenní popruh

### Symboly na výrobku

(Obr. 2) Varování

(Obr. 3) Přečtěte si tento návod

### Přehled

(Obr. 4) Vždy používejte schválenou ochranu sluchu

(Obr. 4) Vždy používejte schválenou ochranu očí

(Obr. 4) Používejte schválenou protiprachovou masku

(Obr. 5) Používejte schválené ochranné rukavice

(Obr. 6) Produkt může způsobit vymrštění předmětů a následně poranění očí

(Obr. 7) Bezpečná vzdálenost

(Obr. 8) Nepřibližujte se k ventilátoru, když se otáčí

(Obr. 9) Zamezte přístupu dětí do blízkosti výrobku

(Obr. 10) Hladina akustického výkonu

(Obr. 11) Hladina hluku

(Obr. 12) Dlouhé vlasy si vyčesťte nahoru nad ramena

(Obr. 13) Výrobek odpovídá příslušným směrnici ES

(Obr. 14) Výrobek odpovídá příslušným směrnici EAC

(Obr. 15) Výrobek odpovídá příslušným směrnici platným na Ukrajině

---

**Povšimněte si:** Další symboly/štítky na produktu se týkají certifikačních požadavků pro další komerční oblasti.

---

### Emise Euro V



**VÝSTRAHA:** Manipulace s motorem vede k zneplatnění typového schválení EU tohoto výrobku.

---

### Odpovědnost za výrobek

Jak uvádí zákon o odpovědnosti za výrobek, neneseme odpovědnost za žádnou škodu způsobenou naším výrobkem, pokud:

- byl výrobek nesprávně opraven.
- byl výrobek opraven pomocí součástí od jiného výrobce nebo součástí, které nejsou výrobcem schváleny.

- má výrobek příslušenství od jiného výrobce nebo příslušenství, které není výrobcem schváleno.
- výrobek nebyl opraven ve schváleném servisním středisku nebo schváleným odborníkem.

## Bezpečnost

### Definice týkající se bezpečnosti

Níže uvedené definice uvádí úroveň vážnosti jednotlivých signálních slov.



**VÝSTRAHA:** Zranění osob.



**VAROVÁNÍ:** Poškození výrobku.

**Povšimněte si:** Díky těmto informacím je používání výrobku snazší.

### Obecné bezpečnostní pokyny



**VÝSTRAHA:** Před použitím výrobku si přečtěte následující varování.

- Používejte výrobek správně. Nesprávné používání může mít za následek zranění nebo smrt. Výrobek používejte pouze k činnostem uvedeným v tomto návodu. K jiným činnostem výrobek nepoužívejte.
- Řiďte se pokyny v návodu. Řiďte se bezpečnostními symboly a pokyny. Pokud se obsluha nebude řídit pokyny a symboly, může dojít ke zranění, poškození nebo smrti.
- Tento návod nevyhazujte. Použijte pokyny k sestavení, k používání a udržování výrobku v dobrém stavu. Použijte pokyny k správné montáži nástavců a příslušenství. Používejte pouze schválené nástavce a příslušenství.
- Nepoužívejte poškozený výrobek. Dodržujte plán údržby. Provádějte pouze údržbu, ke které najdete pokyny v tomto návodu. Veškerou údržbu musí provádět schválené servisní středisko.
- Tento návod nemůže obsahovat všechny situace, ke kterým při používání výrobku dochází. Buďte opatrní a používejte zdravý rozum. Výrobek nepoužívejte a neprovádějte údržbu, když si nejste jisti danou situací. Poradte se s odborníkem, prodejcem, servisním pracovníkem nebo schváleným servisním střediskem.
- Před montáží, uskladněním nebo údržbou výrobku odpojte kabel zapalovací svíčky.
- Pokud se změní původní specifikace výrobku, nepoužívejte ho. Bez schválení výrobcem neměňte žádné součásti výrobku. Používejte výhradně díly schválené výrobcem. Nesprávná údržba může mít za následek zranění nebo smrt.
- Nevdechujte výpary motoru. Dlouhodobé vdechování výfukových plynů z motoru představuje zdravotní riziko.
- Nestartujte výrobek uvnitř budovy ani v blízkosti hořlavých materiálů. Výfukové plyny jsou horké a mohou obsahovat jiskry, které by mohly zažehnout požár. Nedostatečné proudění vzduchu může způsobit zranění nebo smrt udušením nebo otravou kyslíčnickem uhelnatým.
- Při používání výrobku vytváří motor elektromagnetické pole. Elektromagnetické pole může poškodit implantované lékařské přístroje. Před použitím výrobku se poraďte s lékařem a výrobcem implantovaných lékařských přístrojů.
- Zamezte používání výrobku dětmi. Zamezte používání výrobku osobami, které neznají pokyny.
- Vždy sledujte osoby s fyzickým nebo mentálním postižením při práci s výrobkem. Vždy musí být přítomna zodpovědná dospělá osoba.
- Výrobek zamykejte na místě, kam nemají přístup děti a nežádoucí osoby.
- Produkt může způsobit vymrštění předmětů a následné poranění. Dodržujte bezpečnostní předpisy pro snížení rizika zranění a smrti.
- Neodcházejte od výrobku, když je spuštěný motor.
- Za případnou nehodu nese zodpovědnost obsluha výrobku.
- Před použitím se přesvědčte, že nejsou poškozeny součásti.
- Před použitím výrobku zajistěte, abyste byli ve vzdálenosti minimálně 15 m (50 stop) od ostatních osob a zvířat. Zajistěte, aby osoby ve vaší blízkosti věděly, že budete výrobek používat.
- Podrobnosti naleznete v mezinárodních a místních zákonech. Za určitých podmínek mohou použití výrobku zakazovat nebo omezovat.
- Nepoužívejte výrobek, jste-li unavení nebo pod vlivem alkoholu, drog nebo léků. Tyto faktory mohou ovlivnit váš zrak, pozornost, koordinaci nebo úsudek.

### Ochrana před vibracemi

Tento výrobek je určen pouze k příležitostnému provozu. Souvislý nebo pravidelný provoz tohoto výrobku může způsobit onemocnění rukou, tzv. bílé prsty, nebo podobné zdravotní problémy způsobené vibracemi. Pokud používáte výrobek souvisle nebo pravidelně, kontrolujte stav rukou a prstů. Pokud ruce nebo prsty zblednou, bolí, cítíte mravenčení nebo jsou



z necitlivěně, ukončete práce a promluvte si co nejdříve s lékařem.

## Bezpečnostní pokyny pro provoz foukače

- Používejte výrobek pouze k foukání nebo odstraňování listů a dalších nečistot na zemi.
- Nepoužívejte výrobek, jste-li unavení, nemocní nebo pod vlivem alkoholu, drog nebo léků.
- Osoby v okolí ani zvířata se nesmí vyskytovat blíže než 15 m (50 stop) od obsluhy.
- Výrobek může vysokou rychlostí vymrštit předměty, které se mohou odrazit a zasáhnout obsluhu. Může dojít k poranění očí.
- Trysky foukače nesměrujte na osoby ani zvířata.
- Dlouhé vlasy si vyčesťte nahoru nad ramena.
- Před prováděním montáže nebo demontáže příslušenství nebo jiných součástí vypněte motor.
- Nepoužívejte výrobek bez krytu.
- Pokud se v pracovní oblasti vyskytují osoby, nepracujte. Když do pracovní oblasti vstoupí jiná osoba, výrobek vypněte.
- Neprovozujte výrobek v prostoru s nedostatečným prouděním vzduchu. Nedostatečné proudění vzduchu může způsobit zranění nebo smrt udušením nebo otravou oxidem uhelnatým.
- Tlumič výfuku je velmi horký, když je výrobek spuštěn, když pracuje na volnoběžné otáčky i po jeho vypnutí. Buďte opatrní v blízkosti hořlavých materiálů a hořlavých plynů.
- Nedotýkejte se prostoru krytu nasávání. Udržujte šperky a volný oděv v bezpečné vzdálenosti od prostoru nasávání.
- Vždy udržujte správný postoj a provozujte výrobek pouze na bezpečném a rovném povrchu. Kluzké nebo nestabilní povrchy, například žebříky, mohou způsobit ztrátu rovnováhy nebo kontroly.
- Nepoužívejte výrobek ve výškách, například na střeše.
- Zajistěte produkt během přepravy.
- Výrobek používejte pouze v doporučených hodinách. Dodržujte místní předpisy. Obvyklá doporučení jsou 9:00 až 17:00, od pondělí do soboty.
- Výrobek používejte s nejmenším možným nastavením plynu pro danou práci.
- Ujistěte se, že při používání výrobku nemůžete spadnout. Při používání výrobku se nenaklánějte.
- Před zahájením provozu zkontrolujte, zda je výrobek v dobrém stavu, především tlumič výfuku, přívod vzduchu a vzduchový filtr.
- Před použitím výrobku použijte k uvolnění nečistot ze země hrábě nebo koště.
- Pokud je pracovní oblast prašná, postříkejte ji hadicí.
- Používejte výrobek jako alternativu hadice a šetřete tak vodou.
- Nečistoty odfukujte opatrně. Dávejte pozor na děti, zvířata, otevřená okna a vozidla.

- Nemířte výrobkem na rostliny, které se snadno poškodí.
- Nefoukejte vzduch ve směru objektů, jako jsou stěny, velké kameny, vozidla a ploty.
- Při práci ve vnitřních rozích foukejte od rohu do středu pracovní oblasti. V opačném případě vás mohou odletující předměty udeřit do obličeje a způsobit poranění očí.
- Používejte celý nástavec trysky, aby byl proud vzduchu co nejbliže u země.
- Osoby v okolí musí používat ochranu očí.
- Po použití vyhoďte nečistoty do nádob na odpad.

## Bezpečnostní pokyny pro provoz vysavače

- Chraňte ventilátor před poškozením. Nevysávejte velké, pevné předměty, například dřevo, plechovky, gumovou drť nebo dlouhé provázky.
- Trubka vysavače nesmí narážet do země.
- Než začnete odstraňovat zablokovaný nebo uvízlý materiál, vypněte motor a odpojte koncovku kabelu zapalovací svíčky.

## Osobní ochranné prostředky

- Při práci s výrobkem vždy používejte správné osobní ochranné prostředky. Osobní ochranné prostředky neodstraňují nebezpečí zranění. Osobní ochranné prostředky snižují úroveň zranění v případě nehody.
- Při práci s výrobkem vždy používejte schválenou ochranu očí.
- Nepracujte s výrobkem bosí nebo v otevřených botách. Vždy používejte odolnou obuv s protiskluzovou podrážkou.
- Používejte silné, dlouhé kalhoty.
- V případě nutnosti používejte schválené ochranné rukavice.
- Pokud hrozí nebezpečí pádu nějakého předmětu, použijte helmu.
- Při práci s výrobkem vždy používejte schválenou ochranu sluchu. Dlouhodobé působení hluku může způsobit ztrátu sluchu vyvolanou hlukem.
- Při práci v prašném prostředí vždy používejte schválenou protiprachovou masku.
- Přesvědčte se, že máte v dosahu k dispozici lékárníčku.

## Ochranná zařízení na produktu

- Zajistěte pravidelnou údržbu výrobku.
  - Prodlouží se tím jeho životnost.
  - Sniží se nebezpečí nehody.

U schváleného prodejce nebo ve schváleném servisním středisku nechte výrobek pravidelně kontrolovat, seřídit nebo případně opravit.

- Nepoužívejte výrobek s poškozenými ochrannými prostředky. V případě poškození výrobku se obraťte na schválené servisní středisko.

## Stop spínač (vypínač zapalování)

Nastartujte motor. Zkontrolujte, zda se motor zastaví při přesunutí vypínače zapalování do polohy zastavení. (Obr. 16)

## Tlumič výfuku



**VÝSTRAHA:** Nedotýkejte se tlumiče výfuku, dokud nevychladne. Tlumič výfuku je velmi horký, když je motor spuštěný i po jeho vypnutí. Při kontaktu s tlumičem výfuku může dojít k popálení.

- Nepoužívejte motor s poškozeným tlumičem. Poškozený tlumič zvyšuje úroveň hluku a nebezpečí požáru. Vždy mějte poblíž hasicí přístroj.
- Pravidelně kontrolujte, zda je k výrobku namontován tlumič.
- Nedotýkejte se běžícího motoru ani tlumiče. Motoru ani tlumiče se nedotýkejte ani nějakou dobu po zastavení motoru. Horký povrch může způsobit zranění.
- Horký tlumič může způsobit požár. Buďte opatrní, pokud výrobek používáte v blízkosti hořlavých kapalin a plynů.
- Pokud je tlumič poškozen, nedotýkejte se jeho součástí. Součásti mohou obsahovat karcinogenní chemikálie.
- Některé modely foukačů mají sítko lapače jisker. Sítko čistěte a měňte v stanovených intervalech. Viz část Údržba (*Údržba na strani 45*).

(Obr. 17)

## Bezpečnost při manipulaci s palivem

- Pokud je na výrobku palivo nebo olej, nespouštějte ho. Nechtěné palivo/olej z výrobku odstraňte a nechte výrobek uschnout. Nechtěné palivo z výrobku odstraňte.
- Pokud si palivem polijete oblečení, okamžitě se převlékněte.
- Zabraňte styku paliva s tělem, může způsobit zranění. Pokud se palivo na vaše tělo dostane, omyjte se vodou a mýdlem.
- Pokud polijete výrobek nebo sebe olejem nebo palivem, nespouštějte motor výrobku.
- Nepouštějte motor, pokud z něj něco uniká. Pravidelně kontrolujte, jestli z motoru nic neuniká.
- Při manipulaci s palivem buďte opatrní. Palivo je hořlavé a výpary jsou výbušné a mohou způsobit zranění nebo smrt.

- Nevdechujte palivové výpary, mohou způsobit zranění. Zajistěte dostatečný průtok vzduchu.
- V blízkosti paliva ani motoru nekuřte.
- Do blízkosti paliva ani motoru neumistujte horké předměty.
- Když je spuštěný motor, nedoplňujte palivo.
- Než začnete doplňovat palivo, přesvědčte se, že je motor studený.
- Než doplníte palivo, pomalu otevřete uzávěr palivové nádrže a opatrně uvolněte tlak.
- Palivo do motoru nedoplňujte ve vnitřních prostorech. Nedostatečné proudění vzduchu může způsobit zranění nebo smrt udušením nebo otravou kyslíčnickem uhelnatým.
- Uzávěr palivové nádrže pečlivě dotáhněte, aby nedošlo k požáru.
- Než výrobek spustíte, přejděte s ním minimálně 3 m (10 stop) od místa, kde jste doplňovali palivo.
- Palivovou nádrž nepřepněte.
- Přesvědčte se, že při pohybu výrobku nebo nádoby na palivo nemůže dojít k úniku.
- Výrobek ani nádobu na palivo neumistujte do míst s otevřeným ohněm, jiskrami nebo zapalovacími plamínkem. Přesvědčte se, že v oblasti uložení nevyskytuje otevřený plamen.
- Pro přenášení a skladování paliva používejte pouze schválené nádoby.
- Před dlouhodobým uskladněním vyprázdněte palivovou nádrž. Dodržujte místní zákony ohledně likvidace paliva.
- Před dlouhodobým uskladněním výrobek vyčistěte.
- Než výrobek uskladníte, odstraňte kabel zapalovací svíčky, aby motor nahodile nenastartoval.

## Bezpečnostní pokyny pro údržbu



**VÝSTRAHA:** Nesprávná údržba může mít za následek vážné poškození motoru nebo vážné zranění.

Vlastník je odpovědný za provádění veškeré nezbytné údržby tak, jak je stanovena v návodu k používání. Před prováděním údržby odpojte zapalovací svíčku. Neodpojujte zapalovací svíčku, dokud neprovedete seřízení karburátoru.

## Montáž



**VÝSTRAHA:** Než výrobek sestavíte, přečtěte si kapitolu o bezpečnosti.

## Montáž trubky foukače a trysky na výrobek

**Povšimněte si:** Šroub musí být dostatečně povelý, aby bylo možné vložit trubku foukače do vývodu

foukače. Povolte šroub šroubovákem proti směru hodinových ručiček.

1. Vyrovnajte žebro na horní trubce foukače s drážkou vývodu foukače. Posuňte trubku do příslušné polohy.
2. Utáhněte šroub šroubovákem ve směru hodinových ručiček.

**Povšimněte si:** Nepoužívejte žádný nástroj na matici.

3. Vyrovnajte žebro na spodní trubku foukače s jazýčky na horní trubce foukače. Posuňte spodní trubku foukače na horní trubku foukače.
4. Otočte spodní trubkou foukače ve směru hodinových ručiček tak, aby zacvakla.

## Montáž sběrného vaku s různými trubkami vysavače



**VÝSTRAHA:** Před připevňováním trubek k výrobku vypněte motor.

### Montáž sběrného vaku

1. Otevřete sběrný vak.
2. Vložte trubku sběrného vaku z vnitřní strany vaku, aby ji bylo možné připevnit do otvoru vysavače.
3. Zkontrolujte, zda je elastická část usazena v drážce (A).
4. Zavřete zip na vaku. (Obr. 18)

### Upevnění trubky sběrného vaku

1. Sejměte trubku foukače, pokud je instalovaná.
2. Zarovnejte žebro na trubce sběrného vaku (A) s drážkou na vývodu foukače (B).

3. Trubku sběrného vaku zcela nasuňte na vývod foukače.
4. Vložte matici (C) do otvoru.
5. Utáhněte šroub (D) šroubovákem pro připevnění trubky. (Obr. 19)

## Spojení trubek vysavače

1. Zarovnejte šipku na spodní trubce vysavače (A) se šipkou na horní trubce vysavače (B).
2. Zatlačte spodní trubku vysavače do horní trubky vysavače.
3. Pomocí šroubováku namontujte samořezný šroub (C), který drží trubky u sebe. (Obr. 20)

## Upevnění trubek vysavače

1. Zasuňte špičku šroubováku do místa západky sacího otvoru.
2. Otočením šroubováku uvolněte západku. (Obr. 21)
3. Než nainstalujete horní trubku vysavače, nechte kryt sacího otvoru otevřený.
4. Zarovnejte žebra na vnitřní straně sacího otvoru s drážkami na horní trubce vysavače. Zkontrolujte, zda je symbol zámku na trubici zarovnan s symbolem odemknutí na sacím otvoru. (Obr. 22)
5. Horní trubku vysavače zcela zatlačte do sacího otvoru.
6. Otáčejte horní trubkou vysavače ve směru hodinových ručiček, dokud se symbol zámku na trubici nezarovná se symbolem zámku na sacím otvoru. Při správném připojení trubky uslyšíte cvaknutí. (Obr. 23)

## Provoz



**VÝSTRAHA:** Než začnete s výrobkem pracovat, přečtěte si důkladně kapitolu o bezpečnosti.

### Palivo

#### Používání paliva



**VAROVÁNÍ:** Tento výrobek má dvoutaktní motor. Používejte směs benzínu a motorového oleje. Zajistěte správné množství oleje ve směsi. Nesprávný poměr benzínu a oleje může způsobit poškození motoru.

### Benzín



**VAROVÁNÍ:** Nepoužívejte benzín s oktanovým číslem nižším než 90 RON (87 AKI). Můžete tím výrobek poškodit.



**VAROVÁNÍ:** Nepoužívejte benzín s koncentrací etanolu vyšší než 10 % (E10). Můžete tím výrobek poškodit.



**VAROVÁNÍ:** Nepoužívejte olovnatý benzín. Můžete tím výrobek poškodit.

- Vždy používejte bezolovnatý benzín oktanovým číslem minimálně 90 RON (87 AKI) s koncentrací etanolu nižší než 10 % (E10).

- Pokud výrobek používáte často s průběžně vyššími otáčkami motoru, používejte benzín s vyšším oktanovým číslem.
- Vždy používejte směs kvalitního bezolovnatého benzínu a oleje.

### Oil pro dvoutaktní motory

- Používejte pouze vysoce kvalitní olej pro dvoutaktní motory. Používejte pouze olej pro vzduchem chlazené motory.
- Jiné druhy oleje nepoužívejte.
- Poměr směsi 50:1 (2 %)

Benzín	Olej
1 U.S. Gal.	77 ml (2,6 unce)
1 UK Gal.	95 ml (3,2 unce)
5 l	100 ml (3,4 oz)

### Výroba palivové směsi

**Povšimněte si:** Při míchání paliva vždy používejte čistou nádobu na palivo.

**Povšimněte si:** Nevyrábějte víc palivové směsi, než kolik potřebujete na 30 dní.

1. Přidejte polovinu množství benzínu.
2. Přidejte celé množství oleje.
3. Protřepáním směs promíchejte.
4. Přidejte zbývající benzín.
5. Protřepáním směs promíchejte.
6. Naplňte palivovou nádrž.

### Přidání paliva

- Používejte nádoby na palivo s plnicím hrdlem s ochrannou proti přeplnění.
- Pokud je nějaké palivo na nádobě, odstraňte ho a nechte nádobu uschnout.
- Okolí uzávěru palivové nádrže musí být čisté.
- Než nalijete palivovou směs do palivové nádrže, protřepejte nádobu s palivem.

### Zapnutí a vypnutí

#### Před spuštěním motoru

- Zkontrolujte, jestli na výrobku nechybí součásti, nejsou povolené nebo opotřebované.
- Zkontrolujte sběrný vak. Zkontrolujte, zda není sběrný vak poškozený a zda je zip zavřený.
- Zkontrolujte matice, vruty a šrouby.
- Zkontrolujte vzduchový filtr.
- Zkontrolujte správnou funkci páčky plynu.
- Zkontrolujte správnou funkci vypínače zapalování.

- Zkontrolujte, zda z výrobku neuniká palivo.

### Spuštění studeného motoru



**VÝSTRAHA:** Nikdy neomotávejte startovací šňůru kolem ruky.



**VAROVÁNÍ:** Výrobek nepřidržíte nohou.



**VAROVÁNÍ:** Nevytahujte startovací šňůru až do koncové polohy. Když je startovací šňůra zcela vytažená, nepouštějte rukojeť. Mohlo by dojít k poškození výrobku.

**Povšimněte si:** Pokud se motor zastaví, posuňte ovládání sytiče do uzavřené polohy a proveďte znovu postup startování.

1. Doplníte do palivové nádrže čistou palivovou směs.
2. Desetkrát za sebou stiskněte palivovou pumpičku. (Obr. 24)
3. Přesuňte ovládání sytiče motoru do polohy FULL CHOKE (plný sytič, uzavřená poloha). (Obr. 25)
4. Zatačte ovládání proměnlivé rychlosti zcela proti směru hodinových ručiček. (Obr. 26)
5. Levou rukou přidržíte tělo stroje na zemi.
6. Tahejte za rukojeť startéru, než se motor pokusí naskočit. Netahejte za rukojeť více než třikrát.
7. Posuňte ovládání sytiče do polohy 1/2 a tahejte za rukojeť startovací šňůry, dokud motor nenastartuje. (Obr. 27)
8. Nechte motor asi 10 sekund běžet.
9. Stiskněte nadoraz páčku plynu a podržte ji v této poloze. To platí pro všechny zbývající kroky.
10. Přesuňte ovladač sytiče do polohy OFF CHOKE (vypnutý sytič, otevřená poloha). (Obr. 28)
11. Nechte motor 1 minutu zahřívát.

### Spuštění teplého motoru

1. Stiskněte a podržte páčku plynu.
2. Posuňte ovládání sytiče do polohy 1/2.
3. Rychle zatáhněte za rukojeť startovací šňůry se zmáčknutou páčkou plynu, dokud motor nenastartuje.
4. Přesuňte ovladač sytiče do polohy OFF CHOKE (vypnutý sytič, otevřená poloha).

### Vypnutí motoru

- Stiskněte a uvolněte spínač STOP motoru. Spínač se automaticky vrátí do polohy ON (zapnuto). Než znovu nastartujete výrobek, počkejte 7 sekund, aby bylo jisté, že se spínač resetuje.

## Použití trysky

- Používejte standardní trysku, pokud potřebujete přesnou práci s velkým proudem vzduchu. (Obr. 29)
- Používejte vysokorychlostní trysku, když potřebujete širší proud vzduchu a vysokou rychlost vzduchu. (Obr. 30)

## Nastavení trysky foukače

1. Otočením trysky doleva deaktivujete bajonet.
2. Posuňte trysku do příslušné polohy.
3. Otočte trysku doprava, dokud neucítíte cvaknutí.

## Vysávání

Než začnete vysávat, oblečte si nezbytnou bezpečnostní výbavu.



**VÝSTRAHA:** Před použitím zkontrolujte, zda není sběrný vak poškozený a zda je zip zavřený. Nepoužívejte poškozený vak. To předchází zranění, které mohou způsobit odletující předměty. Levostranný provoz zvyšuje riziko. Nedotýkejte se tělem prostoru výfuku.



**VÝSTRAHA:** Nestartujte foukač, pokud je kryt nasávání otevřený nebo poškozený

## Údržba



**VÝSTRAHA:** Než začnete výrobek čistit, opravovat nebo provádět údržbu, přečtěte si důkladně kapitolu o bezpečnosti.

## Schéma technické údržby

Vždy dodržujte plán údržby. Intervaly se vypočítávají z každodenního používání výrobku. Pokud výrobek nepoužíváte každý den, intervaly se liší. Provádějte pouze údržbu, kterou najdete v tomto návodu. Pokud chcete provést údržbu, která není v tomto návodu uvedena, obraťte se na schválené servisní středisko.

### Denní údržba

- Vyčistěte vnější povrchy.
- Zkontrolujte funkci ovládání rychlosti a páčky plynu. Poškozené díly vyměňte
- Zkontrolujte stop spínač. V případě potřeby součást vyměňte.
- Zkontrolujte volnoběžné otáčky.
- Vyčistěte vzduchový filtr. V případě potřeby součást vyměňte.
- Zkontrolujte, zda lze kryt nasávání zajistit v uzavřené poloze. Zkontrolujte, zda je ventilátor čistý.
- Utáhněte všechny matice a šrouby.
- Zkontrolujte, zda nejsou kryty prasklé.

(kromě případů, kdy je instalována trubka vysavače).

- Během provozu foukače je třeba nést sběrný vak na ramenním popruhu. Popruh musí spočívat na rameni.
- Nastartujte foukač. Řiďte se pokyny v části věnované spouštění a vypínání *Zapnutí a vypnutí na strani 44*. Přečtěte si bezpečnostní pokyny *Bezpečnost na strani 40*.

## Vyprázdnění sběrného vaku



**VÝSTRAHA:** Vždy zkontrolujte sběrný vak. Před použitím zkontrolujte, zda není poškozený a zda je zip zavřený. Nepoužívejte poškozený vak. Hrozí nebezpečí poranění odletujícími předměty. Dávejte pozor při levostranném provozu. Nedotýkejte se prostoru výfuku.

1. Zastavte produkt.
2. Otevřete zip na boku.
3. Vyprázdňte sběrný vak.
4. Zapněte zip.

- Zkontrolujte, zda není sběrný vak poškozený a zda je zip funkční. V případě potřeby vyměňte vak.

### <:fc 1>Týdenní údržba<:/fc>

- Zkontrolujte stav startéru, startovací šňůry a napínací pružiny. Vyměňte všechny poškozené součásti.
- Zkontrolujte stav nasávání vzduchu na startéru. Pokud je přívod vzduchu ucpaný, odstraňte nečistoty.
- Očistěte vnější stranu zapalovací svíčky. Odmontujte ji a zkontrolujte vzdálenost elektrod. Upravte vzdálenost na 6 mm nebo vyměňte zapalovací svíčku.
- Vyčistěte lopatky ventilátoru.
- Vyčistěte sítku lapače jisker a v případě potřeby ji vyměňte (není přítomná u tlumičů výfuku s katalyzátorem).
- Očistěte oblast karburátoru.
- Vyčistěte vzduchový filtr.

### Měsíční údržba

- Zkontrolujte rukojeť a lano startéru.
- Vyčistěte palivovou nádrž.
- Očistěte karburátor a jeho okolí.
- Vyčistěte lopatky ventilátoru.

- Zkontrolujte, zda není palivové vedení prasklé nebo jinak poškozené. V případě potřeby jej vyměňte
- Vyměňte palivový filtr v palivové nádrži.
- Zkontrolujte všechny elektrické kabely a konektory.
- Vyměňte zapalovací svíčku.
- Vyměňte vzduchový filtr.

#### Roční údržba

- Zkontrolujte zapalovací svíčku.
- Vyčistěte vnější povrch karburátoru a okolní oblast.
- Vyčistěte chladicí systém.
- Zkontrolujte sítko lapače jisker.
- Zkontrolujte palivový filtr.
- Zkontrolujte, zda není poškozená palivová hadice.
- Zkontrolujte všechny elektrické kabely a konektory.

#### 50 hodin provozu

- Ve schváleném servisním středisku nechte opravit nebo vyměnit tlumič.

### Úprava volnoběžných otáček

- Než nastavíte volnoběh, zkontrolujte čistotu vzduchového filtru a to, zda je nasazen kryt vzduchového filtru.
- Pomocí stavěcího šroubu T, který je popsán symbolem T, nastavte volnoběžné otáčky.
- Rychlost volnoběhu je správná tehdy, když má motor klidný chod v každé poloze.

(Obr. 31)

1. Chcete-li zvýšit otáčky, otočte šroubem pro seřízení volnoběžných otáček ve směru hodinových ručiček.
2. Chcete-li snížit otáčky, otočte šroubem pro seřízení volnoběžných otáček proti směru hodinových ručiček.

### Údržba sítka lapače jisker

Vyčistěte sítko lapače jisker drátěným kartáčem.

### Čištění chladicího systému

(Obr. 32)

Vyčistěte součásti chladicího systému kartáčem.

### Kontrola zapalovací svíčky



**VAROVÁNÍ:** Vždy používejte doporučený typ zapalovacích svíček. Nesprávný typ zapalovací svíčky může způsobit poškození výrobku.

- Zkontrolujte zapalovací svíčku, pokud má motor malý výkon, špatné startuje nebo nefunguje správně ve volnoběžných otáčkách.
- Aby se snížilo nebezpečí přítomnosti nechtěných materiálů na elektrodách zapalovací svíčky, dodržujte tyto pokyny:
  - a) Zkontrolujte, zda jsou správně nastaveny volnoběžné otáčky.
  - b) Zkontrolujte správnost palivové směsi.
  - c) Zkontrolujte, zda je vzduchový filtr čistý.
- Jestliže je zapalovací svíčka znečištěná, vyčistěte ji a zkontrolujte, zda je vzdálenost elektrod zapalovací svíčky správná, viz část *Technické údaje na strani 46*. (Obr. 33)
- V případě potřeby zapalovací svíčku vyměňte.

### Údržba vzduchového filtru

#### Čištění vzduchového filtru

1. Odmontujte kryt vzduchového filtru a vzduchový filtr. (Obr. 34)
2. Vyčistěte filtr teplou mýdlovou vodou. Před montáží zkontrolujte, že je vzduchový filtr suchý.
3. Pokud je vzduchový filtr tak znečištěný, že jej nelze vyčistit, vyměňte ho. Poškozený vzduchový filtr vždy vyměňte.
4. Pokud je váš výrobek vybaven pěnovým filtrem, naneste olej na vzduchové filtry. Olej na vzduchové filtry naneste pouze na pěnový filtr. Nenanášejte olej na vzduchové filtry na plstěný filtr.

## Technické údaje

	jednotka	125B (125B28HV)	125BX (125B28HV)	125BVX (125B28HV)
<b>Specifikace motoru</b>				
Zdvihový objem válce	cm <sup>3</sup>	28	28	28
Vzdálenost elektrod	mm	0,6	0,6	0,6
Objem palivové nádrže	cm <sup>3</sup>	500	500	500
Volnoběžné otáčky	min <sup>-1</sup>	2800 až 3200	2800 až 3200	2800 až 3200

Maximální otáčky	min <sup>-1</sup>	8000	8000	8000
Výstupní výkon	kW	0,8	0,8	0,8
Zapalovací svíčka		Champion RCJ-6Y	Champion RCJ-6Y	Champion RCJ-6Y
Maximální otáčky, režim foukání	min <sup>-1</sup>	8600	8600	8600
Maximální rychlost, režim vysávání	min <sup>-1</sup>	--	7500	7500
Životnost vzhledem k tvorbě emisí	h	125	125	125
<b>Údaje o hluku a vibracích</b>				
Ekvivalentní hladina vibrací na rukojeti s trubkami foukače a tryskou (originální díly) – viz poznámka 1	m/s <sup>2</sup>	11,03	11,03	11,03
Ekvivalentní hladina vibrací na rukojeti s trubkami vysavače (originální díly), levá/pravá strana – viz poznámka 1	m/s <sup>2</sup>	--/--	12,16/12,29	12,16/12,29
Ekvivalentní hladina akustického tlaku v uších obsluhy měřená podle normy ISO 22868 s trubkami foukače a tryskou (originální díly) – viz poznámka 3	dB (A)	96	96	96
Hladina akustického tlaku v uších osoby v okolí měřená podle normy ANSI B175.2 s trubkami foukače a tryskou (originální díly)	dB (A)	71	71	71
Hladina akustického výkon, naměřená (L <sub>WA</sub> ) – viz poznámka 2	dB (A)	109	109	109
Hladina akustického výkon, garantovaná (L <sub>WA</sub> ) – viz poznámka 2	dB (A)	112	112	112
<b>Rozměry produktu</b>				
Hmotnost (bez paliva, ale s nasazenou tryskou foukače a standardní tryskou)	kg	4.3	4.4	4.4
<b>Poznámka 1:</b> Uváděná data pro ekvivalentní hladinu vibrací mají typickou statistickou odchylku (standardní odchylku) 1 m/s <sup>2</sup> .				
<b>Poznámka 2:</b> Emise hluku v životním prostředí měřené jako akustický výkon (L <sub>WA</sub> ) v souladu se směrnicí 2000/14/EU. Uváděná hladina akustického výkonu pro stroj byla měřena s originálním nástavcem, který generuje nejvyšší hladinu. Rozdíl mezi garantovaným a měřeným akustickým výkonem je v tom, že garantovaný akustický výkon rovněž zahrnuje rozptyl výsledků měření a rozdíly mezi různými stroji téhož modelu podle Směrnice 2000/14/ES.				
<b>Poznámka 3:</b> Uváděná data pro ekvivalentní hladinu akustického tlaku pro stroj mají typickou statistickou odchylku (standardní odchylku) 1 dB (A).				

Ventilátor	Jednotka	125B	125BX	125BVX
Typ		Radiální ventilátor	Radiální ventilátor	Radiální ventilátor
Max. rychlost vzduchu, standardní tryska	km/h	217	217	217
Max. rychlost vzduchu, vysokorychlostní tryska*	km/h	273	273	273

Množství vzduchu, režim foukání	cfm	425	425	425
Množství vzduchu, režim vysávání	cfm	--	445	445
*volitelné příslušenství pro některé modely				

## Příslušenství

125B, 125BX, 125BVX	
<b>Schválené příslušenství</b>	<b>Typ</b>
Sada na čištění okapů	952 711 918
125BX, 125BX	
<b>Schválené příslušenství</b>	<b>Typ</b>
Sada pro vysávání	952 711 913
125B	
<b>Schválené příslušenství</b>	<b>Typ</b>
Vysokorychlostní hubice	545 119 501

## Obsah prohlášení o shodě EU

My, společnost Husqvarna AB, SE 561 82 Huskvarna, SWEDEN, zcela zodpovědně prohlašujeme, že příslušný výrobek:

Popis	Gasoline Blower/ Blower-Vacuum
Značka	Husqvarna
Platforma / typ / model	Platforma 125B28HV představující model 125B, 125BX, 125BVX
Šarže	Výrobní číslo od roku 2019 a dále

je zcela ve shodě s následujícími směrnicemi a předpisy EU:

Směrnice/předpis	Popis
2006/42/EC	„o strojních zařízeních“
2014/30/EC	„o elektromagnetické kompatibilitě“
2000/14/EC	„o venkovním hluku“

Směrnice/předpis	Popis
2011/65/EU	„o omezení používání některých nebezpečných látek“

Platí následující harmonizované normy anebo technické specifikace: EN ISO 12100, EN ISO 1186-1, CISPR 12, ISO 14982, EN 50581

Deklarované úrovně hluku jsou uvedeny v části s technickými údaji této příručky a podepsaném prohlášení o shodě EU ve shodě se směrnicí 2000/14/EC, příloha V.

Společnost Intertek provedla jménem společnosti Husqvarna AB dobrovolnou zkoušku zaručující Certifikát o shodě podle Směrnice 2006/42/EC Evropské rady pro strojní zařízení.

Tento certifikát, který je poskytnut na podepsaném prohlášení o shodě, se vztahuje na všechny výrobní závody a země původu uvedené na produktu.

Dodaný Gasoline Blower/ Blower-Vacuum je shodný se vzorkem, který prošel zkouškou.



---

# Indhold

---

Indledning.....	49	Vedligeholdelse.....	55
Sikkerhed.....	50	Tekniske data.....	56
Montering.....	53	Tilbehør.....	58
Drift.....	53	Indhold i EF-overensstemmelseserklæring.....	58

---

## Indledning

---

### Brugervejledning

Det oprindelige sprog i denne brugervejledning er engelsk. Brugervejledninger på andre sprog er oversættelser fra engelsk.

(Fig. 1)

1. Skulderrem (125BVX)
2. Gasregulering
3. Stopkontakt
4. Omdrejningstalregulering
5. Blæserhus
6. Brændstoffankdækse
7. Luftfilter
8. Choker
9. Spædepumpe
10. Indsugningsdækse
11. Sugehåndtag (125BX og 125BVX)
12. Skærere (125BX og 125BVX)
13. Kasteblæser
14. Standardmundstykke
15. Turbo-mundstykke (125BX og 125BVX)
16. Blæserør
17. Rørets klemmebolt
18. Slangebåndets møtrikker
19. Lyddæmper
20. Jordforbindelsesledning
21. Starthåndtag
22. Startenhed
23. Justerskrue til karburator
24. Brugervejledning
25. Sugeapparat med opsamlingskomponenter, der består af elementerne 26-30 nedenfor
26. Opsamlingsposens rør
27. Opsamlingspose
28. Sugerør i to sektioner
29. Skrue
30. Skulderrem

### Symboler på produktet

(Fig. 2) Advarsel

(Fig. 3) Læs denne vejledning

### Oversigt

(Fig. 4) Brug godkendt hørevern

(Fig. 4) Brug godkendt øjenværn

(Fig. 4) Brug godkendt støvmaske

(Fig. 5) Brug godkendte beskyttelseshandsker

(Fig. 6) Produktet kan forårsage, at genstande slynges ud, hvilket kan forårsage skader på øjnene

(Fig. 7) Sikkerhedsafstand

(Fig. 8) Du må ikke gå tæt på kasteblæseren, når den drejer

(Fig. 9) Lad ikke børn være i nærheden af produktet

(Fig. 10) Lydeffektniveau

(Fig. 11) Støjniveau

(Fig. 12) Sørg for, at langt hår sættes op, så det er over skuldrene

(Fig. 13) Produktet er i overensstemmelse med gældende EF-direktiver

(Fig. 14) Produktet er i overensstemmelse med gældende EAC-direktiver

(Fig. 15) Produktet er i overensstemmelse med gældende ukrainske direktiver

---

**Bemærk:** Andre symboler/mærkater på produktet henviser til certificeringskrav i andre handelsområder.

---

### Euro V-emissioner



**ADVARSEL:** Ved manipulation af motoren bortfalder EU-typegodkendelsen af dette produkt.

---

## Produktansvar

Som nævnt i produktansvarsbestemmelserne hæfter vi ikke for skader forårsaget af vores produkt, hvis:

- produktet er forkert repareret.
- produktet er repareret med dele, der ikke er fra producenten eller ikke er godkendt af producenten

- produktet har tilbehør, der ikke er fra producenten eller ikke er godkendt af producenten.
- produktet ikke er repareret på et godkendt servicecenter eller af en godkendt myndighed.

---

## Sikkerhed

---

### Sikkerhedsdefinitioner

Definitionerne nedenfor angiver alvorligheden for hvert enkelt signalord.



**ADVARSEL:** Skade på personer.



**BEMÆRK:** Beskadigelse af produktet.

**Bemærk:** Disse oplysninger gør det lettere at bruge produktet.

### Generelle sikkerhedsinstruktioner



**ADVARSEL:** Læs følgende advarselsinstruktioner, inden du bruger produktet.

- Brug produktet korrekt. Forkert brug kan medføre personskader eller dødsfald. Brug kun produktet til de opgaver, der angives i denne vejledning. Brug ikke produktet til andre opgaver.
- Følg instruktionerne i denne vejledning. Overhold sikkerhedssymboler og sikkerhedsinstruktioner. Hvis operatøren ikke følger vejledningen og symbolerne, kan det medføre personskader, beskadigelse eller dødsfald.
- Smid ikke denne vejledning ud. Brug vejledningen til at samle, betjene og vedligeholde dit produkt. Brug vejledningen til korrekt montering af udstyr og tilbehør. Brug kun godkendt udstyr og tilbehør.
- Brug ikke et beskadiget produkt. Overhold vedligeholdelsesskemaet. Udfør kun det vedligeholdelsesarbejde, du kan finde vejledning til i denne vejledning. Et godkendt servicecenter skal udføre alt andet vedligeholdelsesarbejde.
- Denne vejledning beskriver ikke alle situationer, der kan opstå, når du bruger produktet. Vær forsigtig og brug din sunde fornuft. Du må ikke bruge produktet eller foretage vedligeholdelse på produktet, hvis du ikke er sikker på, hvad du skal gøre. Snak med en produktexperts, forhandler, et serviceværksted eller et godkendt servicecenter for at få mere at vide.
- Fjern kablet fra tændrøret, før du samler produktet, sætter produktet til opbevaring eller foretager vedligeholdelse.
- Brug ikke produktet, hvis det er blevet ændret fra den oprindelige specifikation. Du må ikke ændre dele af produktet uden producentens godkendelse. Brug kun dele, der er godkendt af producenten. Forkert vedligeholdelse kan medføre personskader eller dødsfald.
- Indånd ikke dampe fra motoren. Langvarig indånding af motorens udstødningsgasser er sundhedsskadelig.
- Start ikke produktet indendørs eller i nærheden af brandfarligt materiale. Udstødningsgasserne er varme og kan indeholde gnister, der kan starte en brand. Utilstrækkelig luftstrøm kan forårsage personskader eller dødsfald på grund af kvælning eller kuliite.
- Motoren danner et elektromagnetisk felt, når du bruger dette produkt. Det elektromagnetiske felt kan beskadige medicinske implantater. Tal med din læge og producenten af det medicinske implantat, før du betjener produktet.
- Lad ikke børn betjene produktet. Lad ikke en person uden kendskab til vejledningen betjene produktet.
- Sørg for at overvåge personer med nedsat fysisk eller mental kapacitet, der bruger produktet. En voksen skal være til stede hele tiden.
- Lås produktet inde i områder, hvor børn og uautoriserede personer ikke kan få adgang.
- Produktet kan slynge genstande ud og forårsage skader. Overhold sikkerhedsinstruktionerne for at mindske risikoen for personskader eller dødsfald.
- Du må ikke gå væk fra produktet, når motoren er tændt.
- Brugeren af produktet er ansvarlig, hvis der sker et uheld.
- Sørg for, at delene ikke er beskadigede, før du bruger produktet.
- Sørg for, at du som minimum er 15 m væk fra andre personer eller dyr, før du bruger produktet. Sørg for, at personer i det nærliggende område ved, at du bruger produktet.
- Overhold nationale eller lokale love. Visse love kan forhindre eller mindske brugen af produktet under nogle forhold.
- Brug ikke produktet, hvis du er træt eller påvirket af alkohol, narkotika eller medicin. Det kan påvirke dit

syn, din opmærksomhed, din koordination eller din dømmekraft.

## Vibrationssikkerhed

Dette produkt er kun til lejlighedsvis brug. Vedvarende eller regelmæssig brug af produktet kan forårsage "hvide fingre" eller tilsvarende medicinske problemer på grund af vibrationer. Hold øje med dine hænder og fingre, hvis du betjener produktet vedvarende eller regelmæssigt. Hvis dine hænder eller fingre har misfarvning, gør ondt, snurrer eller er følelsesløse, skal du stoppe arbejdet og tale med en læge med det samme.

## Sikkerhedsinstruktioner til brug af løvblæseren

- Brug kun apparatet til at blæse eller suge blade og andet affald væk fra jorden.
- Brug aldrig produktet, hvis du er træt, syg eller har indtaget alkohol, narkotika eller medicin.
- Lad ikke andre personer eller dyr opholde sig inden for 15 m af brugeren.
- Produktet kan slynge genstande ud ved høj hastighed, der kan rikolettere og ramme brugeren. Dette kan forårsage øjenskader.
- Ret ikke løvblæserens mundstykke mod personer eller dyr.
- Sørg for, at langt hår sættes, så det er over skuldrene.
- Stands motoren, før du samler eller skiller tilbehør eller andre komponenter ad.
- Du må ikke bruge produktet uden afskærmningen.
- Betjen ikke produktet, hvis der er personer i arbejdsområdet. Stop produktet, hvis en person går ind i arbejdsområdet.
- Brug ikke produktet i et rum med utilfredsstillende udluftning. Hvis udluftningen er utilstrækkelig, kan det forårsage personskader eller dødsfald på grund af kvælning eller kullite.
- Lyddæmperen er meget varm, mens produktet er tændt, efter det er stoppet, og når det kører i tomgangshastighed. Vær forsigtig i nærheden af brandfarlige materialer og brandfarlige gasser.
- Rør ikke ved indsugningsdækslets område. Hold smykker og løst hængende tøj væk fra indsugningsområdet.
- Sørg altid for korrekt fodfæste, og brug kun produktet på sikre og jævne overflader. Glatte eller ustabile overflader, f.eks. stiger, kan medføre, at du mister balancen eller kontrollen.
- Du må ikke bruge produktet på et højt beliggende område, f.eks. på et tag.
- Fastgør produktet under transport.
- Brug kun produktet på det anbefalede tidspunkt. Overhold de lokale bestemmelser. Normalt anbefales kl. 9:00 til 17:00 fra mandag til og med lørdag.

- Brug produktet ved den lavest mulige gas for at udføre arbejdet.
- Sørg for, at du ikke kan falde, når du bruger produktet. Stå ikke skråt, når du bruger produktet.
- Sørg for, at produktet er i god stand før drift, specielt lyddæmperen, luftindsugning og luftfilteret.
- Anvend en rive eller en kost til at løse affald på jorden inden brug af produktet.
- Hvis arbejdsområdet er snavset, skal du sprøjte det med en vandslange.
- Brug produktet som alternativ til en vandslange for at spare vand.
- Blæs affald på en sikker måde. Vær på vagt over for børn, dyr, åbne vinduer eller køretøjer.
- Ret aldrig produktet mod skrøbelige planter.
- Der må ikke blæses luft i retning af genstande såsom vægge, store sten, køretøjer eller hegn.
- Skål du arbejde i de inderste hjørner, blæs da fra hjørnet og ind mod midten af arbejdsområdet. Hvis ikke kan affald ramme dig i ansigtet og forårsage øjenskader.
- Brug den fulde mundstykkeforlængelse til at holde luftstrømmen tæt ved jorden.
- Det er nødvendigt, at andre tilstedeværende bruger øjenværn.
- Bortskaf affaldet i affaldsbeholdere efter brugen af produktet.

## Sikkerhedsanvisninger for betjening af sugeren

- Undgå skader på blæseren. Undlad at opsuge store, faste genstande såsom træ, dåser, gummifliser eller lange stykker snor.
- Lad ikke sugerøret falde ned på jorden.
- Stop motoren, og afbryd tændhætten, før du fjerner en blokering eller tilstoppet materiale.

## Personligt beskyttelsesudstyr

- Brug altid korrekt personligt beskyttelsesudstyr, når du bruger produktet. Personligt beskyttelsesudstyr fjerner ikke risikoen for skader. Personligt beskyttelsesudstyr mindsker eventuelle skader, hvis der sker et uheld.
- Anvend altid godkendt øjenværn, når du betjener produktet.
- Du må ikke betjene produktet med bare fødder eller åbne sko. Brug altid kraftige, skridsikre støvler.
- Brug kraftige, lange bukser.
- Hvis det er nødvendigt, skal du bruge godkendte beskyttelseshandsker.
- Brug en hjelm, hvis der er risiko for, at genstande kan falde ned på dit hoved.
- Brug altid godkendt høreværn, når du bruger produktet. Støj over længere perioder kan forårsage støjbetinget høretab.
- Anvend altid en godkendt støvmaske, når du bruger produktet i støvede omgivelser.

- Sørg for, at du har en førstehjælpskasse i nærheden.

## Beskyttelsesanordninger på produktet

- Sørg for, at du regelmæssigt foretager vedligeholdelse af produktet.
  - Levetiden for produktet øges.
  - Risikoen for ulykker mindskes.

Lad en godkendt forhandler eller et godkendt servicecenter regelmæssigt undersøge produktet og udføre justeringer eller reparationer.

- Brug ikke et produkt, hvis beskyttelsesudstyret er beskadiget. Hvis produktet er beskadiget, skal du kontakte et godkendt servicecenter.

## Stopkontakt

Start motoren. Sørg for, at motoren stopper, når stopkontakten sættes i stopposition. (Fig. 16)

## Lyddæmper



**ADVARSEL:** Rør ikke lyddæmperen, hvis den er varm. Lyddæmperen er meget varm, mens motoren kører, og efter den stopper. Hvis du rører ved lyddæmperen, kan det medføre forbrændinger.

- Brug ikke motoren med en defekt lyddæmper. En defekt lyddæmper øger støjniveauet og risikoen for brand. Hav en brandslukker i nærheden.
- Undersøg regelmæssigt, om lyddæmperen er fastgjort til produktet.
- Rør ikke ved motoren eller lyddæmperen, når motoren er tændt. Rør ikke ved motoren eller lyddæmperen et stykke tid, efter at motoren stopper. Varme overflader kan medføre personskader.
- En varm lyddæmper kan forårsage brand. Vær forsigtig, hvis du bruger produktet i nærheden af brændbare væsker eller gasser.
- Rør ikke delene i lyddæmperen, hvis lyddæmperen er beskadiget. Delene kan indeholde visse kræftfremkaldende kemikalier.
- Nogle blæsermodeller har en gnistfangerskærm. Rengør og udskift skærmen i foreskrevne intervaller. Se afsnittet Vedligeholdelse (*Vedligeholdelse på side 55*).

(Fig. 17)

## Brændstofsikkerhed

- Start ikke produktet, hvis der er brændstof eller motorolie på produktet. Fjern uønsket brændstof/olie og lad produktet tørre. Fjern uønsket brændstof fra produktet.
- Hvis du får brændstof på dit tøj, skal du skifte tøj med det samme.
- Undgå at få brændstof på kroppen, da det kan forårsage personskader. Hvis du får brændstof på

kroppen, skal du bruge sæbe og vand til at fjerne brændstoffet.

- Start ikke motoren, hvis du får olie eller brændstof på produktet eller på din krop.
- Start ikke produktet, hvis motoren lækker. Undersøg regelmæssigt motoren for lækager.
- Vær forsigtig med brændstof. Brændstof er letantændeligt og dampe er eksplosive og kan medføre personskader eller dødsfald.
- Undgå at indånde brændstoffodampene, da det kan forårsage personskader. Sørg for, at der er tilstrækkelig luftstrøm.
- Ryg ikke i nærheden af brændstof eller motor.
- Anbring ikke varme genstande i nærheden af brændstof eller motor.
- Fyld ikke brændstof på, når motoren er tændt.
- Sørg for, at motoren er afkølet, inden du fylder brændstof på.
- Før du fylder brændstof på, skal du åbne brændstofføntankens dæksel langsomt og forsigtigt udløse trykket.
- Fyld ikke brændstof på motoren i et indendørs område. Utilstrækkelig med luftstrøm kan forårsage personskader eller dødsfald på grund af kvælning eller kulilte.
- Spænd dækslet på brændstofføntanken omhyggeligt, ellers kan der opstå brand.
- Flyt produktet minimum 3 m fra det sted, hvor du fyldte tanken, før du starter det.
- Fyld ikke for meget brændstof i brændstofføntanken.
- Sørg for, at der ikke er lækager, når du flytter produktet eller brændstofføntanken.
- Anbring ikke produktet eller en brændstofføntank på steder med åben ild, gnister eller tændflammer. Sørg for, at der ikke er åben ild i opbevaringsområdet.
- Brug kun godkendte tanke, når du flytter brændstoffet eller sætter det til opbevaring.
- Tøm brændstofføntanken før langtidsoopbevaring. Overhold lokal lovgivning om bortskaffelse af brændstof.
- Rengør produktet før langtidsoopbevaring.
- Fjern kablet fra tændrøret inden opbevaring for at sikre, at motoren ikke starter utilsigtet.

## Sikkerhedsinstruktioner for vedligeholdelse



**ADVARSEL:** Ukorrekt vedligeholdelse kan resultere i alvorlige maskinskader eller personskader.

Ejeren af redskabet er ansvarlig for, at al den nødvendige vedligeholdelse, der er beskrevet i brugervejledningen, bliver udført. Tændrørskablet skal altid frakobles før vedligeholdelse. Frakobl ikke tændrøret før justeringer af karburator.

---

## Montering

---



**ADVARSEL:** Læs kapitlet om sikkerhed, før du samler produktet.

---

### Sådan monterer du blæserøret og mundstykke på produktet

---

**Bemærk:** Bolten skal være tilstrækkeligt løs til at sætte blæseren ind i blæserudgangen. Drej skruen mod uret med en skruetrækker for at løsne den.

1. Placer ribben på øverste blæserør ud for rillen i blæserudgangen. Flyt røret på plads.
2. Drej bolten med uret med en skruetrækker for at fastgøre røret.

**Bemærk:** Brug ikke ethvert værktøj på møtrikken.

3. Placer slidserne i nederste blæserør ud for tappene i øverste blæserør. Flyt nederste blæserør op på øverste blæserør.
4. Drej det nederste blæserør med uret, indtil der lyder et klik.

---

### Sådan monteres opsamlingsposen med forskellige sugerør

---



**ADVARSEL:** Sluk motoren, før du fastgør rørene til produktet.

---

### Sådan tømmes opsamlingsposen

---

1. Åbn opsamlingsposen.
2. Indfør opsamlingsækkens rør fra sækkens inderside i sækkens sugeåbning.
3. Sørg for, at elastikken sidder i rillen (A).
4. Luk sækkens lynlås. (Fig. 18)

---

### Sådan monteres opsamlingsposens rør

1. Fjern blæserøret, hvis det er monteret.
2. Placer ribben på opsamlingsposens rør (A) ud for rillen i blæserafgangen (B).
3. Skub opsamlingsposens rør helt ned på blæserafgangen.
4. Sæt møtrikken (C) i åbningen.
5. Isæt skruen (D), og spænd den med en skruetrækker for at fastgøre røret. (Fig. 19)

---

### Sådan monteres sugerrørene sammen

1. Placer pilen i det nederste sugerør (A) med pilen på det øverste sugerør (B).
2. Tryk nederste sugerør ind i indsugningen på det øverste sugerør.
3. Brug en skruetrækker til at montere den selvsikrørende skrue (C), der holder rørene sammen. (Fig. 20)

---

### Sådan monteres sugerørene

1. Sæt spidsen af en skruetrækker i låsepunktet på indsugningen.
2. Drej skruetrækkeren for at udløse låsen. (Fig. 21)
3. Hold dækslet til indsugningen åbent, til det øverste sugerør sidder på plads.
4. Placer ribben i øverste indsugningsrør, så den er ud for tappene på indersiden af sugerøret. Sørg for låsesymbolet på sugerøret flugter med oplåsnings symbolet på indsugningen. (Fig. 22)
5. Tryk det øverste sugerør helt ind i indsugningen.
6. Drej det øverste sugerør med uret, indtil låsesymbolet på røret er på linje med låsesymbolet på indsugningen. Røret afgiver et klik, når det er korrekt monteret. (Fig. 23)

---

## Drift

---

forhold mellem benzin og olie kan forårsage beskadigelse af motoren.



**ADVARSEL:** Læs og forstå kapitlet om sikkerhed, før du betjener produktet.

---

### Brændstof

---

#### Sådan bruger du brændstof

---



**BEMÆRK:** Dette produkt har en totaktsmotor. Brug en blanding af benzin og totaktsmotorolie. Sørg for at anvende den korrekte mængde olie i blandingen. Forkert



**BEMÆRK:** Brug ikke benzin med et oktantal mindre end 90 RON (87 AKI). Det kan forårsage skader på produktet.



**BEMÆRK:** Brug ikke benzin med en ethanol koncentration på mere end 10 %

(E10). Det kan forårsage skader på produktet.



**BEMÆRK:** Brug ikke blyholdig benzin. Det kan forårsage skader på produktet.

- Brug altid ny blyfri benzin med et oktantal på minimum 90 RON (87 AKI) og med en ethanolconcentration på mindre end 10 % (E10).
- Brug aldrig benzin med højere oktantal, hvis du ofte bruger produktet ved et konstant højt motoromdrejningstal.
- Brug altid en blanding af blyfri benzin og olie af god kvalitet.

### Totaktsmotorolie

- Brug kun totaktsmotorolie af høj kvalitet. Brug kun luftkølet motorolie.
- Brug ikke andre typer olie.
- Blandingsforhold 50:1 (2 %)

Benzin	Olie
1 US gal	77 ml (2,6 oz)
1 UK gal.	95 ml (3,2 oz)
5 l	100 ml (3,4 oz)

### Sådan laver du brændstofblandingen

**Bemærk:** Brug altid en ren brændstoffunk, når du blander brændstoffet.

**Bemærk:** Lav ikke en brændstofblanding til mere end 30 dage.

1. Tilføj halvdelen af benzinen.
2. Tilføj al olien.
3. Ryst brændstofblandingen for at blande indholdet.
4. Hæld resten af benzinen i.
5. Ryst brændstofblandingen for at blande indholdet.
6. Fyld brændstoffranken.

### Sådan påfylder du brændstof

- Brug altid en brændstoffunk med overløbsikring.
- Hvis der er brændstof på dunken, skal du fjerne det uønskede brændstof og lade dunken tørre.
- Sørg for, at området i nærheden af brændstoffdækslet er rent.
- Ryst brændstoffunken, før du fylder brændstofblandingen i brændstoffranken.

## Sådan starter og stopper du

### Før du starter motoren

- Undersøg produktet for manglende, beskadigede, løse eller slidte dele.
- Undersøg opsamlingsposen. Sørg for, at opsamlingsposen ikke er beskadiget, og lynlåsen er lukket.
- Undersøg møtrikker, skruer og bolte.
- Undersøg luftfilteret.
- Undersøg, om gasreguleringen fungerer korrekt.
- Undersøg, om stopkontakten fungerer korrekt.
- Undersøg produktet for brændstoftækager.

### Sådan starter du en kold motor



**ADVARSEL:** Vikl aldrig startsnoren rundt om armen.



**BEMÆRK:** Hold aldrig produktet med foden.



**BEMÆRK:** Træk ikke i startsnoren til slutpositionen. Slip ikke startrebets håndtag, når startrebet udvides. Dette kan beskadige produktet.

**Bemærk:** Hvis motoren standser, flyttes chokerhåndtaget til den lukkede position, og startrinnene udføres igen.

1. Fyld brændstoffranken med ren brændstofblanding i tanken.
2. Tryk på spædepumpen 10 gange (Fig. 24)
3. Skub motorens chokerhåndtag til positionen FULL CHOKE (lukket). (Fig. 25)
4. Skub den variable omdrejningstalregulering hele vejen mod uret. (Fig. 26)
5. Brug venstre hånd til at holde maskinkroppen mod jorden.
6. Træk i håndtaget til startrebet, indtil motoren prøver at starte. Træk ikke mere end 3 gange.
7. Sæt chokerhåndtaget til den 1/2 position, og træk i starthåndtaget, indtil motoren starter og kører. (Fig. 27)
8. Lad motoren køre i ca. 10 sekunder.
9. Tryk på og hold gasreguleringen helt nede i alle resterende trin.
10. Sæt chokerhåndtaget i positionen OFF CHOKE (åben). (Fig. 28)
11. Varm motoren op i 1 minut.

## Sådan starter du en varm motor

1. Tryk og hold gasreguleringen inde.
2. Sæt chokerhåndtaget i 1/2 position.
3. Træk i starthåndtaget hurtigt, mens du trækker gasreguleringen, indtil motoren kører.
4. Sæt chokerhåndtaget i positionen OFF CHOKE (åben).

## Sådan standses motoren

- Tryk på og slip STOP-knappen til motoren. Knappen går automatisk tilbage til ON-positionen (tændt). Vent 7 sekunder, før du forsøger at genstarte produktet for at sikre, at kontakten nulstilles.

## Sådan bruger du et mundstykke

- Brug standardmundstykket, når præcision og høj koncentration af luftstrøm er nødvendig. (Fig. 29)
- Brug turbo-mundstykket, når en bredere luftstrøm og stor luftshastighed er nødvendig. (Fig. 30)

## Sådan justerer du løvblæserens mundstykke

1. Drej mundstykket mod venstre for at frigøre bajonetfatningen.
2. Sæt mundstykket i den ønskede position.
3. Drej mundstykket mod højre, indtil du mærker et klik.

## Sådan suger du

Tag det nødvendige sikkerhedsudstyr på, inden du suger.



**ADVARSEL:** Sørg for, at opsamlingsposen ikke er beskadiget, og at lynlåsen lukker før

brug. Brug ikke en pose, hvis den er beskadiget. Dette forhindrer personskader forårsaget af flyvende affald. Betjening med venstre hånd øger risikoen. Lad ikke kroppen komme i berøring med udstødningsområdet.



**ADVARSEL:** Start ikke løvblæseren, hvis indsugningsdækslet er åbent eller beskadiget (medmindre sugerøret er monteret).

- Når løvblæseren anvendes, skal opsamlingsposen holdes fast af skulderremmen. Stroppen skal bæres på toppen af skulderen.
- Start løvblæseren. Overhold anvisningerne i start- og stopafsnittet *Sådan starter og stopper du på side 54*. Læs sikkerhedsinstruktionerne *Sikkerhed på side 50*.

## Sådan tømmer du opsamlingsposen



**ADVARSEL:** Undersøg altid opsamlingsposen. Sørg for, at den ikke er beskadiget, og at lynlåsen er lukket før brug. Brug ikke en beskadiget pose. Der er risiko for skader på grund af udslyngt affald. Vær forsigtig, hvis betjening med venstre hånd er aktiveret. Rør ikke ved udstødningsområdet.

1. Stands produktet.
2. Åbn lynlåsen i siden.
3. Tøm opsamlingsposen.
4. Luk lynlåsen.

## Vedligeholdelse



**ADVARSEL:** Læs og forstå sikkerhedskapitlet, før du rengør, reparerer eller udfører vedligeholdelse på produktet.

## Vedligeholdelsesskema

Sørg for, at du overholder vedligeholdelsesskemaet. Intervallerne er fastlagt baseret på daglig brug af produktet. Intervallerne er anderledes, hvis du ikke bruger produktet hver dag. Foretag kun vedligeholdelsesarbejde, som beskrevet i denne vejledning. Snak med et godkendt servicecenter vedrørende yderligere vedligeholdelsesarbejde, som ikke er beskrevet i denne vejledning.

### Dagligt eftersyn

- Rengør de uønskede overflader.

- Undersøg, at omdrejningstalreguleringen og gasreguleringen fungerer. Udskift beskadigede dele
- Undersøg stopkontakten. Udskift det, hvis det er nødvendigt.
- Undersøg tomgangshastigheden.
- Rens luftfilteret. Udskift det, hvis det er nødvendigt.
- Sørg for, at indsugningsdækslet kan låses i lukket position. Sørg for, at kasteblæseren er ren.
- Spænd alle møtrikker og skruer.
- Sørg for, at husene er fri for revner.
- Sørg for, at opsamlingsposen er intakt, og at lynlåsen fungerer. Posen udskiftes om nødvendigt.

### Ugentligt eftersyn

- Undersøg startapparatets tilstand, startrebet og spændefederen. Udskift alle beskadigede dele.
- Undersøg luftindtagets tilstand ved startapparatet. Fjern affald, hvis luftindtaget er tilstoppet.

- Rengør tændrøret udvendigt. Afmonter det, og undersøg elektrodeafstanden. Juster afstanden til 6 mm, eller udskift tændrøret.
- Rengør knive på kasteblæseren.
- Rengør gnistfangerskærmen, og udskift den om nødvendigt (ikke på lyddæmpere med katalysator).
- Rengør området omkring karburatoren.
- Rens luftfilteret.

#### Månedligt eftersyn

- Undersøg starthåndtaget og startrebet.
- Rengør brændstoftanken.
- Rengør karburatoren og området omkring dette.
- Rengør knive på kasteblæseren.
- Undersøg brændstofslinger for tegn på revner eller andre skader. Udskift om nødvendigt
- Udskift brændstoffilteret i brændstoftanken
- Undersøg alle kabler og tilslutninger.
- Udskift tændrøret.
- Udskift luftfilteret.

#### Årlig vedligeholdelse

- Undersøg tændrøret.
- Rengør de udvendige overflader på karburatoren og dens tilstødende områder.
- Rengør kølesystemet.
- Undersøg gnistfangerskærmen.
- Undersøg brændstoffilteret.
- Undersøg brændstofslangen for skader.
- Undersøg alle kabler og tilslutninger.

#### 50 timers vedligeholdelse

- Få et godkendt servicecenter til at reparere eller udskifte lyddæmperen.

### Sådan justerer du tomgangshastigheden

- Sørg for, at luftfilteret er rent og at luftfilterdækslet er fastgjort, før du justerer tomgangshastigheden.
- Juster tomgangshastigheden med den ledige justerskrue T, som er markeret med et "T".
- Tomgangshastigheden er korrekt, når motoren kører jævnt i alle positioner.

(Fig. 31)

1. Drej justerskruen med uret for højere hastighed.
2. Drej justerskruen mod uret for lavere hastighed.

### Sådan foretager du vedligeholdelse på gnistfangerskærmen

Brug en stålborste til at rengøre gnistfangerskærmen.

### Sådan renser du kølesystemet

(Fig. 32)

Rens delene i kølesystemet med en børste.

### Sådan undersøger du tændrøret



**BEMÆRK:** Brug altid anbefalet tændrørstype. Forkert tændrørstype kan forårsage skader på produktet.

- Undersøg tændrøret, hvis motoren mangler kraft, ikke starter nemt eller ikke fungerer korrekt i tomgangshastighed.
- Sådan mindsker du risikoen for uønsket materiale på tændrørets elektroder, følg disse instruktioner:
  - a) Sørg for, at omdrejningstallet i tomgang er indstillet korrekt.
  - b) Sørg for, at brændstofblandingen er korrekt.
  - c) Sørg for, at luftfilteret er rent.
- Hvis tændrøret er beskidt, skal det renses, og samtidig skal det kontrolleres, at elektrodeafstanden er korrekt, se *Tekniske data på side 56*. (Fig. 33)
- Udskift tændrøret, når det er nødvendigt.

### Sådan foretager du vedligeholdelse af luftfilteret

#### Rengøring af luftfilteret

1. Fjern luftfilterdækslet og luftfiltret. (Fig. 34)
2. Rens luftfilteret med varmt sæbevand. Sørg for, at luftfilteret er tørt, før du sætter det i igen.
3. Udskift luftfilteret, hvis det er for beskidt til at rengøres helt. Udskift altid et beskadiget luftfilter.
4. Hvis produktet har et skumluftfilter, skal du påføre luftfilterolie. Anvend kun luftfilterolie til et skumfilter. Anvend ikke olie i et filfilter.

## Tekniske data

	enhed	125B (125B28HV)	125BX (125B28HV)	125BVX (125B28HV)
<b>Motorspecifikationer</b>				
Cylindervolumen	cm <sup>3</sup>	28	28	28



Elektrodeafstand	mm	0,6	0,6	0,6
Brændstoftankvolumen	cm <sup>3</sup>	500	500	500
Tomgangshastighed	min <sup>-1</sup>	2800-3200	2800-3200	2800-3200
Maksimalt omdrejningstal	min <sup>-1</sup>	8000	8000	8000
Motoreffekt	kW	0,8	0,8	0,8
Tændrør		Champion RCJ-6Y	Champion RCJ-6Y	Champion RCJ-6Y
Maksimalt omdrejningstal for blæsetilstand	min <sup>-1</sup>	8600	8600	8600
Maksimalt omdrejningstal for sugetilstand	min <sup>-1</sup>	--	7500	7500
Emissionsholdbarhedstid	t	125	125	125
<b>Støj- og vibrationsoplysninger</b>				
Tilsvarende vibrationsniveau i håndtag med blæserør og mundstykke (original) – se note 1	m/s <sup>2</sup>	11,03	11,03	11,03
Tilsvarende vibrationsniveau i håndtag med et sugerør (original), venstre/højre – se note 1	m/s <sup>2</sup>	--/--	12,16/12,29	12,16/12,29
Tilsvarende lydtryksniveau ved operatørens øre målt i henhold til ISO 22868 udstyret med blæserør og mundstykke (original) – se note 3	dB(A)	96	96	96
Lydtryksniveau for personer i nærheden målt i henhold til ISO 22868 udstyret med blæserør og mundstykke (original)	dB(A)	71	71	71
Støjniveau, målt – se note 2	dB(A)	109	109	109
Støjniveau, garanteret (L <sub>WA</sub> ) – se note 2	dB(A)	112	112	112
<b>Produktmål</b>				
Vægt (uden brændstof, men med blæserøret og standardmundstykke monteret)	kg	4,3	4,4	4,4
<b>Note 1:</b> Rapporterede data for ækvivalent vibrationsniveau har en typisk statistisk spredning (standardafvigelse) på 1 m/s <sup>2</sup> .				
<b>Note 2:</b> Emission af støj til omgivelserne målt som lydeffekt (L <sub>WA</sub> ) i henhold til EF-direktiv 2000/14/EF. Rapporteret lydeffektniveau for maskinen er målt med det originale udstyr, der giver det højeste niveau. Forskellen mellem garanteret og målt lydeffekt er, at den garanterede lydeffekt også omfatter spredning i måleresultatet og variationerne mellem forskellige maskiner af samme model i henhold til direktivet 2000/14/EF.				
<b>Note 3:</b> Rapporterede data for ækvivalent lydtryksniveau for maskinen har en typisk statistisk spredning (standardafvigelse) på 1 dB(A).				

Ventilator	Enhed	125B	125BX	125BVX
Type		Radialventilator	Radialventilator	Radialventilator
Maks. lufthastighed ved standardmundstykke	km/t	217	217	217
Maks. lufthastighed, turbo-mundstykke*	km/t	273	273	273

Luftvolumen blæsetilstand	cfm	425	425	425
Luftvolumen for sugetilstand	cfm	--	445	445
*ekstraudstyr til visse modeller				

## Tilbehør

125B, 125BX, 125BVX	
<b>Godkendt tilbehør</b>	<b>Type</b>
Rengøringssæt til tagrende	952 711 918
125BX, 125BX	
<b>Godkendt tilbehør</b>	<b>Type</b>
Sugesæt	952 711 913
125B	
<b>Godkendt tilbehør</b>	<b>Type</b>
Turbo-mundstykke	545 119 501

## Indhold i EF-overensstemmelseserklæring

Vi, Husqvarna AB, SE 561 82 Huskvarna, SWEDEN, erklærer under eneansvar, at det pågældende produkt:

Beskrivelse	Gasoline Blower/ Blower-Vacuum
Mærke	Husqvarna
Platform / type / model	Platform125B28HV, repræsenterer model 125B, 125BX, 125BVX
Batch	Serienumre fra 2019 og fremefter

overholder følgende EU-direktiver og bestemmelser:

Direktiv/bestemmelser	Beskrivelse
2006/42/EC	"vedrørende maskiner"
2014/30/EC	"vedrørende elektromagnetisk kompatibilitet"
2000/14/EC	"vedrørende udendørs støj"

Direktiv/bestemmelser	Beskrivelse
2011/65/EU	"begrænsning af anvendelsen af visse farlige stoffer"

Harmoniserede standarder og/eller tekniske specifikationer anvendt er følgende: EN ISO 12100, EN ISO 1186-1, CISPR 12, ISO 14982, EN 50581

I overensstemmelse med direktiv 2000/14/EC, bilag V, er de erklærede lydverdier angivet i afsnittet om tekniske data i denne manual og i den underskrevne EF-overensstemmelseserklæring.

Intertek har udført en frivillig afprøvning på vegne af Husqvarna AB med opnåelse af overensstemmelsesattest iht. Rådets maskindirektiv 2006/42/EC.

Certifikatet, som findes i den underskrevne EF-overensstemmelseserklæring, gælder for alle produktionssteder og oprindelseslande, som angivet på produktet.

Den leverede Gasoline Blower/ Blower-Vacuumstemmer overens med det eksemplar, der har gennemgået afprøvningen.

---

# Inhalt

---

Einleitung.....	59	Wartung.....	66
Sicherheit.....	60	Technische Daten.....	68
Montage.....	63	Zubehör.....	69
Betrieb.....	64	Inhalt der EG-Konformitätserklärung.....	69

---

## Einleitung

---

### Bedienungsanleitung

Die Ausgangssprache dieser Betriebsanleitung ist Englisch. Bedienungsanleitungen in anderen Sprachen sind Übersetzungen aus dem Englischen.

(Abb. 1)

1. Schultergurt (125BVX)
2. Gashebel
3. Stoppschalter
4. Drehzahlregelung
5. Lüftergehäuse
6. Kraftstofftankdeckel
7. Luftfilter
8. Choke
9. Kraftstoffpumpe
10. Einlassabdeckung
11. Saugrohrgriff (125BX und 125BVX)
12. Fräsen (125BX und 125BVX)
13. Lüfterrad
14. Standardblasdüse
15. Hochgeschwindigkeits-Blasdüse (125BX und 125BVX)
16. Blasrohr
17. Rohrschelle
18. Muttern der Rohrschellen
19. Schalldämpfer
20. Erdungsleiter
21. Starthandgriff
22. Startvorrichtung
23. Vergaserstellschraube
24. Bedienungsanleitung
25. Sauggerät mit Aufsammler-Komponenten, die untenstehende Punkte 26-30 umfassen
26. Rohr des Fangsacks
27. Fangsack
28. Zweiteiliges Saugrohr
29. Schraube
30. Schultergurt

### Übersicht

- (Abb. 4) Tragen Sie einen zugelassenen Gehörschutz
- (Abb. 4) Tragen Sie einen zugelassenen Augenschutz
- (Abb. 4) Tragen Sie eine zugelassene Atemschutzmaske
- (Abb. 5) Tragen Sie zugelassene Schutzhandschuhe
- (Abb. 6) Das Gerät kann Objekte umherschleudern und Augenverletzungen verursachen
- (Abb. 7) Sicherheitsabstand
- (Abb. 8) Kommen Sie dem sich drehenden Lüfterrad nicht zu nahe
- (Abb. 9) Lassen Sie nicht zu, dass sich Kinder dem Gerät nähern
- (Abb. 10) Schalleistungspegel
- (Abb. 11) Geräuschpegel
- (Abb. 12) Achten Sie darauf, langes Haar über den Schultern zusammenzubinden
- (Abb. 13) Dieses Gerät entspricht den geltenden CE-Richtlinien
- (Abb. 14) Dieses Gerät entspricht den geltenden EAC-Richtlinien
- (Abb. 15) Dieses Gerät entspricht den geltenden Richtlinien der Ukraine

---

**Hinweis:** Weitere Symbole/Aufkleber auf dem Gerät beziehen sich auf die Zertifizierungsanforderungen für andere kommerzielle Bereiche.

---

### Symbole auf dem Produkt

(Abb. 2) Warnung

(Abb. 3) Lesen Sie diese Bedienungsanleitung

## Emissionen nach Euro V

---



**WARNUNG:** Bei jeglichen Manipulationen des Motors erlischt die EU-Typgenehmigung für dieses Produkt.

---

## Produkthaftung

Im Sinne der Produkthaftungsgesetze übernehmen wir keine Haftung für Schäden, die unser Gerät verursacht, wenn...

---

## Sicherheit

---

### Sicherheitsdefinitionen

Die nachstehenden Definitionen geben den Schweregrad für jedes Signalwort an.

---



**WARNUNG:** Personenschäden.

---



**ACHTUNG:** Schäden am Gerät.

---

**Hinweis:** Diese Informationen erleichtern die Verwendung des Geräts.

---

### Allgemeine Sicherheitshinweise



**WARNUNG:** Lesen Sie die folgenden Warnhinweise, bevor Sie das Gerät benutzen.

---

- Verwenden Sie das Gerät ordnungsgemäß. Eine falsche Verwendung kann zu schweren bis tödlichen Verletzungen führen. Verwenden Sie das Gerät nur für die in dieser Betriebsanleitung aufgeführten Arbeiten. Verwenden Sie das Gerät nicht für andere Aufgaben.
- Beachten Sie die Anweisungen in dieser Bedienungsanleitung. Beachten Sie die Symbole und die Sicherheitshinweise. Die Nichtbeachtung der Anweisungen und Symbole kann zu Verletzungen oder zum Tod führen.
- Werfen Sie diese Bedienungsanleitung nicht weg. Verwenden Sie die Anweisungen für das Zusammensetzen und den Betrieb, und halten Sie Ihr Gerät in gutem Zustand. Befolgen Sie die Anweisungen für die korrekte Installation von Anbaugeräten und Zubehörteilen. Verwenden Sie ausschließlich zugelassene Anbaugeräte und Zubehörteile.
- Verwenden Sie das Gerät nicht, wenn es beschädigt ist. Halten Sie sich an den Wartungsplan. Führen Sie nur diejenigen Wartungsarbeiten aus, die Sie in den

- das Gerät nicht ordnungsgemäß repariert wird.
- das Gerät mit Teilen repariert wird, die nicht vom Hersteller stammen oder nicht vom Hersteller zugelassen sind.
- ein Zubehörteil mit dem Gerät verwendet wird, das nicht vom Hersteller stammt oder nicht vom Hersteller zugelassen ist.
- das Gerät nicht bei einem zugelassenen Service Center oder von einem zugelassenen Fachmann repariert wird.

Anweisungen in dieser Bedienungsanleitung finden. Alle sonstigen Wartungsarbeiten müssen von einer autorisierten Servicewerkstatt durchgeführt werden.

- Diese Bedienungsanleitung kann nicht alle Situationen abdecken, die bei der Verwendung des Geräts auftreten können. Seien Sie immer vorsichtig und arbeiten Sie mit gesundem Menschenverstand. Führen Sie keine Arbeiten mit dem Gerät oder Wartungen am Gerät durch, wenn Sie sich in einer Situation unsicher sind. Wenden Sie sich an einen Produktfachmann, Ihren Fachhändler, Ihren Service Vertreter oder das autorisierte Service Center für weitere Informationen.
- Ziehen Sie den Zündkerzenstecker ab, bevor Sie das Gerät zusammenbauen, einlagern oder warten.
- Verwenden Sie das Gerät nicht, wenn es nicht mehr der ursprünglichen Spezifikation entspricht. Ändern Sie kein Teil des Geräts ohne Genehmigung des Herstellers. Verwenden Sie nur Teile, die vom Gerätehersteller zugelassen sind. Eine falsche Wartung kann zu schweren bis tödlichen Verletzungen führen.
- Atmen Sie die Abgase des Motors nicht ein. Das Einatmen der Motorabgase über längere Zeit kann eine Gefahr für die Gesundheit darstellen.
- Das Gerät sollte nicht im Innenbereich oder in der Nähe von feuergefährlichen Stoffen gestartet werden. Die Abgase sind heiß und können Funken erzeugen, die einen Brand verursachen können. Eine mangelhafte Luftzirkulation kann zu schweren oder tödlichen Verletzungen durch Ersticken oder eine Kohlenmonoxidvergiftung führen.
- Wenn Sie das Gerät nutzen, erzeugt der Motor ein elektromagnetisches Feld. Das elektromagnetische Feld kann medizinische Implantate beschädigen. Sprechen Sie vor der Inbetriebnahme des Geräts mit Ihrem Arzt und dem Hersteller des medizinischen Implantats.
- Lassen Sie nicht zu, dass Kinder das Gerät verwenden. Erlauben Sie nicht, dass Personen ohne Kenntnis der Anweisungen das Gerät bedienen.
- Stellen Sie sicher, dass Personen mit verminderter physischer oder psychischer Leistungsfähigkeit dieses Gerät nicht unbeobachtet verwenden. Es

- muss immer ein verantwortlicher Erwachsener anwesend sein.
- Verschießen Sie das Gerät in einem Bereich, zum dem Kinder und nicht autorisierte Personen keinen Zugang haben.
  - Das Gerät kann Objekte auswerfen und Verletzungen verursachen. Beachten Sie die Sicherheitshinweise, um das Risiko von Verletzungen oder Tod zu verringern.
  - Entfernen Sie sich nicht vom Gerät, wenn der Motor eingeschaltet ist.
  - Der Bediener des Geräts trägt bei einem Unfall die Verantwortung.
  - Überprüfen Sie vor dem Gebrauch das Gerät auf schadhafte Teile.
  - Achten Sie vor dem Gebrauch des Geräts darauf, einen Mindestabstand von 15 m von anderen Personen oder von Tieren einzuhalten. Stellen Sie sicher, dass Personen im angrenzenden Bereich wissen, dass Sie das Gerät benutzen.
  - Halten Sie sich an nationale und lokale gesetzliche Bestimmungen. Diese können den Betrieb des Geräts unter bestimmten Bedingungen verhindern oder einschränken.
  - Verwenden Sie das Gerät nicht, wenn Sie müde sind oder unter Einfluss von Alkohol, Drogen oder Medikamenten stehen, die Ihre Sehkraft, Aufmerksamkeit, Körperkontrolle oder Ihr Urteilsvermögen beeinträchtigen könnten.

## Vibrationen Sicherheit

Dieses Produkt ist nur für den gelegentlichen Einsatz gedacht. Der kontinuierliche oder regelmäßige Betrieb des Geräts kann „Weißfingerkrankheit“ oder entsprechende gesundheitliche Probleme durch Vibrationen verursachen. Untersuchen Sie den Zustand Ihrer Hände und Finger, wenn Sie das Gerät dauerhaft oder in regelmäßigen Abständen bedienen. Wenn Ihre Hände oder Finger Verfärbungen aufweisen, diese sich taub anfühlen oder Sie Schmerzen oder Kribbeln spüren, unterbrechen Sie die Arbeit, und suchen Sie sofort einen Arzt auf.

## Sicherheitshinweise für den Betrieb des Laubblasgeräts

- Dieses Produkt ist nur für das Zusammenblasen und Aufsaugen von Laub und sonstigem Unrat auf dem Boden geeignet.
- Arbeiten Sie nicht mit dem Gerät, wenn Sie müde oder krank sind oder Alkohol, Drogen oder Medikamenten zu sich genommen haben.
- Umstehende Personen oder Tiere dürfen sich dem Bediener höchstens auf 15 m nähern.
- Das Gerät kann Gegenstände mit hoher Geschwindigkeit auswerfen, die abprallen und den Bediener treffen können. Dadurch können Verletzungen an den Augen entstehen.

- Richten Sie die Ausblasöffnung nicht auf Personen oder Tiere.
- Achten Sie darauf, langes Haar über den Schultern zusammenzubinden.
- Stellen Sie den Motor ab, bevor Sie ein Zubehörlteil oder andere Komponenten an- oder abmontieren.
- Benutzen Sie das Gerät nicht, wenn die Abdeckung abmontiert ist.
- Benutzen Sie das Gerät nicht, wenn sich Personen im Arbeitsbereich befinden. Halten Sie das Gerät an, wenn eine Person den Arbeitsbereich betritt.
- Verwenden Sie das Gerät nicht in Räumen mit unzureichender Belüftung. Eine unzureichende Luftzirkulation kann zu schweren oder tödlichen Verletzungen durch Erstickten oder eine Kohlenmonoxidvergiftung führen.
- Der Schalldämpfer wird bei eingeschaltetem Gerät, nach dem Abstellen des Motors und im Leerlauf sehr heiß. Seien Sie in der Nähe von entflammablen Materialien und entzündbaren Dämpfen besonders vorsichtig.
- Berühren Sie nicht den Bereich der Einlassabdeckung. Halten Sie Schmuck und locker herabhängende Kleidungsstücke vom Einlassbereich fern.
- Achten Sie stets auf einen sicheren Stand und benutzen Sie das Gerät nur auf sicheren und ebenen Oberflächen. Rutschige oder instabile Oberflächen wie Leitern können zum Verlust des Gleichgewichts oder der Kontrolle führen.
- Benutzen Sie das Gerät nicht in einem erhöhten Bereich, z. B. auf einem Dach.
- Sichern Sie das Gerät während des Transports.
- Benutzen Sie das Gerät nur zu den empfohlenen Tageszeiten. Beachten Sie die örtlichen Vorschriften. Die üblichen Empfehlungen lauten Montag bis Samstag von 9:00 bis 17:00 Uhr.
- Benutzen Sie das Gerät in der für die zu erledigende Arbeit niedrigsten möglichen Gashebelposition.
- Vermeiden Sie Situationen, in denen Sie fallen könnten, wenn Sie mit dem Gerät arbeiten. Neigen Sie sich nicht bei der Arbeit mit dem Gerät.
- Stellen Sie vor der Inbetriebnahme sicher, dass sich das Gerät in einem guten Zustand befindet. Achten Sie dabei besonders auf den Schalldämpfer sowie den Lufteinlass und den Luftfilter.
- Lösen Sie vor der Inbetriebnahme des Geräts mit einem Rechen oder einem Besen Unrat vom Boden.
- Wenn der Arbeitsbereich verschmutzt ist, bewässern Sie ihn mit einem Schlauch.
- Verwenden Sie das Gerät als Alternative zu einem Wasserschlauch, um Wasser zu sparen.
- Achten Sie beim Blasen von Laub und Schmutz auf Sicherheit. Achten Sie auf Kinder, Tiere, offene Fenster oder Fahrzeuge.
- Richten Sie das Gerät nicht auf Pflanzen, die leicht beschädigt werden können.

- Richten Sie das Gerät nicht auf Objekte wie Wände, große Steine, Fahrzeuge und Zäune.
- Richten Sie das Gerät bei der Arbeit an einer Innenecke von der Ecke aus zur Mitte des Arbeitsbereichs hin. Wenn Sie dies nicht beachten, kann Schmutz in Ihr Gesicht gelangen und Augenverletzungen verursachen.
- Nutzen Sie die volle Länge der Blasdüse, so dass der Luftstrom knapp über dem Boden arbeitet.
- Umstehende Personen müssen unbedingt einen Augenschutz tragen.
- Entsorgen Sie Abfälle nach der Benutzung des Geräts in den entsprechenden Abfallbehältern.

## Sicherheitshinweise für den Betrieb des Laubsaugers

- Vermeiden Sie Schäden am Lüfter. Saugen Sie keine großen, festen Gegenstände wie Holz, Dosen, Gummimilch oder lange Schnüre auf.
- Achten Sie darauf, dass das Saugrohr nicht den Boden berührt.
- Schalten Sie den Motor ab und trennen Sie die Verbindung zur Zündkappe, bevor Sie eine Blockierung oder Verstopfung entfernen.

## Persönliche Schutzausrüstung

- Verwenden Sie immer geeignete persönliche Schutzausrüstung bei der Benutzung des Geräts. Das Tragen persönlicher Schutzausrüstung schließt das Risiko von Verletzungen nicht aus. Das Tragen persönlicher Schutzausrüstung verringert das Ausmaß der Verletzungen bei einem Unfall.
- Tragen Sie immer einen zugelassenen Augenschutz beim Arbeiten mit dem Gerät.
- Arbeiten Sie mit dem Gerät nicht barfuß oder mit offenen Schuhen. Tragen Sie stets robuste und rutschfeste Schuhe.
- Tragen Sie schwere, lange Hosen.
- Tragen Sie bei Bedarf auch zugelassene Schutzhandschuhe.
- Tragen Sie einen Helm, wenn Ihnen Gegenstände auf den Kopf fallen könnten.
- Tragen Sie immer einen zugelassenen Gehörschutz beim Arbeiten mit dem Gerät. Lärmbelastung über einen längeren Zeitraum kann zu lärmbedingten Hörschäden führen.
- Tragen Sie stets eine zugelassene Staubmaske, wenn Sie das Gerät in einer staubigen Umgebung benutzen.
- Vergewissern Sie sich, dass Sie einen Erste-Hilfe-Kasten griffbereit haben.

## Schutzvorrichtungen am Gerät

- Achten Sie darauf, das Gerät regelmäßig zu warten.
  - Dies erhöht die Lebensdauer des Geräts.
  - Die Gefahr von Unfällen sinkt.

Lassen Sie einen Vertragshändler oder ein autorisiertes Service Center das Gerät regelmäßig überprüfen, um Einstellungen oder Reparaturen vorzunehmen.

- Benutzen Sie kein Gerät mit defekten Schutzvorrichtungen. Wenn das Gerät beschädigt ist, wenden Sie sich an ein autorisiertes Service Center.

## Stoppeschalter

Motor starten. Kontrollieren Sie, dass der Motor anhält, wenn Sie den Schalter auf die Stopp-Position stellen. (Abb. 16)

## Schalldämpfer



**WARNUNG:** Den Schalldämpfer nicht berühren, solange er heiß ist. Der Schalldämpfer ist bei laufendem Motor und direkt nach dem Ausschalten sehr heiß. Wenn Sie mit dem Schalldämpfer in Berührung kommen, kann dies zu Verbrennungen führen.

- Verwenden Sie keinen Motor mit defektem Schalldämpfer. Ein beschädigter Schalldämpfer erhöht den Geräuschpegel und die Brandgefahr. Halten Sie stets einen Feuerlöscher griffbereit.
- Überprüfen Sie regelmäßig, ob der Schalldämpfer mit dem Gerät verbunden ist.
- Berühren Sie den Motor oder den Schalldämpfer nicht, solange der Motor eingeschaltet ist. Warten Sie nach dem Abstellen des Motors eine Weile, bevor Sie den Motor oder den Schalldämpfer berühren. Heiße Oberflächen können zu Verletzungen führen.
- Ein heißer Schalldämpfer kann einen Brand verursachen. Seien Sie vorsichtig, wenn Sie das Gerät in der Nähe von entzündlichen Flüssigkeiten oder Gasen verwenden.
- Berühren Sie keine Teile im Schalldämpfer, wenn der Schalldämpfer beschädigt ist. Diese Teile können krebserregende Stoffe enthalten.
- Einige Modelle des Laubblasgeräts verfügen über einen Funkenschutz. Reinigen und ersetzen Sie den Funkenschutz in den entsprechenden Intervallen. (Siehe Abschnitt „Wartung“ (*Wartung auf Seite 66*). (Abb. 17)

## Sicherer Umgang mit Kraftstoff

- Starten Sie das Gerät nicht, wenn sich Kraftstoff oder Öl darauf befindet. Entfernen Sie den unerwünschten Kraftstoff bzw. das Öl, und lassen Sie das Gerät trocknen. Entfernen Sie unerwünschten Kraftstoff aus dem Gerät.
- Wechseln Sie sofort die Kleidung, wenn Sie Kraftstoff darauf verschüttet haben.
- Lassen Sie keinen Kraftstoff auf Ihren Körper gelangen, denn dies kann zu Verletzungen führen.

Wenn Kraftstoff auf Ihre Haut gelangt, waschen Sie diesen mit Wasser und Seife ab.

- Starten Sie den Motor niemals, wenn Sie Öl oder Kraftstoff auf das Gerät oder auf Ihren Körper verschüttet haben.
- Starten Sie das Gerät nicht, wenn der Motor undicht ist. Überprüfen Sie den Motor regelmäßig auf Undichtigkeiten.
- Gehen Sie vorsichtig mit Kraftstoff um. Kraftstoff ist feuergefährlich, und die Dämpfe sind explosiv und können zu Verletzungen oder sogar zum Tod führen.
- Atmen Sie die Kraftstoffdämpfe nicht ein, denn sie sind gesundheitsschädigend. Achten Sie auf ausreichende Belüftung.
- Rauchen Sie nicht in der Nähe des Kraftstoffs oder des Motors.
- Stellen Sie keine heißen Gegenstände in der Nähe des Kraftstoffs oder Motors ab.
- Füllen Sie keinen Kraftstoff nach, während der Motor läuft.
- Vergewissern Sie sich, dass der Motor abgekühlt ist, bevor Sie Kraftstoff nachfüllen.
- Öffnen Sie vor dem Nachfüllen den Tankdeckel langsam, und lassen Sie den Druck vorsichtig entweichen.
- Füllen Sie keinen Kraftstoff in den Motor, wenn Sie sich in einem Innenraum befinden. Eine mangelhafte Luftzirkulation kann zu schweren oder tödlichen Verletzungen durch Ersticken oder eine Kohlenmonoxidvergiftung führen.
- Drehen Sie den Tankdeckel sorgfältig zu, da ansonsten Brandgefahr besteht.
- Stellen Sie das Gerät vor dem Einschalten in einem Abstand von mindestens 3 m von der Stelle auf, wo Sie den Tank befüllt haben.

- Überfüllen Sie den Kraftstofftank nicht.
- Stellen Sie sicher, dass kein Kraftstoff austreten kann, wenn Sie das Gerät oder den Kraftstoffbehälter transportieren.
- Bringen Sie weder das Gerät noch einen Kraftstoffbehälter in Bereiche mit offenem Feuer, Funkenbildung oder Zündflammen. Stellen Sie sicher, dass sich im Lagerbereich keine offene Feuerquelle befindet.
- Verwenden Sie nur zugelassene Behälter, wenn Sie den Kraftstoff transportieren oder einlagern.
- Leeren Sie den Kraftstofftank, bevor Sie das Gerät für längere Zeit einlagern. Entsorgen Sie den Kraftstoff an Orten, die durch die lokalen gesetzlichen Bestimmungen dafür vorgesehen sind.
- Reinigen Sie das Gerät, bevor Sie es für längere Zeit einlagern.
- Ziehen Sie das Zündkerzenkabel ab, bevor Sie das Gerät einlagern, um sicherzustellen, dass der Motor nicht unbeabsichtigt starten kann.

## Sicherheitshinweise für die Wartung



**WARNUNG:** Fehlerhafte Wartung kann zu schwerwiegenden Geräteschäden oder zu ernsthaften Verletzungen führen.

Der Eigentümer ist dafür verantwortlich, dass das Gerät entsprechend den Wartungsanweisungen der Bedienungsanleitungen gewartet wird. Ziehen Sie vor der Wartung die Zündkerze des Antriebsmotors ab. Entfernen Sie die Zündkerze nicht, bevor Sie den Vergaser einstellen.

## Montage



**WARNUNG:** Lesen Sie vor dem Zusammensetzen des Geräts das Kapitel über Sicherheit.

### Montage des Blasrohrs und der Düse am Gerät.

**Hinweis:** Die Schraube muss ausreichend locker montiert sein, um das Blasrohr in den Auslass des Laubblasgeräts drücken zu können. Drehen Sie die Schraube mit einem Schraubenzieher gegen den Uhrzeigersinn, um sie zu lösen.

1. Richten Sie die Rippe auf dem oberen Blasrohr mit der Nut am Auslass des Laubblasgeräts aus. Bringen Sie das Rohr in Position.
2. Drehen Sie die Schraube mit einem Schraubenzieher im Uhrzeigersinn, um das Rohr zu befestigen.

**Hinweis:** Verwenden Sie für die Mutter kein Werkzeug.

3. Richten Sie die Schlitz auf dem unteren Blasrohr mit den Laschen auf dem oberen Blasrohr aus. Schieben Sie das untere Blasrohr auf das obere Blasrohr.
4. Drehen Sie das untere Blasrohr im Uhrzeigersinn, bis Sie ein Klicken hören.

### Anbringen des Fangsacks an verschiedenen Saugrohren



**WARNUNG:** Schalten Sie den Motor ab, bevor Sie das Rohr an dem Gerät anbringen.

### So bauen Sie den Fangsack zusammen

1. Öffnen Sie den Fangsack.

- Schieben Sie das Aufsammlerrohr vom Inneren des Fangsacks in die Einlassöffnung des Sacks.
- Stellen Sie sicher, dass das Gummiband korrekt in der Nut sitzt (A).
- Schließen Sie den Reißverschluss am Fangsack. (Abb. 18)

### So installieren Sie das Fangsackrohr

- Entfernen Sie das Blasrohr, sofern es angebracht ist.
- Richten Sie die Rippe auf dem Fangsackrohr (A) an der Nut im Blausauslass (B) aus.
- Schieben Sie das Fangsackrohr vollständig auf den Blausauslass.
- Setzen Sie die Mutter (C) in die dafür vorgesehene Öffnung ein.
- Setzen Sie die Schraube (D) ein, und ziehen Sie sie mit einem Schraubenzieher an, um das Rohr zu befestigen. (Abb. 19)

### So setzen Sie die Saugrohre zusammen

- Richten Sie die Pfeile auf dem unteren Saugrohr (A) an den Pfeilen auf dem oberen Saugrohr (B) aus.
- Schieben Sie das untere Saugrohr vollständig in das obere Saugrohr.

- Montieren Sie mit einem Schraubenzieher die Schneidschraube (C), die die Rohre zusammenhält. (Abb. 20)

### So installieren Sie die Saugrohre

- Führen Sie die Spitze eines Schraubendrehers in den Bereich der Lasche der Ansaugöffnung ein.
- Drehen Sie den Schraubenzieher, um die Verriegelung zu lösen. (Abb. 21)
- Halten Sie den Deckel der Ansaugöffnung offen, bis das obere Saugrohr richtig sitzt.
- Richten Sie die Rippen auf der Innenseite der Ansaugöffnung an den Schlitz auf dem oberen Saugrohr aus. Stellen Sie sicher, dass das Verriegelungssymbol auf dem Rohr am Entsperrungssymbol auf dem Ansaugöffnung ausgerichtet ist. (Abb. 22)
- Drücken Sie das obere Saugrohr vollständig auf die Ansaugöffnung.
- Drehen Sie das obere Saugrohr im Uhrzeigersinn, bis das Verriegelungssymbol auf dem Rohr mit dem Verriegelungssymbol auf der Ansaugöffnung übereinstimmt. Das Rohr rastet hörbar ein, wenn es richtig befestigt ist. (Abb. 23)

---

## Betrieb

---



**WARNUNG:** Lesen Sie vor der Nutzung des Geräts das Kapitel über Sicherheit, und machen Sie sich damit vertraut.



**ACHTUNG:** Verwenden Sie kein verbleites Benzin. Dadurch kann das Gerät beschädigt werden.

### Kraftstoff

#### So verwenden Sie den Kraftstoff



**ACHTUNG:** Dieses Gerät hat einen Zweitaktmotor. Verwenden Sie eine Mischung aus Benzin und Zweitakt-Motoröl. Stellen Sie sicher, dass Sie die korrekte Menge an Öl für das Gemisch verwenden. Ein falsches Verhältnis von Benzin und Öl kann zu Schäden am Motor führen.

- Verwenden Sie immer frisches bleifreies Benzin mit einer Oktanzahl von mindestens 90 RON (87 AKI) und einer Ethanolkonzentration unter 10 % (E10).
- Verwenden Sie Benzin mit einer höheren Oktanzahl, wenn Sie das Gerät häufig und bei kontinuierlich hoher Motordrehzahl verwenden.
- Verwenden Sie ein bleifreies Benzin/Ölgemisch von guter Qualität.

#### Öl für Zweitaktmotoren

- Verwenden Sie ausschließlich qualitativ hochwertiges Zweitakt-Motoröl. Verwenden Sie nur ein luftgekühltes Motoröl.
- Verwenden Sie keine anderen Arten von Öl.
- Mischungsverhältnis 50:1 (2 %)

### Benzin



**ACHTUNG:** Verwenden Sie kein Benzin mit einer geringeren Oktanzahl als 90 RON (87 AKI). Dadurch kann das Gerät beschädigt werden.



**ACHTUNG:** Verwenden Sie kein Benzin mit einer höheren Ethanolkonzentration als 10 % (E10). Dies kann das Gerät beschädigen.

Benzin	Öl
1 US gal	77 ml
1 UK gal	95 ml
5 l	100 ml



## So stellen Sie das Kraftstoffgemisch her

**Hinweis:** Verwenden Sie zum Mischen der Kraftstoffs immer einen sauberen Kraftstoffbehälter.

**Hinweis:** Bereiten Sie keine größere Menge Gemisch zu, als Sie für 30 Tage benötigen.

1. Fügen Sie die Hälfte des Benzins hinzu.
2. Fügen Sie die gesamte Menge Öl hinzu.
3. Schütteln Sie das Kraftstoffgemisch, um die Anteile zu vermengen.
4. Setzen Sie die restliche Menge Benzin hinzu.
5. Schütteln Sie das Kraftstoffgemisch, um die Anteile zu vermengen.
6. Füllen Sie es in den Kraftstofftank.

## So füllen Sie Kraftstoff nach

- Verwenden Sie immer einen Kraftstoffbehälter mit einem Überfüllungsschutz.
- Wenn sich noch Kraftstoff auf dem Behälter befindet, entfernen Sie diesen und lassen Sie den Behälter trocknen.
- Stellen Sie sicher, dass der Bereich um den Tankverschluss sauber ist.
- Schütteln Sie den Kraftstoffbehälter, bevor Sie das Kraftstoffgemisch in den Kraftstofftank einfüllen.

## Starten und stoppen

### Vor dem Starten des Motors

- Untersuchen Sie das Gerät auf fehlende, beschädigte, lose oder abgenutzte Teile.
- Überprüfen Sie den Fangsack. Stellen Sie sicher, dass der Fangsack nicht beschädigt ist und dass der Reißverschluss geschlossen ist.
- Überprüfen Sie die Muttern, Schrauben und Bolzen.
- Überprüfen Sie den Luftfilter.
- Überprüfen Sie den Gashebel auf korrekte Funktion.
- Überprüfen Sie den Stoppschalter auf korrekte Funktion.
- Untersuchen Sie das Gerät auf austretenden Kraftstoff.

### So starten Sie bei kaltem Motor



**WARNUNG:** Wickeln Sie das Starterseil nicht um Ihren Arm.



**ACHTUNG:** Halten Sie das Gerät nicht mit dem Fuß.



**ACHTUNG:** Ziehen Sie das Startseil nicht bis zum Anschlag heraus. Lassen Sie den Starthandgriff nicht los, wenn das Startseil vollständig ausgezogen ist. Schäden am Produkt könnten die Folge sein.

**Hinweis:** Wenn der Motor stoppt, bewegen Sie den Chokehebel in die geschlossene Stellung und führen Sie die Schritte zum Starten erneut durch.

1. Füllen Sie den Kraftstofftank mit einer sauberen Kraftstoffmischung.
2. Drücken Sie die Kraftstoffeinspritzpumpe 10 Mal. (Abb. 24)
3. Bewegen Sie den Motor-Chokehebel auf die Position FULL CHOKE (Drosselkappe geschlossen). (Abb. 25)
4. Drehen Sie die variable Drehzahlregelung vollständig gegen den Uhrzeigersinn. (Abb. 26)
5. Drücken Sie den Gerätekörper mit der linken Hand gegen den Boden.
6. Ziehen Sie am Startseilgriff, bis der Motor versucht anzuspringen. Ziehen Sie dabei nicht öfter als 3 Mal.
7. Bewegen Sie den Chokehebel in die Position „1/2“ und ziehen Sie am Starthandgriff, bis der Motor anspringt und läuft. (Abb. 27)
8. Lassen Sie den Motor ca. 10 Sekunden lang laufen.
9. Halten Sie den Gashebel bei allen weiteren Schritten vollständig gedrückt.
10. Schieben Sie den Chokehebel auf die Position OFF CHOKE (geöffnet). (Abb. 28)
11. Lassen Sie den Motor 1 Minute lang warmlaufen.

### So starten Sie einen warmen Motor

1. Halten Sie den Gashebel gedrückt.
2. Bewegen Sie den Chokehebel in die Position „1/2“.
3. Ziehen Sie den Starthandgriff schnell bei gleichzeitiger Betätigung des Gashebels, bis der Motor läuft.
4. Schieben Sie den Chokehebel auf die Position OFF CHOKE (geöffnet).

### So schalten Sie den Motor aus

- Drücken Sie den AUS-SCHALTER (STOP) des Motors. Der Schalter kehrt automatisch in die Position ON (Ein) zurück. Warten Sie 7 Sekunden, bevor Sie das Gerät erneut starten, um sicherzustellen, dass der Schalter zurückgesetzt ist.

### Verwendung einer Düse

- Verwenden Sie die Standarddüse für Anwendungen, bei denen Präzision und ein hoher Luftstrom erforderlich sind. (Abb. 29)
- Verwenden Sie bei Anwendungen, für die ein breiterer Luftstrom und eine höhere

Luftgeschwindigkeit erforderlich ist, die Hochgeschwindigkeits-Blasdüse. (Abb. 30)

oder beschädigt ist (außer, wenn das Saugrohr eingesetzt ist).

## Einstellung der Ausblasöffnung

1. Drehen Sie die Düse nach links, um den Bajonetverschluss zu lösen.
2. Bringen Sie die Düse in die entsprechende Position.
3. Drehen Sie die Düse nach rechts, bis ein Klicken zu hören ist.

## Saugen

Legen Sie vor dem Saugen die erforderliche Sicherheitsausrüstung an.



**WARNUNG:** Stellen Sie vor Benutzung des Geräts sicher, dass der Fangsack nicht beschädigt ist und dass der Reißverschluss geschlossen ist. Verwenden Sie keinen Fangsack, der beschädigt ist. Dies verhindert Verletzungen durch umherfliegende Teile. Eine linkshändige Bedienung erhöht das Risiko. Berühren Sie nicht den Auslassbereich des Luftstroms.



**WARNUNG:** Starten Sie das Laubblasgerät nicht, wenn die Einlassabdeckung geöffnet



**WARNUNG:** Überprüfen Sie den Fangsack regelmäßig. Stellen Sie vor Benutzung des Geräts sicher, dass der Fangsack nicht beschädigt ist und dass der Reißverschluss geschlossen ist. Verwenden Sie den Fangsack nicht, wenn er beschädigt ist. Es besteht Verletzungsgefahr durch herausgeschleuderten Abfall. Gehen Sie bei linkshändiger Bedienung vorsichtig vor. Berühren Sie nicht den Auslassbereich des Luftstroms.

1. Halten Sie das Gerät an.
2. Öffnen Sie den Reißverschluss an der Seite.
3. Leeren Sie den Fangsack.
4. Schließen Sie den Reißverschluss.

## Wartung



**WARNUNG:** Lesen Sie vor dem Reinigen, Reparieren oder der Wartung des Geräts das Kapitel über Sicherheit, und machen Sie sich damit vertraut.

## Wartungsplan

Achten Sie darauf, den Wartungsplan einzuhalten. Die Wartungsintervalle werden anhand der täglichen Nutzung des Gerätes berechnet. Wenn Sie nicht jeden Tag mit dem Gerät arbeiten, sind die Intervalle anders. Führen Sie nur diejenigen Wartungsarbeiten aus, die Sie in den Anweisungen in dieser Bedienungsanleitung finden. Wenden Sie sich bezüglich anderer Wartungsarbeiten, die in dieser Betriebsanleitung nicht aufgeführt sind, an ein autorisiertes Service Center.

### Tägliche Wartung

- Reinigen Sie die Außenflächen.
- Überprüfen Sie die Drehzahlregelung und die ordnungsgemäße Funktion des Gashebels. Ersetzen Sie die beschädigten Teile.
- Überprüfen Sie den Stoppschalter. Tauschen Sie diesen ggf. aus.
- Überprüfen Sie die Leerlaufdrehzahl.

- Reinigen Sie den Luftfilter. Tauschen Sie diesen ggf. aus.
- Stellen Sie sicher, dass die Einlassabdeckung in geschlossener Position verriegelt werden kann. Achten Sie darauf, dass das Lüfterrad sauber ist.
- Ziehen Sie alle Muttern und Schrauben an.
- Stellen Sie sicher, dass das Gehäuse keine Risse aufweist.
- Stellen Sie sicher, dass der Fangsack nicht beschädigt ist und dass der Reißverschluss funktioniert. Tauschen Sie den Fangsack ggf. aus.

### Wöchentliche Wartung

- Überprüfen Sie den Zustand der Startvorrichtung, des Startseils und der Spannfeder. Ersetzen Sie beschädigte Teile.
- Überprüfen Sie den Zustand des Luftenlasses an der Startvorrichtung. Entfernen Sie Ablagerungen, wenn der Luftenlass verstopft ist.
- Reinigen Sie die Zündkerze äußerlich. Demontieren Sie die Zündkerze und prüfen Sie den Elektrodenabstand. Stellen Sie den Elektrodenabstand auf 6 mm ein oder tauschen Sie die Zündkerze aus.
- Reinigen Sie die Blätter des Lüfterrads.

- Reinigen Sie den Funkenschutz und ersetzen Sie ihn bei Bedarf (nicht bei Schalldämpfern mit Katalysator).
- Reinigen Sie den Vergaserbereich.
- Reinigen Sie den Luftfilter.

### Monatliche Wartung

- Überprüfen Sie den Starthandgriff und das Startseil.
- Den Kraftstofftank reinigen.
- Reinigen Sie den Vergaser und den Bereich drum herum.
- Reinigen Sie die Blätter des Lüfterrads.
- Prüfen Sie die Kraftstoffleitungen auf Risse oder andere Beschädigungen. Bei Bedarf austauschen
- Tauschen Sie den Kraftstofffilter im Tank aus.
- Kontrollieren Sie alle Kabel und Anschlüsse.
- Die Zündkerze austauschen.
- Wechseln Sie den Luftfilter aus.

### Jährliche Wartung

- Überprüfen Sie die Zündkerze.
- Reinigen Sie die Außenflächen des Vergasers und die angrenzenden Bereiche.
- Reinigen Sie das Kühlsystem.
- Überprüfen Sie den Funkenschutz.
- Überprüfen Sie den Kraftstofffilter.
- Untersuchen Sie den Kraftstoffschlauch auf Beschädigung.
- Kontrollieren Sie alle Kabel und Anschlüsse.

### Wartung alle 50 Stunden

- Wenden Sie sich an ein autorisiertes Service Center für die Instandsetzung oder den Austausch des Schalldämpfers.

## So stellen Sie die Leerlaufdrehzahl ein

- Stellen Sie sicher, dass der Luftfilter sauber ist und der Luftfilterdeckel befestigt wurde, bevor Sie die Leerlaufdrehzahl einstellen.
- Stellen Sie die Leerlaufdrehzahl mit der zugehörigen Einstellschraube T ein, die mit der „T“-Markierung versehen ist.
- Die Leerlaufdrehzahl ist richtig eingestellt, wenn der Motor in allen Stellungen gleichmäßig läuft.

(Abb. 31)

1. Drehen Sie die Einstellschraube im Uhrzeigersinn für höhere Leistung.
2. Drehen Sie die Einstellschraube gegen den Uhrzeigersinn für geringere Leistung.

## So warten Sie den Funkenschutz

Reinigen Sie den Funkenschutz mit einer Drahtbürste.

## So reinigen Sie das Kühlsystem

(Abb. 32)

Reinigen Sie die Teile des Kühlsystems mit einer Bürste.

## So überprüfen Sie die Zündkerze



**ACHTUNG:** Verwenden Sie stets den vom Hersteller empfohlenen Zündkerzentyp! Die Verwendung eines falschen Zündkerzentyps kann zu Schäden am Gerät führen.

- Überprüfen Sie die Zündkerze, wenn der Motor nur schwache Leistung bringt, sich nur schwer starten lässt oder im Leerlauf nicht ordnungsgemäß funktioniert.
- Wenn Sie diese Anweisungen befolgen, verringern Sie die Gefahr von unerwünschtem Material an den Elektroden der Zündkerze:
  - a) Stellen Sie sicher, dass die Leerlaufdrehzahl richtig eingestellt ist.
  - b) Vergewissern Sie sich, dass das Kraftstoffgemisch korrekt ist.
  - c) Vergewissern Sie sich, dass der Luftfilter sauber ist.
- Ist die Zündkerze verschmutzt, so ist sie zu reinigen; gleichzeitig ist zu prüfen, ob der Elektrodenabstand korrekt ist, siehe *Technische Daten auf Seite 68*. (Abb. 33)
- Tauschen Sie die Zündkerze bei Bedarf aus.

## So warten Sie den Luftfilter

### Reinigen des Luftfilters

1. Nehmen Sie Luftfilterdeckel und Luftfilter ab. (Abb. 34)
2. Reinigen Sie den Luftfilter mit warmer Seifenlauge. Achten Sie darauf, dass der Luftfilter trocken ist, bevor Sie ihn wieder einbauen.
3. Tauschen Sie den Luftfilter aus, falls er für eine Reinigung zu stark verschmutzt ist. Tauschen Sie einen beschädigten Luftfilter unbedingt aus.
4. Wenn sich in Ihrem Gerät ein Luftfilter aus Schaumstoff befindet, tragen Sie Luftfilteröl auf. Verwenden Sie Luftfilteröl ausschließlich bei Schaumstofffiltern. Tragen Sie auf keinen Fall Öl auf einen Filzfilter auf.

## Technische Daten

	Einheit	125B (125B28HV)	125BX (125B28HV)	125BVX (125B28HV)
<b>Technische Daten des Motors</b>				
Hubraum	cm <sup>3</sup>	28	28	28
Elektrodenabstand	mm	0,6	0,6	0,6
Kraftstoffankinhalt	cm <sup>3</sup>	500	500	500
Leerlaufdrehzahl	min <sup>-1</sup>	2800–3200	2800–3200	2800–3200
Maximale Motorleistung	min <sup>-1</sup>	8000	8000	8000
Ausgangsleistung	kW	0,8	0,8	0,8
Zündkerze		Champion RCJ-6Y	Champion RCJ-6Y	Champion RCJ-6Y
Maximale Geschwindigkeit im Blasmodus	min <sup>-1</sup>	8600	8600	8600
Maximale Geschwindigkeit im Saugmodus	min <sup>-1</sup>	--	7500	7500
Emissions-Dauerhaltbarkeitsperiode	h	125	125	125
<b>Lärm- und Vibrationsdaten</b>				
Äquivalenter Vibrationspegel an Griffen mit Blasrohren und Düse (Original) – siehe Hinweis 1	m/s <sup>2</sup>	11,03	11,03	11,03
Äquivalenter Vibrationspegel an Griffen mit Saugrohren (Original), links/rechts – siehe Hinweis 1	m/s <sup>2</sup>	--/--	12,16/12,29	12,16/12,29
Äquivalenter Schalldruckpegel am Ohr des Anwenders, gemessen gemäß ISO 22868, ausgestattet mit Blasrohren und Düse (Original) – siehe Hinweis 3	dB(A)	96	96	96
Schalldruck am Ohr einer umstehenden Person, gemessen gemäß ANSI B175.2, ausgestattet mit Blasrohren und Düse (Original)	dB(A)	71	71	71
Schallleistungspegel, gemessen – siehe Hinweis 2	dB(A)	109	109	109
Schallleistungspegel, garantiert (L <sub>WA</sub> ) – siehe Hinweis 2	dB(A)	112	112	112
<b>Produktabmessungen</b>				
Gewicht (ohne Kraftstoff aber mit montiertem Blasrohr und Standarddüse)	kg	4,3	4,4	4,4

**Hinweis 1:** Berichten zufolge liegt der äquivalente Vibrationspegel normalerweise bei einer Ausbreitungsklasse (Standardabweichung) von 1 m/s<sup>2</sup>.

**Hinweis 2:** Umweltbelastende Geräuschemissionen, gemessen als Schalleistung (L<sub>WA</sub>) gemäß EG-Richtlinie 2000/14/EG. Der aufgezeichnete Lautstärkepegel für die Maschine wurde unter Verwendung der originalen Ausrüstung gemessen, die den höchsten Pegel erzeugt. Die Differenz zwischen garantiertem und gemessenem Schalleistungspegel besteht darin, dass beim garantierten Schalleistungspegel auch eine Streuung im Messergebnis und Variationen zwischen verschiedenen Geräten desselben Modells gemäß der Richtlinie 2000/14/EG berücksichtigt werden.

**Hinweis 3:** Berichten zufolge liegt der Schalldruckpegel für dieses Gerät normalerweise bei einer Ausbreitungsklasse (Standardabweichung) von 1 dB(A).

Rotor	Einheit	125B	125BX	125BVX
Typ		Radialgebläse	Radialgebläse	Radialgebläse
Max. Luftgeschwindigkeit, Standard- blasdüse	km/h	217	217	217
Max. Luftgeschwindigkeit, Hoch- geschwindigkeits-Blasdüse*	km/h	273	273	273
Luftvolumen im Blasmodus	cfm	425	425	425
Luftvolumen im Saugmodus	cfm	--	445	445
* optionales Zubehör für einige Modelle				

## Zubehör

125B, 125BX, 125BVX	
<b>Zugelassenes Zubehör</b>	<b>Typ</b>
Dachrinnen-Reinigungsset	952 711 918
125BX, 125BX	
<b>Zugelassenes Zubehör</b>	<b>Typ</b>
Saugset	952 711 913
125B	
<b>Zugelassenes Zubehör</b>	<b>Typ</b>
Hochgeschwindigkeits-Blasdüse	545 119 501

## Inhalt der EG-Konformitätserklärung

Wir, Husqvarna AB, SE 561 82 Huskvarna, SWEDEN  
erklären in alleiniger Verantwortung, dass das Gerät  
Folgendem genügt:

<b>Beschreibung</b>	<b>Gasoline Blower/ Blower-Vacuum</b>
Marke	Husqvarna
Plattform/Typ/Modell	Plattform 125B28HV, Modell 125B, 125BX, 125BVX
Charge	Seriennummer ab 2019

die folgenden EU-Richtlinien und -Vorschriften voll erfüllt:

<b>Richtlinie/Vorschrift</b>	<b>Beschreibung</b>
2006/42/EC	„über Maschinen“
2014/30/EC	„über elektromagnetische Verträglichkeit“
2000/14/EC	„über umweltbelastende Geräuschemissionen“
2011/65/EU	„Beschränkung der Verwendung bestimmter gefährlicher Stoffe“

Harmonisierte Normen und/oder technische Spezifikationen gelten wie folgt: EN ISO 12100, EN ISO 1186-1, CISPR 12, ISO 14982, EN 50581

Die im Abschnitt „Technische Daten“ in dieser Bedienungsanleitung und in der signierten EU-Konformitätserklärung angegebenen Schallwerte entsprechen der Richtlinie 2000/14/EC, Anhang V.

Intertek führte im Auftrag von Husqvarna AB eine freiwillige Typenprüfung durch, und stellte eine Konformitätsbescheinigung nach EG-Richtlinie 2006/42/EC für Maschinen aus.

Das Zertifikat, wie auf der unterzeichneten EU-Konformitätserklärung angegeben, gilt für alle Fertigungsstandorte und Ursprungsländer, wie auf dem Gerät angegeben.

Das gelieferte Gasoline Blower/ Blower-Vacuum entspricht dem Geräteexemplar, das die Prüfung durchlaufen hat.

---

## Περιεχόμενα

---

Εισαγωγή.....	71	Συντήρηση.....	78
Ασφάλεια.....	72	Τεχνικά στοιχεία.....	80
Συναρμολόγηση.....	75	Αξεσουάρ.....	81
Λειτουργία.....	76	Περιεχόμενα της Δήλωσης Συμμόρφωσης ΕΚ.....	82

---

## Εισαγωγή

---

### Εγχειρίδιο χρήσης

Η αρχική γλώσσα του παρόντος εγχειριδίου χρήσης είναι τα Αγγλικά. Τα εγχειρίδια χρήσης σε άλλες γλώσσες είναι μεταφράσεις από τα Αγγλικά.

(Εικ. 1)

1. Ιμάντας ώμου (125BVX)
2. Πλήκτρο γκαζιού
3. Διακόπτης διακοπής λειτουργίας
4. Χειριστήριο ταχύτητας
5. Περιβλήμα φτερωτής
6. Τάπα ντεπόζιτου καυσίμου
7. Φίλτρο αέρα
8. Τσοκ
9. Φούσκα πλήρωσης
10. Κάλυμμα εισαγωγής
11. Λαβή αναρρόφησης (125BX και 125BVX)
12. Κοπτικά εργαλεία (125BX και 125BVX)
13. Φτερωτή
14. Στάνταρ ακροφύσιο
15. Ακροφύσιο υψηλής ταχύτητας (125BX και 125BVX)
16. Σωλήνας του φυσητήρα
17. Βίδα σύσφιξης του σωλήνα
18. Παξιμάδια σύσφιξης σωλήνα
19. Εξάτμιση (σιγαστήρας)
20. Καλώδιο γείωσης
21. Λαβή συστήματος εκκίνησης
22. Συσκευή εκκίνησης
23. Βίδες ρύθμισης καρμπυρατέρ
24. Εγχειρίδιο χρήσης
25. Συσκευή αναρρόφησης με εξαρτήματα συλλογής, η οποία αποτελείται από τα στοιχεία 26-30 παρακάτω
26. Σωλήνας σάκου συλλογής
27. Σάκος συλλογής
28. Σωλήνας αναρρόφησης δύο τμημάτων
29. Βίδα
30. Ιμάντας ώμου

### Σύμβολα στο προϊόν

(Εικ. 2) Προειδοποίηση

(Εικ. 3) Διαβάστε το παρόν εγχειρίδιο

### Επισκόπηση

- (Εικ. 4) Να χρησιμοποιείτε εγκεκριμένα προστατευτικά ακοής
- (Εικ. 4) Να χρησιμοποιείτε εγκεκριμένα μέσα προστασίας των ματιών
- (Εικ. 4) Να χρησιμοποιείτε εγκεκριμένη προστατευτική μάσκα αναπνοής
- (Εικ. 5) Να χρησιμοποιείτε εγκεκριμένα προστατευτικά γάντια
- (Εικ. 6) Το προϊόν μπορεί να προκαλέσει την εκσφενδόνιση αντικειμένων, τα οποία μπορούν να προκαλέσουν βλάβη στα μάτια
- (Εικ. 7) Απόσταση ασφαλείας
- (Εικ. 8) Μην πλησιάζετε στη φτερωτή ενώ περιστρέφεται
- (Εικ. 9) Μην αφήνετε τα παιδιά να πλησιάσουν το προϊόν
- (Εικ. 10) Επίπεδο ισχύος ήχου
- (Εικ. 11) Επίπεδο θορύβου
- (Εικ. 12) Αν έχετε μακριά μαλλιά, φροντίστε να τα έχετε πιασμένα ψηλότερα από τους ώμους σας
- (Εικ. 13) Το προϊόν συμμορφώνεται με τις ισχύουσες οδηγίες ΕΚ
- (Εικ. 14) Το προϊόν συμμορφώνεται με τις ισχύουσες οδηγίες ΕΑC
- (Εικ. 15) Το προϊόν συμμορφώνεται με τις ισχύουσες οδηγίες για την Ουκρανία

---

**Περιεχόμενα** Άλλα σύμβολα/σήματα που υπάρχουν στο προϊόν αναφέρονται σε απαιτήσεις πιστοποίησης για άλλες εμπορικές περιοχές.

---

## Εκπομπές Euro V



**ΠΡΟΕΙΔΟΠΟΙΗΣΗ:** Οποιαδήποτε μη εξουσιοδοτημένη παρέμβαση στον κινητήρα ακυρώνει την έγκριση τύπου ΕΕ αυτού του προϊόντος.

- Το προϊόν έχει επισκευαστεί λανθασμένα.
- Το προϊόν έχει επισκευαστεί με εξαρτήματα που δεν προέρχονται από τον κατασκευαστή ή που δεν έχουν εγκριθεί από τον κατασκευαστή.
- Το προϊόν διαθέτει ένα αξεσουάρ που δεν προέρχεται από τον κατασκευαστή ή που δεν έχει εγκριθεί από τον κατασκευαστή.
- Το προϊόν δεν έχει επισκευαστεί σε εγκεκριμένο κέντρο σέρβις ή από εγκεκριμένη αρχή.

## Ευθύνη προϊόντος

Όπως αναφέρεται στη νομοθεσία περί ευθύνης για τα προϊόντα, δεν φέρουμε καμία ευθύνη για ζημιές που οφείλονται στο προϊόν μας εάν:

## Ασφάλεια

### Ορισμοί για την ασφάλεια

Οι παρακάτω ορισμοί παρέχουν το βαθμό σοβαρότητας για κάθε προειδοποιητική λέξη.



**ΠΡΟΕΙΔΟΠΟΙΗΣΗ:** Τραυματισμός ατόμων.



**ΠΡΟΣΟΧΗ:** Ζημιά του προϊόντος.

**Περιεχόμενα** Αυτές οι πληροφορίες διευκολύνουν τη χρήση του προϊόντος.

### Γενικές οδηγίες ασφαλείας



**ΠΡΟΕΙΔΟΠΟΙΗΣΗ:** Προτού χρησιμοποιήσετε το προϊόν, διαβάστε τις παρακάτω προειδοποιητικές οδηγίες.

- Χρησιμοποιήστε σωστά το προϊόν. Λόγω της εσφαλμένης χρήσης μπορεί να προκληθεί τραυματισμός ή θάνατος. Χρησιμοποιήστε το προϊόν μόνο για τις εργασίες που αναφέρονται στο παρόν εγχειρίδιο. Μην χρησιμοποιείτε το προϊόν για άλλες εργασίες.
- Τηρείτε τις οδηγίες του παρόντος εγχειρίδιου. Τηρείτε τα σύμβολα ασφαλείας και τις οδηγίες ασφαλείας. Εάν ο χειριστής δεν τηρεί τις οδηγίες και τα σύμβολα, μπορεί να προκληθεί τραυματισμός, ζημιά ή θάνατος.
- Μην απορρίψετε αυτό το εγχειρίδιο. Χρησιμοποιήστε τις οδηγίες για τη συναρμολόγηση, τη χρήση και τη διατήρηση του προϊόντος σε καλή κατάσταση. Χρησιμοποιήστε τις οδηγίες για τη σωστή εγκατάσταση των εξαρτημάτων και των παρελκόμενων. Να χρησιμοποιείτε μόνο εγκεκριμένα εξαρτήματα και παρελκόμενα.
- Δεν πρέπει να χρησιμοποιείτε το προϊόν αν έχει υποστεί ζημιά. Να τηρείτε το πρόγραμμα συντήρησης. Να εκτελείτε μόνο τις εργασίες συντήρησης που αναφέρονται σε οδηγίες του παρόντος εγχειρίδιου. Όλες οι υπόλοιπες εργασίες συντήρησης πρέπει να εκτελούνται από ένα εγκεκριμένο κέντρο σέρβις.
- Το παρόν εγχειρίδιο δεν περιλαμβάνει όλες τις καταστάσεις που μπορεί να προκύψουν κατά τη χρήση του προϊόντος. Να είστε προσεκτικοί και να χρησιμοποιείτε την κοινή λογική. Μην χρησιμοποιείτε το προϊόν και μην εκτελείτε συντήρηση σε αυτό, εάν δεν είστε σίγουροι για την κατάσταση. Απευθυνθείτε σε έναν ειδικό για το προϊόν, τον αντιπρόσωπό σας, τον αντιπρόσωπο σέρβις ή ένα εγκεκριμένο κέντρο σέρβις για πληροφορίες.
- Αποσυνδέστε το καλώδιο του μπουζί πριν από τη συναρμολόγηση του προϊόντος, την τοποθέτησή του στην περιοχή αποθήκευσης ή την εκτέλεση εργασιών συντήρησης.
- Μην χρησιμοποιείτε το προϊόν εάν τροποποιηθεί από τις αρχικές του προδιαγραφές. Μην αλλάξετε ένα εξάρτημα του προϊόντος χωρίς έγκριση από τον κατασκευαστή. Πρέπει να χρησιμοποιείτε μόνο εξαρτήματα εγκεκριμένα από τον κατασκευαστή. Σε περίπτωση εσφαλμένης συντήρησης, μπορεί να προκληθεί τραυματισμός ή θάνατος.
- Μην αναπνέετε τα καυσαέρια από τον κινητήρα. Η μακροχρόνια εισπνοή των αναθυμιάσεων της εξάτμισης του κινητήρα είναι επικίνδυνη για την υγεία.
- Μην θέτετε το προϊόν σε λειτουργία σε εσωτερικό χώρο ή κοντά σε εύφλεκτα υλικά. Οι αναθυμιάσεις της εξάτμισης είναι καυτές και μπορεί να περιέχουν σπινθήρες που μπορεί να προκαλέσουν πυρκαγιά. Η ανεπαρκής ροή αέρα μπορεί να προκαλέσει τραυματισμό ή θάνατο λόγω ασφυξίας ή μονοξειδίου του άνθρακα.
- Όταν χρησιμοποιείτε αυτό το προϊόν, ο κινητήρας δημιουργεί ηλεκτρομαγνητικό πεδίο. Το ηλεκτρομαγνητικό πεδίο μπορεί να προκαλέσει ζημιά στα ιατρικά εμφυτεύματα. Προτού χρησιμοποιήσετε το προϊόν, συμβουλευθείτε το γιατρό σας ή τον κατασκευαστή του ιατρικού εμφυτεύματος.
- Μην επιτρέψετε σε παιδιά να χρησιμοποιήσουν το προϊόν. Μην αφήνετε να χρησιμοποιήσουν το προϊόν άτομα που δεν γνωρίζουν τις οδηγίες.



- Φροντίστε να παρακολουθείτε πάντα τα άτομα με μειωμένες σωματικές ή διανοητικές ικανότητες που χρησιμοποιούν το προϊόν. Πρέπει να είναι παρών ένας υπεύθυνος ενήλικας ανά πάσα στιγμή.
- Ασφαλίστε το προϊόν σε σημείο στο οποίο δεν έχουν πρόσβαση παιδιά και μη εγκεκριμένα άτομα.
- Το προϊόν μπορεί να εκτινάξει αντικείμενα και να προκληθούν τραυματισμοί. Τηρείτε τις οδηγίες ασφαλείας για να μειώσετε τον κίνδυνο τραυματισμού ή θανάτου.
- Μην απομακρύνετε από το προϊόν όταν ο κινητήρας είναι σε λειτουργία.
- Ο χειριστής του προϊόντος είναι υπεύθυνος σε περίπτωση ατυχήματος.
- Βεβαιωθείτε ότι τα εξαρτήματα δεν έχουν υποστεί ζημιά πριν χρησιμοποιήσετε το προϊόν.
- Προτού χρησιμοποιήσετε το προϊόν, βεβαιωθείτε ότι βρίσκετε σε απόσταση τουλάχιστον 15 m (50 ft) από άλλα άτομα ή ζώα. Βεβαιωθείτε ότι τα άτομα που βρίσκονται κοντά γνωρίζουν ότι θα χρησιμοποιήσετε το προϊόν.
- Ανατρέξτε στην εθνική ή τοπική νομοθεσία. Μπορεί να εμποδίσει ή να μειώσει τη λειτουργία του προϊόντος σε ορισμένες περιπτώσεις.
- Μην χρησιμοποιείτε το προϊόν αν είστε κουρασμένοι ή υπό την επήρεια αλκοόλ, ναρκωτικών ή φαρμάκων. Μπορεί να επηρεαστεί αρνητικά η όραση, η εγρήγορση, ο συντονισμός ή η κρίση σας.

## Ασφάλεια δονήσεων

Αυτό το προϊόν προορίζεται μόνο για περιστασιακή χρήση. Η συνεχής ή τακτική χρήση του προϊόντος μπορεί να προκαλέσει σύνδρομο "Ρεϊνό" ή αντίστοιχα προβλήματα υγείας λόγω των δονήσεων. Αν χρησιμοποιείτε το προϊόν συνεχώς ή τακτικά, να εξετάζετε συχνά την κατάσταση των χεριών και των δαχτύλων σας. Αν τα χέρια ή τα δάχτυλά σας έχουν αποχρωματιστεί ή αν παρατηρήσετε πόνο, τσιμπήματα ή μούδιασμα, σταματήστε τις εργασίες και απευθυνθείτε αμέσως σε έναν γιατρό.

## Οδηγίες ασφαλείας για τη λειτουργία του φυσητήρα

- Πρέπει να χρησιμοποιείτε το προϊόν μόνο για ώθηση με αέρα ή απομάκρυνση φυλλών και άλλων υπολειμμάτων που υπάρχουν στο έδαφος.
- Μην χρησιμοποιείτε ποτέ το προϊόν αν είστε κουρασμένοι, αδιάθετοι ή υπό την επήρεια αλκοόλ, ναρκωτικών ή φαρμάκων.
- Μην αφήνετε τα παριστάμενα άτομα ή ζώα να πλησιάσουν σε απόσταση μικρότερη από 15 m (50 ft) από τη θέση του χειριστή.
- Το προϊόν μπορεί να εκσφενδονίσει αντικείμενα με μεγάλη ταχύτητα τα οποία μπορεί να εξοστρακιστούν και να χτυπήσουν το χειριστή. Αυτό μπορεί να προκαλέσει βλάβη στα μάτια.
- Μην στρέψετε το ακροφύσιο του φυσητήρα προς την κατεύθυνση ανθρώπων ή ζώων.
- Αν έχετε μακριά μαλλιά, φροντίστε να τα έχετε πιασμένα ψηλότερα από τους ώμους σας.
- Προτού συναρμολογήσετε ή αποσυναρμολογήσετε αξεσουάρ ή άλλα εξαρτήματα, πρέπει να σβήνετε τον κινητήρα.
- Δεν πρέπει να χειρίζεστε το προϊόν χωρίς τον προφυλακτήρα.
- Μην χρησιμοποιείτε το προϊόν εάν υπάρχουν άτομα στο χώρο εργασίας. Σταματήστε τη λειτουργία του προϊόντος εάν ένα άτομο μπει στο χώρο εργασίας.
- Μην χρησιμοποιείτε το προϊόν σε χώρους με μη ικανοποιητικό αερισμό. Αν ο αερισμός δεν είναι επαρκής, μπορεί να προκληθεί τραυματισμός ή θάνατος λόγω ασφυξίας ή μονοξειδίου του άνθρακα.
- Η εξάτμιση (σιγαστήρας) είναι πολύ ζεστή όταν το προϊόν είναι ενεργό, αμέσως μόλις σταματήσει και όταν λειτουργεί στο ρελαντί. Προσέξτε όταν βρίσκεστε κοντά σε εύφλεκτα υλικά και εύφλεκτα αέρια.
- Μην αγγίζετε την περιοχή του καλύμματος της εισαγωγής. Μην πλησιάζετε την περιοχή της εισόδου κοντά σε κοσμήματα ή χαλαρά ρούχα.
- Φροντίστε να πατάτε πάντα σωστά στο έδαφος και να χρησιμοποιείτε το προϊόν μόνο σε ασφαλείς και οριζόντιες επιφάνειες. Οι ολισθηρές ή μη σταθερές επιφάνειες, όπως οι σκάλες, μπορεί να προκαλέσουν απώλεια ισορροπίας ή ελέγχου.
- Μην χρησιμοποιείτε το προϊόν σε περιοχές που βρίσκονται ψηλά, όπως π.χ. στέγες.
- Πρέπει να στερεώνετε καλά το προϊόν κατά τη μεταφορά.
- Πρέπει να χρησιμοποιείτε το προϊόν μόνο τη συνιστώμενη ώρα. Να τηρείτε τους τοπικούς κανονισμούς. Οι ώρες που συνιστώνται συνήθως είναι 9:00 π.μ. έως 5:00 μ.μ., Δευτέρα έως Σάββατο.
- Πρέπει να χρησιμοποιείτε το προϊόν με τη χαμηλότερη δυνατή ρύθμιση του γκαζιού για την εκτέλεση της εργασίας.
- Βεβαιωθείτε ότι δεν μπορείτε να πέσετε όταν χρησιμοποιείτε το προϊόν. Μην γέρνετε όταν χρησιμοποιείτε το προϊόν.
- Πρέπει να βεβαιώνετε ότι το προϊόν είναι σε καλή κατάσταση προτού το θέσετε σε λειτουργία, ειδικά η εξάτμιση (σιγαστήρας), η εισαγωγή αέρα και το φίλτρο αέρα.
- Χρησιμοποιήστε τσουγκράνα ή σκούπα για να σκορπίσετε τα υπολείμματα στο έδαφος προτού χρησιμοποιήσετε το προϊόν.
- Αν η περιοχή εργασίας είναι βρώμικη, πεκάστε τη με λάστιχο ποτίσματος.
- Χρησιμοποιήστε το προϊόν ως εναλλακτική λύση αντί του λάστιχου ποτίσματος, για να εξοικονομήσετε νερό.
- Φροντίστε η απομάκρυνση των υπολειμμάτων με τον αέρα να γίνεται με ασφάλεια. Προσέξτε όταν υπάρχουν παιδιά, ζώα, ανοιχτά παράθυρα ή οχήματα.
- Μην στρέψετε το προϊόν προς ευαίσθητα φυτά.

- Μην κατευθύνετε τον αέρα σε αντικείμενα όπως τοίχους, μεγάλες πέτρες, οχήματα και φράχτες.
- Αν κάνετε εργασίες σε εσωτερικές γωνίες, κατευθύνετε τον αέρα από τη γωνία προς το κέντρο της περιοχής εργασίας. Στη αντίθετη περίπτωση, μπορεί να υπολείμματα να χτυπήσουν στο πρόσωπό σας και να προκαλέσουν τραυματισμό στα μάτια.
- Πρέπει να χρησιμοποιείτε την πλήρη προέκταση του ακροφυσίου, για να διατηρείτε το ρεύμα του αέρα κοντά στο έδαφος.
- Οι παριστάμενοι πρέπει να φορούν εξοπλισμό προστασίας των ματιών.
- Μετά από τη χρήση του προϊόντος, πρέπει να απορρίψετε τα υπολείμματα στα δοχεία απορριμμάτων.

## Οδηγίες ασφαλείας για τη χρήση του αναρροφητήρα

- Φροντίστε να μην προκληθεί ζημιά στη φερωτή. Μην αναρροφάτε μεγάλα, συμπαγή αντικείμενα, όπως ξύλα, κονσέρβες, ελαστικές μάζες σάπιων φύλλων ή μεγάλα κομμάτια σπάνγκου.
- Μην αφήνετε τον σωλήνα αναρρόφησης να χτυπά στο έδαφος.
- Προτού αφαιρέσετε υλικά που έχουν προκαλέσει εμπλοκή ή έμφραξη, πρέπει να σβήνετε τον κινητήρα και να αποσυνδέετε το καπάκι του μπουζι.

## Προσωπικός εξοπλισμός προστασίας

- Χρησιμοποιείτε πάντα σωστό προσωπικό εξοπλισμό προστασίας κατά τη χρήση του προϊόντος. Ο προσωπικός εξοπλισμός προστασίας δεν εξαλείφει τον κίνδυνο τραυματισμού. Ο προσωπικός εξοπλισμός προστασίας μειώνει το βαθμό τραυματισμού σε περίπτωση ατυχήματος.
- Χρησιμοποιήστε πάντα εγκεκριμένη προστασία των ματιών κατά τη χρήση του προϊόντος.
- Μην χρησιμοποιείτε το προϊόν με γυμνά πόδια ή με ανοικτά παπούτσια. Χρησιμοποιήστε πάντοτε αντιολισθητικές μπότες βαρέος τύπου.
- Χρησιμοποιήστε χοντρά, μακριά παντελόνια.
- Εάν είναι απαραίτητο, χρησιμοποιήστε εγκεκριμένα προστατευτικά γάντια.
- Χρησιμοποιήστε κράνος εάν υπάρχει πιθανότητα να πέσουν αντικείμενα στο κεφάλι σας.
- Χρησιμοποιήστε πάντα εγκεκριμένη προστασία αυτιών κατά τη χρήση του προϊόντος. Τυχόν θόρυβος για μεγάλο χρονικό διάστημα μπορεί να προκαλέσει θορυβογενή απώλεια ακοής.
- Όταν χρησιμοποιείτε το προϊόν σε περιβάλλοντα με πολλή σκόνη, πρέπει πάντα να χρησιμοποιείτε εγκεκριμένη προστατευτική μάσκα αναπνοής.
- Βεβαιωθείτε ότι υπάρχει ένα κιτ πρώτων βοηθειών σε μικρή απόσταση.

## Προστατευτικές διατάξεις στο προϊόν

- Βεβαιωθείτε ότι εκτελείτε τακτικά συντήρηση στο προϊόν.

- Αυξάνεται η διάρκεια ζωής του προϊόντος.
- Μειώνεται ο κίνδυνος ατυχημάτων.

Ένας εγκεκριμένος αντιπρόσωπος ή ένα εγκεκριμένο κέντρο σέρβις πρέπει να εξετάζει τακτικά το προϊόν για την εκτέλεση ρυθμίσεων ή επισκευών.

- Μην χρησιμοποιείτε προϊόντα με κατεστραμμένο εξοπλισμό προστασίας. Εάν το προϊόν έχει υποστεί ζημιά, απευθυνθείτε σε ένα εγκεκριμένο κέντρο σέρβις.

## Διακόπτης διακοπής λειτουργίας

Βάλτε μπροστά τον κινητήρα. Βεβαιωθείτε ότι ο κινητήρας σβήνει όταν μετακινείτε το διακόπτη λειτουργίας στη θέση διακοπής λειτουργίας. (Εικ. 16)

## Εξάτμιση (σιγαστήρας)



**ΠΡΟΕΙΔΟΠΟΙΗΣΗ:** Μην αγγίζετε την εξάτμιση (τον σιγαστήρα) αν είναι ζεστή. Η εξάτμιση (σιγαστήρας) καίει πολύ όταν ο κινητήρας λειτουργεί και αφου σβήσει. Αν αγγίξετε την εξάτμιση (τον σιγαστήρα), μπορεί να προκληθούν εγκαύματα.

- Μην χρησιμοποιείτε κινητήρα με κατεστραμμένη εξάτμιση (σιγαστήρας). Η κατεστραμμένη εξάτμιση (σιγαστήρας) αυξάνει το επίπεδο θορύβου και τον κίνδυνο φωτιάς. Πρέπει να υπάρχει σε μικρή απόσταση πυροσβεστήρας.
- Εξετάζετε τακτικά ότι η εξάτμιση (σιγαστήρας) είναι προσαρτημένη στο προϊόν.
- Μην αγγίζετε τον κινητήρα ή την εξάτμιση (σιγαστήρας) όταν ο κινητήρας είναι σε λειτουργία. Μην αγγίζετε τον κινητήρα ή την εξάτμιση (σιγαστήρας) για ένα διάστημα μετά το σβήσιμο του κινητήρα. Οι καυτές επιφάνειες μπορεί να προκαλέσουν τραυματισμούς.
- Η καυτή εξάτμιση (σιγαστήρας) μπορεί να προκαλέσει πυρκαγιά. Να είστε προσεκτικοί εάν χρησιμοποιείτε το προϊόν κοντά σε εύφλεκτα υγρά ή αέρια.
- Μην αγγίζετε τα εξαρτήματα στην εξάτμιση (σιγαστήρας), εάν η εξάτμιση έχει υποστεί ζημιά. Τα εξαρτήματα μπορεί να περιέχουν μερικές καρκινογόνες χημικές ουσίες.
- Ορισμένα μοντέλα φυσητήρα διαθέτουν φλογοπαγίδα. Πρέπει να καθαρίζετε και να αντικαθιστάτε τη φλογοπαγίδα στα καθορισμένα χρονικά διαστήματα. Ανατρέξτε στην ενότητα Συντήρηση (*Συντήρηση στη σελίδα 78*).

(Εικ. 17)

## Ασφάλεια καυσίμου

- Μην θέτετε το προϊόν σε λειτουργία, εάν υπάρχει καύσιμο ή λάδι κινητήρα στο προϊόν. Αφαιρέστε το ανεπιθύμητο καύσιμο/λάδι και αφήστε το προϊόν να στεγνώσει. Αφαιρέστε το ανεπιθύμητο καύσιμο από το προϊόν.

- Εάν χύσετε καύσιμο στα ρούχα σας, αλλάξτε τα αμέσως.
- Μην χύσετε καύσιμο στο σώμα σας, καθώς μπορεί να προκληθεί τραυματισμός. Εάν χύσετε καύσιμο στο σώμα σας, χρησιμοποιήστε σαπουνό νερό για να αφαιρέσετε το καύσιμο.
- Μην βάλτε μπροστά τον κινητήρα εάν χύσετε λάδι ή καύσιμο στο προϊόν ή στο σώμα σας.
- Μην θέσετε το προϊόν σε λειτουργία, εάν ο κινητήρας έχει διαρροή. Εξετάζεται τακτικά τον κινητήρα για διαρροές.
- Να είστε προσεκτικοί με το καύσιμο. Το καύσιμο είναι εύφλεκτο και οι αναθυμιάσεις είναι εκρηκτικές και μπορούν να προκαλέσουν τραυματισμό ή θάνατο.
- Μην εισπνεύσετε τις αναθυμιάσεις καυσίμου, καθώς μπορεί να προκληθεί τραυματισμός. Βεβαιωθείτε ότι υπάρχει επαρκής ροή αέρα.
- Μην καπνίζετε κοντά στο καύσιμο ή τον κινητήρα.
- Μην τοποθετείτε ζεστά αντικείμενα κοντά στο καύσιμο ή τον κινητήρα.
- Μην προσθέτετε καύσιμο όταν λειτουργεί ο κινητήρας.
- Βεβαιωθείτε ότι ο κινητήρας έχει κρυώσει πριν από τον ανεφοδιασμό.
- Πριν από τον ανεφοδιασμό, ανοίξτε αργά την τάπα του νετεπόζιτου καυσίμου και εκτονώστε προσεκτικά την πίεση.
- Μην προσθέτετε καύσιμο στον κινητήρα σε εσωτερικό χώρο. Η ανεπαρκής ροή αέρα μπορεί να προκαλέσει τραυματισμό ή θάνατο λόγω ασφυξίας ή μονοξειδίου του άνθρακα.
- Σφίξτε προσεκτικά την τάπα του νετεπόζιτου καυσίμου, διαφορετικά μπορεί να προκληθεί πυρκαγιά.
- Πριν από την εκκίνηση, μετακινήστε το προϊόν σε απόσταση τουλάχιστον 3 m (10 ft) από το σημείο όπου γεμίσατε το νετεπόζιτο.
- Μην προσθέτετε υπερβολική ποσότητα καυσίμου στο νετεπόζιτο καυσίμου.
- Βεβαιωθείτε ότι δεν μπορεί να προκληθεί διαρροή όταν μετακινείτε το προϊόν ή το δοχείο καυσίμου.
- Μην τοποθετείτε το προϊόν ή ένα δοχείο καυσίμου όπου υπάρχουν ακάλυπτες φλόγες, σπινθήρες ή φλόγιστρα. Βεβαιωθείτε ότι στην περιοχή αποθήκευσης δεν υπάρχουν ακάλυπτες φλόγες.
- Χρησιμοποιείτε μόνο εγκεκριμένα δοχεία όταν μετακινείτε το καύσιμο ή προσθέτετε το καύσιμο στην περιοχή αποθήκευσης.
- Αδειάζετε το νετεπόζιτο καυσίμου πριν από μακροχρόνια αποθήκευση. Τηρείτε την τοπική νομοθεσία σχετικά με την περιοχή απόρριψης καυσίμων.
- Καθαρίζετε το προϊόν πριν από μακροχρόνια αποθήκευση.
- Αφαιρέστε το καλώδιο του μπουζί πριν να τοποθετήσετε το προϊόν στην περιοχή αποθήκευσης, για να βεβαιωθείτε ότι ο κινητήρας δεν θα εκκινήσει ακούσια.

## Οδηγίες ασφαλείας για τη συντήρηση



**ΠΡΟΕΙΔΟΠΟΙΗΣΗ:** Αν η συντήρηση δεν γίνει σωστά, μπορεί να προκληθεί σοβαρή τραυματισμός.

Ο ιδιοκτήτης είναι υπεύθυνος για την εκτέλεση όλων των απαιτούμενων εργασιών συντήρησης, οι οποίες καθορίζονται στο εγχειρίδιο χρήσης. Πριν από τη συντήρηση πρέπει να αποσυνδέετε το μπουζί. Μην αποσυνδέετε το μπουζί προτού κάνετε ρυθμίσεις του καρμπυρατέρ.

## Συναρμολόγηση



**ΠΡΟΕΙΔΟΠΟΙΗΣΗ:** Διαβάστε το κεφάλαιο που αφορά την ασφάλεια πριν από τη συναρμολόγηση του προϊόντος.

### Τοποθέτηση του σωλήνα του φυσητήρα και του ακροφυσίου στο προϊόν

**Περιεχόμενα** Η βίδα πρέπει να είναι επαρκώς χαλαρή για να μπορέσει να τοποθετηθεί ο σωλήνας του φυσητήρα στην έξοδο του φυσητήρα. Γυρίστε τη βίδα προς τα αριστερά με ένα κατσαβίδι, για να τη χαλαρώσετε.

1. Ευθυγραμμίστε τη νεύρωση στον πάνω σωλήνα του φυσητήρα με την εγκοπή στην έξοδο του φυσητήρα. Μετακινήστε το σωλήνα στη θέση του.
2. Γυρίστε τη βίδα προς τα δεξιά με ένα κατσαβίδι, για να στερεώσετε τον σωλήνα.

**Περιεχόμενα** Μην χρησιμοποιήσετε εργαλείο στο παξιμάδι.

3. Ευθυγραμμίστε τις εγκοπές στον κάτω σωλήνα φυσητήρα με τις προεξοχές στον επάνω σωλήνα φυσητήρα. Περάστε τον κάτω σωλήνα του φυσητήρα στον σωλήνα του φυσητήρα.
4. Στρέψτε τον κάτω σωλήνα του φυσητήρα προς τα δεξιά μέχρι να ακουστεί ένα κλικ.

### Τοποθέτηση του σάκου συλλογής με διάφορους σωλήνες αναρρόφησης



**ΠΡΟΕΙΔΟΠΟΙΗΣΗ:** Προτού συνδέσετε τους σωλήνες στο προϊόν, πρέπει να σβήσετε τον κινητήρα.

## Συναρμολόγηση του σάκου συλλογής

1. Ανοίξτε τον σάκο συλλογής.
2. Περάστε το σωλήνα του σάκου συλλογής μέσα από τη σακούλα και τοποθετήστε τον στο άνοιγμα εισαγωγής αναρρόφησης.
3. Βεβαιωθείτε ότι το ελαστικό τμήμα εδράζει στην εγκοπή (Α).
4. Κλείστε το φερμουάρ στο σάκο. (Εικ. 18)

## Εγκατάσταση του σωλήνα του σάκου συλλογής

1. Αφαιρέστε το σωλήνα του φυσητήρα, εάν είναι συνδεδεμένος.
2. Ευθυγραμμίστε τη νεύρωση στο σωλήνα του σάκου συλλογής (Α) με την εγκοπή στην έξοδο του φυσητήρα (Β).
3. Τοποθετήστε τον σωλήνα του σάκου συλλογής στο άνοιγμα εξόδου του φυσητήρα και σπρώξτε τον μέχρι τέρμα.
4. Τοποθετήστε το παξιμάδι (C) στο άνοιγμά του.
5. Τοποθετήστε τη βίδα (D) και σφίξτε την με ένα κατσαβίδι, για να στερεώσετε τον σωλήνα. (Εικ. 19)

## Σύνδεση των σωλήνων αναρρόφησης μεταξύ τους

1. Ευθυγραμμίστε το βέλος στον κάτω σωλήνα αναρρόφησης (Α) με το βέλος στον επάνω σωλήνα αναρρόφησης (Β).

2. Πιέστε τον κάτω σωλήνα αναρρόφησης μέσα τον επάνω σωλήνα αναρρόφησης.
3. Χρησιμοποιήστε ένα κατσαβίδι για να τοποθετήσετε τη λαμαρινόβιδα (C) που συγκρατεί τους σωλήνες μεταξύ τους. (Εικ. 20)

## Τοποθέτηση των σωλήνων αναρρόφησης

1. Τοποθετήστε το άκρο ενός κατσαβιδιού στο σημείο της ασφάλειας της εισαγωγής αναρρόφησης.
2. Γυρίστε το κατσαβίδι για να απελευθερώσετε την ασφάλεια. (Εικ. 21)
3. Κρατήστε ανοιχτό το κάλυμμα εισαγωγής αέρα αναρρόφησης μέχρι να μπει στη θέση του ο πάνω σωλήνας αναρρόφησης.
4. Ευθυγραμμίστε τις νευρώσεις στο εσωτερικό της εισαγωγής αναρρόφησης με τις εγκοπές στον επάνω σωλήνα αναρρόφησης. Βεβαιωθείτε ότι το σύμβολο κλειδώματος στο σωλήνα είναι ευθυγραμμισμένο με το σύμβολο ξεκλειδώματος στην εισαγωγή αναρρόφησης. (Εικ. 22)
5. Σπρώξτε τον επάνω σωλήνα αναρρόφησης τέρμα επάνω στην εισαγωγή αναρρόφησης.
6. Γυρίστε τον επάνω σωλήνα αναρρόφησης δεξιόστροφα μέχρι το σύμβολο κλειδώματος στο σωλήνα να ευθυγραμμιστεί με το σύμβολο κλειδώματος στην εισαγωγή αναρρόφησης. Ο σωλήνας κάνει ένα κλικ όταν συνδεθεί σωστά. (Εικ. 23)

## Λειτουργία



**ΠΡΟΕΙΔΟΠΟΙΗΣΗ:** Προτού χρησιμοποιήσετε το προϊόν, διαβάστε και κατανοήστε το κεφάλαιο για την ασφάλεια.



**ΠΡΟΣΟΧΗ:** Μην χρησιμοποιείτε βενζίνη με συγκέντρωση αιθανόλης πάνω από 10% (E10). Μπορεί να προκληθεί ζημιά στο προϊόν.

## Καύσιμο

### Για να χρησιμοποιήσετε καύσιμο



**ΠΡΟΣΟΧΗ:** Αυτό το προϊόν έχει ένα δίχρονο κινητήρα. Χρησιμοποιήστε ένα μείγμα βενζίνης και λάδι δίχρονου κινητήρα. Βεβαιωθείτε ότι χρησιμοποιείτε τη σωστή ποσότητα λαδιού στο μείγμα. Τυχόν εσφαλμένη αναλογία βενζίνης και λαδιού μπορεί να προκαλέσει ζημιά στον κινητήρα.



**ΠΡΟΣΟΧΗ:** Μην χρησιμοποιείτε βενζίνη με μόλυβδο. Μπορεί να προκληθεί ζημιά στο προϊόν.

## Βενζίνη



**ΠΡΟΣΟΧΗ:** Μην χρησιμοποιείτε βενζίνη με αριθμό οκτανίων κάτω από 90 RON (87 AKI). Μπορεί να προκληθεί ζημιά στο προϊόν.

- Χρησιμοποιήστε πάντα καινούργια αμόλυβδη βενζίνη με ελάχιστο αριθμό οκτανίων 90 RON (87 AKI) και με συγκέντρωση αιθανόλης κάτω από 10% (E10).
- Χρησιμοποιήστε βενζίνη με υψηλότερο αριθμό οκτανίων εάν χρησιμοποιείτε συχνά το προϊόν συνεχώς σε υψηλές στροφές ανά λεπτό (σ.α.λ) του κινητήρα.
- Χρησιμοποιείτε πάντα μείγμα αμόλυβδης βενζίνης/λαδιού καλής ποιότητας.

## Λάδι δίχρονου κινητήρα

- Χρησιμοποιήστε μόνο υψηλής ποιότητας λάδι δίχρονου κινητήρα. Χρησιμοποιήστε μόνο λάδι αερόψυκτου κινητήρα.
- Μην χρησιμοποιείτε άλλους τύπους λαδιού.

- Αναλογία μίγματος 50:1 (2%)

Βενζίνη	Λάδι
1 γαλόνι Η.Π.Α.	77 ml (2,6 oz)
1 γαλόνι Η.Β.	95 ml (3,2 oz)
5 l	100 ml (3,4 oz)

## Για να δημιουργήσετε το μείγμα καυσίμου

**Περιεχόμενα** Χρησιμοποιήστε πάντα ένα καθαρό δοχείο καυσίμου όταν αναμειγνύετε το καύσιμο.

**Περιεχόμενα** Μην δημιουργείτε ποσότητα μείγματος καυσίμου για περισσότερες από 30 ημέρες.

1. Προσθέστε το μισό της ποσότητας βενζίνης.
2. Προσθέστε ολόκληρη την ποσότητα λαδιού.
3. Ανακινήστε το μείγμα καυσίμου για να αναμειχτεί τα περιεχόμενα.
4. Προσθέστε την υπόλοιπη ποσότητα βενζίνης.
5. Ανακινήστε το μείγμα καυσίμου για να αναμειχτεί τα περιεχόμενα.
6. Γεμίστε το ντεπόζιτο καυσίμου.

## Για να προσθέσετε καύσιμο

- Χρησιμοποιήστε πάντοτε δοχείο καυσίμου με βαλβίδα προστασίας από διαρροές.
- Εάν υπάρχει καύσιμο στο δοχείο, αφαιρέστε το ανεπιθύμητο καύσιμο και αφήστε το δοχείο να στεγνώσει.
- Βεβαιωθείτε ότι η περιοχή κοντά στην τάπα του ντεπόζιτου καυσίμου είναι καθαρή.
- Ανακινήστε καλά το δοχείο καυσίμου πριν προσθέσετε το μείγμα καυσίμου στο ντεπόζιτο καυσίμου.

## Για εκκίνηση και σταμάτημα

### Προτού εκκινήσετε τον κινητήρα

- Ελέγξτε το προϊόν για εξαρτήματα που λείπουν, έχουν υποστεί ζημιά, έχουν χαλαρώσει ή φθαρεί.
- Εξετάστε τον σάκο συλλογής. Βεβαιωθείτε ότι ο σάκος συλλογής δεν έχει υποστεί ζημιά και ότι το φερμουάρ είναι κλεισμένο.
- Ελέγξτε τα παξιμάδια, τις βίδες και τα μπουλόνια.
- Ελέγξτε το φίλτρο αέρα.
- Ελέγξτε αν λειτουργεί σωστά η σκανδάλη του γκαζιού.
- Ελέγξτε αν λειτουργεί σωστά ο διακόπτης διακοπής λειτουργίας.
- Ελέγξτε το προϊόν για διαρροές καυσίμου.

## Εκκίνηση με κρύο κινητήρα



**ΠΡΟΕΙΔΟΠΟΙΗΣΗ:** Μην τυλίγετε το κορδόνι του συστήματος εκκίνησης γύρω από το χέρι σας.



**ΠΡΟΣΟΧΗ:** Μην συγκρατείτε το προϊόν με το πόδι σας.



**ΠΡΟΣΟΧΗ:** Μην τραβάτε το κορδόνι του συστήματος εκκίνησης μέχρι τη θέση τερματισμού του. Μην αφήνετε τη λαβή του κορδονιού του συστήματος εκκίνησης όταν το κορδόνι είναι τραβηγμένο. Μπορεί να προκληθεί ζημιά στο προϊόν.

**Περιεχόμενα** Αν ο κινητήρας σβήσει, μετακινήστε το χειριστήριο του τσοκ στην κλειστή θέση και εκτελέστε ξανά τα βήματα εκκίνησης.

1. Γεμίστε το ντεπόζιτο καυσίμου με καθαρό μείγμα καυσίμου.
2. Πιέστε τη φούσκα πλήρωσης 10 φορές. (Εικ. 24)
3. Μετακινήστε το χειριστήριο τσοκ του κινητήρα στη θέση FULL CHOKE (κλειστό). (Εικ. 25)
4. Σπρώξτε το χειριστήριο μεταβλητής ταχύτητας τελείως προς τα αριστερά. (Εικ. 26)
5. Χρησιμοποιήστε το αριστερό σας χέρι για να συγκρατήσετε το σώμα του μηχανήματος πάνω στο έδαφος.
6. Τραβήξτε τη λαβή του κορδονιού του συστήματος εκκίνησης μέχρι ο κινητήρας να προσπαθήσει να λειτουργήσει. Μην τραβάτε περισσότερες από 3 φορές.
7. Μετακινήστε το χειριστήριο του τσοκ στη θέση 1/2 και τραβήξτε τη λαβή του κορδονιού του συστήματος εκκίνησης μέχρι να τεθεί σε λειτουργία ο κινητήρας. (Εικ. 27)
8. Αφήστε τον κινητήρα να λειτουργήσει για περίπου 10 δευτερόλεπτα.
9. Κρατήστε πλήρως πατημένη τη σκανδάλη του γκαζιού σε όλα τα υπόλοιπα βήματα.
10. Μετακινήστε το χειριστήριο του τσοκ στη θέση OFF CHOKE (ανοιχτό). (Εικ. 28)
11. Προθερμάνετε τον κινητήρα για 1 λεπτό.

## Για εκκίνηση με ζεστό κινητήρα

1. Κρατήστε πατημένη τη σκανδάλη του γκαζιού.
2. Μετακινήστε το χειριστήριο του τσοκ στη θέση 1/2.
3. Τραβήξτε απότομα τη λαβή του κορδονιού του συστήματος εκκίνησης γρήγορα έχοντας πατημένη τη λαβή του γκαζιού, μέχρι ο κινητήρας αρχίσει να λειτουργεί.

4. Μετακινήστε το χειριστήριο του τσοκ στη θέση OFF CHOKE (ανοιχτό).

## Σβήσιμο του κινητήρα

- Πιέστε και αφήστε το διακόπτη διακοπής λειτουργίας του κινητήρα. Ο διακόπτης επανέρχεται αυτόματα στη θέση εκκίνησης. Περιμένετε 7 δευτερόλεπτα προτού δοκιμάσετε να επανεκκινήσετε το προϊόν, για να βεβαιωθείτε ότι έχει γίνει επαναφορά του διακόπτη.

## Χρήση ακροφυσίου

- Χρησιμοποιήστε το στάνταρ ακροφύσιο όταν χρειάζεται ακρίβεια και υψηλή συγκέντρωση του ρεύματος αέρα. (Εικ. 29)
- Χρησιμοποιήστε το ακροφύσιο υψηλής ταχύτητας όταν χρειάζεται ρεύμα αέρα μεγαλύτερου εύρους και μεγαλύτερη ταχύτητα αέρα. (Εικ. 30)

## Ρύθμιση του ακροφυσίου του φυσητήρα

1. Περιστρέψτε το ακροφύσιο προς τα αριστερά για να αποσυμπλέξετε τη σύνδεση μπαγιονέτ.
2. Μετακινήστε το ακροφύσιο στην κατάλληλη θέση.
3. Περιστρέψτε το ακροφύσιο προς τα δεξιά, μέχρι να ακούσετε ένα κλικ.

## Αναρρόφηση

Προτού χρησιμοποιήσετε την αναρρόφηση, φορέστε τον απαιτούμενο εξοπλισμό ασφαλείας.



**ΠΡΟΕΙΔΟΠΟΙΗΣΗ:** Προτού χρησιμοποιήσετε τον σάκο συλλογής, βεβαιωθείτε ότι δεν έχει υποστεί ζημιά και ότι το φερμουάρ είναι κλεισμένο. Μην χρησιμοποιείτε σάκους που έχουν υποστεί ζημιά. Με αυτόν τον τρόπο αποτρέπονται

τραυματισμοί από εκτινασόμενα θραύσματα. Η λειτουργία με το αριστερό χέρι αυξάνει τον κίνδυνο. Μην αφήνετε το σώμα σας να έρθει σε επαφή με την περιοχή εξαγωγής της εξάτμισης.



**ΠΡΟΕΙΔΟΠΟΙΗΣΗ:** Μην εκκινείτε τον φυσητήρα αν το κάλυμμα της εισαγωγής είναι ανοιχτό ή έχει υποστεί ζημιά (εκτός αν έχει τοποθετηθεί ο σωλήνας αναρρόφησης).

- Κατά τον χειρισμό του φυσητήρα, ο σάκος συλλογής πρέπει να συγκρατείται από τον ιμάντα ώμου. Ο ιμάντας πρέπει να φοριέται πάνω από τον ώμο.
- Εκκινήστε τον φυσητήρα. Τηρείτε τις οδηγίες που παρέχονται στην ενότητα για την εκκίνηση και διακοπή λειτουργίας *Για εκκίνηση και σταμάτημα στη σελίδα 77. Διαβάστε τις οδηγίες ασφαλείας Ασφάλεια στη σελίδα 72.*

## Άδειαση του σάκου συλλογής



**ΠΡΟΕΙΔΟΠΟΙΗΣΗ:** Πρέπει πάντα να ελέγχετε τον σάκο συλλογής. Προτού του χρησιμοποιήσετε, πρέπει να βεβαιώσετε ότι δεν έχει υποστεί ζημιά και ότι το φερμουάρ είναι κλεισμένο. Μην χρησιμοποιείτε τον σάκο αν έχει υποστεί ζημιά. Υπάρχει κίνδυνος τραυματισμού λόγω εκσφενδόνισης υπολειμμάτων. Προσέχετε αν η χρήση γίνεται με το αριστερό χέρι. Μην αγγίζετε την περιοχή εξαγωγής της εξάτμισης.

1. Σταματήστε το προϊόν.
2. Ανοίξτε το φερμουάρ στο πλάι.
3. Άδειαστε τον σάκο συλλογής.
4. Κλείστε το φερμουάρ.

## Συντήρηση



**ΠΡΟΕΙΔΟΠΟΙΗΣΗ:** Διαβάστε και κατανοήστε το κεφάλαιο για την ασφάλεια προτού εκτελέσετε εργασίες καθαρισμού, επισκευής ή συντήρησης στο προϊόν.

## Πρόγραμμα συντήρησης

Βεβαιωθείτε ότι μπορείτε να τηρείτε το πρόγραμμα συντήρησης. Τα διαστήματα υπολογίζονται με βάση την καθημερινή χρήση του προϊόντος. Τα διαστήματα είναι διαφορετικά εάν δεν χρησιμοποιείτε το προϊόν καθημερινά. Εκτελείτε μόνο τις εργασίες συντήρησης που αναφέρονται στο παρόν εγχειρίδιο. Απευθυνθείτε σε ένα εγκεκριμένο κέντρο σέρβις σχετικά με τις υπόλοιπες εργασίες συντήρησης που δεν αναφέρονται στο παρόν εγχειρίδιο.

### Καθημερινή συντήρηση

- Καθαρίστε τις εξωτερικές επιφάνειες.
- Ελέγξτε τη λειτουργία του χειριστήριου ταχύτητας και της σκανδάλης του γκαζιού. Αντικαταστήστε τα μέρη που έχουν υποστεί βλάβη.
- Ελέγξτε το διακόπτη τερματισμού. Αν χρειάζεται, αντικαταστήστε το εξάρτημα.
- Εξετάστε τις στροφές ανά λεπτό ρελαντί.
- Καθαρίστε το φίλτρο αέρα. Αν χρειάζεται, αντικαταστήστε το εξάρτημα.
- Βεβαιωθείτε ότι το κάλυμμα της εισαγωγής μπορεί να ασφαλίσει στην κλειστή θέση. Βεβαιωθείτε ότι η φτερωτή είναι καθαρή.
- Σφίξτε όλα τα παξιμάδια και τις βίδες.
- Βεβαιωθείτε ότι δεν υπάρχουν ρωγμές στα περιβλήματα.

- Βεβαιωθείτε ότι ο σάκος συλλογής δεν έχει υποστεί ζημιά και ότι το φερμουάρ λειτουργεί. Αν χρειάζεται, αντικαταστήστε τον σάκο.

### Εβδομαδιαία συντήρηση

- Ελέγξτε την κατάσταση της συσκευής εκκίνησης, το κορδόνι του συστήματος εκκίνησης και το ελατήριο τάνσης. Αντικαταστήστε όλα τα εξαρτήματα που έχουν υποστεί ζημιά.
- Ελέγξτε την κατάσταση της εισαγωγής αέρα στη συσκευή εκκίνησης. Αφαιρέστε τα υπολείμματα αν έχει φράξει η εισαγωγή αέρα.
- Καθαρίστε την εξωτερική πλευρά του μπουζί. Βγάλτε το και ελέγξτε το διάκενο του ηλεκτροδίου. Ρυθμίστε το διάκενο στα 6 mm (0,024 in) ή αντικαταστήστε το μπουζί.
- Καθαρίστε τις λεπίδες στη φτερωτή.
- Καθαρίστε τη φλογοπαγίδα και αν χρειάζεται αντικαταστήστε τη [όχι σε εξατμίσεις (σιγαστήρες) με καταλυτικό μετατροπέα].
- Καθαρίστε την περιοχή του καρμπυρατέρ.
- Καθαρίστε το φίλτρο αέρα.

### Μηνιαία συντήρηση

- Εξετάστε τη λαβή του κορδονιού της μίζας και το κορδόνι της μίζας.
- Καθαρίστε το νεπετόζιο καυσίμου.
- Καθαρίστε το καρμπυρατέρ και την περιοχή γύρω από αυτό.
- Καθαρίστε τις λεπίδες στη φτερωτή.
- Ελέγξτε τους σωλήνες καυσίμου για ρωγμές ή άλλες ζημιές. Αντικαταστήστε τα εάν χρειάζεται.
- Καθαρίστε το φίλτρο καυσίμου στο νεπετόζιο καυσίμου.
- Εξετάστε όλα τα καλώδια και τις συνδέσεις.
- Αντικαταστήστε το μπουζί.
- Αντικαταστήστε το φίλτρο αέρα.

### Ετήσια συντήρηση

- Εξετάστε το μπουζί.
- Καθαρίστε την εξωτερική επιφάνεια του καρμπυρατέρ και τις παρακείμενες περιοχές.
- Καθαρίστε το σύστημα ψύξης.
- Εξετάστε το πλέγμα της φλογοπαγίδας.
- Εξετάστε το φίλτρο καυσίμου.
- Εξετάστε το σωλήνα καυσίμου για ζημιές.
- Εξετάστε όλα τα καλώδια και τις συνδέσεις.

### Συντήρηση στις 50 ώρες

- Απευθυνθείτε σε ένα εγκεκριμένο κέντρο σέρβις για την επισκευή ή την αντικατάσταση της εξάτμισης (σιγαστήρας).

## Για να ρυθμίσετε τις στροφές ανά λεπτό ρελαντί

- Βεβαιωθείτε ότι το φίλτρο αέρα είναι καθαρό και ότι το κάλυμμα φίλτρου αέρα είναι προσαρτημένο, πριν από τη ρύθμιση των στροφών ανά λεπτό ρελαντί.
- Ρυθμίστε τις στροφές του ρελαντί με τη βίδα ρύθμισης του ρελαντί T, η οποία αναγνωρίζεται από την ένδειξη "T".
- Οι στροφές ανά λεπτό ρελαντί είναι σωστές όταν ο κινητήρας λειτουργεί ομαλά σε όλες τις θέσεις.

(Εικ. 31)

1. Γυρίστε τη βίδα ρύθμισης του ρελαντί προς τα δεξιά για περισσότερες στροφές.
2. Γυρίστε τη βίδα ρύθμισης του ρελαντί προς τα αριστερά για λιγότερες στροφές.

## Για εκτέλεση εργασιών συντήρησης στο πλέγμα φλογοπαγίδας

Χρησιμοποιήστε συρματόβουρτσα για να καθαρίσετε το πλέγμα της φλογοπαγίδας.

## Για να καθαρίσετε το σύστημα ψύξης

(Εικ. 32)

Καθαρίστε τα εξαρτήματα του συστήματος ψύξης με μια βούρτσα.

## Για να εξετάσετε το μπουζί



**ΠΡΟΣΟΧΗ:** Χρησιμοποιείτε πάντα τον συνιστώμενο τύπο μπουζί. Η χρήση λάθος τύπου μπουζί μπορεί να προκαλέσει ζημιά στο προϊόν.

- Αν ο κινητήρας έχει χαμηλή ισχύ, δεν εκκινείται εύκολα ή δεν λειτουργεί σωστά στο ρελαντί, ελέγξτε το μπουζί.
- Για να μειώσετε τον κίνδυνο συσσώρευσης ανεπιθύμητων υλικών στα ηλεκτρόδια του μπουζί, ακολουθήστε τις παρακάτω οδηγίες:
  - a) Βεβαιωθείτε ότι οι στροφές ανά λεπτό ρελαντί έχουν ρυθμιστεί σωστά.
  - b) Βεβαιωθείτε ότι το μίγμα καυσίμου είναι σωστό.
  - c) Βεβαιωθείτε ότι το φίλτρο αέρα είναι καθαρό.
- Αν το μπουζί είναι βρόμικο, καθαρίστε το και βεβαιωθείτε ότι το διάκενο του ηλεκτροδίου είναι σωστό, ανατρέξτε στην ενότητα *Τεχνικά στοιχεία στη σελίδα 80*. (Εικ. 33)
- Αν χρειάζεται, αντικαταστήστε το μπουζί.

## Για εκτέλεση εργασιών συντήρησης στο φίλτρο αέρα

## Για να καθαρίσετε το φίλτρο αέρα

1. Αφαιρέστε το κάλυμμα του φίλτρου αέρα και το φίλτρο αέρα. (Εικ. 34)
2. Καθαρίστε το φίλτρο αέρα με ζεστό σαπουνόνερο. Βεβαιωθείτε ότι το φίλτρο αέρα είναι στεγνό πριν να το εγκαταστήσετε.
3. Αντικαταστήστε το φίλτρο αέρα εάν είναι πολύ βρώμικο για να καθαριστεί πλήρως. Πρέπει πάντα να αντικαθιστάτε το φίλτρο αέρα, εάν έχει υποστεί ζημιά.
4. Εάν το προϊόν σας διαθέτει αφρώδες φίλτρο αέρα, εφαρμόστε λάδι φίλτρου αέρα. Εφαρμόστε λάδι φίλτρου αέρα μόνο σε αφρώδες φίλτρο. Μην εφαρμόζετε λάδι σε φίλτρο κετσέ.

## Τεχνικά στοιχεία

	μονάδα	125B (125B28HV)	125BX (125B28HV)	125BVX (125B28HV)
<b>Προδιαγραφές κινητήρα</b>				
Κυβισμός κυλίνδρου	cm <sup>3</sup>	28	28	28
Διάκενο ηλεκτροδίου	mm	0,6	0,6	0,6
Όγκος ντεπόζιτου καυσίμου	cm <sup>3</sup>	500	500	500
Στροφές ανά λεπτό ρελαντί	min <sup>-1</sup>	2800 - 3200	2800 - 3200	2800 - 3200
Στροφές, στη μέγιστη ισχύ	min <sup>-1</sup>	8000	8000	8000
Απόδοση ισχύος	kW	0,8	0,8	0,8
Μπουζί		Champion RCJ-6Y	Champion RCJ-6Y	Champion RCJ-6Y
Μέγιστη ταχύτητα σε λειτουργία φυσητήρα	min <sup>-1</sup>	8600	8600	8600
Μέγιστη ταχύτητα σε λειτουργία αναρροφητήρα	min <sup>-1</sup>	--	7500	7500
Περίοδος διατήρησης εκπομπών	h	125	125	125
<b>Δεδομένα θορύβου και κραδασμών</b>				
Ισοδύναμη στάθμη κραδασμών στις λαβές με τους (αρχικούς) σωλήνες φυσητήρα και το (αρχικό) ακροφύσιο - βλ. Σημείωση 1	m/s <sup>2</sup>	11,03	11,03	11,03
Ισοδύναμη στάθμη κραδασμών στις λαβές με τους (αρχικούς) σωλήνες αναρρόφησης, αριστερά/δεξιά - βλ. Σημείωση 1	m/s <sup>2</sup>	--/--	12,16/12,29	12,16/12,29
Ισοδύναμη στάθμη ηχητικής πίεσης στο αυτί του χειριστή, μετρημένη σύμφωνα με το πρότυπο ISO 22868 και με το προϊόν εξοπλισμένο με τους (αρχικούς) σωλήνες φυσητήρα και το (αρχικό) ακροφύσιο - βλ. Σημείωση 3	dB(A)	96	96	96
Ηχητική πίεση στο αυτί του παρευρισκόμενου, μετρημένη σύμφωνα με το πρότυπο ANSI B175.2 και με το προϊόν εξοπλισμένο με (εργοστασιακό) σωλήνες φυσητήρα και (εργοστασιακό) ακροφύσιο	dB(A)	71	71	71
Στάθμη ηχητικής ισχύος, μετρούμενη - βλ. σημείωση 2	dB(A)	109	109	109
Στάθμη ηχητικής ισχύος, εγγυημένη (L <sub>WA</sub> ) - βλ. σημείωση 2	dB(A)	112	112	112



Διαστάσεις προϊόντος				
Βάρος (χωρίς καύσιμο, αλλά με τοποθετημένο τον σωλήνα φυσητήρα και το στάνταρ ακροφύσιο)	kg	4.3	4,4	4,4
<b>Σημείωση 1:</b> Τα καταγεγραμμένα στοιχεία για το αντίστοιχο επίπεδο δονήσεων έχουν μια τυπική στατιστική διασπορά (τυπική απόκλιση) της τάξης του 1 m/s <sup>2</sup> .				
<b>Σημείωση 2:</b> Οι εκπομπές θορύβου στο περιβάλλον, οι οποίες μετρούνται ως ηχητική ισχύς (L <sub>WA</sub> ), σε συμμόρφωση με την Οδηγία 2000/14/EK. Η καταγεγραμμένη στάθμη ηχητικής ισχύος για το μηχάνημα έχει μετρηθεί με το αυθεντικό παρελκόμενο, που δίνει την υψηλότερη στάθμη. Η διαφορά μεταξύ της εγγυημένης και της μετρούμενης ηχητικής ισχύος είναι ότι η εγγυημένη ηχητική ισχύς περιλαμβάνει επίσης τη διασπορά στο αποτέλεσμα της μέτρησης και τις αποκλίσεις μεταξύ των διαφορετικών μηχανημάτων του ίδιου μοντέλου σύμφωνα με την Οδηγία 2000/14/EK.				
<b>Σημείωση 3:</b> Τα καταγεγραμμένα στοιχεία για την αντίστοιχη στάθμη ηχητικής πίεσης για το μηχάνημα έχουν μια τυπική στατιστική διασπορά (τυπική απόκλιση) της τάξης του 1 dB (A).				

Ανεμιστήρας	Μονάδα	125B	125BX	125BVX
Τύπος		Ακτινική φτερωτή	Ακτινική φτερωτή	Ακτινική φτερωτή
Μέγ. ταχύτητα αέρα, στάνταρ ακροφύσιο	km/h	217	217	217
Μέγ. ταχύτητα αέρα, ακροφύσιο υψηλής ταχύτητας*	km/h	273	273	273
Όγκος αέρα, λειτουργία φυσητήρα	cfm	425	425	425
Όγκος αέρα, λειτουργία αναρροφητήρα	cfm	--	445	445
*προαιρετικό αξεσουάρ σε ορισμένα μοντέλα				

## Αξεσουάρ

125B, 125BX, 125BVX	
Εγκεκριμένα αξεσουάρ	Τύπος
Σετ καθαρισμού υδρορροών	952 711 918
125BX, 125BX	
Εγκεκριμένα αξεσουάρ	Τύπος
Σετ αναρρόφησης	952 711 913
125B	
Εγκεκριμένα αξεσουάρ	Τύπος
Ακροφύσιο υψηλής ταχύτητας	545 119 501

## Περιεχόμενα της Δήλωσης Συμμόρφωσης ΕΚ

Εμείς, η Husqvarna AB, SE 561 82 Huskvarna, SWEDEN, δηλώνουμε με αποκλειστική μας ευθύνη ότι το απεικονιζόμενο προϊόν:

<b>Περιγραφή</b>	<b>Gasoline Blower/ Blower-Vacuum</b>
Μάρκα	Husqvarna
Πλατφόρμα / Τύπος / Μοντέλο	Πλατφόρμα125B28HV, που αντιστοιχεί στο μοντέλο 125B, 125BX, 125BVX
Παρτίδα	Αριθμός σειράς με ημερομηνία 2019 και μεταγενέστερη

συμμορφώνεται πλήρως με τις ακόλουθες οδηγίες και τους κανονισμούς της ΕΕ:

<b>Οδηγία/Κανονισμός</b>	<b>Περιγραφή</b>
2006/42/EC	"σχετικά με τα μηχανήματα"
2014/30/EC	"σχετικά με την ηλεκτρομαγνητική συμβατότητα"
2000/14/EC	"σχετικά με το θόρυβο σε εξωτερικούς χώρους"
2011/65/EU	"περιορισμό της χρήσης ορισμένων επικίνδυνων ουσιών"

Τα εναρμονισμένα πρότυπα ή/και οι τεχνικές προδιαγραφές που εφαρμόζονται είναι τα εξής: EN ISO 12100, EN ISO 1186-1, CISPR 12, ISO 14982, EN 50581

Σύμφωνα με την οδηγία 2000/14/EC, Παράρτημα V, οι δηλωθείσες τιμές για τον ήχο αναφέρονται στο κεφάλαιο τεχνικών στοιχείων αυτού του εγχειριδίου και στην υπογεγραμμένη Δήλωση συμμόρφωσης ΕΚ.

Η Intertek εκτέλεσε εθελοντικά έλεγχο για λογαριασμό της Husqvarna AB και εξέδωσε πιστοποιητικό συμμόρφωσης με την Οδηγία του Συμβουλίου 2006/42/EC για τα μηχανήματα.

Το πιστοποιητικό, όπως παρέχεται στην υπογεγραμμένη Δήλωση συμμόρφωσης ΕΚ, ισχύει για όλες τις εγκαταστάσεις παραγωγής και τις χώρες προέλευσης, όπως αναφέρονται στο προϊόν.

Το παρεχόμενο προϊόν (Gasoline Blower/ Blower-Vacuum) είναι σύμφωνο με το δείγμα που υποβλήθηκε σε έλεγχο.

---

# Contenido

---

Introducción.....	83	Mantenimiento.....	90
Seguridad.....	84	Datos técnicos.....	91
Montaje.....	87	Accesorios.....	92
Funcionamiento.....	88	Contenido de la declaración de conformidad CE.....	93

---

## Introducción

---

### Manual de usuario

El idioma original de este manual de instrucciones es el inglés. Los manuales de usuario en otros idiomas son traducciones del inglés.

(Fig. 1)

1. Correa para hombro (125BVX)
2. Acelerador
3. Botón de parada
4. Ajuste del régimen
5. Carcasa de ventilador
6. Tapón del depósito de combustible
7. Filtro de aire
8. Estrangulador
9. Bomba de combustible
10. Cubierta de admisión
11. Mango del aspirador (125BX y 125BVX)
12. Cortadoras (125BX y 125BVX)
13. Propulsor del ventilador
14. Boquilla estándar
15. Boquilla de alta velocidad (125BX y 125BVX)
16. Tubo del soplador
17. Perno de bloqueo del tubo
18. Tuercas de fijación del tubo
19. Silenciador
20. Cable de masa
21. Empuñadura de arranque
22. Dispositivo de arranque
23. Tornillos de ajuste del carburador
24. Manual de usuario
25. Dispositivo de aspiración con componentes de recogida de polvo que consiste de los elementos 26-30 descritos debajo
26. Tubo de bolsa de recogida
27. Bolsa de recogida
28. Tubo de aspirador en dos secciones
29. Tornillo
30. Correa para el hombro

### Símbolos que aparecen en el producto

(Fig. 2) Advertencia

(Fig. 3) Lea este manual

### Revisar

- (Fig. 4) Utilice protección auditiva homologada
- (Fig. 4) Utilice protección ocular homologada
- (Fig. 4) Utilice una máscara de polvo homologada
- (Fig. 5) Utilice guantes protectores homologados
- (Fig. 6) El producto puede causar proyección de objetos, lo que puede provocar daños en los ojos
- (Fig. 7) Distancia de seguridad
- (Fig. 8) No se acerque al propulsor mientras esté girando
- (Fig. 9) No deje el producto al alcance de los niños
- (Fig. 10) Nivel de potencia acústica
- (Fig. 11) Nivel de ruido
- (Fig. 12) Si lleva el pelo largo, asegúrese de sujetárselo por encima de los hombros
- (Fig. 13) El producto cumple con las directivas CE vigentes
- (Fig. 14) El producto cumple con las directivas EAC vigentes
- (Fig. 15) El producto cumple con las directivas ucranianas vigentes

---

**Nota:** Los demás símbolos/etiquetas que aparecen en el producto corresponden a requisitos de homologación específicos en otras zonas comerciales.

---

### Emisiones Euro V



**ADVERTENCIA:** La manipulación del motor anula la homologación de la UE de este producto.

---

## Responsabilidad sobre el producto

Como se estipula en las leyes de responsabilidad del producto, no nos hacemos responsables de los daños y perjuicios causados por nuestro producto si:

- El producto se ha reparado incorrectamente.

- El producto se ha reparado con piezas que no eran del fabricante o no autorizadas por el fabricante.
- El producto tiene un accesorio que no es del fabricante o no está autorizado por este.
- El producto no se ha reparado en un centro de servicio autorizado o por un organismo homologado.

---

## Seguridad

---

### Definiciones de seguridad

Las definiciones siguientes indican el nivel de gravedad para cada palabra de señalización de riesgo.



**ADVERTENCIA:** Lesiones a personas.



**PRECAUCIÓN:** Daños en el producto.

**Nota:** Esta información hace que el producto sea más fácil de usar.

### Instrucciones generales de seguridad



**ADVERTENCIA:** Lea las siguientes instrucciones de advertencia antes de utilizar el producto.

- Use el producto correctamente. Las lesiones o la muerte son un posible resultado de un uso incorrecto. Utilice el producto solo para las tareas indicadas en este manual. No utilice el producto para otras tareas.
  - Respete las instrucciones de este manual. Respete los símbolos de seguridad y las instrucciones de seguridad. Si el operador no respeta las instrucciones y los símbolos, pueden producirse lesiones, daños materiales o la muerte.
  - No se deshaga de este manual. Utilice las instrucciones para montar su producto, utilizarlo y mantenerlo en buen estado. Utilice las instrucciones para la correcta instalación de los complementos y accesorios. Utilice únicamente complementos y accesorios autorizados.
  - No utilice un producto dañado. Respete el programa de mantenimiento. Realice solamente el trabajo de mantenimiento indicado en las instrucciones de este manual. Todos los demás trabajos de mantenimiento debe hacerlos un centro de servicio autorizado.
  - Este manual no puede incluir todas las situaciones que pueden producirse cuando utilice el producto. Proceda con cuidado y utilice el sentido común. No utilice el producto ni realice el mantenimiento del producto si no está seguro de cuál es la situación.
- Hable con un experto en el producto, su distribuidor, un taller de servicio o centro de servicio autorizado para obtener información.
  - Desconecte el cable de la bujía antes de montar el producto, almacenarlo o realizar tareas de mantenimiento.
  - No utilice el producto si se ha modificado respecto de sus especificaciones iniciales. No cambie una parte del producto sin la autorización del fabricante. Utilice únicamente piezas recomendadas por el fabricante. Las lesiones o la muerte son un posible resultado de un mantenimiento incorrecto.
  - No inhale los vapores del motor. La inhalación los gases de escape del motor durante un tiempo prolongado supone un riesgo para la salud.
  - Nunca arranque el producto en interiores ni cerca de material inflamable. Los gases de escape están calientes y pueden contener una chispa que puede iniciar un incendio. Una circulación de aire insuficiente puede causar lesiones o la muerte por asfixia o inhalación de monóxido de carbono.
  - Al utilizar este producto, el motor emite un campo electromagnético. El campo electromagnético puede provocar daños en implantes médicos. Consulte a su médico y al fabricante del implante médico antes de usar el producto.
  - No deje que un niño maneje el producto. No permita que nadie maneje el producto sin conocer las instrucciones.
  - Si una persona con discapacidad física o mental usa el producto, asegúrese de supervisarla en todo momento. Debe haber presente en todo momento una persona mayor de edad responsable.
  - Cierre con llave el producto en un área a la que no puedan acceder las personas no autorizadas ni los niños.
  - El producto puede proyectar objetos con fuerza y causar lesiones. Respete las instrucciones de seguridad para reducir el riesgo de lesiones o muerte.
  - No deje desatendido el producto con el motor encendido.
  - El operador del producto es el responsable si se produce un accidente.
  - Asegúrese de que las piezas no estén dañadas antes de utilizar el producto.
  - Asegúrese de que se encuentra a una distancia mínima de 15 m (50 pies) de otras personas o animales antes de utilizar el producto. Asegúrese de

que las personas que pueda haber en el área circundante sepan que va a usar el producto.

- Consulte las leyes nacionales o locales. Pueden prohibir o limitar el funcionamiento del producto en circunstancias determinadas.
- No utilice el producto si está cansado o se encuentra bajo los efectos de alcohol, drogas o medicamentos. Que pueden tener efectos sobre su visión, capacidad de reacción, coordinación o criterio.

## Seguridad respecto a las vibraciones

Este producto está diseñado para uso ocasional exclusivamente. El uso frecuente o continuo del producto puede provocar casos de enfermedad de Raynaud o problemas médicos similares debido a las vibraciones. Observe el estado de sus manos y dedos si usa el producto de forma frecuente o continua. Si sus manos o dedos presentan decoloración, dolor, hormigueo o entumecimiento, deje de trabajar y acuda a un médico de inmediato.

## Instrucciones de seguridad para el funcionamiento del soplador

- Utilice el producto sólo para soplar o quitar hojas y otros residuos en el suelo.
- Nunca utilice el producto si está cansado, enfermo o si se encuentra bajo los efectos del alcohol, drogas o medicamentos.
- No permita que haya espectadores o animales a menos de 15 m (50 pies) del operador.
- El producto puede expulsar objetos a gran velocidad que pueden rebotar y golpear al operador. Esto puede causar lesiones oculares.
- No oriente la boquilla del soplador hacia personas o animales.
- Si lleva el pelo largo, asegúrese de sujetárselo por encima de los hombros.
- Detenga el motor antes de montar o desmontar los accesorios u otros componentes.
- No utilice el producto sin protección.
- No utilice el producto si hay otra persona en la zona de trabajo. Detenga el producto si alguien entra en la zona de trabajo.
- No utilice el producto en un espacio con un flujo de aire insuficiente. Una circulación de aire insuficiente puede causar lesiones o la muerte por asfixia o inhalación de monóxido de carbono.
- El silenciador se calienta mucho cuando el producto está encendido, después de que pare o cuando funciona a velocidad en ralentí. Tenga cuidado cerca de materiales y gases inflamables.
- No toque la zona de la cubierta de admisión. Mantenga las joyas y las prendas de ropa sueltas lejos de la zona de admisión.
- Mantenga siempre una postura correcta y utilice el producto solamente sobre superficies seguras y regulares. Las superficies resbaladizas o inestables,

tales como las escaleras, pueden causar una pérdida de equilibrio o control.

- No utilice el producto en zonas elevadas, como un techo.
- Asegure el producto durante el transporte.
- Utilice el producto solamente en las horas recomendadas. Cumpla con las normas locales. La recomendación habitual es de 9:00 a.m. a 5:00 p.m., de lunes a sábado.
- Utilice el producto en la menor aceleración posible para realizar el trabajo.
- Asegúrese de que no corre riesgo de caerse mientras utiliza el producto. No se incline mientras utiliza el producto.
- Asegúrese de que el producto está en buenas condiciones antes de su uso, especialmente el silenciador, la entrada de aire y el filtro de aire.
- Utilice un rastrillo o una escoba para aflojar los residuos del suelo antes de utilizar el producto.
- Si la zona de trabajo está muy sucia, rocíela con una manguera.
- Utilice el producto como una alternativa a una manguera para ahorrar agua.
- Sople la suciedad con seguridad. Tenga cuidado con los niños, animales, ventanas abiertas y vehículos.
- No apunte el producto hacia plantas frágiles.
- No sople aire hacia objetos tales como paredes, rocas grandes, vehículos y vallas.
- Si trabaja en esquinas internas, sople desde la esquina y hacia el centro de la zona de trabajo. De no hacerlo, los residuos pueden golpearle en la cara y causar lesiones oculares.
- Utilice la extensión de boquilla completa para mantener la corriente de aire cerca del suelo.
- Es necesario que los espectadores lleven protección ocular.
- Deseche los residuos en los contenedores de residuos después de usar el producto.

## Instrucciones de seguridad para el funcionamiento del aspirador

- Evite daños en el ventilador. No aspire elementos grandes y sólidos, tales como madera, latas, caucho o cuerdas largas.
- No deje que el tubo del aspirador golpee el suelo.
- Detenga el motor y desconecte el tapón de la bujía antes de quitar el material que esté causando bloques u obstrucciones.

## Equipo de protección personal

- Utilice siempre el equipo de protección personal adecuado cuando utilice el producto. El equipo de protección personal no elimina el riesgo de lesiones. El equipo de protección personal reduce la gravedad de las lesiones en caso de accidente.

- Utilice siempre una protección ocular homologada mientras utiliza el producto.
- No utilice el producto con los pies descalzos o con calzado abierto. Utilice siempre botas de trabajo antideslizantes.
- Utilice pantalones largos gruesos.
- Si es necesario, utilice guantes protectores homologados.
- Utilice un casco si existe la posibilidad de caída de objetos sobre la cabeza.
- Utilice siempre protección auditiva homologada mientras utiliza el producto. La exposición al ruido durante un periodo de tiempo prolongado puede causar pérdida de audición.
- Utilice siempre una máscara de polvo homologada mientras utiliza el producto en entornos con mucho polvo.
- Asegúrese de que tiene cerca un botiquín de primeros auxilios.
- Un silenciador caliente puede provocar un incendio. Tenga cuidado si utiliza el producto cerca líquidos o vapores inflamables.
- No toque las piezas del silenciador si este está dañado. Las piezas pueden contener productos químicos cancerígenos.
- Algunos modelos de sopladores disponen de una pantalla apagachispas. Limpie y reemplace la pantalla en intervalos específicos. Consulte la sección de mantenimiento (*Mantenimiento en la página 90*).

(Fig. 17)

## Seguridad en el uso del combustible

- No arranque el producto si está manchado con combustible o aceite del motor. Retire el combustible/aceite no deseado y deje secar el producto. Retire el combustible no deseado del producto.
- Si derrama combustible sobre la ropa, cámbiese inmediatamente.
- Evite el contacto con el combustible; puede provocarle lesiones. Si entra en contacto con el combustible, utilice jabón y agua para eliminar el combustible.
- No arranque el motor si derrama aceite o combustible sobre el producto o sobre su cuerpo.
- No arranque el motor si el producto tiene una fuga. Examine frecuentemente si hay fugas en el motor.
- Tenga cuidado con el combustible. El combustible es inflamable, sus vapores son explosivos y puede provocar lesiones o la muerte.
- No inhale los vapores de combustible, ya que pueden causar lesiones. Asegúrese de que hay ventilación suficiente.
- No fume cerca del combustible o el motor.
- No coloque objetos calientes cerca del combustible o el motor.
- No agregue el combustible con el motor encendido.
- Asegúrese de que el motor esté frío antes repostar.
- Antes de repostar, abra la tapa del depósito de combustible lentamente y deje salir el exceso de presión con cuidado.
- No añada combustible al motor en interiores. Una circulación de aire insuficiente puede causar lesiones o la muerte por asfixia o inhalación de monóxido de carbono.
- Apriete la tapa del depósito de combustible con cuidado o puede producirse un incendio.
- Antes de arrancarlo, lleve el producto a 3 m (10 pies) de distancia como mínimo del punto en el que llenó el depósito.
- No ponga demasiado combustible en el depósito de combustible.
- Asegúrese de que no pueda producirse una fuga al mover el producto o recipiente de combustible.
- No coloque el producto o un recipiente de combustible cerca de una llama descubierta, chispa

## Dispositivos de seguridad en el producto

- Asegúrese de efectuar regularmente el mantenimiento del producto.
    - La vida útil del producto aumenta.
    - El riesgo de accidentes disminuye.
- Deje que un concesionario autorizado o un centro de servicio autorizado examine regularmente el producto para realizar ajustes o reparaciones.
- No utilice un producto con equipo de protección dañado. Si el producto está dañado, hable con un centro de servicio autorizado.

## Botón de parada

Arranque el motor. Asegúrese de que el motor se detiene al poner el botón de parada en la posición de parada.  
(Fig. 16)

## Silenciador



**ADVERTENCIA:** No toque el silenciador si está caliente. El silenciador se calienta mucho mientras funciona el motor y después de pararlo. Tocar el silenciador puede causar quemaduras.

- No utilice un motor con un silenciador defectuoso. Un silenciador defectuoso aumenta el nivel de ruido y el riesgo de incendio. Tenga siempre a mano un extintor de incendios.
- Examine regularmente que el silenciador esté conectado al producto.
- No toque el motor ni el silenciador cuando el motor está encendido. No toque el motor ni el silenciador durante un tiempo después de parar el motor. Las superficies calientes pueden causar lesiones.

o llama piloto. Asegúrese de que la zona de almacenamiento no contiene una llama descubierta.

- Utilice únicamente recipientes homologados para transportar o almacenar el combustible.
- Vacíe el depósito de combustible antes de almacenarlo por un tiempo prolongado. Respete la legislación local sobre lugares aptos para desechar combustible.
- Limpie el producto antes de almacenarlo por un tiempo prolongado.
- Desconecte el cable de la bujía antes de almacenar el producto para asegurarse de que el motor no arranque accidentalmente.

## Instrucciones de seguridad para el mantenimiento



**ADVERTENCIA:** El mantenimiento incorrecto puede provocar daños importantes al motor o lesiones personales graves.

El propietario es responsable de llevar a cabo el mantenimiento que se indica en el manual del operador. Desconecte la bujía antes del mantenimiento. No desconecte la bujía antes de realizar ajustes en el carburador.

## Montaje



**ADVERTENCIA:** Lea el capítulo de seguridad antes de montar el producto.

### Instalación del tubo y la boquilla del soplador en el producto

**Nota:** El perno debe estar lo suficientemente suelto para colocar el tubo del soplador en la salida del soplador. Gire el perno hacia la izquierda con un destornillador para aflojarlo.

1. Alinee el resalte del tubo superior del soplador con la ranura de la salida del soplador. Deslice el tubo a su posición.
2. Gire el perno hacia la derecha con un destornillador para conectar el tubo.

**Nota:** No utilice ninguna otra herramienta en la tuerca.

3. Alinee las ranuras del tubo inferior del soplador con las lengüetas del tubo superior del soplador. Deslice el tubo inferior del soplador dentro del tubo superior del soplador.
4. Gire el tubo inferior del soplador hacia la derecha hasta que oiga un clic.

### Instalación de la bolsa de recogida con distintos tubos de aspiración



**ADVERTENCIA:** Apague el motor antes de conectar los tubos al producto.

### Montaje de la bolsa de recogida

1. Abra la bolsa de recogida.
2. Introduzca el tubo de la bolsa desde el interior de esta y acóplelo en el orificio de la toma de aspiración.

3. Asegúrese de que el elástico encaja en su ranura (A).
4. Cierre la cremallera de la bolsa. (Fig. 18)

### Para instalar el tubo de la bolsa de recogida

1. Retire el tubo del soplador en caso de estar instalado.
2. Alinee la pestaña del tubo de la bolsa de recogida (A) con la ranura de la salida del soplador (B).
3. Empuje el tubo de la bolsa de recogida completamente sobre la salida del soplador.
4. Inserte la tuerca (C) en su abertura.
5. Instale el tornillo (D) y apriételo con un destornillador para fijar el tubo. (Fig. 19)

### Unión de los tubos de aspiración

1. Alinee la flecha del tubo de aspiración inferior (A) con la flecha del tubo de aspiración superior (B).
2. Encaje el tubo de aspiración inferior en el tubo de aspiración superior.
3. Utilice un destornillador para instalar el tornillo autorroscante (C) que sujeta los tubos entre sí. (Fig. 20)

### Instalación de los tubos de aspiración

1. Introduzca la punta de un destornillador en el área del seguro de la toma de aspiración.
2. Gire el destornillador para soltar el seguro. (Fig. 21)
3. Mantenga la cubierta de la toma de aspiración abierta hasta que el tubo superior de aspiración esté colocado.
4. Alinee las pestañas del interior de la toma de aspiración con las ranuras del tubo de aspiración superior. Asegúrese de que el símbolo de bloqueo del tubo esté alineado con el símbolo de desbloqueo de la toma de aspiración. (Fig. 22)
5. Empuje el tubo de aspiración superior a fondo en la toma de aspiración.

6. Gire el tubo de aspiración superior hacia la derecha hasta que el símbolo de bloqueo del tubo quede alineado con el símbolo de bloqueo de la toma de

aspiración. El tubo emite un clic cuando está conectado correctamente. (Fig. 23)

## Funcionamiento



**ADVERTENCIA:** Asegúrese de leer y comprender el capítulo sobre seguridad antes de utilizar el producto.

### Carburante

#### Para usar combustible



**PRECAUCIÓN:** Este producto tiene un motor de dos tiempos. Utilice una mezcla de gasolina y aceite de motor de dos tiempos. Asegúrese de que utiliza la cantidad correcta de aceite en la mezcla. Una mezcla de gasolina y aceite en proporción incorrecta puede causar daños en el motor.

#### Gasolina



**PRECAUCIÓN:** No utilice gasolina con un octanaje inferior a 90 octanos RON (87 AKI). Esto puede provocar daños en el producto.



**PRECAUCIÓN:** No utilice gasolina con una concentración de etanol de más del 10 % (E10). Esto puede provocar daños en el producto.



**PRECAUCIÓN:** No use gasolina con plomo. Esto puede provocar daños en el producto.

- Utilice siempre gasolina sin plomo nueva con un octanaje mínimo de 90 RON (87 AKI) y con una concentración de etanol de menos de 10 % (E10).
- Utilice gasolina con un mayor octanaje si utiliza con frecuencia el producto a un régimen del motor alto de manera continua.
- Utilice siempre una mezcla de aceite y gasolina sin plomo de buena calidad.

#### Aceite de motor de dos tiempos

- Utilice únicamente aceite de motor de dos tiempos de alta calidad. Utilice únicamente aceite de motor refrigerado por aire.
- No utilice otros tipos de aceite.
- Proporción de mezcla 50:1 (2 %)

Gasolina	Aceite
1 galón estadounidense	77 ml (2,6 oz)

Gasolina	Aceite
1 galón británico	95 ml (3,2 oz)
5 l	100 ml (3,4 oz)

#### Para hacer la mezcla de combustible

**Nota:** Utilice siempre un contenedor de combustible limpio cuando mezcle el combustible.

**Nota:** No prepare cantidad de mezcla de combustible para más de 30 días.

1. Añada la mitad de la cantidad de gasolina.
2. Añada la cantidad total de aceite.
3. Agite bien la mezcla de combustible para mezclar el contenido.
4. Agregue la cantidad restante de gasolina.
5. Agite bien la mezcla de combustible para mezclar el contenido.
6. Llene el depósito de combustible.

#### Para añadir combustible

- Utilice un recipiente de combustible con válvula antirrebote.
- Si hay algo de combustible en el recipiente, retire el combustible no deseado y deje secar el recipiente.
- Asegúrese de que la zona cercana a la tapa del depósito de combustible está limpia.
- Sacuda el contenedor de combustible antes de agregar la mezcla de combustible al depósito de combustible.

### Para arrancar y parar

#### Antes de arrancar el motor

- Examine el producto para asegurarse de que no faltan piezas, ni están dañadas, sueltas o desgastadas.
- Examine la bolsa de recogida. Asegúrese de que la bolsa de recogida no está dañada y que la cremallera está cerrada.
- Inspeccione tuercas, tornillos y pernos.
- Examine el filtro de aire.
- Examine que el acelerador funciona correctamente.
- Examine que el interruptor de parada funciona correctamente.
- Examine el producto por si hubiera fugas de combustible.



## Para arrancar el motor en frío



**ADVERTENCIA:** No se enrolle la cuerda de arranque alrededor del brazo.



**PRECAUCIÓN:** No sujete el producto con el pie.



**PRECAUCIÓN:** No tire de la cuerda de arranque hasta la posición final. No suelte la empuñadura de la cuerda de arranque cuando esté extendida. Esto puede ocasionar averías en el producto.

**Nota:** Si el motor se detiene, mueva el mando del estrangulador a la posición cerrada y siga los pasos de arranque de nuevo.

1. Llene el depósito de combustible con una mezcla de combustible limpio.
2. Oprima la perilla de cebado 10 veces. (Fig. 24)
3. Mueva el estrangulador del motor a la posición "FULL CHOKE" (cerrado). (Fig. 25)
4. Presione el control del ajuste del régimen completamente hacia la izquierda. (Fig. 26)
5. Utilice la mano izquierda para sujetar el cuerpo de la máquina en el suelo.
6. Tire de la empuñadura de la cuerda de arranque hasta que el motor intente arrancar. No tire de la cuerda de arranque más de 3 veces.
7. Mueva el mando del estrangulador hasta la posición media y tire de la empuñadura de la cuerda de arranque hasta que el motor arranque y esté en marcha. (Fig. 27)
8. Deje en marcha el motor durante unos 10 segundos.
9. Presione el acelerador completamente y manténgalo así durante los pasos restantes.
10. Ponga el mando del estrangulador en la posición OFF CHOKE (abierto). (Fig. 28)
11. Caliente el motor durante 1 minuto.

## Para arrancar el motor en caliente

1. Apriete el mecanismo de aceleración y manténgalo así.
2. Ponga el mando del estrangulador en la posición media.
3. Tire de la cuerda de arranque rápidamente mientras presiona el acelerador hasta que el motor se ponga en marcha.
4. Ponga el mando del estrangulador en la posición OFF CHOKE (abierto).

## Parada del motor

- Presione y suelte el interruptor STOP del motor. El interruptor volverá automáticamente a la posición ON. Espere 7 segundos antes de intentar arrancar el producto de nuevo para asegurarse de que el interruptor se restablece.

## Uso de boquilla

- Utilice la boquilla estándar cuando necesite precisión y alta concentración de corriente de aire. (Fig. 29)
- Utilice la boquilla de alta velocidad cuando necesite una corriente de aire más ancha y una gran velocidad de aire. (Fig. 30)

## Ajuste de boquilla del soplador

1. Gire la boquilla hacia la izquierda para soltar la conexión en bayoneta.
2. Mueva la boquilla hacia la posición correspondiente.
3. Gire la boquilla hacia la derecha hasta que oiga un clic.

## Aspiración

Antes de empezar a aspirar, colóquese el equipo de protección necesario.



**ADVERTENCIA:** Asegúrese de que la bolsa no esté dañada y que la cremallera esté cerrada antes de su uso. No utilice una bolsa que esté dañada. Esto evita daños causados por los residuos proyectados. El uso con la mano izquierda aumenta el riesgo. No deje que su cuerpo toque la zona de salida del escape.



**ADVERTENCIA:** No arranque el soplador si la cubierta de admisión está abierta o dañada (excepto si se ha añadido el tubo de aspiración).

- Mientras se usa el soplador, la correa para el hombro tiene que sujetar la bolsa de recogida. La correa debe colocarse en la parte superior del hombro.
- Arranque el soplador. Siga las instrucciones en la sección de arranque y parada *Para arrancar y parar en la página 88*. Lea las instrucciones de seguridad *Seguridad en la página 84*.

## Vaciado de la bolsa de recogida



**ADVERTENCIA:** Siempre examine la bolsa de recogida. Asegúrese de que no esté dañada y que la cremallera esté cerrada antes de su uso. No utilice una bolsa dañada. Existe el riesgo de heridas causadas por los residuos proyectados.

Tenga cuidado si utiliza la mano izquierda.  
No toque la zona de salida del escape.

2. Abra la cremallera en el lateral.
3. Vacíe la bolsa de recogida.
4. Cierre la cremallera.

1. Pare el producto.

---

## Mantenimiento

---



**ADVERTENCIA:** Asegúrese de leer y comprender el capítulo sobre seguridad antes de limpiar, reparar o realizar tareas de mantenimiento en el producto.

- Examine la empuñadura de la cuerda de arranque y la cuerda de arranque.
- Limpie el depósito de combustible.
- Limpie el carburador y la zona alrededor del mismo.
- Limpie las aspas del propulsor.
- Examine si existen grietas u otras averías en los conductos de combustible. Sustitúyala si es necesario
- Cambie el filtro de combustible del depósito de combustible.
- Examine todos los cables y conexiones.
- Cambie la bujía.
- Cambie el filtro de aire.

### Programa de mantenimiento

Asegúrese de que se respete el programa de mantenimiento. Los intervalos se calculan a partir de uso diario del producto. Los intervalos son diferentes si no utiliza el producto cada día. Realice solamente el trabajo de mantenimiento indicado en este manual. Hable con un centro de servicio autorizado acerca de otros trabajos de mantenimiento que no aparezcan en este manual.

#### Mantenimiento diario

- Limpie las superficies externas.
- Examine la función del ajuste del régimen y del acelerador. Sustituya las piezas dañadas.
- Examine el botón de parada. Si es necesario, sustitúyalo.
- Examine el régimen de ralentí.
- Limpie el filtro de aire. Si es necesario, sustitúyalo.
- Asegúrese de que la cubierta de admisión se puede bloquear en la posición cerrada. Asegúrese de que el propulsor esté limpio.
- Apriete todas las tuercas y tornillos.
- Asegúrese de que las carcasas no tienen grietas.
- Asegúrese de que la bolsa no está dañada y que el cierre de cremallera funciona. Sustituya la bolsa si es necesario.

#### Mantenimiento semanal

- Examine el estado del dispositivo de arranque, la cuerda de arranque y el muelle de tensión. Sustituya todas las piezas dañadas.
- Examine el estado de la entrada de aire en el dispositivo de arranque. Retire los residuos si la entrada de aire está obstruida.
- Limpie el lado externo de la bujía. Quítela y examine la distancia entre los electrodos. Ajuste la distancia a 6 mm (0,024 pulg.) o cambie la bujía.
- Limpie las aspas del propulsor.
- Limpie la pantalla apagachispas y reemplácela si fuese necesario (no lo haga con silenciadores con un convertidor catalítico).
- Limpie la zona del carburador.
- Limpie el filtro de aire.

#### Mantenimiento mensual

#### Mantenimiento anual

- Examine la bujía.
- Limpie la superficie externa del carburador y las zonas adyacentes.
- Limpie el sistema de refrigeración.
- Examine el apagachispas.
- Examine el filtro de combustible.
- Examine la manguera de combustible en busca de daños.
- Examine todos los cables y conexiones.

#### Mantenimiento cada 50 horas

- Lleve el producto a un centro de servicio autorizado para reparar o sustituir el silenciador.

### Para ajustar el régimen de ralentí

- Asegúrese de que el filtro de aire está limpio y la cubierta del filtro de aire está conectada antes de ajustar el régimen de ralentí.
- Ajuste el régimen de ralentí con el tornillo de ralentí T marcado con una "T".
- El régimen de ralentí es correcto cuando el motor funciona con suavidad en todas las posiciones.

(Fig. 31)

1. Gire el tornillo de ralentí hacia la derecha para aumentar la velocidad.
2. Gire el tornillo de ralentí hacia la izquierda para bajar la velocidad.

### Para realizar el mantenimiento del apagachispas

Utilice un cepillo de alambre para limpiar el apagachispas.

## Para limpiar el sistema de refrigeración

(Fig. 32)

Limpie las piezas del sistema de refrigeración con un cepillo.

## Para examinar la bujía



**PRECAUCIÓN:** Utilice siempre el tipo de bujía recomendado. El uso de un tipo de bujía incorrecto puede causar averías en el producto.

- Examine la bujía si el motor tiene baja potencia, no es fácil de arrancar o no funciona correctamente al régimen de ralentí.
- Para reducir el riesgo de material no deseado en los electrodos de la bujía, siga estas instrucciones:
  - a) Asegúrese de que el régimen de ralentí está bien ajustado.
  - b) Asegúrese de que la mezcla de combustible sea correcta.
  - c) Asegúrese de que el filtro de aire esté limpio.

- Si la bujía está sucia, límpiela y asegúrese de que la distancia entre los electrodos sea la correcta, consulte *Datos técnicos en la página 91*. (Fig. 33)
- Sustituya la bujía si fuese necesario.

## Para realizar el mantenimiento del filtro de aire de aire

### Para limpiar el filtro de aire

1. Saque la cubierta del filtro de aire y extraiga el filtro de aire. (Fig. 34)
2. Limpie el filtro de aire con agua jabonosa tibia. Asegúrese de que el filtro de aire esté seco antes de instalarlo.
3. Sustituya el filtro de aire si está demasiado sucio para poder limpiarlo completamente. Sustituya siempre el filtro de aire si se avería.
4. Si su producto tiene un filtro de aire de espuma, aplique aceite para filtro de aire. Solo aplique aceite para filtro de aire a los filtros de espuma. No aplique aceite a un filtro de fieltro.

## Datos técnicos

	unidad	125B (125B28HV)	125BX (125B28HV)	125BVX (125B28HV)
<b>Especificaciones del motor</b>				
Cilindrada	cm <sup>3</sup>	28	28	28
Distancia entre los electrodos	mm	0,6	0,6	0,6
Volumen del depósito de combustible	cm <sup>3</sup>	500	500	500
Régimen de ralentí	min <sup>-1</sup>	2800 - 3200	2800 - 3200	2800 - 3200
Velocidad de potencia máxima	min <sup>-1</sup>	8000	8000	8000
Potencia de salida	kW	0,8	0,8	0,8
Bujía		Champion RCJ-6Y	Champion RCJ-6Y	Champion RCJ-6Y
Velocidad máxima en modo de soplado	min <sup>-1</sup>	8600	8600	8600
Velocidad máxima en modo de aspiración	min <sup>-1</sup>	--	7500	7500
Período de durabilidad de emisiones	h	125	125	125
<b>Datos de vibración y ruido</b>				
Nivel de vibración equivalente en los mangos con los tubos y boquilla del soplador (original)- consulte la nota 1	m/s <sup>2</sup>	11,03	11,03	11,03
Nivel de vibración equivalente en los mangos con tubos de aspiración (original), izquierda/derecha - consulte la nota 1	m/s <sup>2</sup>	--/--	12,16/12,29	12,16/12,29

Nivel de presión de sonido equivalente en el oído del operador medido según la norma ISO 22868, equipado con los tubos y la boquilla (originales) del soplador - consulte la nota 3	dB(A)	96	96	96
Presión sonora en el oído de los transeúntes medida conforme a la norma ANSI B175.2; soplador equipado con tubos de aspiración y boquilla (originales)	dB(A)	71	71	71
Nivel de potencia acústica medida - ver la nota 2	dB(A)	109	109	109
Nivel de potencia de sonido, garantizado (LWA) - ver la nota 2	dB(A)	112	112	112
<b>Dimensiones del producto</b>				
Peso (sin combustible pero con tubo del soplador y boquilla estándar)	kg	4,3	4,4	4,4
<p><b>Nota 1:</b> Los datos referidos del nivel de vibración poseen una dispersión estadística habitual (desviación típica) de 1 m/s<sup>2</sup>.</p> <p><b>Nota 2:</b> Emisiones sonoras en el entorno medidas como potencia acústica (L<sub>WA</sub>) según la directiva 2000/14/CE. El nivel referido de potencia sonora de la máquina se ha medido con el equipo original que produce el nivel más elevado. La diferencia entre la potencia sonora garantizada y medida es que la potencia sonora garantizada también incluye la dispersión en el resultado de la medición y las variaciones entre diferentes máquinas del mismo modelo, según la directiva 2000/14/CE.</p> <p><b>Nota 3:</b> Los datos referidos del nivel de presión sonora equivalente de la máquina tienen una dispersión estadística típica (desviación típica) de 1 dB(A).</p>				

Ventilador	Unidad	125B	125BX	125BVX
Tipo		Ventilador radial	Ventilador radial	Ventilador radial
Velocidad máxima de aire, boquilla estándar	km/h	217	217	217
Velocidad máxima de aire, boquilla de alta velocidad*	km/h	273	273	273
Volumen de aire en el modo de soplado	cfm	425	425	425
Volumen de aire en el modo de aspiración	cfm	--	445	445
*accesorio opcional para algunos modelos				

## Accesorios

125B, 125BX, 125BVX	
<b>Accesorios homologados</b>	<b>Tipo</b>
Kit de limpieza de canalones	952 711 918
125BX, 125BX	

<b>Accesorios homologados</b>	<b>Tipo</b>
Kit de aspiración	952 711 913
125B	
<b>Accesorios homologados</b>	<b>Tipo</b>
Boquilla de alta velocidad	545 119 501

## Contenido de la declaración de conformidad CE

Husqvarna AB, SE 561 82 Huskvarna, SWEDEN declara bajo su exclusiva responsabilidad que el producto representado:

plantas de fabricación y países de origen, tal y como se indica en el producto.

Los Gasoline Blower/ Blower-Vacuum suministrados concuerdan con el ejemplar que fue sometido a examen.

<b>Descripción</b>	<b>Gasoline Blower/ Blower-Vacuum</b>
Marca	Husqvarna
Plataforma/tipo/modelo	Plataforma 125B28HV, que representa el modelo 125B, 125BX, 125BVX
Lote	Número de serie a partir del 2019 en adelante

Cumple las siguientes directivas y normas de la UE:

<b>Directiva/Norma</b>	<b>Descripción</b>
2006/42/EC	"relativa a las máquinas"
2014/30/EC	"relativa a la compatibilidad electromagnética"
2000/14/EC	"relativa al ruido en exteriores"
2011/65/EU	"restricciones a la utilización de determinadas sustancias peligrosas"

Las normas armonizadas o especificaciones técnicas aplicadas son las siguientes: EN ISO 12100, EN ISO 1186-1, CISPR 12, ISO 14982, EN 50581

De acuerdo con la directiva 2000/14/EC, Anexo V, los valores de sonido declarados se indican en el capítulo Datos técnicos de este manual y en la declaración de conformidad CE firmada.

Intertek ha efectuado un examen voluntario para Husqvarna AB, que proporciona el certificado de conformidad con la directiva del Consejo Europeo 2006/42/EC referente a máquinas.

El certificado, como se indica en la declaración de conformidad CE firmada, es aplicable a todas las

---

## Sisukord

---

Sissejuhatus.....	94	Hooldamine.....	100
Ohutus.....	95	Tehnilised andmed.....	101
Kokkupanek.....	98	Lisatarvikud.....	103
Töö.....	98	EL-i vastavusdeklaratsiooni sisu.....	103

---

## Sissejuhatus

---

### Kasutusjuhend

Selle kasutusjuhendi originaal on koostatud inglise keeles. Teistes keeltes kasutusjuhendid on tõlgitud inglise keelest.

(Joon. 1)

1. Õlarihm (125BVX)
2. Gaasihoovastiku nupp
3. Seiskamislüliti
4. Kiiruse regulaator
5. Tiiviku korpus
6. Kütusepaagi kork
7. Õhufilter
8. Õhuklapp
9. Kütusepump
10. Sissevõtuava kate
11. Vaakumkäepide (125BX ja 125BVX)
12. Lõikurid (125BX ja 125BVX)
13. Ventilatori tiivik
14. Standardne otsik
15. Kõrgsurveotsak (125BX ja 125BVX)
16. Puhuri toru
17. Toru klamber
18. Toruklambri mutrid
19. Summuti
20. Maandusjuhe
21. Käiviti käepide
22. Käivitiseade
23. Karburaatori reguleerimise kruvid
24. Kasutusjuhend
25. Vaakumseade koos kogumiskomponentidega, mis koosneb allpool asuvatest elementidest 26–30.
26. Kogumiskoti toru
27. Kogumiskott
28. Kaheosaline vaakumtoru
29. Kruvi
30. Õlarihm

### Sümbolid tootel

(Joon. 2) Hoiatus

(Joon. 3) Lugege läbi käesolev kasutusjuhend

### Ülevaade

(Joon. 4) Kandke heakskiidetud kõrvaklappe

(Joon. 4) Kandke heakskiidetud kaitseprille

(Joon. 4) Kandke heakskiidetud tolmutmaski

(Joon. 5) Kandke heakskiidetud kaitsekindaid

(Joon. 6) Toode võib esemeid õhku paisata ja see võib kahjustada silmi

(Joon. 7) Ohutsoon

(Joon. 8) Ärge minge pöörleva tiiviku lähedusse

(Joon. 9) Ärge lubage lapsi toote lähedusse

(Joon. 10) Helitugevuse tase

(Joon. 11) Müratase

(Joon. 12) Jälgige, et pikad juuksed ei ulatuks õlgadest allapoole

(Joon. 13) See seade vastab kehtivatele EÜ direktiividele

(Joon. 14) See seade vastab kehtivatele EAC direktiividele

(Joon. 15) See seade vastab kehtivatele Ukraina direktiividele

---

**Märkus:** Seadmel toodud ülejäänud sümbolid/tähised vastavad muude kommertsvaldkondade sertifitseerimisnõuetele.

---

### Euro V heitmed

---



**HOIATUS:** Mootori igasugune modifitseerimine, muutmine või rikkumine tühistab toote EL-i tüübikinnituse.

---

### Tootevastutus

Tootevastutusseaduste alusel ei vastuta me tootest tingitud kahjustuste eest, kui:

- toodet on valesti parandatud;
- toote parandamisel on kasutatud osi, mis ei ole tootja poolt valmistatud või heaks kiidetud;
- tootel on kasutatud tarvikut, mis ei ole tootja poolt valmistatud või heaks kiidetud;

- toodet ei ole parandatud volitatud hoolduskeskuses või volitatud isiku poolt.

## Ohutus

### Ohutuse määratlused

Järgnevad määratlused näitavad märgusõnade raskusastet.



**HOIATUS:** Kehavigastused.



**ETTEVAATUST:** Toote kahjustus.

**Märkus:** See teave hõlustab toote kasutamist.

### Üldised ohutuseeskirjad



**HOIATUS:** Enne seadme kasutamist lugege läbi järgnevad hoiatused.

- Kasutage toodet õigesti. Valesti kasutamise tagajärjeks võib olla kehavigastus või surm.
- Kasutage toodet ainult käesolevas kasutusjuhendis kirjeldatud tööde tegemiseks. Ärge kasutage toodet muude tööde tegemiseks.
- Järgige käesolevas kasutusjuhendis toodud juhiseid. Järgige hoiatussümboleid ja ohutuseeskirju. Kui operaator ei järgi juhiseid, eeskirju ja sümboleid, võib selle tagajärjeks olla kahjustus, kehavigastus või surm.
- Hoidke see kasutusjuhend alles. Tarvitage kasutusjuhendit toote kokkupanemisel, kasutamisel ja heas töökorras hoidmisel. Tarvitage kasutusjuhendit tarvikute ja lisavarustuse õigeks paigaldamiseks. Kasutage ainult heakskiidetud tarvikuid ja lisavarustust.
- Ärge kasutage kahjustatud toodet. Järgige hooldusskeemi. Tehke ainult neid hooldustöid, mille juhised on toodud selles kasutusjuhendis. Kõik ülejäänud hooldustööd peab tegema volitatud hoolduskeskus.
- Selles kasutusjuhendis ei saa kirjeldada kõiki olukordi, mis võivad toote kasutamise käigus ette tulla. Olge ettevaatlik ja kasutage tervet mõistust. Ärge kasutage toodet ega tehke hooldustöid, kui te pole antud olukorras kindel. Vestelge lisateabe saamiseks toote asjatundja, edasimüüja, hooldustöökoja või volitatud hoolduskeskuse esindajaga.
- Enne toote kokkupanemist, hoivale asetamist või hooldustööde tegemist lahutage süüteküünla juhe.
- Ärge kasutage toodet, kui selle algseid tehnilisi näitajaid on muudetud. Ärge muutke toote ühtegi osa ilma tootja heakskiiduta. Kasutage ainult tootja heakskiidetud osi. Vale hooldamise tagajärjeks võib olla kehavigastus või surm.
- Ärge hingake sisse mootori heitgaase. Mootori heitgaaside pikaajaline sissehingamine on tervisele ohtlik.
- Ärge käivitage toodet siseruumis ega tuleohtlike materjalide ligidal. Heitgaasid on tulised ja võivad sisaldada sädemeid, mis võivad põhjustada tulekahju. Ebapiisav õhuvahetus võib põhjustada lämbumisest või vingugaasimürgistusest tingitud kehavigastuse või surma.
- Toote mootor tekitab kasutamise ajal elektromagnetvälja. Elektromagnetväli võib kahjustada meditsiinilisi implantaate. Enne toote kasutamist pidage nõu oma arsti ja implantaadi valmistajaga.
- Ärge lubage lastel toodet käsitseda. Ärge lubage kasutusjuhistega mitte tutvunud isikul toodet käsitseda.
- Kui toodet kasutab piiratud füüsiliste või vaimsete võimetega isik, peab ta olema kogu aeg järelevalve all. Vastutusvõimeline täiskasvanu peab kogu aeg kasutama juures viibima.
- Kasutusel mitte olev toode lukustage kohta, kus lapsed ja volitamata isikud selle juurde ei pääse.
- Toodet võib esemeid õhku paisata ja põhjustada kehavigastusi. Vigastus- ja surmaohu vähendamiseks järgige ohutuseeskirju.
- Ärge lahkuge töötava mootoriga toote juurest.
- Õnnetusjuhtumite eest toote kasutamisel vastutab toote operaator.
- Enne toote kasutamist veenduge, et kõik osad oleksid terved.
- Enne toote kasutamise alustamist veenduge, et teised inimesed ja loomad asuksid teist vähemalt 15 m (50 jala) kaugusel. Veenduge, et läheduses viibivad inimesed oleksid toote kasutamisest teadlikud.
- Tutvuge riiklike või kohalike eeskirjadega. Need võivad toote kasutamist teatud asjaoludel piirata või selle keelata.
- Ärge kasutage seadet, kui olete väsinud või tarvitanud alkoholi, narkootikume või ravimeid. See võib mõjutada teie nägemist, tähelepanelikkust, koordinatsiooni või hinnangut.

## Vibratsiooniohutus

See toode on ette nähtud üksnes aeg-ajalt kasutamiseks. Toote pidev või regulaarne kasutamine võib põhjustada nn valgete sõrmede sündroomi või muid sarnaseid vibratsioonist tingitud meditsiinilisi probleeme. Kui kasutate toodet pidevalt või regulaarselt, kontrollige aeg-ajalt oma käte ja sõrmede seisundit. Kui teie kätel või sõrmedel muutub värv, tunnete valu või surinat või käed või sõrmed muutuvad tuimaks, lõpetage töötamine ja pöörduge kohe arsti poole.

## Puhurseadme kasutamise ohutuseeskirjad

- Kasutage seadet üksnes lehtede ja muu prahi maapinnalt eemale puhumiseks või eemaldamiseks.
- Ärge kasutage seadet, kui olete väsinud või haige või tarvanud alkoholi, uimastavaid aineid või ravimeid.
- Kõrvalseisjad ja loomad peavad asuma seadme operaatorist vähemalt 15 m kaugusel.
- Seade võib suurel kiirusel õhku paisata esemeid, mis võivad rikošetist operaatorit tabada. See võib põhjustada silmakahjustusi.
- Ärge suunake puhurseadme otsakut inimeste või loomade suunas.
- Jälgige, et pikad juuksed ei ulatuks õlgadest allapoole.
- Enne tarvikute ja muude komponentide paigaldamist või eemaldamist seisake alati mootor.
- Ärge kasutage toodet ilma kaitsepiirdeta.
- Ärge kasutage toodet, kui tööpiirkonnas on inimesi. Peatage toode, kui tööpiirkonda siseneb inimene.
- Ärge kasutage toodet ruumis, kus puudub piisav õhuvahetus. Ebapiisav õhuvahetus võib põhjustada lämbumist või vingugaasimürgitusest tingitud kehavigastuse või surma.
- Toote töötamise ja tühikäigul käitamise ajal ning pärast toote seiskamist on summuti väga tuline. Tuleohtlike materjalide ja aurude läheduses olge väga ettevaatlik.
- Ärge puudutage sissetõmbeava katte piirkonda. Hoidke ehted ja lahtised rõivad sissetõmbeava piirkonnast eemal.
- Veenduge alati, et teil oleks kindel jalgealune, ning kasutage toodet ainult turvalisel ja tasasel pinnal. Libedad ja ebastabiilsed pinnad (nt redelid) võivad põhjustada tasakaalu või seadme üle kontrolli kaotamise.
- Ärge kasutage toodet suurtel kõrgustel, näiteks katusel.
- Kinnitage seade transportimise ajaks.
- Kasutage toodet ainult soovitatud kellaegadel. Järgige kohalikke kehtivaid eeskirju. Tavapärase soovitatav ajavahemik on 09.00 kuni 17.00 esmaspäevast laupäevani.
- Kasutage toodet antud tööülesande tegemiseks kõige madalama vajaliku gaasitasemega.

- Kindlustage, et te ei saaks toote kasutamise ajal kukkuda. Ärge kallutage toote kasutamise ajal.
- Enne kaasutamist veenduge, et toode (eriti summuti, õhuvõtuava ja õhufilter) oleks heas seisukorras.
- Enne toote kasutamist kobestage reha või luuaga maapinnal olev praht lahti.
- Kui tööpiirkond on määrdunud, kastke see voolikuga üle.
- Vee säästmiseks võite kasutada toodet vooliku asemel.
- Puhuge prahti ohutult. Jälgige läheduses asuvaid lapsi, loomi, avatud aknaid ja sõidukeid.
- Ärge suunake toodet õrnade taimede poole.
- Ärge puhuge õhku objektide (seinad, suured kivid, sõidukid, aiad) suunas.
- Kui töötate sisenurgas, suunake õhuvool nurgast tööala keskosa poole. Vastasel juhul võib praht teile näkku paiskuda ja põhjustada silmavigastusi.
- Õhujoo maapinna lähedal hoidmiseks kasutage otsaku pikendust.
- Kõrvalseisjad peavad tingimata kandma silmade kaitset.
- Pärast toote kasutamist toimetage praht jäätmekäitluspunkti.

## Vaakumseadme kasutamise ohutuseeskirjad

- Vältige ventilaatori kahjustamist. Ärge kasutage vaakumseadet suurte tahkete esemete (puit, purgid, kummipuru või pikad nõõrijuhid) imamiseks.
- Ärge laske vaakumtorul puutuda vastu maad.
- Enne ummistuse eemaldamist seisake mootor ja lahutage süüteküünlä kate.

## Isiklik kaitsevarustus

- Toote kasutamise ajal kandke alati kohast isiklikku kaitsevarustust. Isiklik kaitsevarustus ei kõrvalda täielikult kehavigastuste ohtu. Isiklik kaitsevarustus vähendab õnnetuse korral kehavigastuse raskusastet.
- Toote kasutamisel kandke alati heakskiidetud kaitseprille.
- Ärge käsitsege toodet paljajalu või lahtiste jalatsitega. Kandke alati vastupidavaid libisemiskindlaid jalanõusid.
- Kandke tugevaid pikki pükse.
- Vajaduse korral kandke heakskiidetud kaitsekindaid.
- Kui valitseb kõrgel asuvate esemete allakukkumise oht, kandke kiivrit.
- Toote kasutamisel kandke alati heakskiidetud kõrvaklappe. Pikaajaline müraekskonnas viibimine võib põhjustada müra-st tingitud kuulmiskadu.
- Toote kasutamisel tolmuriknas keskkonnas kandke alati heakskiidetud tolmumaski.
- Veenduge, et läheduses asuks esmaabikomplekt.



## Toote kaitseseadised

- Tehke regulaarselt toote ettenähtud hooldustöid.
  - Toote kasutusiga pikeneb.
  - Õnnetuste oht väheneb.

Laske toode edasimüüja juures või volitatud hoolduskeskuses regulaarselt läbi vaadata ja teha vajalikud reguleerimis- või parandustööd.

- Ärge kasutage toodet, kui kaitseseadised on kahjustatud. Kui toode saab kahjustada, pöörduge volitatud hoolduskeskusesse.

## Seiskamislülit

Käivitage mootor. Veenduge, et seiskamislülit seadmisel seiskamisasendisse mootor seisukuks. (Joon. 16)

## Summuti



**HOIATUS:** Ärge puudutage kuuma summutit. Mootori töötamise ajal ja pärast selle seiskamist on summuti väga tuline. Summuti puudutamine võib tekitada põletusvigastusi.

- Ärge kasutage mootorit, kui summuti on kahjustatud. Kahjustatud summuti tõstab mürataset ja suurendab tulekahju ohtu. Hoidke tulekustuti käepärast.
- Kontrollige regulaarselt, kas summuti on toote küljes alles.
- Ärge puudutage mootorit ega summutit, kui mootor on tuline. Ärge puudutage mootorit ega summutit mõnda aega pärast mootori seiskamist. Tulised pinnad võivad põhjustada kehavigastusi.
- Tuline summuti võib põhjustada tulekahju. Olge väga ettevaatlik, kui kasutate toodet tuleohtlike vedelike või aurude läheduses.
- Kui summuti on kahjustatud, ärge puudutage summuti osi. Osad võivad sisaldada kantserogeenseid aineid.
- Mõnedel puhurseadme mudelitel on sädemepüüdur. Puhastage ja vahetage püüdurit määratud intervallide järel. Lugege hoolduspeatükki (*Hooldamine lk 100*).

(Joon. 17)

## Ohutusnõuded kütuse käsitlemisel

- Ärge käivitage toodet, kui toote pinnale on sattunud kütust või mootoriõli. Eemaldage kütus/õli toote pinnalt ja laske tootel kuivada. Eemaldage kütus toote pinnalt.
- Kui kütus satub rõivastele, siis vahetage kohe riideid.
- Vältige kütuse sattumist nahale, see võib põhjustada kehavigastusi. Kui kütus satub nahale, puhastage piirkond seebi ja veega.

- Ärge käivitage mootorit, kui kütus või õli satub toote pinnale või teie nahale.
- Ärge käivitage toodet, kui mootor lekib. Kontrollige regulaarselt mootori lekkekindlust.
- Olge kütuse käsitlemisel ettevaatlik. Kütus on tuleohtlik ja kütuse aurud on plahvatusohtlikud ning võivad põhjustada kehavigastusi või surma.
- Ärge hingake sisse kütuseaure, see võib põhjustada kehavigastuse. Tagage piisav õhuvahetus.
- Ärge suitsetage kütuse ega mootori läheduses.
- Ärge asetage kuumi esemeid kütuse ega mootori lähedusse.
- Ärge tankige kütust, kui mootor töötab.
- Enne tankimise alustamist veenduge, et mootor oleks külm.
- Enne tankimise alustamist avage aeglaselt kütusepaagi kork ja laske survel alaneda.
- Ärge tankige mootorit siseruumis. Ebapiisav õhuvahetus võib põhjustada lämbumisest või vingugaasimürgistusest tingitud kehavigastuse või surma.
- Keerake kütusepaagi kork hoolikalt kinni, et vältida tulekahju.
- Enne käivitamist viige toode vähemalt 3 m (10 jala) kaugusele kohast, kus toimus kütusepaagi täitmine.
- Ärge tankige paaki liiga palju kütust.
- Veenduge, et toote või kütusenõu liigutamisel ei tekiks leket.
- Ärge asetage toodet või kütusenõu kohta, kus on lahtine leek, sädemed või süütleek. Veenduge, et hoiukohas ei oleks lahtist leeki.
- Kütuse kandmiseks või hoidmiseks kasutage üksnes heakskiidetud mahuteid.
- Enne pikaajalisele hoiule jätmist tühjendage kütusepaak. Järgige kütuse kasutuselt kõrvaldamist reguleerivaid kohalikke eeskirju.
- Enne pikaajalisele hoiule jätmist puhastage toode.
- Enne toote hoiule jätmist eemaldage süüteküünla juhe, et välistada mootori tahtmatu käivitamise võimalus.

## Ohutusjuhised hooldamisel



**HOIATUS:** Ebaõige hooldus võib kaasa tuua mootori tõsise kahjustamise või ohtliku kehavigastuse.

Omanik vastutab kõigi kasutusjuhendis loetletud vajalike hooldustööde läbiviimise eest Enne hooldustööde alustamist lahutage süüteküünal. Ärge lahutage süüteküünalt enne karburaatori reguleerimist.

---

# Kokkupanek

---



**HOIATUS:** Enne toote kokkupanemise alustamist lugege läbi ohutuspeatükk.

---

## Tootele puhuritoru ja otsaku paigaldamine

---

**Märkus:** Puhuritoru asetamiseks puhuri väljalaskeavas tuleb polt piisavalt lahti keerata. Avamiseks keerake polti kruvikeerajaga vastupäeva.

1. Joondage ülemise puhuritoru eend puhuri väljalaskeava süvendiga. Lükake toru oma kohale.
2. Toru kinnitamiseks keerake polti kruvikeerajaga päripäeva.

**Märkus:** Mutri juures ärge tööriistu kasutage.

3. Joondage alumise puhuritoru avad ülemise toru sakkidega. Lükake alumine puhuritoru ülemise külge.
4. Keerake alumist puhuritoru päripäeva, kuni kuulete klõpsatust.

---

## Kogumiskoti paigaldamine erinevatele vaakumtorudele

---



**HOIATUS:** Enne torude tootele paigaldamist lülitage mootor välja.

---

## Kogumiskoti kokkupanek

---

1. Avage kogumiskott.
2. Lükake kogumiskoti toru koti seest koti sissetõmbeavasse
3. Veenduge, et elastikosa asetuks süvendisse (A).
4. Tõmmake kinni kotil olev tõmblukk. (Joon. 18)

---

## Töö

---



**HOIATUS:** Enne toote kasutamist lugege ohutuspeatükki ja tehke selles olev teave endale arusaadavaks.

---

## Kütus

---

### Kütuse kasutamine

---



**ETTEVAATUST:** Tootel on kahetaktiline mootor. Kasutage bensiini ja kahetaktiliste mootorite mootoriõli segu. Jälgige, et õli

---

## Kogumiskoti toru paigaldamine

1. Eemaldage puhuri toru, kui see on kinnitatud.
2. Joondage kogumiskoti toru (A) sakk puhuri väljalaskeava (B) süvendiga.
3. Suruge kogumiskoti toru täielikult puhuri väljalaskeavasse.
4. Sisestage mutter (C) vastavasse avasse.
5. Toru kinnitamiseks sisestage kruvi (D) ja keerake see kruvikeerajaga päripäeva kinni. (Joon. 19)

---

## Imuritorude kinnitamine

1. Joondage alumise imuritoru (A) nool ülemise imuritoru noolega (B).
2. Lükake alumine imuritoru ülemisse imuritorusse.
3. Paigaldage kruvikeeraja abil isekeermestuv kruvi (C), mis hoiab torusid koos. (Joon. 20)

---

## Imuritorude paigaldamine

1. Sisestage kruvikeeraja ots sissetõmbeava kinnitusse.
2. Sulguri vabastamiseks pöörake kruvikeerajat. (Joon. 21)
3. Hoidke sissetõmbeava katet lahti, kuni imuritoru on oma kohal.
4. Joondage sissetõmbeavas olevad sakid ülemise imuritoru avadega. Veenduge, et torul olev lukustussümbol on joondatud sissetõmbeaval oleva vabastussümboliga. (Joon. 22)
5. Lükake ülemine imuritoru täielikult sissetõmbeavasse.
6. Pöörake ülemist imuritoru päripäeva, kuni torul olev lukustussümbol on joondatud sissetõmbeaval oleva lukustussümboliga. Kui toru on õigesti kinnitatud, kostab klõps. (Joon. 23)

kogus segus oleks õige. Vale bensiini ja õli suhe võib mootorit kahjustada.

---

## Bensiin

---



**ETTEVAATUST:** Ärge kasutage bensiini, mille oktaaniarv on alla 90 RON (87 AKI). See võib toodet kahjustada.



**ETTEVAATUST:** Ärge kasutage bensiini, mille etanoolisisaldus (E10) on üle 10%. See võib toodet kahjustada.



**ETTEVAATUST:** Ärge kasutage pliibensiini. See võib seadet kahjustada.

- Kasutage alati värsket pliivaba bensiini, mille oktaaniarv on vähemalt 90 RON (87 AKI) ja etanoolisisaldus (E10) alla 10%.
- Kui toode töötab sageli püsivalt kõrge mootori kiirusega, kasutage suurema oktaaniarvuga bensiini.
- Kasutage alati kvaliteetset pliivaba bensiini ja õli segu.

### Kahetaktiiliste mootorite mootoriõli

- Kasutage üksnes kõrge kvaliteediga kahetaktiiliste mootorite mootoriõli. Kasutage üksnes õhkjahutusega mootorite mootoriõli.
- Ärge kasutage teist tüüpi õlisid.
- Segusuhe 50:1 (2%)

Bensiin	Õli
1 USA gallon	77 ml (2,6 untsi)
1 Briti gallon	95 ml (3,2 untsi)
5 l	100 ml (3,4 untsi)

### Kütusesegu valmistamine

**Märkus:** Kütuse segamiseks kasutage alati puhast kütusenõu.

**Märkus:** Ärge valmistage rohkem kütusesegu, kui kulub umbes 30 päeva jooksul.

1. Valage nõusse pool vajaminevast bensiinikogusest.
2. Valage nõusse kogu vajaminev õlikogus.
3. Loksutage kütusesegu, et koostisosad seguneksid.
4. Valage nõusse teine pool vajaminevast bensiinikogusest.
5. Loksutage kütusesegu, et koostisosad seguneksid.
6. Täitke kütusepaak.

### Kütuse tankimine

- Kasutage alati ülevoolukaitsega kütusenõu.
- Kui nõus on kütust, eemaldage ebavajalik kütus ja laske nõul kuivada.
- Veenduge, et kütusepaagi korgi ümbrus oleks puhas.
- Enne kütusesegu lisamist kütusepaaki loksutage kütusenõud.

### Käivitamine ja seiskamine

#### Enne mootori käivitamist

- Veenduge, et tootel poleks puuduvaid, kahjustatud, lahtisi või kulunud osi.

- Vaadake üle kogumiskott. Veenduge, et kogumiskott poleks kahjustatud ja et tõmbluuk oleks suletud.
- Kontrollige mutreid, kruvisid ja polte.
- Kontrollige õhufiltrit.
- Kontrollige, kas gaasihoovastiku nupp töötab korralikult.
- Kontrollige, kas seiskamislüliti töötab korralikult.
- Kontrollige, kas tootel ei esine kütuseleket.

### Külma mootori käivitamine



**HOIATUS:** Ärge kerige käivitusnööri ümber käe.



**ETTEVAATUST:** Ärge hoidke toodet jalgadega paigal.



**ETTEVAATUST:** Ärge tõmmake käivitusnööri lõppasendisse. Ärge laske väljatõmmatud käivitusnööri käepidet lahti. See võib toodet kahjustada.

**Märkus:** Kui mootor seiskub, liigutage õhuklapp suletud asendisse ja viige uuesti läbi käivitamistoiming.

1. Täitke kütusepaak puhta kütuseseguga.
2. Vajutage kütuse etteandepumpa 10 korda. (Joon. 24)
3. Liigutage mootori õhuklapp asendisse FULL CHOKE (suletud). (Joon. 25)
4. Lükake pöörlemiskiiruse regulaator lõpuni vastupäeva. (Joon. 26)
5. Hoidke vasaku käega seadme korpus vastu maapinda.
6. Tõmmake käivitusnööri käepidet, kuni mootor proovib käivituda. Ärge tõmmake üle 3 korra.
7. Liigutage õhuklapp 1/2 asendisse ja tõmmake käivitusnööri käepidet, kuni mootor käivitub ja tööle hakkab. (Joon. 27)
8. Laske mootoril umbes 10 sekundit töötada.
9. Vajutage gaasihoovastiku nupp lõpuni alla ja hoidke seda all kõigi järgnevate sammude ajal.
10. Liigutage õhuklapp asendisse OFF CHOKE (avatud). (Joon. 28)
11. Soojendage mootorit kuni üks minut.

### Sooja mootori käivitamine

1. Vajutage ja hoidke gaasihoovastiku nuppu.
2. Liigutage õhuklapp 1/2 asendisse.
3. Tõmmake kiiresti käivitusnööri käepidet, tõmmates samal ajal gaasihoovastiku nuppu, kuni mootor töötab.

4. Liigutage õhuklapp asendisse OFF CHOKE (avatud).

Vältige keha sattumist vastu heitgaasi väljalaskeva piirkonda.

## Mootori seiskamine

- Vajutage ja vabastage mootori STOP lüliti. Lüliti liigub automaatselt tagasi ON-asendisse. Enne toote taaskäivitamist oodake seitse sekundit, et lüliti jõuaks lähtestuda.

## Otsaku kasutamine

- Kui vajate täpset ja kontsentreeritud õhujuga, kasutage standardotsakut. (Joon. 29)
- Kui vajate laiemat õhujuga ja suuremat õhukiirust, kasutage kõrgsurveotsakut. (Joon. 30)

## Puhurseadme otsaku reguleerimine

- Bajonettkinnise eemaldamiseks keerake otsakut vasakule.
- Liigutage otsak kohasesse asendisse.
- Keerake otsakut paremale, kuni kuulete klõpsatust.

## Imamine

Enne imamise alustamist paigaldage vajalik ohutusvarustus.



**HOIATUS:** Enne kasutamist veenduge, et kogumiskott poleks kahjustatud ja et tõmbluk oleks suletud. Ärge kasutage kahjustatud kotti. Nii väldite õhku paiskuvast prahist tingitud kehavigastusi. Vasakukäeline kasutamine tõstab ohutaset.



**HOIATUS:** Ärge käivitage puhurseadet, kui sisselaskeava kate on lahti või kahjustatud (välja arvatud siis, kui on paigaldatud vaakumtoru).

- Puhuri töötamise ajal peab kogumiskotti toetama õlarihm. Rihma tuleb kanda öla ülaosal.
- Käivitage puhurseade. Täitke käivitamist ja seiskamist kirjeldavas peatükis toodud juhiseid *Käivitamine ja seiskamine lk 99*. Lugege läbi ohutuseeskirjad *Ohutus lk 95*.

## Kogumiskoti tühjendamine



**HOIATUS:** Vaadake kogumiskott alati üle. Enne kasutamist veenduge, et see poleks kahjustatud ja et tõmbluk oleks suletud. Ärge kasutage kahjustatud kotti. Lendav praht võib põhjustada kehavigastusi. Vasakukäelisel kasutamisel olge eriti ettevaatlik. Ärge puudutage heitgaasi väljalaskeva piirkonda.

- Seisake seade.
- Avage küljel asuv tõmbluk.
- Tühjendage kogumiskott.
- Sulgege lukk.

## Hooldamine



**HOIATUS:** Enne toote puhastamist, remontimist või hooldamist lugege ohutuspeatükki ja tehke selles olev teave endale arusaadavaks.

- Puhastage õhufilter. Vajaduse korral vahetage see välja.
- Veenduge, et sisselaskeava kate saaks suletud asendisse lukustada. Veenduge, et tiivik oleks puhas.
- Keerake kinni kõik mutrid ja poldid.
- Veenduge, et korpusel poleks pragusid.
- Veenduge, et kogumiskott poleks kahjustatud ja et tõmbluk töötaks. Vajadusel vahetage kott välja.

### Iganädalane hooldus

- Kontrollige käivitiseadme, käivitusnööri ja pingvedru seisukorda. Vahetage välja kõik kahjustatud osad.
- Kontrollige õhuvõtuava ja käivitiseadme seisukorda. Kui õhuvõtuava on ummistunud, eemaldage praht.
- Puhastage süüteküünl välispind. Võtke küünl maha ja kontrollige elektroodide vahet. Reguleerige vahekauguseks 6 mm või vahetage süüteküünl välja.
- Puhastage tiiviku labad.
- Puhastage sädemepüüdur või vajaduse korral vahetage see (mitte katalüsaatoriga summutite korral).

## Hoolduskeem

Järgige kindlasti hoolduskeemi. Intervallide arvutamisel on aluseks võetud toote igapäevane kasutamine. Kui toodet ei kasutata igapäevaselt, on intervallid erinevad. Tehke ainult neid hooldustöid, mida on selles kasutusjuhendis kirjeldatud. Hooldustööde osas, mida selles kasutusjuhendis kirjeldatud ei ole, pöörduge volitatud hoolduskeskuse poole.

### Igapäevane hooldus

- Puhastage välispinnad.
- Kontrollige pöörlemiskiiruse regulaatori ja gaasihoovastiku nupu toimimist. Vahetage välja kahjustatud osad.
- Kontrollige seiskamislüliti. Vajaduse korral vahetage see välja.
- Kontrollige tühikäigu kiirust.

- Puhastage karburaatori ümbrus.
- Puhastage õhufilter.

### Igakuine hooldus

- Kontrollige käivitusnööri käepidet ja käivitusnööri.
- Puhasta kütusepaak.
- Puhastage karburaator ja selle ümbrus.
- Puhastage tiiviku labad.
- Kontrollige, et kütusetorudes ei oleks mõrasid ega muid kahjustusi. Vajaduse korral vahetage need välja
- Vahetage välja kütusepaagis olev kütusefilter.
- Kontrollige kõiki juhtmeid ja ühendusi.
- Vahetage süüteküünal.
- Vahetage õhufilter.

### Iga-aastane hooldus

- Kontrollige süüteküünalt.
- Puhastage karburaatori välispind ja selle ümbrus.
- Puhastage jahutusüsteemi.
- Kontrollige sädemepüüdurit.
- Kontrollige kütusefiltrit.
- Veenduge, et kütusevoolikul poleks kahjustusi.
- Kontrollige kõiki juhtmeid ja ühendusi.

### 50 töötunni järgne hooldus

- Laske summuti volitatud hoolduskeskuses parandada või asendada.

### Tühikäigu pöörete arvu reguleerimine

- Enne tühikäigu pöörete arvu reguleerimist veenduge, et õhufilter oleks puhas ja õhufiltri kate asuks oma kohal.
- Reguleerige tühikäigu pöörete arvu tühikäigu reguleerimiskruviga T, mis kannab tähist „T”.
- Tühikäigu pöörete arv on õige siis, kui mootor töötab igas asendis ühtlaselt.

(Joon. 31)

1. Kiiruse tõstmiseks keerake tühikäigu reguleerimiskruvi päripäeva.
2. Kiiruse langetamiseks keerake tühikäigu reguleerimiskruvi vastupäeva.

### Sädemepüüduri hooldamine

Puhastage sädemepüüdur terasharjaga.

### Jahutusüsteemi puhastamine

(Joon. 32)

Puhastage jahutusüsteemi osad harjaga.

### Süüteküünla kontrollimine



**ETTEVAATUST:** Kasutage alati soovitatud tüüpi süüteküünalt. Vale tüüpi süüteküünal võib toodet kahjustada.

- Kontrollige süüteküünalt, kui mootori võimsus on madal, mootor ei käivitu kergesti või ei tööta tühikäigul korralikult.
- Süüteküünla elektroodidele võõrainete kogunemise ohu vähendamiseks täitke järgmisi juhiseid.
  - a) Veenduge, et tühikäigu pöörete arv on õigesti seadistatud.
  - b) Veenduge, et kütusesegu oleks õige.
  - c) Veenduge, et õhufilter oleks puhas.
- Kui süüteküünal on määrdunud, puhastage see ja kontrollige, kas elektroodide vahe on õige, vt jaotist *Tehnilised andmed lk 101.* (Joon. 33)
- Vajaduse korral vahetage süüteküünal välja.

### Õhufiltri hooldamine

#### Õhufiltri puhastamine

1. Eemaldage õhufiltri kate ja õhufilter. (Joon. 34)
2. Puhastage õhufilter sooja seebiveega. Enne tagasi paigaldamist veenduge, et õhufilter oleks kuiv.
3. Kui õhufilter on puhastamiseks liiga määrdunud, asendage see. Kahjustatud õhufilter tuleb alati välja vahetada.
4. Kui tootel on vahtplastist õhufilter, kandke sellele õhufiltri õli. Kandke õhufiltri õli ainult vahtplastist filtrile. Ärge kandke õli vildist filtrile.

## Tehnilised andmed

	Ühik	125B (125B28HV)	125BX (125B28HV)	125BVX (125B28HV)
<b>Mootori andmed</b>				
Silindri maht	cm <sup>3</sup>	28	28	28
Elektroodi vahe	mm	0,6	0,6	0,6

Kütusepaagi maht	cm <sup>3</sup>	500	500	500
Tühikäigu pöörete arv	min <sup>-1</sup>	2800–3200	2800–3200	2800–3200
Maksimumvõimsuse kiirus	min <sup>-1</sup>	8000	8000	8000
Võimsus	kW	0,8	0,8	0,8
Süüteküünel		Champion RCJ-6Y	Champion RCJ-6Y	Champion RCJ-6Y
Maksimaalne kiirus, puhurežiim	min <sup>-1</sup>	8600	8600	8600
Maksimaalne kiirus, imurežiim	min <sup>-1</sup>	--	7500	7500
Heite püsisaeg	H	125	125	125
<b>Müra- ja vibratsioonandmed</b>				
Samaväärne vibratsioonitase käepidemel, varustatud puhuritorude ja otsakuga (originaalvarustus) – vt märkust 1	m/s <sup>2</sup>	11,03	11,03	11,03
Samaväärne vibratsioonitase käepidemel, varustatud vaakumtorudega (originaalvarustus) – vt märkust 1	m/s <sup>2</sup>	--/--	12,16/12,29	12,16/12,29
Samaväärne helirõhu tase kasutaja kõrva juures, mõõdetud vastavalt standardile ISO 22868, varustatud puhuritorude ja otsakuga (originaalvarustus) – vt märkust 3	dB (A)	96	96	96
Helirõhk kõrvalseisja kõrva juures on mõõdetud vastavalt standardile ISO 22868, kui paigaldatud on puhuritorud ja otsak (originaalvarustus)	dB (A)	71	71	71
Helitugevuse tase, mõõdetud – vt märkust 2	dB (A)	109	109	109
Helitugevuse tase, garanteeritud (L <sub>WA</sub> ) – vt märkust 2	dB (A)	112	112	112
<b>Toote mõõtmised</b>				
Kaal (ilma kütuseta, kuid koos paigaldatud puhuritoru ja standardotsakuga)	kg	4.3	4.4	4.4
<p><b>1. märkus:</b> Ekvivalentse vibratsioonitaseme kohta toodud andmete tüüpiline statistiline dispersioon (standardhälve) on 1 m/s<sup>2</sup>.</p> <p><b>2. märkus:</b> Müraemissioon ümbritsevasse keskkonda, mõõdetud helivõimsuse tasemena (L<sub>WA</sub>) vastavalt EÜ direktiivile 2000/14/EÜ. Seadme antud helivõimsuse tase mõõdeti enim müra tekitava originaalvarviku kasutamisel. Erinevus garanteeritud ja mõõdetud helivõimsustaseme vahel seisneb selles, et direktiivi 2000/14/EÜ alusel hõlmab garanteeritud helivõimsustase ka mõõtmistulemuste dispersiooni ja kõrvalekaldeid sama mudeli erinevate seadmete vahel.</p> <p><b>3. märkus.</b> Antud andmetel seadme helitugevuse taseme ekvivalendi kohta on statistiline tüüplevi 1 dB(A) (standardne kõrvalekalle).</p>				

Ventilaator	Ühik	125B	125BX	125BVX
Tüüp		Radiaalventilaator	Radiaalventilaator	Radiaalventilaator
Suurim õhukiirus, standardotsak	km/h	217	217	217
Suurim õhukiirus, kõrgsurveotsak*	km/h	273	273	273

Õhumaht, puhurežiim	cfm	425	425	425
Õhumaht, vaakumrežiim	cfm	--	445	445
*valikuline lisatarvik mõnedel mudelitel				

## Lisatarvikud

125B, 125BX, 125BVX	
<b>Heakskiidetud lisavarustus</b>	<b>Tüüp</b>
Rennipuhastuskomplekt	952 711 918
125BX, 125BX	
<b>Heakskiidetud lisavarustus</b>	<b>Tüüp</b>
Vaakumkomplekt	952 711 913
125B	
<b>Heakskiidetud lisavarustus</b>	<b>Tüüp</b>
Kõrgsurveotsak	545 119 501

## EL-i vastavusdeklaratsiooni sisu

Meie, Husqvarna AB, SE 561 82 Huskvarna, SWEDEN, deklareerime ainuvastutusel, et kirjeldatud toode:

Kirjeldus	Gasoline Blower/ Blower-Vacuum
Kaubamärk	Husqvarna
Platvorm/tüüp/mudel	Platvorm125B28HV, mille alla kuulub mudel 125B, 125BX, 125BVX
Partii	Seerianumber alates aastast 2019.

vastab täielikult järgmistele EÜ direktiividele ja eeskirjadele:

Direktiiv/eeskiri	Kirjeldus
2006/42/EC	„masinadirektiiv“
2014/30/EC	„elektromagnetilise ühilduvuse direktiiv“
2000/14/EC	„välitingimustes kasutatavate seadmete müra direktiiv“

Direktiiv/eeskiri	Kirjeldus
2011/65/EU	„direktiiv teatavate ohtlike ainete kasutamise piiramise kohta“

Kohalduvad järgmised ühtlustatud standardid ja/või tehnilised spetsifikatsioonid: EN ISO 12100, EN ISO 1186-1, CISPR 12, ISO 14982, EN 50581

Vastavalt direktiivi 2000/14/EC lisale V on deklareeritud helitaseme väärtused toodud tehniliste andmete jaotises ja allkirjastatud EÜ vastavusdeklaratsioonis.

Intertek on teostanud Husqvarna AB tellimusel vabatahtliku ekspertiisi ja väljastanud vastavussertifikaadi vastavalt EÜ Nõukogu masinadirektiivile 2006/42/EC.

Allkirjastatud EÜ vastavusdeklaratsioonil toodud sertifikaat kehtib kõikidele tootel viidatud tootmiskohtadele ja päritoluriikidele.

Tarnitud Gasoline Blower/ Blower-Vacuum vastab näidisele, mis läbis kontrolli.

---

## Sisältö

---

Johdanto.....	104	Huolto.....	110
Turvallisuus.....	105	Tekniset tiedot.....	111
Asentaminen.....	107	Lisävarusteet.....	113
Käyttö.....	108	EU:n vaatimustenmukaisuusvakuutus.....	113

---

## Johdanto

---

### Käyttöohjekirja

Tämän käyttöohjekirjan alkuperäiskieli on englanti. Muunkieliset käyttöohjekirjat ovat käännöksiä englannista.

(Kuva 1)

1. Olkahihna (125BVX)
2. Turvaliipaisin
3. Pysäytyskytkin
4. Nopeuden säätö
5. Tuulettimen kotelo
6. Polttoainesäiliön korkki
7. Ilmansuodatin
8. Rikastin
9. Polttoainepumppu
10. Imuaukon suojus
11. Imurikahva (125BX ja 125BVX)
12. Leikkaimet (125BX ja 125BVX)
13. Puhallinpyörä
14. Standardisuutin
15. Suurinopeuksinen suutin (125BX ja 125BVX)
16. Puhallusputki
17. Putken kiinnityspultti
18. Putken kiinnitysmutterit
19. Äänenvaimennin
20. Maadoitusjohdin
21. Käynnistyskahva
22. Käynnistyslaite
23. Kaasuttimen säätöruuvit
24. Käyttöohjekirja
25. Imuri, johon kuuluvat alla näkyvät osat 26-30
26. Keruusäiliön putki
27. Keruusäiliö
28. Imuputki kahdessa osassa
29. Ruuvi
30. Olkahihna

### Laitteen symbolit

(Kuva 2) Varoitus

(Kuva 3) Lue tämä käyttöohjekirja.

(Kuva 4) Käytä hyväksytyjä kuulonsuojaimia.

### Yleiskatsaus

(Kuva 4) Käytä hyväksytyjä silmäsuojaimia.

(Kuva 4) Käytä hyväksytyjä hengityssuojaimia.

(Kuva 5) Käytä hyväksytyjä suojakäsineitä.

(Kuva 6) Laitte voi saada esineitä sinkoutumaan, mikä voi vahingoittaa silmiä.

(Kuva 7) Turvaetäisyys

(Kuva 8) Älä mene lähelle puhallinpyörää, kun se pyörii.

(Kuva 9) Älä päästä lapsia laitteen lähelle.

(Kuva 10) Äänitehotaso

(Kuva 11) Äänitaso

(Kuva 12) Sido pitkät hiukset olkapäiden yläpuolelle.

(Kuva 13) Laitte täyttää voimassa olevien EY-direktiivien vaatimukset.

(Kuva 14) Laitte täyttää voimassa olevien EAC-direktiivien vaatimukset.

(Kuva 15) Laitte täyttää voimassa olevien Ukrainan direktiivien vaatimukset.

---

**Huomautus:** Muita laitteen symboleita/tarroja tarvitaan muilla markkina-alueilla ilmaisemaan sertifiointivaatimuksia.

---

### Euro V -päästöt

---



**VAROITUS:** Moottorin muokkaaminen mitätöi tuotteen EU-tyyppihyväksynnän.

---

### Tuotevastuu

Tuotevastuulain mukaisesti emme ole vastuussa tuotteen aiheuttamasta vaurioista, jos

- tuote on korjattu virheellisesti
-



- tuotteen korjaamiseen on käytetty muita kuin valmistajan omia tai sen hyväksymiä osia
- tuotteessa on muu kuin valmistajan oma tai sen hyväksymä lisävaruste

- tuotetta ei ole korjattu valtuutetussa huoltopisteessä tai hyväksytyllä asiantuntijalla.

---

## Turvallisuus

---

### Turvallisuusmääritelmät

Oheiset määritelmät kertovat huomiosanojen vakavuustason.



**VAROITUS:** Henkilövahinko.



**HUOMAUTUS:** Laitevaurio.

**Huomautus:** Nämä tiedot helpottavat laitteen käyttöä.

### Yleiset turvaohjeet



**VAROITUS:** Lue seuraavat varoitusohjeet ennen koneen käyttämistä.

- Käytä laitetta oikein. Virheellinen käyttö voi aiheuttaa tapaturman tai kuoleman. Käytä laitetta vain tässä käyttöohjekirjassa esitetyihin tehtäviin. Älä käytä laitetta muihin tehtäviin.
- Noudata tämän käyttöohjekirjan ohjeita. Noudata turvallisuussymboleita ja turvaohjeita. Jos käyttäjä ei noudata ohjeita ja symboleita, seurauksena voi olla vamma, vaurio tai kuolema.
- Älä hävitä tätä käyttöohjekirjaa. Noudata laitteen asennusta, käyttöä ja kunnossapitoa koskevia ohjeita. Asenna lisälaitteet ja lisävarusteet oikein ohjeiden mukaisesti. Käytä vain hyväksytyjä lisälaitteita ja lisävarusteita.
- Älä käytä vaurioitunutta laitetta. Noudata huoltokaaviota. Tee vain sellaisia huoltotoimia, joita koskevat ohjeet löytyvät tästä käyttöohjekirjasta. Valtuutetun huoltopisteen on tehtävä kaikki muut huoltotyöt.
- Tämä käyttöohjekirja ei voi sisältää kaikkia laitteen käyttöön liittyviä tilanteita. Ole varovainen ja käytä tervettä järkeä. Älä käytä laitetta tai huolla sitä, jos et ole varma tilanteesta. Kysy ohjeita laitteen asiantuntijalta, jälleenmyyjältä, huoltoliikkeestä tai valtuutetusta huoltopisteestä.
- Irrota syytystulpan johto ennen laitteen asentamista, säilytykseen siirtämistä tai huoltoa.
- Älä käytä laitetta, jos sen alkuperäisiä ominaisuuksia on muutettu. Älä muuta edes osaa laitteesta ilman valmistajan lupaa. Käytä ainoastaan valmistajan

- hyväksymiä osia. Virheellinen huolto voi aiheuttaa tapaturman tai kuoleman.
- Älä hengitä moottorin kaasuja. Moottorin pakokaasujen pitkäaikainen hengittäminen on terveydelle vaarallista.
- Älä käynnistä laitetta sisätiloissa tai lähellä herkästi syttyvää materiaalia. Pakokaasut ovat kuumia ja voivat sisältää kipinöitä, jotka voivat aiheuttaa tulipalon. Jos ilmanvirtaus ei ole riittävä, tukehtuminen tai hiilimonoksidin hengittäminen voi aiheuttaa vamman tai kuoleman.
- Kun laitetta käytetään, moottori muodostaa sähkömagneettisen kentän. Sähkömagneettinen kenttä voi vaurioittaa lääketieteellisiä implantteja. Neuvottele lääkärin ja lääketieteellisen implantin valmistajan kanssa, ennen kuin käytät laitetta.
- Älä anna lasten käyttää laitetta. Koneita saavat käyttää vain henkilöt, jotka ovat lukeneet ohjeet.
- Muista aina valvoa laitetta käyttävää henkilöä, jonka fyysiset tai psyykkiset taidot ovat heikentyneet. Vastuullisen aikuisen on oltava aina paikalla.
- Lukitse laite paikkaan, johon lapset ja asiattomat henkilöt eivät pääse.
- Laite voi saada esineitä sinkoutumaan ja aiheuttaa näin vammoja. Noudata turvaohjeita tapaturmien tai kuoleman vaaran ehkäisemiseksi.
- Älä poistu laitteen luota, kun moottori on käynnissä.
- Laitteen käyttäjä on vastuussa, jos tapahtuu onnettomuus.
- Varmista ennen laitteen käyttämistä, ettei osissa ole vaurioita.
- Varmista ennen laitteen käyttämistä, että olet vähintään 15 m:n etäisyydellä muista ihmisistä tai eläimistä. Varmista, että lähistöllä olevat henkilöt tietävät sinun aikovan käyttää laitetta.
- Noudata kansallisia ja paikallisia lakeja. Ne voivat estää laitteen käytön tai rajoittaa sitä joissakin olosuhteissa.
- Älä käytä laitetta ollessasi väsynyt tai jos olet alkoholin, huumaavien aineiden tai lääkkeiden vaikutuksen alaisena. Ne voivat vaikuttaa näkökykyyn, vireyteen, harkintakykyyn tai kehon hallintaan.

### Tärinäturvallisuus

Tämä laite on tarkoitettu vain tilapäiseen käyttöön. Laitteen jatkuva tai säännöllinen käyttö voi aiheuttaa valkosormisuutta tai vastaavia tärinän aiheuttamia terveydellisiä ongelmia. Tutki käsiesi ja sormiesi kunto, jos käytät laitetta jatkuvasti tai säännöllisesti. Käänny välittömästi lääkärin puoleen, jos käsissäsi tai

sormissasi esiintyy värinmuutoksia, kipua, kihelmöintiä tai ne puuttuvat tai eivät toimi.

## Turvaohjeet puhaltimen käyttöä varten

- Käytä puhallinta ainoastaan lehtien ja muiden roskien puhaltamiseen tai poistamiseen maasta.
- Älä käytä laitetta ollessasi väsynyt tai sairas tai jos olet alkoholin, huumaavien aineiden tai lääkkeiden vaikutuksen alaisena.
- Älä päästä paikallaolevia henkilöitä tai eläimiä lähemmäksi kuin 15 metriä käyttäjästä.
- Laitte voi saada esineitä sinkoutumaan kovalla vauhdilla käyttäjää kohti. Se voi vahingoittaa silmiä.
- Älä suuntaa puhaltimen suutinta ihmisiä tai eläimiä kohden.
- Sido pitkät hiukset olkapäiden yläpuolelle.
- Pysäytä moottori ennen lisävarusteiden tai muiden osien asennusta tai irrottamista.
- Älä käytä laitetta ilman suojusta.
- Älä käytä laitetta, jos työskentelyalueella on ihmisiä. Sammuta laite, jos työskentelyalueelle tulee ihminen.
- Älä käytä laitetta tilassa, jossa ei ole riittävä ilmanvirtaus. Jos ilmanvirtaus ei ole riittävä, tukehtuminen tai hiilimonoksidin hengittäminen voi aiheuttaa vamman tai kuoleman.
- Äänenvaimennin on erittäin kuuma, kun laitetta käytetään, kun laite sammutetaan, ja kun laite käy joutokäyntinopeudella. Ole varovainen, jos käytät laitetta syttyvien nesteiden tai kaasujen läheisyydessä.
- Älä koske imuaukon suojuksen alueeseen. Pidä korut ja löysät vaatteet poissa imuaukon suojuksen alueelta.
- Pidä aina kunnollinen jalansija, ja käytä moottorisahaa vain seistessäsi turvallisella ja tasaisella pinnalla. Liukkaat tai epätasaiset pinnat, kuten tikkaat, voivat aiheuttaa tasapainon tai hallinnan menettämisen.
- Älä käytä laitetta korkeissa paikoissa, kuten katolla.
- Varmista laitteen kiinnitys kuljetuksen aikana.
- Käytä laitetta vain suositeltuina kellonaikoina. Noudata paikallisia säädöksiä. Yleisesti suositellut ajat ovat 9.00–17.00 maanantaista lauantaihin.
- Käytä laitetta mahdollisimman pienellä kaasulla.
- Varmista, ettet voi kaatua, kun käytät laitetta. Älä kallistu, kun käytät laitetta.
- Varmista, että laite (ja erityisesti äänenvaimennin, ilmanottoaukko ja ilmansuodatin) on hyvässä kunnossa ennen käyttöä.
- Irrota roskat maasta ensiksi haravan tai harjan avulla ennen laitteen käyttämistä.
- Jos työalue on liikainen, pese se letkulla.
- Voit käyttää laitetta letkun sijaan ja säästää vettä.
- Puhalla roskat turvallisesti pois. Varo lapsia, eläimiä, avoimia ikkunoita ja ajoneuvoja.
- Älä suuntaa laitetta herkästi hajoavia kasveja kohti.

- Älä puhalla ilmaa seinä, suuria kiviä, ajoneuvoja ja aitoja kohti.
- Jos puhallat sisäreunoja puhtaaksi, puhalla reunasta keskelle työaluetta kohti. Jos et tee niin, roskat voivat sinkoutua kasvoihisi ja aiheuttaa silmävamman.
- Käytä suuttimen koko jatkoputkea, jotta ilmvirta pysyy lähellä maata.
- Paikallaolevien henkilöiden on käytettävä silmäsuojaimia.
- Kun olet valmis, hävitä roskat muiden jätteiden mukana.

## Turvaohjeet imurin käyttöä varten

- Estä puhaltimen vaurioituminen. Älä imuroi suuria ja kiinteitä esineitä, kuten puunpalasia, tölkkejä, koristekatetta tai pitkiä narun pätkiä.
- Älä anna imuputken koskettaa maata.
- Pysäytä moottori ja irrota sytytystulpan suojus, ennen kuin poistat tukoksen.

## Henkilökohtainen suojarustus

- Käytä aina oikeanlaista henkilökohtaista suojarustusta, kun käytät laitetta. Henkilökohtainen suojarustus ei poista tapaturmien vaaraa. Henkilökohtainen suojarustus lieventää vammaa, jos sattuu onnettomuus.
- Käytä aina hyväksytyjä silmäsuojaimia, kun käytät laitetta.
- Älä käytä laitetta paljain jaloin tai avonaisissa jalkineissa. Käytä aina kestäviä luistamattomia jalkineita.
- Käytä vahvakankaisia, pitkiä housuja.
- Käytä suojakäsineitä tarvittaessa.
- Käytä kypärää, jos on mahdollista, että päähän putoaa esineitä.
- Käytä aina hyväksytyjä kuulonsuojaimia, kun käytät laitetta. Pitkäkestoinen melulle altistuminen voi aiheuttaa kuulovaurioita.
- Käytä aina hyväksytyä hengityssuojainta, kun käytät laitetta pölyisessä ympäristössä.
- Varmista, että lähistöllä on ensiapupakkaus.

## Laitteen turvalaitteet

- Muista huoltaa laite säännöllisesti.
  - Laitteen käyttöikä pitenee.
  - Onnettomuusvaara pienenee.

Anna valtuutetun jälleenmyyjän tai huoltopisteen tarkastaa laite säännöllisesti säätöjen tai korjausten varalta.

- Älä käytä laitetta, jos turvalaitteet ovat vaurioituneet. Jos laitteessa on vaurioita, ota yhteyttä valtuutettuun huoltopisteeseen.

## Pysäytyskytkin

Käynnistä moottori. Varmista, että moottori sammuu, kun siirräät pysäytyskytkimen pysäytysasentoon. (Kuva 16)

## Äänenvaimennin



**VAROITUS:** Älä koske kuumaan äänenvaimentimeen. Äänenvaimennin on erittäin kuuma, kun laite on käynnissä tai kun laite sammutetaan. Kuuman äänenvaimentimen koskettaminen voi aiheuttaa palovammoja.

- Älä käytä moottoria, jos äänenvaimennin on vaurioitunut. Vaurioitunut äänenvaimennin nostaa äänitasoa ja lisää tulipalon vaaraa. Pidä palonsammutin lähistöllä.
- Tarkista säännöllisesti, että äänenvaimennin on kiinni laitteessa.
- Älä kosketa moottoria tai äänenvaimenninta, kun moottori on käynnissä. Älä kosketa moottoria tai äänenvaimenninta hetkeen moottorin sammuttamisen jälkeen. Kuumat pinnat voivat aiheuttaa vammoja.
- Kuuma äänenvaimennin voi aiheuttaa tulipalon. Ole varovainen, jos käytät laitetta palavien nesteiden tai kaasujen läheisyydessä.
- Älä kosketa äänenvaimentimen osia, jos äänenvaimennin on vaurioitunut. Osat voivat sisältää syöpää aiheuttavia kemikaaleja.
- Joissain malleissa on kipinäverkko, joka pitää puhdistaa ja vaihtaa säännöllisin väliajoin. Katso lisätietoja kohdasta Huolto (*Huolto sivulla 110*).

(Kuva 17)

## Polttoaineturvallisuus

- Älä käynnistä laitetta, jos sen päällä on polttoainetta tai moottoriöljyä. Poista ylimääräinen polttoaine tai öljy ja anna laitteen kuivua. Poista ylimääräinen polttoaine laitteesta.
- Jos olet läikyttänyt polttoainetta vaatteillesi, vaihda vaatteet heti.
- Varo, ettei iholle pääse polttoainetta, sillä se voi aiheuttaa vamman. Jos ihollesi joutuu polttoainetta, pese se pois vedellä ja saippualla.
- Älä käynnistä moottoria, jos läikytät öljyä tai polttoainetta laitteen päälle tai yleski.
- Älä käynnistä laitetta, jos moottori vuotaa. Tarkista moottori säännöllisesti vuotojen varalta.

- Käsittele polttoainetta varoen. Polttoaine on syttyvää ja kaasut ovat räjähdysherkkiä, mikä voi aiheuttaa tapaturman tai kuoleman.
- Älä hengitä polttoainehöyryjä, sillä ne voivat aiheuttaa vamman. Varmista, että ilmanvirtaus on riittävä.
- Älä tupakoi polttoaineen tai moottorin lähistöllä.
- Älä sijoita lämpimiä esineitä polttoaineen tai moottorin lähelle.
- Älä lisää polttoainetta, kun moottori on käynnissä.
- Varmista ennen polttoaineen lisäämistä, että moottori on jäähtynyt.
- Ennen kuin lisäät polttoainetta, avaa polttoainesäiliön korkki hitaasti ja vapauta paine varovasti.
- Älä lisää polttoainetta moottoriin sisätilassa. Jos ilmanvirtaus ei ole riittävä, tukehtuminen tai hiilimonoksidin hengittäminen voi aiheuttaa vamman tai kuoleman.
- Kiristä polttoainesäiliön korkki varovasti tulipalon vaaran vuoksi.
- Siirrä laite ennen käynnistämistä vähintään 3 metrin (10 ft) päähän paikasta, jossa täytit säiliön.
- Älä lisää säiliöön liikaa polttoainetta.
- Varmista, ettei polttoainetta pääse vuotamaan, kun liikutat laitetta tai polttoainekannua.
- Älä sijoita laitetta tai polttoainekannua paikkaan, jossa on avotulta, kipinöitä tai sytytysliekkejä. Varmista, ettei säilytyspaikassa ole avotulta.
- Käytä vain hyväksytyjä kannuja polttoaineen siirtämiseen tai säilyttämiseen.
- Tyhjennä polttoainesäiliö ennen pitkäaikaista säilytystä. Noudata paikallista polttoaineen hävittämistä koskevaa lakia.
- Puhdista laite ennen pitkäaikaista säilytystä.
- Irrota sytytystulpan johto ennen laitteen siirtämistä säilytykseen moottorin tahattoman käynnistymisen estämiseksi.

## Turvaohjeet huoltoa varten



**VAROITUS:** Huolimaton huolto voi johtaa vakaviin moottorivikoihin ja onnettomuuksiin.

Omistajan velvollisuus on suorittaa kaikki tämän käyttöohjeen mukaiset huoltotoimenpiteet. Irrota sytytystulppa ennen huoltotöiden aloittamista. Älä irrota sytytystulppaa ennen kaasuttimen säätämistä.

## Asentaminen



**VAROITUS:** Lue turvallisuutta käsittelevä luku ennen laitteen asentamista.

## Puhallusputken ja suuttimen asentaminen laitteeseen

**Huomautus:** Pultin on oltava riittävän löysällä, jotta puhallusputken voi kiinnittää puhaltimen ulostuloon.

Avaa pultti kiertämällä sitä ruuvimeissillä vastapäivään.

1. Kohdist ylemmän puhallusputken uloke puhaltimen ulostulossa olevaan uraan. Siirrä putki paikalleen.
2. Kiinnitä putki kiertämällä pulttia ruuvimeissillä myötäpäivään.

**Huomautus:** Älä käytä mitään työkalua mutterin kanssa.

3. Kohdist alemmassa puhallusputkessa olevat lovet ylemmässä puhallusputkessa olevien kohoumien kohdalle. Siirrä alempi puhallusputki ylemmän puhallusputken päälle.
4. Käännä alempaa puhallusputkea myötäpäivään, kunnes kuulet naksahduksen.

## Keruusäiliön kiinnittäminen erilaisiin imuputkiin



**VAROITUS:** Sammuta moottori ennen kuin kiinnität putket laitteeseen.

## Keruusäiliön asennus

1. Avaa keruusäiliö.
2. Työnnä imuripussin putki pussin sisältä ja kiinnitä se pussin imuaukkoon.
3. Varmista, että kumi on paikallaan urassa (A).
4. Sulje pussin vetoketju. (Kuva 18)

## Keruusäiliön putken asentaminen

1. Irrota mahdollinen puhallusputki.

2. Kohdist keruusäiliön putken (A) kieleke puhaltimen ulostulossa (B) olevaan uraan.
3. Työnnä keruusäiliön putki kokonaan puhaltimen ulostuloon.
4. Aseta mutteri (C) sille varattuun aukkoon.
5. Kiinnitä putki asentamalla ruuvi (D) ja kiristämällä ruuvi ruuvimeissillä. (Kuva 19)

## Imuputkien kiinnittäminen toisiinsa

1. Kohdist alemmassa imuputkessa (A) oleva nuoli ylemmässä imuputkessa (B) olevan nuolen kohdalle.
2. Työnnä alempi imuputki ylemmän imuputkeen.
3. Asenna ruuvimeissillä itseporautuva ruuvi (C), joka pitää putket kiinni toisissaan. (Kuva 20)

## Imuputkien asentaminen

1. Työnnä ruuvimeisselin kärki imuaukon salpa-alueelle.
2. Vapauta salpa kiertämällä ruuvimeisseliä. (Kuva 21)
3. Pidä imuaukon suojusta auki, kunnes imuputki on kiinnitetty paikalleen.
4. Kohdista imuaukon sisäpuolella olevat kielekkeet ylemmässä imuputkessa olevien aukkojen kohdalle. Varmista, että putken lukkosymboli on kohdakkain imuaukon avauskuvakkeen kanssa. (Kuva 22)
5. Työnnä ylempi imuputki kokonaan imuaukkoon.
6. Käännä ylemmää imuputkea myötäpäivään, kunnes putken lukkosymboli on kohdakkain imuaukon lukkosymbolin kanssa. Putkesta kuuluu napsahdus, kun se on kiinnitetty oikein. (Kuva 23)

## Käyttö



**VAROITUS:** Lue ja sisäistä turvallisuutta käsittelevä luku ennen laitteen käyttämistä.

## Polttoaine

### Polttoaineen käyttö



**HUOMAUTUS:** Tässä laitteessa on kaksitahtimoottori. Käytä bensiinin ja kaksitahtimoottoriöljyn seosta. Varmista, että seoksessa on oikea määrä öljyä. Bensiinin ja öljyn väärä suhde voi aiheuttaa moottorivaurion.

## Bensiini



**HUOMAUTUS:** Älä käytä bensiiniä, jonka oktaaniluku on pienempi kuin 90 RON (87 AKI). Se voi vaurioittaa laitetta.



**HUOMAUTUS:** Älä käytä bensiiniä, jonka etanolipitoisuus (E10) on yli 10 prosenttia. Se voi vaurioittaa laitetta.



**HUOMAUTUS:** Älä käytä lyijyistä bensiiniä. Se voi vaurioittaa laitetta.

- Käytä aina uutta lyijytöntä bensiiniä, jonka oktaaniluku on vähintään 90 RON (87 AKI) ja etanolipitoisuus (E10) alle 10 prosenttia.

- Käytä bensiiniä, jonka oktaaniluku on suurempi, jos käytät laitetta usein jatkuvasti suurella moottorin käyntinopeudella.
- Käytä aina laadukasta lyijyttömän bensiinin ja öljyn seosta.

### Kaksitahtimoottoriöljy

- Käytä vain laadukasta kaksitahtimoottoriöljyä. Käytä vain ilmajäähdytteistä moottoriöljyä.
- Älä käytä muita öljytyyppejä.
- Sekoitussuhde 50:1 (2 %)

Bensiini	Öljy
1 gallona (US)	77 ml (2,6 oz)
1 gallona (UK)	95 ml (3,2 oz)
5 l	100 ml (3,4 oz)

### Polttoaineseoksen valmistus

**Huomautus:** Käytä aina puhdasta polttoainekannua, kun sekoitat polttoainetta.

**Huomautus:** Tee polttoaineseosta vain 30 päiväksi kerrallaan.

1. Lisää puolet bensiinin määrästä.
2. Lisää koko öljymäärä.
3. Sekoita polttoaineseos ravistamalla.
4. Lisää loput bensiinistä.
5. Sekoita polttoaineseos ravistamalla.
6. Täytä polttoainesäiliö.

### Polttoaineen lisäys

- Käytä ylitäyttösuojalla varustettua polttoainekannua.
- Jos kannussa on polttoainetta, poista se ja anna kannun kuivua.
- Varmista, että polttoainesäiliön korkin alue on puhdas.
- Ravista polttoainekannua, ennen kuin lisäät polttoaineseosta polttoainesäiliöön.

## Käynnistyksen ja sammutus

### Ennen moottorin käynnistämistä

- Tarkista laite puuttuvien, vaurioituneiden, löystyneiden tai kuluneiden osien varalta.
- Tarkista keruusäiliö. Varmista, että keruusäiliö ei ole vaurioitunut, ja että vetoketju on kiinni.
- Tarkista mutterit, ruuvit ja pultit.
- Tarkista ilmansuodatin.
- Tarkista turvaliipaisimen asianmukainen toiminta.
- Tarkista pysäytyskytkimen asianmukainen toiminta.
- Tarkista laite polttoainevuotojen varalta.

## Kylmän moottorin käynnistyksen



**VAROITUS:** Älä kiedo käynnistysnarua kätesi ympärille.



**HUOMAUTUS:** Älä tue laitetta jalallasi.



**HUOMAUTUS:** Älä vedä käynnistysnarua loppuun asti. Älä irrota otetta käynnistysnarusta, kun se on ulkona. Tämä voi vaurioittaa laitetta.

**Huomautus:** Jos moottori sammuu, siirrä rikastinvipu suljettuun asentoon ja suorita käynnistysvaiheet uudelleen.

1. Käytä aina oikeanlaista polttoaineseosta.
2. Paina polttoainepumppua 10 kertaa. (Kuva 24)
3. Siirrä rikastinvipu täyden rikastuksen (suljettuun) FULL CHOKE -asentoon. (Kuva 25)
4. Käännä portaaton nopeuden säädin kokonaan vastapäivään. (Kuva 26)
5. Paina laitteen runkoa maata vasten vasemmalla kädellä.
6. Vedä käynnistysnarun kahvasta, kunnes moottori yrittää käynnistyä. Älä vedä enempiä kuin kolme kertaa.
7. Siirrä rikastinvipu puoliväliasentoon ja vedä käynnistysnarun kahvasta, kunnes moottori käynnistyy ja käy tasaisesti. (Kuva 27)
8. Anna moottorin käydä noin 10 sekunnin ajan.
9. Pidä turvaliipaisin ala-asennossa kaikkien seuraavien vaiheiden ajan.
10. Siirrä rikastin asentoon OFF CHOKE (auki). (Kuva 28)
11. Anna moottorin lämmetä 1 minuutin ajan.

### Lämpimän moottorin käynnistyksen

1. Paina ja pidä turvaliipaisin alhaalla.
2. Siirrä rikastinvipu puoliväliasentoon.
3. Vedä käynnistysnarun kahvasta nopeasti samalla kun vedät turvaliipaisinta, kunnes moottori käy tasaisesti.
4. Siirrä rikastin asentoon OFF CHOKE (auki).

### Moottorin sammuttaminen

- Paina ja vapauta moottorin STOP-pysäytyskytkin. Kytkin palaa automaattisesti asentoon ON. Odota 7 sekuntia ennen kuin käynnistät laitteen uudelleen, jotta kytkin ehtii palautua.

## Suuttimen käyttö

- Käytä vakiosuutinta, kun tarvitset tarkkuutta ja korkeaa ilmavirran konsentraatiota. (Kuva 29)
- Käytä suurinopeuksista suutinta, kun tarvitset leveämpää ja nopeampaa ilmavirtausta. (Kuva 30)

## Puhaltimen suuttimen asentaminen

1. Vapauta pikaliitin kiertämällä suutinta vasemmalle.
2. Siirrä suutin sopivaan asentoon.
3. Kierrä suutinta oikealle, kunnes se napsahtaa paikalleen.

## Imurin käyttö

Ennen kuin aloitat imurin käytön, peukeudu suojaruusteisiin.



**VAROITUS:** Varmista, että keruusäiliö ei ole vaurioitunut, ja että vetoketju on kiinni. Älä käytä varioitunutta säiliötä. Näin estät loukkaantumisia, jotka voivat aiheutua sinkoutuvista roskista. Laitteen käyttö vasemmalla kädellä lisää loukkaantumisvaaraa. Kehosi ei saa osua pakokaasun poistoaukkoon.



**VAROITUS:** Älä käynnistä puhallinta, jos imuaukon suojus on auki tai vaurioitunut (paitsi jos imuputki on kiinnitetty).



**VAROITUS:** Lue ja sisäistä turvallisuutta käsittelevä luku ennen laitteen puhdistamista, korjaamista tai huoltamista.

## Huoltokaavio

Muista noudattaa huoltokaaviota. Välit on laskettu laitteen päivittäisen käytön perusteella. Ne ovat erilaiset, jos et käytä laitetta joka päivä. Tee vain tästä käyttöohjekirjasta löytyvät huoltotyöt. Ota yhteyttä valtuutettuun huoltopisteeseen muiden, tästä käyttöohjekirjasta puuttuvien huoltotöiden osalta.

### Päivittävät toimenpiteet

- Puhdista ulkopinnat.
- Tarkista nopeussäätimen ja turvaliipaisimen toiminta. Vaihda vaurioituneet osat.
- Tarkista pysäytyskytkin. Vaihda se tarvittaessa.
- Tarkista joutokäyntinopeus.
- Puhdista ilmansuodatin. Vaihda se tarvittaessa.
- Varmista, että imuaukon suojuksen voi lukita suljetussa asennossa. Varmista, että puhallinpyörä on puhdas.
- Kiristä kaikki mutterit ja ruuvit.
- Varmista, että koteloissa ei ole halkeamia.

- Puhallinta käytettäessä keruusäiliötä on kannettava olkahihnassa. Kanna olkahihnaa aina olkapäällä.
- Käynnistä puhallin. Noudata käynnistystä ja sammutusta koskevassa osassa olevia ohjeita *Käynnistys ja sammutus sivulla 109*. Lue turvaohjeet *Turvallisuus sivulla 105*.

## Keruusäiliön tyhjentäminen



**VAROITUS:** Muista aina tarkistaa keruusäiliö. Varmista, että keruusäiliö ei ole vaurioitunut, ja että vetoketju on kiinni. Älä käytä vaurioitunutta säiliötä. Sinkoutuvat roskat aiheuttavat loukkaantumisvaaran. Ole erityisen varovainen, jos käytät laitetta vasemmalla kädellä. Älä koske pakokaasun poistoaukkoon.

1. Pysäytä laite.
2. Avaa sivulla oleva vetoketju.
3. Tyhjennä keruusäiliö.
4. Sulje vetoketju.

## Huolto

- Varmista, että keruusäiliö ei ole vaurioitunut, ja että vetoketju on kiinni. Vaihda säiliö tarvittaessa.

### Viikoittaiset toimenpiteet

- Tarkista käynnistyslaitteen kunto, käynnistyshihna ja säätöjousi. Vaihda vaurioituneet osat.
- Tarkista käynnistyslaitteen ilmanottoaukon kunto. Poista ilmanottoaukon mahdollinen tukos.
- Puhdista sytytystulpan ulkopuoli. Irrota tulppa ja tarkista kärkiväli. Säädä kärkiväliksi 6 mm tai vaihda sytytystulppa.
- Puhdista puhallinpyörän tuulettimen siivet.
- Puhdista ja vaihda kipinäverkko tarvittaessa (ei koske katalysaattorilla varustettuja äänenvaimentimia).
- Tarkista kaasuttimen alue.
- Puhdista ilmansuodatin.

### Kuukausittaiset toimenpiteet

- Tarkista käynnistysnarun kahva ja käynnistysnarun.
- Puhdista polttoainesäiliö.
- Puhdista kaasutin ja sen ympäristö.
- Puhdista puhallinpyörän tuulettimen siivet.
- Tarkista polttoainelinjoista mahdolliset murtumat tai muut vauriot. Vaihda tarvittaessa

- Vaihda polttoainesäiliön polttoainesuodatin.
- Tarkista kaikki kaapelit ja liitännät.
- Vaihda sytytystulppa.
- Vaihda ilmansuodatin.

#### Vuosihuolto

- Tarkista sytytystulppa.
- Puhdista kaasuttimen ulkopinta ja ympäristö.
- Puhdista jäähdytysjärjestelmä.
- Tarkista kipinäverkko.
- Tarkista polttoainesuodatin.
- Tarkista polttoaineletku vaurioiden varalta.
- Tarkista kaikki kaapelit ja liitännät.

#### 50 tunnin huolto

- Anna valtuutetun huoltopisteen korjata tai vaihtaa äänenvaimennin.

### Joutokäyntinopeuden säätö

- Varmista, että ilmansuodatin on puhdas ja ilmansuodattimen kansi kiinnitetty, ennen kuin säädät joutokäyntinopeutta.
- Säädä joutokäyntinopeus joutokäyntiruuvilla, joka on merkitty T-kirjaimella.
- Joutokäyntinopeus on oikea, kun moottori käy tasaisesti kaikilla asennoilla.

(Kuva 31)

1. Lisää joutokäyntinopeutta kääntämällä säätöruuvia myötäpäivään.
2. Laske joutokäyntinopeutta kääntämällä säätöruuvia vastapäivään.

### Kipinäverkon kunnossapito

Puhdista kipinäverkko teräsharjalla.

### Jäähdytysjärjestelmän puhdistus

(Kuva 32)

Puhdista jäähdytysjärjestelmän osat harjalla.

### Sytytystulpan tarkistus



**HUOMAUTUS:** Käytä aina suositeltua sytytystulppaa. Väärä sytytystulpan tyyppi voi aiheuttaa laitteen vaurioitumisen.

- Tarkista sytytystulppa, jos moottorin teho on heikko, moottoria on vaikea saada käyntiin tai se ei toimi oikein joutokäyntinopeudella.
- Ehkäise ylimääräisen materiaalin joutuminen sytytystulpan elektrodeihin noudattamalla seuraavia ohjeita:
  - a) Varmista, että joutokäyntinopeus on säädetty oikein.
  - b) Varmista, että polttoaineseos on oikea.
  - c) Varmista, että ilmansuodatin on puhdas.
- Jos sytytystulppa on karstoittunut, puhdista se ja tarkista samalla, että kärkiväli on oikea, katso *Tekniset tiedot sivulla 111.* (Kuva 33)
- Vaihda sytytystulppa tarvittaessa.

### Ilmansuodattimen kunnossapito

#### Ilmansuodattimen puhdistaminen

1. Irrota ilmansuodattimen kansi ja ilmansuodatin. (Kuva 34)
2. Pese ilmansuodatin lämpimällä saippuavedellä. Varmista ennen asentamista, että ilmansuodatin on kuiva.
3. Vaihda ilmansuodatin, jos se on liian likainen, eikä sitä saa täysin puhtaaksi. Vaurioitunut ilmansuodatin on aina vaihdettava.
4. Jos laitteessa on vaahtokumi-ilmansuodatin, levitä ilmansuodatinöljyä. Levitä ilmansuodatinöljyä vain vaahtokumisuoletttimeen. Älä levitä öljyä huopasuodattimeen.

## Tekniset tiedot

	Yksikö	125B (125B28HV)	125BX (125B28HV)	125BVX (125B28HV)
<b>Moottorin tiedot</b>				
Sylinteritilavuus	cm <sup>3</sup>	28	28	28
Kärkiväli	mm	0,6	0,6	0,6
Polttoainesäiliön tilavuus	cm <sup>3</sup>	500	500	500
Joutokäyntinopeus	min <sup>-1</sup>	2 800–3 200	2 800–3 200	2 800–3 200
Moottorin enimmäiskäyntinopeus	min <sup>-1</sup>	8 000	8 000	8 000

Maksimiteho	kW	0,8	0,8	0,8
Sytytystulppa		Champion RCJ-6Y	Champion RCJ-6Y	Champion RCJ-6Y
Puhallinkäytön enimmäisnopeus	min <sup>-1</sup>	8 600	8600	8 600
Imukäytön enimmäisnopeus	min <sup>-1</sup>	--	7500	7500
Päästöjen kestoajakso	h	125	125	125
<b>Ääni- ja värinäätiedot</b>				
Vastaava värinäätaso kahvoissa, varusteena puhallusputki ja suutin (alkuperäiset) – katso huomautus 1	m/s <sup>2</sup>	11,03	11,03	11,03
Vastaava värinäätaso kahvoissa, varusteena imuputki (alkuperäinen), vasen/oikea – katso huomautus 1	m/s <sup>2</sup>	--/--	12,16/12,29	12,16/12,29
Vastaava äänenpainetaso käyttäjän korvan tasalla mitattuna standardin ISO 22868 mukaan, varusteena puhallusputki ja suutin (alkuperäiset) – katso huomautus 3	dB(A)	96	96	96
Äänenpainetaso sivullisen korvan tasalla mitattuna standardin ANSI B175.2 mukaan, varusteena puhallusputki ja suutin (alkuperäiset)	dB(A)	71	71	71
Äänitehotaso, mitattu – ks. huomautus 2	dB(A)	109	109	109
Äänitehotaso, taattu (L <sub>WA</sub> ) – ks. huomautus 2	dB(A)	112	112	112
<b>Tuotteen mitat</b>				
Paino (tyhjällä tankilla, mutta puhallusputkella ja vakiosuuttimella varustettuna)	kg	4,3	4,4	4,4
<b>Huom. 1:</b> Ilmoitetuilla tiedoilla vastaavasta värinäätasosta tyypillinen tilastollinen hajonta (vakiopoikkeama) on 1 m/s <sup>2</sup> .				
<b>Huom. 2:</b> Melupäästöt ympäristöön äänentehona (L <sub>WA</sub> ) EY-direktiivin 2000/14/EY mukaisesti mitattuna. Koneen ilmoitettu äänen tehotaso on mitattu käyttäen alkuperäistä lisälaitetta, joka antaa suurimman äänen tehotason. Taatun ja mitatun äänitehon erona on se, että taattu ääniteho sisältää myös mitatun tuloksen hajonnan ja vaihtelun saman mallin eri koneiden välillä direktiivin 2000/14/EY mukaisesti.				
<b>Huomautus 3:</b> Ilmoitetuilla tiedoilla vastaavasta koneen äänenpainetasosta tyypillinen tilastollinen hajonta (vakio-poikkeama) on 1 dB(A).				

Puhallin	Yksikkö	125B	125BX	125BVX
Tyyppi		Radiaalipuhallin	Radiaalipuhallin	Radiaalipuhallin
Enimmäisilmannopeus, vakiosuutin	km/h	217	217	217
Enimmäisilmannopeus, suurinopeuk-sinen suutin	km/h	273	273	273
Ilmamäärä puhalluskäytössä	cfm	425	425	425
Imurikäytön ilmamäärä	cfm	--	445	445
* joidenkin mallien lisävarusteet				



## Lisävarusteet

125B, 125BX, 125BVX	
<b>Hyväksytyt lisävarusteet</b>	<b>Tyyppi</b>
Räystääänpuhdistussarja	952 711 918
125BX, 125BX	
<b>Hyväksytyt lisävarusteet</b>	<b>Tyyppi</b>
Imusarja	952 711 913
125B	
<b>Hyväksytyt lisävarusteet</b>	<b>Tyyppi</b>
Suurinopeuksinen suutin	545 119 501

## EU:n vaatimustenmukaisuusvakuutus

Husqvarna AB, SE 561 82 Huskvarna, SWEDEN,  
vakuuttaa täten, että oheinen tuote:

<b>Kuvaus</b>	<b>Gasoline Blower/ Blower-Vacuum</b>
Tuotemerkki	Husqvarna
Alusta / Tyyppi / Malli	Alusta125B28HV, edustaa mallia 125B, 125BX, 125BVX
Erä	Sarjanumero alkaen 2019

Intertek on suorittanut Husqvarna AB:lle vapaaehtoisen tyyppitarkastuksen ja tuottanut näin Euroopan parlamentin ja neuvoston konedirektiivin 2006/42/EC mukaisen sertifiikaatin.

Allekirjoitetussa EY:n vaatimustenmukaisuusvakuutuksessa ilmoitettu sertifiikaatti pätee kaikkiin valmistuspaikkoihin ja -maihin tuotteessa ilmoitettujen tietojen mukaisesti.

Oheinen Gasoline Blower/ Blower-Vacuum on tarkistetun mallikappaleen mukainen.

vastaa täysin seuraavien EU:n direktiivien ja asetusten vaatimuksia:

<b>Direktiivi/asetus</b>	<b>Kuvaus</b>
2006/42/EC	Konedirektiivi
2014/30/EC	EMC-direktiivi
2000/14/EC	Melupäästödirektiivi
2011/65/EU	Tiettyjen vaarallisten aineiden käytön rajoittamisesta annettu direktiivi

Asiassa sovelletaan seuraavia yhdenmukaistettuja standardeja ja/tai teknisiä määräyksiä: EN ISO 12100, EN ISO 1186-1, CISPR 12, ISO 14982, EN 50581

Ilmoitetut meluarvot on annettu direktiivin 2000/14/EC liitteen V mukaisesti tämän käyttöohjekirjan teknisissä tiedoissa sekä allekirjoitetussa EY:n vaatimustenmukaisuusvakuutuksessa.

---

# Sommaire

---

Introduction.....	114	Entretien.....	121
Sécurité.....	115	Caractéristiques techniques.....	122
Montage.....	118	Accessoires.....	124
Utilisation.....	119	Contenu de la déclaration de conformité CE.....	124

---

## Introduction

---

### Manuel de l'opérateur

La langue d'origine du présent manuel d'utilisation est l'anglais. Les manuels d'utilisation disponibles dans d'autres langues sont des traductions de l'anglais.

(Fig. 1)

1. Bretelle de portage (125BVX)
2. Gâchette d'accélération
3. Interrupteur d'arrêt
4. Régulation du régime
5. Logement de ventilateur
6. Bouchon du réservoir d'essence
7. Filtre à air
8. Starter
9. Pompe à carburant
10. Volet d'arrivée d'air
11. Poignée de l'aspirateur (125BX et 125BVX)
12. Lames (125BX et 125BVX)
13. Turbine de ventilateur
14. Buse standard
15. Buse haute vitesse (125BX et 125BVX)
16. Tube du souffleur
17. Boulon de fixation du tube
18. Ecrous de fixation du tube
19. Silencieux
20. Fil de mise à la terre
21. Poignée de lanceur
22. Démarreur
23. Vis de réglage du carburateur
24. Manuel de l'opérateur
25. Dispositif d'aspiration composé des composants de ramassage 26 à 30 ci-dessous
26. Tube du sac de ramassage
27. Sac de ramassage
28. Tube d'aspiration en deux parties
29. Vis
30. Bretelle de portage

### Symboles concernant le produit

(Fig. 2) Avertissement

(Fig. 3) Veuillez prendre connaissance de ce manuel

### Aperçu

(Fig. 4) Utilisez des protège-oreilles homologués

(Fig. 4) Utilisez des protections pour les yeux homologués

(Fig. 4) Utilisez un masque anti-poussière homologué

(Fig. 5) Utilisez des gants de protection homologués

(Fig. 6) Le produit peut entraîner la projection d'objets, ce qui peut causer des lésions oculaires

(Fig. 7) Distance de sécurité

(Fig. 8) Ne vous approchez pas trop près de la turbine lorsqu'elle est en rotation

(Fig. 9) Mettez le produit hors de portée des enfants

(Fig. 10) Niveau de puissance sonore

(Fig. 11) Niveau sonore

(Fig. 12) Assurez-vous que les cheveux longs sont attachés au-dessus des épaules

(Fig. 13) Le produit est conforme aux directives CE en vigueur

(Fig. 14) Le produit est conforme aux directives EAC en vigueur

(Fig. 15) Le produit est conforme aux directives en vigueur en Ukraine

---

**Remarque:** Les autres symboles/autocollants présents sur le produit concernent des exigences de certification spécifiques à d'autres zones commerciales.

---

### Émissions Euro V

---



**AVERTISSEMENT:** toute altération du moteur a pour effet d'annuler l'homologation de type UE de ce produit.

---

## Responsabilité

Conformément à la loi sur la responsabilité du fait des produits, nous déclinons toute responsabilité pour tout dommage causé par notre produit si :

- le produit n'est pas correctement réparé ;
- le produit est réparé avec des pièces qui ne proviennent pas du fabricant ou qui ne sont pas homologuées par le fabricant ;

- le produit est équipé d'un accessoire qui ne provient pas du fabricant ou qui n'est pas homologué par le fabricant ;
- le produit n'est pas réparé par un centre d'entretien agréé ou par une autorité homologuée.

---

## Sécurité

---

### Définitions de sécurité

Les définitions ci-dessous indiquent le niveau de gravité pour chaque mention d'avertissement.



**AVERTISSEMENT:** Blessures aux personnes.



**REMARQUE:** Dommages au produit.

**Remarque:** Cette information facilite l'utilisation du produit.

### Instructions générales de sécurité



**AVERTISSEMENT:** Lisez les instructions qui suivent avant d'utiliser le produit.

- Utilisez le produit correctement. Une utilisation inappropriée peut causer des blessures graves, voire mortelles. Utilisez uniquement le produit pour les tâches décrites dans le présent manuel. N'utilisez pas ce produit pour d'autres travaux.
- Respectez les instructions de ce manuel. Respectez les symboles et les instructions de sécurité. Le non-respect des instructions et des symboles par l'opérateur peut causer des blessures graves, voire mortelles, ou des dommages.
- Ne jetez pas ce manuel. Utilisez les instructions pour assembler, utiliser et conserver votre produit en bon état. Utilisez les instructions pour l'installation appropriée des équipements et accessoires. Utilisez uniquement des équipements et accessoires homologués.
- N'utilisez pas de produit endommagé. Respectez le schéma d'entretien. Effectuez uniquement les travaux d'entretien dont les instructions sont comprises dans ce manuel. Tous les autres travaux d'entretien doivent être effectués par un centre d'entretien agréé.
- Ce manuel ne peut pas inclure toutes les situations qui peuvent se produire lorsque vous utilisez le produit. Soyez prudent et utilisez votre bon sens. N'utilisez pas ou n'effectuez pas de travaux d'entretien sur le produit si vous n'êtes pas sûr de la situation. Contactez un spécialiste du produit, votre revendeur, votre agent d'entretien ou centre d'entretien agréé pour plus d'informations.
- Déconnectez la bougie avant d'assembler, de stocker ou d'effectuer l'entretien du produit.
- N'utilisez pas le produit si ses caractéristiques initiales ont été changées. Ne remplacez pas une pièce du produit sans l'approbation du fabricant. Utilisez uniquement des pièces approuvées par le fabricant. Un entretien inapproprié peut causer des blessures graves, voire mortelles.
- Ne respirez pas les fumées provenant du moteur. À long terme, l'inhalation de gaz d'échappement dégagés par le moteur constitue un risque pour la santé.
- Ne démarrez pas le produit dans un local clos ou à proximité de matériaux inflammables. Les gaz d'échappement sont très chauds et peuvent contenir une étincelle pouvant provoquer un incendie. Un débit d'air insuffisant peut causer des blessures graves, voire mortelles dues à une asphyxie ou au monoxyde de carbone.
- Lorsque vous utilisez ce produit, le moteur crée un champ électromagnétique. Le champ électromagnétique peut endommager les implants médicaux. Consultez votre médecin et le fabricant de votre implant avant d'utiliser ce produit.
- Ne laissez pas un enfant utiliser le produit. Ne laissez personne utiliser la machine sans en connaître les instructions d'utilisation.
- Assurez-vous de toujours surveiller une personne aux capacités physiques ou mentales réduites qui utilise le produit. Un adulte responsable doit être présent à tout moment.
- Stockez le produit dans une zone dont l'accès est fermé aux enfants et aux personnes non autorisées.
- Le produit peut projeter des objets et causer des blessures. Respectez les consignes de sécurité afin de réduire le risque de blessures graves ou mortelles.
- Ne vous éloignez pas du produit lorsque le moteur est allumé.
- L'opérateur du produit est tenu responsable en cas d'accident.

- Assurez-vous que les pièces ne soient pas endommagées avant d'utiliser le produit.
- Assurez-vous de maintenir une distance minimum de 15 m (50 ft) entre vous et les autres personnes ou animaux avant d'utiliser le produit. Assurez-vous que les personnes présentes dans une zone adjacente sachent que vous allez utiliser le produit.
- Référez-vous aux lois nationales ou locales. Elles peuvent empêcher ou limiter le fonctionnement du produit dans certaines conditions.
- N'utilisez pas le produit si vous êtes fatigué ou sous l'emprise d'alcool, de drogues ou de médicaments. Ces facteurs sont susceptibles d'affecter votre vue, votre vigilance, votre coordination ou votre jugement.

## Précautions relatives aux vibrations

Ce produit est destiné à une utilisation occasionnelle uniquement. L'utilisation quotidienne ou régulière du produit peut provoquer le syndrome des « doigts blancs » ou entraîner des problèmes médicaux équivalents causés par les vibrations. Examinez l'état de vos mains et de vos doigts si vous utilisez le produit quotidiennement ou régulièrement. Si vos mains ou vos doigts présentent une décoloration, sont douloureux ou engourdis, arrêtez de travailler et contactez immédiatement un médecin.

## Consignes de sécurité pour l'utilisation du souffleur

- Utilisez le produit dans le seul but de souffler ou d'aspirer les feuilles et tout autre débris de petite taille se trouvant au sol.
- N'utilisez jamais l'appareil si vous êtes fatigué ou malade, ou si vous avez consommé de l'alcool, de la drogue ou des médicaments.
- Assurez-vous que toute personne ou tout animal à proximité se trouve à un minimum de 15 m (50 pi) de l'utilisateur.
- Le produit peut projeter des objets à grande vitesse qui peuvent ricocher et heurter l'utilisateur, et causer des lésions oculaires.
- Ne dirigez pas la buse du souffleur vers des personnes ou des animaux.
- Assurez-vous que les cheveux longs sont attachés au-dessus des épaules.
- Arrêtez le moteur avant d'installer ou de retirer les accessoires ou d'autres composants.
- N'utilisez pas le produit lorsque la protection n'est pas installée.
- N'utilisez pas le produit si des personnes sont présentes dans la zone de travail. Arrêtez le produit si une personne pénètre dans la zone de travail.
- N'utilisez pas le produit dans des espaces confinés. Une ventilation insuffisante peut causer des blessures graves, voire mortelles dues à une asphyxie ou au monoxyde de carbone.
- Le silencieux devient très chaud pendant le fonctionnement du produit et également après l'arrêt

de ce dernier ou lorsqu'il tourne au régime de ralenti. Faites de preuve de prudence à proximité de matériaux et émanations inflammables.

- Ne touchez pas le capot de prise d'air. Maintenez les bijoux et les vêtements larges éloignés de la prise d'air.
- Conservez en permanence une position stable, et utilisez le produit uniquement sur des terrains sûrs et plats. Les surfaces glissantes ou instables, telles que les échelles, peuvent entraîner une perte d'équilibre ou de contrôle.
- N'utilisez pas le produit en hauteur, comme sur un toit.
- Sécurisez le produit pendant le transport.
- Respectez les restrictions d'horaires en matière de bruit. Vous devez toujours respecter les réglementations locales. Les recommandations habituelles sont de 9 h 00 à 17 h 00, du lundi au samedi.
- Utilisez le produit au régime le plus faible possible vous permettant de faire vos travaux.
- Assurez-vous que vous ne pouvez pas tomber lorsque vous utilisez le produit. Ne vous inclinez pas lorsque vous utilisez le produit.
- Assurez-vous que le produit est en bon état avant de l'utiliser, en particulier le silencieux, la prise d'air et le filtre à air.
- Utilisez un râteau ou un balai pour décoller les débris au sol avant d'utiliser le produit.
- Si la zone de travail est sale, arrosez-la à l'aide d'un tuyau.
- Utilisez le produit comme une alternative à un nettoyage à l'eau.
- Soufflez les débris en toute sécurité. Surveillez la présence d'enfants, d'animaux, et faites attention aux fenêtres ou aux véhicules ouverts.
- Ne dirigez pas le produit en direction de plantes fragiles.
- Ne soufflez pas en direction d'objets tels que les murs, les grosses pierres, les véhicules et les clôtures.
- Si vous travaillez à l'intérieur d'un angle, assurez-vous de souffler en direction du centre de la zone de travail. Dans le cas contraire, les débris pourraient heurter votre visage et vos yeux et provoquer des lésions oculaires.
- Utilisez l'extension complète de la buse afin de maintenir le flux d'air près du sol.
- Il est nécessaire que les personnes aux alentours portent des protections pour les yeux.
- Après l'utilisation du produit, mettez les déchets au rebut dans les conteneurs appropriés.

## Consignes de sécurité pour l'utilisation de l'aspirateur

- Évitez d'endommager le ventilateur. N'aspirez pas d'objets solides de grande taille tels que le bois, les bidons, le paillis de caoutchouc ou les longs fils.

- Ne laissez pas le tube d'aspiration tomber au sol.
- Arrêtez le moteur et retirez le capuchon de la bougie avant d'éliminer les obstructions.

## Équipement de protection individuelle

- Utilisez toujours un équipement de protection individuel approprié lorsque vous faites fonctionner le produit. L'équipement de protection individuel n'empêche pas le risque de blessures. L'équipement de protection individuel diminue la gravité des blessures en cas d'accident.
- Utilisez toujours des protections pour les yeux homologuées pendant que vous faites fonctionner le produit.
- N'utilisez pas le produit pieds nus ou avec des chaussures ouvertes. Utilisez toujours des bottes antidérapantes robustes.
- Utilisez des pantalons longs et épais.
- Si nécessaire, utilisez des gants de protection homologués.
- Utilisez un casque s'il est possible que des objets tombent sur votre tête.
- Utilisez toujours des protections auditives homologuées lorsque vous faites fonctionner le produit. Une exposition au bruit sur de longues périodes peut provoquer une perte d'audition.
- Utilisez toujours un masque anti-poussière homologué lorsque vous utilisez le produit dans des environnements poussiéreux.
- Assurez-vous de disposer d'une trousse de premiers soins à proximité.

## Dispositifs de protection sur le produit

- Assurez-vous de régulièrement entretenir le produit.
  - La durée de vie du produit augmente.
  - Le risque d'accident diminue.

Laissez un revendeur ou un centre d'entretien agréé régulièrement examiner le produit pour effectuer des réglages ou des réparations.

- N'utilisez pas un produit dont les équipements de protection sont endommagés. Si le produit est endommagé, contactez un centre d'entretien agréé.

## Bouton d'arrêt

Démarrez le moteur. Assurez-vous que le moteur s'arrête lorsque vous mettez le bouton d'arrêt en position stop. (Fig. 16)

## Silencieux



**AVERTISSEMENT:** Ne touchez pas le silencieux s'il est chaud. Le silencieux devient très chaud lorsque le moteur tourne et après son arrêt. Toucher le silencieux dans ces conditions peut provoquer des brûlures.

- N'utilisez pas un moteur dont le silencieux est endommagé. Un silencieux endommagé augmente le niveau sonore et le risque d'incendie. Gardez un extincteur à proximité.
- Vérifiez régulièrement que le silencieux est bien fixé sur le produit.
- Ne touchez pas le moteur ni le silencieux quand le moteur est allumé. Ne touchez pas le moteur ni le silencieux peu après l'arrêt du moteur. Les surfaces chaudes peuvent causer des blessures.
- La chaleur du silencieux peut provoquer un incendie. Soyez prudent si vous utilisez le produit à proximité de liquides inflammables ou de fumées.
- Ne touchez pas les pièces à l'intérieur du silencieux si celui-ci est endommagé. Les pièces peuvent contenir certains produits chimiques cancérigènes.
- Certains modèles de souffleur possèdent un écran pare-étincelles. Nettoyez et remplacez l'écran aux intervalles spécifiés. Consultez la section consacrée à l'entretien (*Entretien à la page 121*).

(Fig. 17)

## Sécurité carburant

- Ne démarrez pas le produit si du carburant ou de l'huile moteur a été renversé(e) sur le produit. Essayez le carburant/l'huile et attendez que le produit sèche. Essayez le carburant déversé sur le produit.
- Si vous avez renversé du carburant sur vos vêtements, changez de vêtements immédiatement.
- Évitez tout contact de la peau avec le carburant. Le carburant peut causer des blessures. Si votre peau entre en contact avec le carburant, lavez les parties qui ont été en contact avec de l'eau et du savon.
- Ne démarrez pas le moteur si vous avez renversé de l'huile ou du carburant sur le produit ou sur vous.
- Ne démarrez pas le produit s'il y a une fuite de moteur. Vérifiez régulièrement s'il y a des fuites de moteur.
- Faites attention avec le carburant. Le carburant est inflammable et ses vapeurs sont explosives. Il peut causer des blessures graves, voire mortelles.
- Ne respirez pas les vapeurs de carburant, elles peuvent causer des blessures. Assurez-vous que la ventilation est suffisante.
- Ne fumez pas à proximité du carburant ou du moteur.
- Ne mettez pas d'objets chauds à proximité du carburant ou du moteur.
- N'ajoutez pas de carburant lorsque le moteur est allumé.
- Assurez-vous que le moteur est froid avant de faire le plein de carburant.
- Avant de faire le plein, ouvrez le bouchon du réservoir de carburant lentement et relâchez la pression avec précaution.
- N'ajoutez pas de carburant au moteur dans un espace intérieur. Un débit d'air insuffisant peut

causer des blessures graves, voire mortelles dues à une asphyxie ou au monoxyde de carbone.

- Serrez le bouton du réservoir de carburant avec précaution afin d'éviter tout risque d'incendie.
- Déplacez le produit à un minimum de 3 m (10 ft) de l'endroit où a été fait le plein de carburant avant de démarrer le produit.
- Ne remplissez pas trop le réservoir de carburant.
- Assurez-vous qu'aucune fuite ne peut se produire lorsque vous déplacez le produit ou le bidon de carburant.
- Ne placez pas le produit ni le bidon de carburant dans un espace où il y a une flamme nue, des étincelles ou une veilleuse d'allumage. Assurez-vous qu'il n'y a pas de flamme nue dans le lieu de stockage.
- Utilisez uniquement des récipients homologués pour le transport et le stockage de carburant.
- Avant de remiser le produit pour une période prolongée, videz le réservoir de carburant.

Respectez la législation locale sur les lieux d'élimination du carburant.

- Nettoyez le produit avant de le remiser pour une période prolongée.
- Retirez la bougie avant de remiser le produit afin de s'assurer que le moteur ne démarre pas par inadvertance.

## Consignes de sécurité pour l'entretien



**AVERTISSEMENT:** Un mauvais entretien peut endommager le moteur ou provoquer des blessures graves.

Il incombe au propriétaire de l'appareil d'assurer son entretien conformément aux indications figurant dans le manuel d'utilisation. Débranchez la bougie avant d'entreprendre une quelconque opération d'entretien. Ne retirez pas la bougie avant de procéder aux réglages du carburateur.

## Montage



**AVERTISSEMENT:** Lisez le chapitre dédié à la sécurité avant de monter le produit.

### Installation de la buse et du tube du souffleur sur le produit

**Remarque:** Le boulon doit être suffisamment desserré pour pouvoir placer le tube du souffleur sur la sortie du souffleur. Tournez le boulon dans le sens contraire des aiguilles d'une montre à l'aide d'un tournevis pour le desserrer.

1. Alignez la nervure du tube du souffleur supérieur sur la rainure de la sortie d'air du souffleur. Mettez le tube en place.
2. Tournez le boulon dans le sens des aiguilles d'une montre à l'aide d'un tournevis pour fixer le tube.

**Remarque:** N'utilisez pas d'outil sur l'écrou.

3. Alignez les fentes du tube du souffleur inférieur sur les languettes du tube du souffleur supérieur. Enfoncez le tube du souffleur inférieur sur le tube du souffleur supérieur.
4. Tournez le tube du souffleur inférieur dans le sens des aiguilles d'une montre jusqu'à entendre un clic.

### Pour installer le sac de ramassage avec différents tubes d'aspiration



**AVERTISSEMENT:** Coupez le moteur avant de fixer les tubes sur le produit.

### Pour poser le sac de ramassage

1. Ouvrez le sac de ramassage.
2. Insérez le tube du sac de ramassage par l'intérieur du sac de façon à ce qu'il s'adapte à l'ouverture d'admission du sac.
3. Assurez-vous que l'élastique repose dans la rainure (A).
4. Refermez la fermeture à glissière du sac. (Fig. 18)

### Pour installer le tube du sac de ramassage

1. Retirez le tube du souffleur, s'il est fixé.
2. Alignez la nervure du tube du sac de ramassage (A) avec la rainure de la sortie du souffleur (B).
3. Poussez complètement le tube du sac de ramassage sur la sortie du souffleur.
4. Insérer l'écrou (C) dans son ouverture.
5. Installez la vis (D) et serrez-la à l'aide d'un tournevis pour fixer le tube. (Fig. 19)

### Pour fixer les tubes d'aspiration ensemble

1. Alignez la flèche du tube d'aspiration inférieur (A) sur la flèche du tube d'aspiration supérieur (B).
2. Enfoncez le tube d'aspiration inférieur dans le tube d'aspiration supérieur.
3. Utilisez un tournevis pour installer la vis autotaraudeuse (C) qui maintient les tubes ensemble. (Fig. 20)

### Pour installer les tubes d'aspiration

1. Insérez la pointe d'un tournevis dans le fermoir de l'arrivée d'air de l'aspirateur.
2. Tournez le tournevis pour libérer le loquet. (Fig. 21)

3. Laissez le capot d'entrée d'air de l'aspirateur ouvert jusqu'à ce que le tube d'aspiration supérieur soit en place.
4. Alignez les nervures à l'intérieur de l'entrée d'air de l'aspirateur sur les fentes du tube d'aspiration supérieur. Assurez-vous que le symbole de verrouillage du tube est aligné sur le symbole de déverrouillage de l'entrée d'air de l'aspirateur. (Fig. 22)
5. Enfoncez complètement le tube d'aspiration supérieur dans l'entrée d'air de l'aspirateur.
6. Tournez le tube d'aspiration supérieur dans le sens des aiguilles d'une montre jusqu'à ce que le symbole de verrouillage du tube soit aligné avec le symbole de verrouillage de l'entrée d'air de l'aspirateur. Le tube émet un clic lorsqu'il est correctement fixé. (Fig. 23)

## Utilisation



**AVERTISSEMENT:** Assurez-vous de lire et de comprendre le chapitre dédié à la sécurité avant d'utiliser le produit.

### Carburant

#### Pour utiliser le carburant



**REMARQUE:** Ce produit est équipé d'un moteur à deux temps. Utilisez un mélange d'essence et d'huile moteur à deux temps. Assurez-vous d'utiliser la quantité correcte d'huile dans le mélange. Un rapport incorrect d'essence et d'huile peut endommager le moteur.

#### Essence



**REMARQUE:** N'utilisez pas d'essence avec un indice d'octane inférieur à 90 RON (87 AKI). Cela peut endommager le produit.



**REMARQUE:** N'utilisez pas d'essence avec une concentration d'éthanol (E10) supérieure à 10 %. Cela peut endommager le produit.



**REMARQUE:** N'utilisez pas d'essence contenant du plomb. Cela peut endommager le produit.

- Utilisez toujours de l'essence sans plomb neuve avec un indice d'octane minimal de 90 RON (87 AKI) et une concentration d'éthanol (E10) inférieure à 10 %.
- Utilisez de l'essence avec un numéro d'octane supérieur si vous utilisez fréquemment le produit à une vitesse du moteur élevée en continu.
- Utilisez toujours un mélange d'essence sans plomb/ huile de bonne qualité.

#### Huile moteur à deux temps

- Utilisez uniquement une huile moteur à deux temps de haute qualité. Utilisez uniquement une huile moteur refroidie par air.

- N'utilisez pas d'autres types d'huile.
- Ratio de mélange 50:1 (2 %)

Essence	Huile
1 U.S. Gal.	77 ml (2,6 oz)
1 UK gal.	95 ml (3,2 oz)
5 l	100 ml (3,4 oz)

#### Pour effectuer le mélange de carburant

**Remarque:** Utilisez toujours un bidon de carburant propre lorsque vous mélangez le carburant.

**Remarque:** Ne préparez pas une quantité de mélange de carburant pour plus de 30 jours.

1. Ajoutez la moitié de la quantité d'essence.
2. Ajoutez la quantité totale d'huile.
3. Agitez le mélange de carburant pour mélanger le contenu.
4. Ajoutez la quantité d'essence restante.
5. Agitez le mélange de carburant pour mélanger le contenu.
6. Remplissez le réservoir de carburant.

#### Pour ajouter du carburant

- Utilisez toujours un bidon d'essence comportant un dispositif d'arrêt de remplissage automatique.
- Si un peu de carburant se déverse sur le bidon, essuyez le carburant et laissez sécher le bidon.
- Assurez-vous que la zone proche du bouchon du réservoir de carburant est propre.
- Agitez le bidon de carburant avant de verser le mélange de carburant dans le réservoir.

#### Pour démarrer et arrêter

##### Avant de faire démarrer le moteur

- Vérifiez que le produit n'a pas de pièce manquante, endommagée, desserrée ou usée.

- Inspectez le sac de ramassage. Assurez-vous que le sac de ramassage est en bon état et que la fermeture à glissière est fermée.
- Vérifiez les écrous, les vis et les boulons.
- Vérifiez le filtre à air.
- Assurez-vous du bon fonctionnement de la gâchette d'accélération.
- Vérifiez que le bouton d'arrêt fonctionne correctement.
- Vérifiez qu'il n'y a pas de fuites de carburant au niveau du produit.

### Pour démarrer un moteur froid



**AVERTISSEMENT:** N'enroulez pas le câble du démarreur autour de votre bras.



**REMARQUE:** Ne posez pas le produit sur votre pied.



**REMARQUE:** Ne tirez pas sur le câble du démarreur jusqu'à sa butée. Ne lâchez pas la poignée du câble du démarreur lorsqu'il est déployé. Cela pourrait endommager le produit.

**Remarque:** Si le moteur s'arrête, fermez la commande de starter et répétez les étapes pour le démarrage.

1. Remplissez le réservoir à carburant avec un mélange de carburant propre.
2. Appuyez 10 fois sur la poire d'amorçage. (Fig. 24)
3. Placez le starter du moteur en position FULL CHOKE (fermé). (Fig. 25)
4. Poussez la commande de vitesse variable totalement dans le sens contraire des aiguilles d'une montre. (Fig. 26)
5. À l'aide de votre main gauche, maintenez la machine au sol.
6. Tirez la poignée du câble du démarreur jusqu'à ce que le moteur se mette à tourner. Ne tirez pas plus de 3 fois.
7. Placez la commande de starter sur la position intermédiaire et tirez la poignée du câble du démarreur jusqu'à ce que le moteur démarre et se mette à tourner. (Fig. 27)
8. Laissez le moteur tourner pendant environ 10 secondes.
9. Appuyez sur la gâchette d'accélération et maintenez-la pendant toutes les étapes à suivre.
10. Amenez la commande du starter sur la position OFF CHOKE (ouvert). (Fig. 28)
11. Laissez le moteur chauffer pendant 1 minute.

### Pour démarrer un moteur chaud

1. Actionnez la gâchette d'accélération et maintenez-la enfoncée.
2. Amenez la commande de starter en position intermédiaire.
3. Tirez la poignée du câble du démarreur rapidement tout en actionnant la gâchette d'accélération jusqu'à ce que le moteur tourne.
4. Amenez la commande du starter sur la position OFF CHOKE (ouvert).

### Pour arrêter le moteur

- Enfoncez et relâchez le bouton ARRÊT du moteur. Le bouton revient automatiquement en position MARCHE. Attendez 7 secondes avant d'essayer de redémarrer le produit pour vous assurer que le bouton revienne en position initiale.

### Utilisation de la buse

- Utilisez la buse standard lorsque vos travaux nécessitent de la précision et une grande concentration du flux d'air. (Fig. 29)
- Utilisez la buse haute vitesse lorsque vous avez besoin d'un flux d'air plus large et plus rapide. (Fig. 30)

### Réglage de la buse du souffleur

1. Tournez la buse vers la gauche pour désengager le système à baïonnette.
2. Positionnez la buse à la position souhaitée.
3. Tournez la buse vers la droite jusqu'à entendre un clic.

### Utilisation de l'aspirateur

Avant d'utiliser l'aspirateur, équipez-vous de l'équipement de sécurité approprié.



**AVERTISSEMENT:** Assurez-vous que le sac de ramassage est en bon état et que la fermeture à glissière est fermée avant de commencer vos travaux. N'utilisez pas le sac s'il est endommagé, vous éviterez ainsi tout risque de blessures causées par les débris projetés. Une utilisation avec la main gauche augmente le risque. Évitez d'entrer en contact avec la sortie d'échappement.



**AVERTISSEMENT:** Ne démarrez pas le souffleur-aspirateur si le capot de prise d'air est ouvert ou endommagé (sauf si le tube d'aspiration est monté).

- Lors du fonctionnement du souffleur, le sac de ramassage doit être soutenu par la bretelle de portage. La bretelle doit être portée sur le sommet de l'épaule.



- Démarrez le souffleur. Respectez les instructions de la section sur le démarrage et l'arrêt *Pour démarrer et arrêter à la page 119*. Lisez les consignes de sécurité *Sécurité à la page 115*.

## Vidage du sac de ramassage



**AVERTISSEMENT:** Inspectez toujours le sac de ramassage. Assurez-vous qu'il est en bon état et que la fermeture à glissière est fermée avant de commencer vos travaux. N'utilisez pas le sac s'il est endommagé. Le cas échéant, vous vous exposeriez à des

risques de blessure en raison des projections de débris. Faites preuve de prudence si vous utilisez le produit de la main gauche. Ne touchez pas la sortie d'échappement.

1. Arrêtez le produit.
2. Ouvrez la fermeture à glissière sur le côté.
3. Videz le sac de ramassage.
4. Fermez la fermeture éclair.

## Entretien



**AVERTISSEMENT:** Assurez-vous de lire et de comprendre le chapitre sur la sécurité avant de nettoyer, de réparer ou de procéder à l'entretien du produit.

- Nettoyez le côté externe de la bougie. Déposez la bougie et vérifiez la distance entre les électrodes. Ajustez la distance de sorte qu'elle soit de 6 mm (0,024 po) ou remplacez la bougie.
- Nettoyez les lames de la turbine.
- Nettoyez l'écran pare-étincelles et remplacez-le si nécessaire (les silencieux avec convertisseur catalytique ne sont pas concernés).
- Nettoyez la zone du carburateur.
- Nettoyez le filtre à air.

## Schéma d'entretien

Assurez-vous de respecter le schéma d'entretien. Les intervalles sont calculés selon une utilisation quotidienne du produit. Les intervalles sont différents si vous n'utilisez pas le produit tous les jours. Effectuez uniquement les travaux d'entretien décrits dans ce manuel. Contactez un centre d'entretien agréé pour effectuer d'autres travaux d'entretien ne figurant pas dans ce manuel.

### Entretien quotidien

- Nettoyez les surfaces externes.
- Vérifiez le fonctionnement de la commande de vitesse et de la gâchette d'accélération. Remplacez les pièces endommagées.
- Examinez l'interrupteur d'arrêt. S'il est défectueux, remplacez-le.
- Vérifiez le régime de ralenti.
- Nettoyez le filtre à air. S'il est défectueux, remplacez-le.
- Assurez-vous que le capot de prise d'air peut être verrouillé en position fermée. Assurez-vous que la turbine est propre.
- Serrez tous les écrous et toutes les vis.
- Assurez-vous que les carters sont exempts de fissures.
- Assurez-vous que le sac de ramassage est en bon état et que la fermeture à glissière fonctionne. Remplacez le sac si nécessaire.

### Entretien hebdomadaire

- Examinez l'état du démarreur, du câble du démarreur et du ressort de tension. Remplacez les pièces endommagées.
- Examinez l'état de la prise d'air au niveau du démarreur. Retirez les débris obstruant la prise d'air, le cas échéant.

### Entretien mensuel

- Vérifiez la poignée du câble du démarreur et le câble du démarreur.
- Nettoyer le réservoir de carburant.
- Nettoyez le carburateur, ainsi que l'espace autour.
- Nettoyez les lames de la turbine.
- Vérifiez que les canalisations de carburant ne sont pas fissurées ou endommagées. Remplacez si nécessaire
- Remplacez le filtre à carburant dans le réservoir.
- Vérifiez tous les câbles et toutes les connexions.
- Remplacement de la bougie
- Remplacez le filtre à air.

### Maintenance annuelle

- Vérifiez la bougie.
- Nettoyez la surface externe du carburateur et les zones adjacentes.
- Nettoyer le système de refroidissement.
- Vérifiez l'écran pare-étincelles.
- Vérifiez le filtre à carburant.
- Vérifiez le tuyau de carburant afin de détecter d'éventuels dommages.
- Vérifiez tous les câbles et toutes les connexions.

### Entretien après 50 heures

- Adressez-vous à un centre d'entretien agréé pour la réparation ou le remplacement du silencieux.

## Pour régler le régime de ralenti

- Assurez-vous que le filtre à air est propre et que le couvercle de filtre à air est fixé avant de régler le régime de ralenti.
- Réglez le régime de ralenti à l'aide de la vis de réglage T identifiée par le repère « T ».
- Le régime de ralenti est correct lorsque le moteur fonctionne sans à-coups dans toutes les positions.

(Fig. 31)

1. Tournez la vis de réglage de ralenti dans le sens des aiguilles d'une montre pour augmenter la vitesse.
2. Tournez la vis de réglage de ralenti dans le sens contraire des aiguilles d'une montre pour réduire la vitesse.

## Pour effectuer l'entretien de l'écran pare-étincelles

Utilisez une brosse métallique pour nettoyer l'écran pare-étincelles.

## Pour nettoyer le circuit de refroidissement

(Fig. 32)

Nettoyez les pièces du circuit de refroidissement avec une brosse.

## Pour vérifier la bougie



**REMARQUE:** Utilisez toujours le type de bougie recommandé. Un type de bougie inadéquat peut endommager le produit.

- Inspectez la bougie si le moteur manque de puissance, n'est pas facile à démarrer ou ne fonctionne pas correctement lorsqu'il tourne au régime de ralenti.
- Afin de réduire le risque de matériaux indésirables présents sur les électrodes de la bougie, procédez comme suit :
  - a) Assurez-vous que le régime de ralenti est correctement réglé.
  - b) Assurez-vous que le mélange de carburant est correct.
  - c) Assurez-vous que le filtre à air est propre.
- Si la bougie est encrassée, nettoyez-la et vérifiez que l'écartement des électrodes est correct ; reportez-vous à la section *Caractéristiques techniques à la page 122*. (Fig. 33)
- Remplacez la bougie si nécessaire.

## Pour entretenir le filtre à air

### Pour nettoyer le filtre à air

1. Retirez le couvercle du filtre à air et le filtre à air. (Fig. 34)
2. Nettoyez le filtre à air avec de l'eau chaude savonneuse. Assurez-vous que le filtre à air est sec avant de l'installer.
3. Remplacez le filtre à air s'il est trop sale pour le nettoyer complètement. Remplacez toujours un filtre à air endommagé.
4. Si votre produit est équipé d'un filtre à air en mousse, appliquez de l'huile pour filtre à air. Appliquez de l'huile pour filtre à air uniquement sur un filtre en mousse. N'appliquez pas d'huile sur un filtre en feutre.

## Caractéristiques techniques

	unité	125B (125B28HV)	125BX (125B28HV)	125BVX (125B28HV)
<b>Caractéristiques du moteur</b>				
Cylindrée	cm <sup>3</sup>	28	28	28
Écartement des électrodes	mm	0,6	0,6	0,6
Capacité du réservoir de carburant	cm <sup>3</sup>	500	500	500
Régime de ralenti	min <sup>-1</sup>	2 800 - 3 200	2 800 - 3 200	2 800 - 3 200
Régime de puissance maximum	min <sup>-1</sup>	8 000	8 000	8 000
Puissance de sortie	kW	0,8	0,8	0,8
Bougie		Champion RCJ-6Y	Champion RCJ-6Y	Champion RCJ-6Y
Vitesse maximale en mode soufflage	min <sup>-1</sup>	8600	8600	8600

Vitesse maximale en mode aspiration	min <sup>-1</sup>	--	7500	7500
Période de durabilité des émissions	h	125	125	125
<b>Données sur le son et les vibrations</b>				
Niveau de vibration équivalent au niveau des poignées, avec tube du souffleur et buse (d'origine) - voir la remarque 1	m/s <sup>2</sup>	11,03	11,03	11,03
Niveau de vibration équivalent au niveau des poignées, avec tubes d'aspiration (d'origine), gauche/droit - voir la remarque 1	m/s <sup>2</sup>	--/--	12,16/12,29	12,16/12,29
Niveau de pression acoustique équivalente au niveau des oreilles de l'utilisateur, mesurée selon la norme ISO 22868, avec tubes du souffleur et buse (d'origine) - voir la remarque 3	dB(A)	96	96	96
Pression acoustique au niveau des oreilles d'une personne à proximité, mesurée selon la norme ANSI B175.2, avec tubes du souffleur et buse (d'origine)	dB(A)	71	71	71
Niveau de puissance sonore mesuré - voir remarque 2	dB(A)	109	109	109
Niveau de puissance sonore garanti (L <sub>WA</sub> ) - voir remarque 2	dB(A)	112	112	112
<b>Dimensions du produit</b>				
Poids (sans carburant, mais avec tube du souffleur et buse standard montés)	kg	4,3	4,4	4,4
<p><b>Remarque 1 :</b> Les données reportées pour le niveau de vibrations équivalent montrent une dispersion statistique type (déviat ion standard) de 1 m/s<sup>2</sup>.</p> <p><b>Remarque 2 :</b> Les émissions sonores de l'environnement sont mesurées en puissance sonore (L<sub>WA</sub>) conformément à la directive CE 2000/14/CE de l'Union européenne. Le niveau de puissance sonore reporté pour la machine a été mesuré avec l'accessoire d'origine qui donne le niveau le plus élevé. Le niveau de puissance sonore garanti diffère du niveau mesuré en cela qu'il prend également en compte la dispersion et les variations d'une machine à l'autre du même modèle, conformément à la directive 2000/14/CE.</p> <p><b>Remarque 3 :</b> Les données reportées pour le niveau de pression sonore équivalent pour la machine montrent une dispersion statistique typique (déviat ion standard) de 1 dB (A).</p>				

Ventilateur	Unité	125B	125BX	125BVX
Type		Ventilateur radial	Ventilateur radial	Ventilateur radial
Vitesse d'air max., buse standard	km/h	217	217	217
Vitesse d'air max., buse haute vitesse*	km/h	273	273	273
Volume d'air en mode soufflage	cfm	425	425	425
Volume d'air en mode aspiration	cfm	--	445	445
*accessoire en option sur certains modèles				

## Accessoires

125B, 125BX, 125BVX	
<b>Accessoires homologués</b>	<b>Type</b>
Kit de nettoyage des gouttières	952 711 918
125BX, 125BX	
<b>Accessoires homologués</b>	<b>Type</b>
Kit d'aspiration	952 711 913
125B	
<b>Accessoires homologués</b>	<b>Type</b>
Buse haute vitesse	545 119 501

## Contenu de la déclaration de conformité CE

Nous soussignés, Husqvarna AB, SE 561 82  
Husqvarna, SWEDEN, déclarons sous notre  
responsabilité exclusive que le produit représenté :

Description	Gasoline Blower/ Blower-Vacuum
Marque	Husqvarna
Plate-forme / Type / Mod-èle	Plate-forme 125B28HV, représentant les modèles 125B, 125BX, 125BVX
Lot	Numéro de série à partir de 2019

est entièrement conforme à la réglementation et aux directives de l'UE suivantes :

Directive/Réglementation	Description
2006/42/EC	« relative aux machines »
2014/30/EC	« relative à la compatibilité électromagnétique »
2000/14/EC	« relative au bruit extérieur »
2011/65/EU	« limitation de l'utilisation de certaines substances dangereuses »

Les normes harmonisées et/ou les spécifications techniques appliquées sont les suivantes : EN ISO

12100, EN ISO 1186-1, CISPR 12, ISO 14982, EN 50581

Conformément à la directive 2000/14/EC, Annexe V, les valeurs déclarées saines sont stipulées dans la section Données techniques de ce manuel et dans la Déclaration de Conformité signée de la CE.

Intertek a procédé à un examen volontaire pour Husqvarna AB et lui a attribué un certificat de conformité à la directive CE du Conseil 2006/42/EC relative aux machines.

Le certificat, comme indiqué dans la Déclaration de Conformité signée de la CE, s'applique à l'ensemble des sites de fabrication et des pays d'origine, comme indiqué sur le produit.

Le Gasoline Blower/ Blower-Vacuum fourni correspond à l'exemplaire soumis à l'examen.

---

## Sadržaj

---

Uvod.....	125	Održavanje.....	131
Sigurnost.....	126	Tehnički podaci.....	132
Sastavljanje.....	128	Dodatna oprema.....	134
Rad.....	129	Sadržaj EZ izjave o sukladnosti.....	134

---

## Uvod

---

### Korisnički priručnik

Prvi jezik u ovom korisničkom priručniku je engleski. Korisnički priručnici na drugim jezicima prijevod su iz engleskog jezika.

(Sl. 1)

1. Naramenica (125BVX)
2. Regulator gasa
3. Prekidač za zaustavljanje
4. Regulacija brzine
5. Kućište ventilatora
6. Čep spremnika za gorivo
7. Filtar zraka
8. Čok
9. Pumpica za gorivo
10. Ulazni poklopac
11. Ručica usisavača (125BX i 125BVX)
12. Rezači (125BX i 125BVX)
13. Rotor ventilatora
14. Standardna mlaznica
15. Mlaznica za visoke brzine (125BX i 125BVX)
16. Cijev puhača
17. Pritezni vijak cijevi
18. Pritezne matice cijevi
19. Prigušivač
20. Žica uzemljenja
21. Ručica za uključivanje
22. Pokretač
23. Vijci za podešavanje rasplinjača
24. Korisnički priručnik
25. Uređaj za usisavanje s komponentama za skupljanje koji se sastoji od stavki 26 – 30 u nastavku
26. Cijev vreće za skupljanje
27. Vreća za skupljanje
28. Cijev usisavača u dva odjeljka
29. Vijak
30. Rameni pojas

### Simboli na proizvodu

(Sl. 2) Upozorenje

(Sl. 3) Pročitajte ovaj priručnik

### Pregled

- (Sl. 4) Upotrebljavajte odobrenu zaštitu sluha
- (Sl. 4) Upotrebljavajte odobrenu zaštitu za oči
- (Sl. 4) Upotrebljavajte odobrenu zaštitnu masku od prašine
- (Sl. 5) Upotrebljavajte odobrene zaštitne rukavice
- (Sl. 6) Proizvod može uzrokovati izbacivanje predmeta koji mogu ozlijediti oči
- (Sl. 7) Sigurna udaljenost
- (Sl. 8) Nemojte se približavati rotoru dok se okreće
- (Sl. 9) Djeci nemojte dopustiti upotrebu proizvoda
- (Sl. 10) Razina buke
- (Sl. 11) Jačina zvuka
- (Sl. 12) Duga kosa obavezno mora biti iznad ramena
- (Sl. 13) Proizvod ispunjava mjerodavne direktive EC
- (Sl. 14) Proizvod ispunjava mjerodavne direktive EAC
- (Sl. 15) Proizvod ispunjava mjerodavne direktive u Ukrajini

---

**Napomena:** Drugi simboli/naljepnice na proizvodu odnose se na zahtjeve za certifikaciju na drugim tržišnim područjima.

---

### Standard za emisije Euro V.

---



**UPOZORENJE:** Petljanjem po motoru gubite pravo na odobrenje EU-a ovog proizvoda.

---

## Pouzdanost proizvoda

Sukladno zakonima o pouzdanosti proizvoda nismo odgovorni za oštećenja uzrokovana našim proizvodima ako je:

- proizvod nepravilno popravljen

- proizvod popravljen dijelovima koje nije proizveo proizvođač ili nemaju odobrenje proizvođača
- proizvod ima dodatnu opremu koje nije proizveo proizvođač ili nemaju odobrenje proizvođača
- proizvod nije popravljen u odobrenom servisnom centru ili kod ovlaštene osobe.

---

## Sigurnost

---

### Sigurnosne definicije

Definicije u nastavku prikazuju razinu ozbiljnosti svake signalne riječi.



**UPOZORENJE:** Ozljede osoba.



**OPREZ:** Oštećenje proizvoda.

**Napomena:** Informacije olakšavaju korištenje proizvoda.

### Opće sigurnosne upute



**UPOZORENJE:** Prije uporabe proizvoda pročitajte upozoravajuće upute u nastavku.

- Proizvod upotrebljavajte ispravno. Nepravilno korištenje može uzrokovati ozljede ili smrt. Proizvod upotrebljavajte samo za zadatke iz ovog priručnika. Proizvod nemojte upotrebljavati za druge zadatke.
- Poštujte upute iz ovog priručnika. Poštujte sigurnosne simbole i sigurnosne upute. Ako operater ne poštuje upute i simbole, može doći do ozljeda, oštećenja ili smrti.
- Čuvajte ovaj priručnik. Koristite se uputama za sastavljanje, korištenje i održavanje proizvoda. Koristite se uputama za pravilnu ugradnju priključaka i dodatne opreme. Upotrebljavajte isključivo odobrene priključke i dodatnu opremu.
- Nemojte upotrebljavati oštećen proizvod. Pridržavajte se rasporeda održavanja. Provodite samo radove održavanja za koje su u priručniku navedene upute. Svi drugi radovi održavanja moraju se provesti u ovlaštenom servisnom centru.
- Priručnik ne može sadržavati sve situacije koje mogu nastati prilikom upotrebe proizvoda. Budite pažljivi i razumni. Nemojte upotrebljavati ili održavati proizvod ako niste sigurni u situaciju. Informacije zatražite od stručnjaka za proizvod, servisera ili odobrenog servisnog centra.
- Prije sastavljanja, pohrane ili održavanja proizvoda odspojite kabel svjećice.
- Nemojte upotrebljavati proizvod ako su mu promijenjene početne specifikacije. Nemojte mijenjati

dio proizvoda bez odobrenja proizvođača. Upotrebljavajte isključivo dijelove s odobrenjem proizvođača. Nepravilno održavanje može uzrokovati ozljede ili smrt.

- Nemojte udisati pare motora. Dugotrajno udisanje ispušnih para motora opasnost je za zdravlje.
- Proizvod nemojte pokretati u zatvorenom prostoru ili u blizini zapaljivog materijala. Ispušne pare su vruće i mogu sadržavati vruće iskre koje mogu uzrokovati požar. Nedovoljan protok zraka može uzrokovati ozljede ili smrt zbog gušenja ili trovanja ugljičnim monoksidom.
- Prilikom korištenja proizvoda motor stvara elektromagnetsko polje. Elektromagnetsko polje može oštetiti medicinske implantate. Prije uporabe proizvoda obratite se liječniku ili proizvođaču medicinskog implantata.
- Djeci nemojte dopustiti korištenje proizvoda. Osobama koje nisu upoznate s uputama nemojte dopustiti upotrebu proizvoda.
- Osobu smanjenih fizičkih ili mentalnih sposobnosti obavezno nadzirite tijekom upotrebe proizvoda. Cijelo vrijeme mora biti prisutna odgovorna odrasla osoba.
- Proizvod zaključajte u prostor u koji je djeci i neovlaštenim osobama onemogućen pristup.
- Proizvod može izbacivati predmete i uzrokovati ozljede. Poštujte sigurnosne upute kako biste smanjili opasnost od ozljede i smrti.
- Nemojte se udaljavati od proizvoda s uključenim motorom.
- Za nezgode je odgovoran korisnik proizvoda.
- Prije upotrebe proizvoda provjerite jesu li njegovi dijelovi neoštećeni.
- Prije korištenja proizvoda provjerite jeste li od drugih osoba ili životinja udaljeni najmanje 15 m (50 stopa). Osobe u neposrednoj okolini morate obavijestiti o namjeri korištenja proizvoda.
- Pogledajte nacionalne ili lokalne zakone. Njima u određenim uvjetima može biti spriječeno ili ograničeno korištenje proizvoda.
- Proizvod nemojte upotrebljavati kada ste izmoreni ili pod utjecajem alkohola, droga ili lijekova. To može negativno utjecati na vaš vid, opreznost, sposobnost rasuđivanja ili koordinaciju.

### Sigurnost od vibracija

Ovaj je proizvod namijenjen samo za povremenu upotrebu. Neprestana ili redovita upotreba proizvoda

može uzrokovati bolest "bijelih prstiju" ili slične medicinske probleme uzrokovane vibracijama. Ako proizvod upotrebljavati prestano ili redovito, pregledavajte stanje ruku i prstiju. Ako na rukama ili prstima dođe do promjene boje te ako osjetite bolove, trnce ili otupljenost, prekinite s radom i odmah se obratite liječniku.

## Sigurnosne upute za uporabu puhača

- Proizvod upotrebljavajte samo za puhanje ili uklanjanje lišća i drugih ostataka na tlu.
- Proizvod nemojte upotrebljavati kada ste umorni, bolesni ili pod utjecajem alkohola, droge ili lijekova.
- Promatrači i životinje ne smiju se približiti korisniku na bliže od 15 m (50').
- Proizvod može izbaciti predmete koji se mogu odbiti i udariti korisnika. To može uzrokovati ozljede očiju.
- Mlaznicu puhača nemojte usmjeravati prema osobama ili životinjama.
- Duga kosa obavezno mora biti iznad ramena.
- Prije postavljanja ili uklanjanja opreme ili drugih komponenti obavezno zaustavite motor.
- Proizvod nemojte upotrebljavati bez štitnika.
- Proizvod nemojte koristiti ako se u radnom području zadržavaju druge osobe. Zaustavite proizvod ako druga osoba pristupi radnom području.
- Proizvod nemojte upotrebljavati u prostoru s nedovoljnim protokom zraka. Nedovoljan protok zraka može uzrokovati ozljede ili smrt zbog gušenja ili trovanja ugljičnim monoksidom.
- Prigušivač je vrlo vruć kada je proizvod uključen, nakon zaustavljanja i pri pogonu u praznom hodu. Budite pažljivi u blizini zapaljivih materijala i para.
- Nemojte dodirivati područje poklopca usisa. Nakit i viseću odjeću držite podalje od područja usisa.
- Uvijek osigurajte dobro uporište i upotrebljavajte proizvod samo na sigurnim i ravnim podlogama. Klizave ili nestabilne podloge, primjerice ljestve, mogu uzrokovati gubitak ravnoteže ili kontrole.
- Proizvod nemojte upotrebljavati na visinama, primjerice na krovu.
- Proizvod učvrstite tijekom prijevoza.
- Proizvod upotrebljavajte samo u preporučenom vremenu. Poštujte lokalne propise. Uobičajene preporuke su od 9:00 do 17:00, od ponedjeljka do subote.
- Proizvod pri obavljanju rada pogonite najnižim mogućim gasom.
- Prilikom rada s proizvodom osigurajte se od pada. Tijekom rada s proizvodom nemojte ga naginjati.
- Prije rada provjerite je li proizvod u dobrom stanju, posebice prigušivač, dovod zraka i filter zraka.
- Prije upotrebe proizvoda grabljama ili metlom otpustite ostatke na tlu.
- Ako je radno područje prljavo, isperite ga crijevom.
- Upotrebljavajte proizvod kao zamjenu za crijevo kako biste štedjeli vodu.

- Ostatke otpuhujte na siguran način. Pazite na djecu, životinje, otvorene prozore ili vozila.
- Proizvod nemojte usmjeravati na biljke koje se lako oštećuju.
- Zrak nemojte upuhivati u smjeru zidova, velikog kamenja, vozila i ograda.
- Ako radite u unutarnjim rubovima, pušite iz kuta u središte radnog područja. Ako to ne činite, ostaci vas mogu udariti u lice i uzrokovati ozljedu.
- Pomoću punog produžetka mlaznice strujanje mlaz održavajte blizu tla.
- Promatrači moraju nositi zaštitu za oči.
- Ostatke bacite u kantu za smeće nakon upotrebe proizvoda.

## Sigurnosne upute za uporabu usisavača

- Spriječite oštećenje ventilatora. Nemojte usisavati velike, čvrste predmete poput drveta, konzervi, gumeni malč ili duge komade užeta.
- Sa cijevi usisavača nemojte udarati u tlo.
- Zaustavite motor i odspojite lulicu svječiće prije uklanjanja blokade ili materijala začepljenja.

## Oprema za osobnu zaštitu

- Prilikom korištenja stroja obavezno koristite prikladnu opremu za osobnu zaštitu. Oprema za osobnu zaštitu ne poništava opasnost od ozljede. Oprema za osobnu zaštitu smanjuje ozbiljnost ozljede u slučaju nezgode.
- Tijekom korištenja stroja obavezno koristite odobrenu zaštitu za oči.
- Proizvod nemojte koristiti bez obuće ili s otvorenim cipelama. Obavezno koristite čizme za teške uvjete rada otporne na klizanje.
- Nosite teške, duge hlače.
- Po potrebi nosite odobrene zaštitne rukavice.
- Ako postoji opasnost od padanja predmeta na glavu, nosite kacigu.
- Tijekom korištenja stroja obavezno koristite odobrenu zaštitu sluha. Dugotrajna izloženost buci može uzrokovati gubitak sluha.
- Obavezno upotrebljavajte odobrenu zaštitnu masku od prašine pri upotrebi proizvoda u prašnjavim uvjetima.
- U blizini obavezno imajte kutiju prve pomoći.

## Zaštitni uređaji na proizvodu

- Redovno održavajte proizvod.
  - Time produžujete vijek trajanja proizvoda.
  - Također smanjujete opasnost od nezgoda.

Redovno pregledavajte proizvoda kod odobrenog trgovca ili odobrenog servisera radi provedbe prilagodbi ili popravaka.

- Nemojte koristiti uređaj s oštećenom zaštitnom opremom. Ako je proizvod oštećen, obratite se odobrenom servisnom centru.

## Prekidač za zaustavljanje

Pokrenite motor. Provjerite zaustavlja li se motor kada prekidač za zaustavljanje postavite u položaj za zaustavljanje.

(Sl. 16)

## Prigušivač



**UPOZORENJE:** Nemojte dodirivati vrući prigušivač. Prigušivač je tijekom pogona i po zaustavljanju motora vrlo vruć. Dodirivanje prigušivača može uzrokovati opekline.

- Nemojte koristiti motor ako je prigušivač oštećen. Oštećen prigušivač povećava razinu buke i opasnost od požara. Imajte protupožarni aparat u blizini.
- Redovno provjeravajte pričvršćenost prigušivača za proizvod.
- Kada je motor uključen nemojte dodirivati motor ili prigušivač. Motor ili prigušivač nemojte dodirivati ni neposredno nakon zaustavljanja motora. Vruće površine mogu uzrokovati ozljede.
- Vrući prigušivač može uzrokovati požar. Budite pažljivi ako proizvod koristite u blizini zapaljivih tekućina ili para.
- Ako je prigušivač oštećen, nemojte dodirivati njegove dijelove. Dijelovi mogu sadržavati kancerogene kemikalije.
- Neki modeli puhača imaju mrežicu za hvatanje iskri. Mrežicu čistite i mijenjajte u zadanim intervalima. Pogledajte odjeljak Održavanje (*Održavanje na stranici 131*).

(Sl. 17)

## Sigurnost pri rukovanju s gorivom

- Nemojte pokretati proizvod ako u njemu ima goriva ili motornog ulja. Uklonite neželjeno gorivo/ulje i pričekajte na sušenje proizvoda. Uklonite neželjeno gorivo iz proizvoda.
- Ako gorivo proljeće po odjeći, odmah ju zamijenite.
- Gorivu nemojte dopustiti kontakt s tijelom jer može uzrokovati ozljede. Ako dođe do kontakta goriva s tijelom, sapunom i vodom isperite gorivo.
- Nemojte pokretati motor ako ste po proizvodu ili tijelu proliili gorivo.

- Nemojte pokretati proizvod ako motor propušta. Redovito pregledavajte ima li na motoru propuštanja.
- Budite pažljivo s gorivom. Gorivo je zapaljivo, a pare su eksplozivne i mogu uzrokovati ozljede i smrt.
- Nemojte udisati pare goriva, one mogu uzrokovati ozljede. Osigurajte dovoljan protok zraka.
- U blizini goriva ili motora nemojte pušiti.
- U blizinu goriva ili motora nemojte stavljati vruće predmete.
- Nemojte ulijevati gorivo kada je motor uključen.
- Prije ulijevanja goriva provjerite je li motor hladan.
- Prije ulijevanja goriva polako otvorite čep spremnika goriva i pažljivo ispuštite tlak.
- Gorivo u motor nemojte ulijevati u zatvorenom prostoru. Nedovoljan protok zraka može uzrokovati ozljede ili smrt zbog gušenja ili trovanja ugljičnim monoksidom.
- Pažljivo zategnite čep spremnika goriva kako ne biste uzrokovali požar.
- Prije pokretanja proizvod odmaknite najmanje 3 m (10') od mjesta punjenja spremnika.
- U spremnik za gorivo nemojte uliti previše goriva.
- Provjerite ima li propuštanja pri pomicanju proizvoda ili posude za gorivo.
- Proizvod ili posudu za gorivo nemojte stavljati u blizinu otvorenog plamena, iskri ili lampica. U prostoru za skladištenje ne smije biti otvorenog plamena.
- Za prijenos ili skladištenje goriva koristite isključivo odobrene posude.
- Prije dugotrajnog skladištenja ispraznite spremnik za gorivo. Poštujte lokalne zakone o lokaciji zbrinjavanja goriva.
- Očistite proizvod prije dugotrajnog skladištenja.
- Prije skladištenja stroja uklonite kabel svječiće kako biste spriječili slučajno pokretanje motora.

## Sigurnosne upute za održavanje



**UPOZORENJE:** Nepravilno održavanje može uzrokovati ozbiljna oštećenja motora ili ozbiljne ozljede.

Vlasnik je odgovoran za provedbu svih neophodnih održavanja u skladu s uputama za rukovanje. Prije održavanja odspojite svječiću. Svječiću nemojte odspajati prije podešavanja rasplinjača.

## Sastavljanje



**UPOZORENJE:** Prije sastavljanja proizvoda pročitate poglavlje o sigurnosti.

## Ugradnja cijevi puhača i mlaznice na proizvod

**Napomena:** Za umetanje cijevi puhača u izlaz puhača morate dovoljno otpustiti vijak. Vijak odvijačem okrećite



u smjeru suprotnom od kazaljke na satu kako biste ga opustili.

1. Poravnajte izbočinu na gornjoj cijevi puhača sa žljebom na izlazu puhača. Postavite cijev na mjesto.
2. Okrećite vijak u smjeru kazaljke na satu kako biste pričvrstili cijev.

**Napomena:** Na matici nemojte upotrebljavati alat.

3. Poravnajte utore na donjoj cijevi puhača s jezicima na gornjoj cijevi puhača. Pomaknite donju cijev puhača na gornju cijev puhača.
4. Okrećite donju cijev puhača dok ne začujete škljocaj.

## Ugradnja vreće za sakupljanje s različitim cijevima usisavača



**UPOZORENJE:** Prije pričvršćenja cijevi za proizvod isključite motor.

### Sastavljanje vreće za sakupljanje

1. Otvorite vreću za sakupljanje.
2. Umetnite cijev vreće za sakupljanje unutar vreće kako biste je umetnuli u otvor usisavača.
3. Provjerite jesu li gume sjele u utor (A).
4. Zatvorite patentni zatvarač na vreći. (Sl. 18)

### Instalacija cijevi vreće za sakupljanje

1. Ako je cijev puhača priključena, uklonite je.
2. Poravnajte izbočinu na cijevi vreće za sakupljanje (A) s utorom na izlazu puhača (B).

3. Do kraja gurnite cijev vreće za sakupljanje na izlaz puhača.
4. Umetnite maticu (C) u utor.
5. Postavite vijak i odvijačem ga zategnite u smjeru kazaljke na satu kako biste pričvrstili cijev. (Sl. 19)

## Za pričvršćivanje cijevi usisavača

1. Poravnajte strelicu na donjoj cijevi usisavača (A) sa strelicom na gornjoj cijevi usisavača (B).
2. Gurnite donju cijev usisavača u gornju cijev usisavača.
3. Upotrijebite odvijač za ugradnju samoureznog vijka (C) koji drži cijevi zajedno. (Sl. 20)

## Ugradnja cijevi usisavača

1. Umetnite vrh odvijača u zaporni dio otvora usisavača.
2. Okrenite odvijač kako biste otpustili zasun. (Sl. 21)
3. Držite poklopac na otvoru usisavača otvorenim dok gornja usisna cijev ne bude na mjestu.
4. Poravnajte izbočine s unutarnje strane otvora usisavača s utorima na gornjoj usisnoj cijevi. Provjerite je li simbol zaključavanja na cijevi poravnat sa simbolom otključavanja na otvoru usisavača. (Sl. 22)
5. Do kraja gurnite gornju usisnu cijev u otvor usisavača.
6. Okrenite gornju usisnu cijev u smjeru kazaljke na satu dok se simbol zaključavanja ne poravnata sa simbolom zaključavanja na otvoru usisavača. Kada je cijev pravilno priključena, čut ćete klik. (Sl. 23)

## Rad



**UPOZORENJE:** Prije korištenja proizvoda pročitajte i usvojite poglavlje o sigurnosti.

### Gorivo

#### Korištenje goriva



**OPREZ:** Proizvod ima dvotaktni motor. Koristite mješavinu benzina i dvotaktnog motornog ulja. U mješavini koristite ispravnu količinu ulja. Nepravilan omjer benzina i ulja može oštetiti motor.

### Benzin



**OPREZ:** Nemojte koristiti benzin s oktanskim brojem manjim od 90 RON (87 AKI). Tako možete oštetiti proizvod.



**OPREZ:** Nemojte koristiti benzin s koncentracijom etanola višom od 10% (E10). Tako možete oštetiti proizvod.



**OPREZ:** Nemojte upotrebljavati bezolovni benzin. Tako možete oštetiti proizvod.

- Obavezno koristite bezolovni benzin minimalnog oktanskog broja 90 RON (87 AKI) i s koncentracijom etanola manjom od 10% (E10).
- Ako proizvod koristite redovito i pri visokom broju okretaja, koristite benzin s višim oktanskim brojem.
- Obavezno upotrebljavajte mješavinu kvalitetnog bezolovnog benzina/ulja.

### Dvotaktno motorno ulje

- Koristite isključivo dvotaktno motorno ulje visoke kvalitete. Koristite isključivo motorno ulje za zračno hlađenje.

- Nemojte koristiti druge vrste ulja.
- Omjer mješavine 50:1 (2%)

Benzin	Ulje
1 amer. gal.	77 ml (2,6 oz)
1 UK gal.	95 ml (3,2 oz)
5 l	100 ml (3,4 oz)

## Izrada mješavine goriva

**Napomena:** Za miješanje goriva uvijek koristite čistu posudu za gorivo.

**Napomena:** Nemojte praviti mješavine goriva za razdoblja dulja od 30 dana.

1. Ulijte pola količine benzina.
2. Ulijte cijelu količinu ulja.
3. Zamiješajte mješavinu kako biste pomiješali sastojke.
4. Dodajte preostalu količinu goriva.
5. Zamiješajte mješavinu kako biste pomiješali sastojke.
6. Napunite spremnik goriva.

## Ulijevanje goriva

- Obavezno koristite posudu za gorivo s ventilom za sprječavanje izlivanja.
- Ako se u posudi nalazi gorivo, izlijte neželjeno gorivo i isušite ju.
- Područje uz čep spremnika goriva mora biti čisto.
- Posude za gorivo protresite prije ulijevanja mješavine u spremnik za gorivo.

## Pokretanje i zaustavljanje

### Prije pokretanja motora

- Pregledajte nedostaju li na proizvodu dijelovi te ima li oštećenih, nepričvršćenih ili istrošenih dijelova.
- Pregledajte vreću za sakupljanje. Uvjerite se kako vreća za sakupljanje nije oštećena te kako je patent zatvarač zatvoren.
- Pregledajte matice i vijke.
- Pregledajte filter zraka.
- Proverite ispravnost rada regulatora gasa.
- Proverite ispravnost rada prekidača za zaustavljanje.
- Pregledajte ima li na proizvodu ispuštanja goriva.

### Pokretanje hladnog motora



**UPOZORENJE:** Uže pokretača nemojte omatati oko ruke.



**OPREZ:** Proizvod nemojte držati nogom.



**OPREZ:** Uže pokretača nemojte izvlačiti u krajnji položaj. Nemojte ispuštati ručicu izvučenog užeta pokretača. Tako možete oštetiti proizvod.

**Napomena:** Ako se motor zaustavi, kontrolu čoka postavite u zatvoreni položaj i ponovite korake za pokretanje.

1. Napunite spremnik za gorivo čistom mješavinom goriva.
2. 10 puta pritisnite pumpicu za gorivo. (Sl. 24)
3. Pomaknite kontrolu čoka u položaj PUNOG ČOKA (zatvoreno). (Sl. 25)
4. Pritisnite regulaciju promjenjive brzine u krajnji položaj u smjeru suprotnom od kazaljke na satu. (Sl. 26)
5. Lijevom rukom zadržite kućište stroja na tlu.
6. Povlačite ručicu užeta pokretača dok pokušavate pokrenuti motor. Nemojte ju povlačiti više od 3 puta.
7. Kontrolu čoka postavite u položaj 1/2 i povlačite ručicu užeta pokretača do pokretanja i pogona motora. (Sl. 27)
8. Pogonite motor približno 10 sekundi.
9. Pritisnite i zadržite regulator gasa u krajnjem položaju kroz sve preostale korake.
10. Kontrolu čoka pomaknite u položaj ČOK ISKLJUČEN (otvoreno). (Sl. 28)
11. Zagrijavajte motor do 1 minute.

### Pokretanje zagrijanog motora

1. Pritisnite i zadržite regulator gasa.
2. Kontrolu čoka pomaknite u položaj 1/2.
3. Uz povlačenje regulatora gasa brzo povlačite ručicu užeta pokretača do pogona motora.
4. Kontrolu čoka pomaknite u položaj ČOK ISKLJUČEN (otvoreno).

### Isključivanje motora

- Pritisnite i otpustite prekidač za ZAUSTAVLJANJE (STOP) motora. Prekidač se automatski vraća u položaj UKLJUČENO (ON). Prije pokušaja ponovnog pokretanja proizvoda pričekajte 7 sekundi kako bi se prekidač ponovno postavio.

## Upotreba mlaznice

- Za precizni i koncentrirani mlaz zraka upotrebljavajte standardnu mlaznicu. (Sl. 29)
- Za širi mlaz zraka veće brzine upotrebljavajte mlaznicu za visoke brzine. (Sl. 30)

## Podešavanje mlaznice puhača

1. Zakrenite mlaznicu ulijevo kako biste otpustili bajunetni zapor.
2. Pomaknite mlaznicu u položaj za primjenu.
3. Zakrećite mlaznicu udesno dok ne osjetite škljocaj.

## Usisavanje

Prije usisavanja opremite se neophodnom sigurnosnom opremom.



**UPOZORENJE:** Prije upotrebe provjerite je li vreća za sakupljanje neoštećena te je li patent zatvarač zatvoren. Nemojte upotrebljavati oštećenu vreću. Tako sprječavate ozljede uzrokovane letećim ostacima. Rukovanjem lijevom rukom povećavate opasnost. Nemojte tijelom dodirivati područje izlaza ispuha.



**UPOZORENJE:** Puhač nemojte pokretati ako je poklopac usisa otvoren ili oštećen (osim ako nije postavljena cijev usisavača).

- Vreću za sakupljanje tijekom rada puhača morate držati naramenicom. Naramenicu trebate nositi na vrhu ramena.
- Pokrenite puhač. Poštujte upute iz odjeljka za pokretanje i zaustavljanje *Pokretanje i zaustavljanje na stranici 130*. Pročitajte sigurnosne upute *Sigurnost na stranici 126*.

## Pražnjenje vreće za skupljanje



**UPOZORENJE:** Obavezno pregledajte vreću za sakupljanje. Prije upotrebe provjerite je li neoštećena te je li patent zatvarač zatvoren. Nemojte koristiti oštećenu vreću za skupljanje. Postoji opasnost od ozljede letećim ostacima. Budite pažljivi pri rukovanju lijevom rukom. Nemojte dodirivati područje izlaza ispuha.

1. Zaustavite proizvod.
2. Otvorite bočni patentni zatvarač.
3. Ispraznite vreću za sakupljanje.
4. Zatvorite patent zatvarač.

## Održavanje



**UPOZORENJE:** Prije čišćenja, popravljivanja ili održavanja proizvoda pročitajte i usvojite sigurnosno poglavlje.

## Raspored održavanja

Obavezno pratite raspored održavanja. Intervali su izračunati za dnevno korištenje proizvoda. Intervali se razlikuju ako proizvod ne koristite svaki dan. Provodite samo zahvate održavanja navedene u ovom priručniku. Za radove održavanja koji nisu navedeni u ovom priručniku obratite se odobrenom servisnom centru.

### Dnevno održavanje

- Očistite vanjske površine.
- Ispitajte rad regulacije brzine i regulatora gasa. Zamijenite oštećene dijelove.
- Pregledajte prekidač za zaustavljanje. Po potrebi ga zamijenite.
- Provjerite broj okretaja u praznom hodu.
- Očistite filter zraka. Po potrebi ga zamijenite.
- Provjerite može li se poklopac usisa zavraviti u zatvorenom položaju. Provjerite je li rotor čist.
- Zategnite sve matice i vijke.
- Uvjerite se kako kućišta nisu ispuhana.
- Uvjerite se kako vreća za sakupljanje nije oštećena te kako je patent zatvarač ispravan. Po potrebi zamijenite vreću.

### Tjedno održavanje

- Provjerite stanje uređaja za pokretanje, užeta za pokretanje i opruge zatezača. Zamijenite sve oštećene dijelove.
- Provjerite stanje usisa zraka na uređaju za pokretanje. Ako je usis zraka začepljen, uklonite ostatke.
- Očistite vanjski dio svjeće. Izvadite ju i provjerite razmak elektroda. Podesite udaljenost na 6 mm (0,024") ili zamijenite svjećicu.
- Očistite noževe na rotoru.
- Očistite mrežicu za hvatanje iskri i po potrebi ju zamijenite (ne na prigušivačima s katalizatorom).
- Očistite područje rasplinjača.
- Očistite filter zraka.

### Mjesečno održavanje

- Pregledajte ručicu užeta pokretača i uže pokretača.
- Očistite spremnik za gorivo.
- Očistite rasplinjač i područje oko njega.
- Očistite noževe na rotoru.
- Uvjerite se da vodovi goriva nisu ispuhani te da nemaju druga oštećenja. Zamijenite ga ako je potrebno
- Promijenite filter za gorivo u spremniku za gorivo.
- Pregledajte sve kabele i priključke.
- Promijenite svjećicu.
- Zamijenite filter za zrak.

### Godišnje održavanje

- Pregledajte svjećicu.

- Očistite vanjsku površinu rasplinjača te okolne površine.
- Očistite rashladni sustav.
- Pregledajte mrežicu za hvatanje iskri.
- Pregledajte filter goriva.
- Pregledajte ispravnost crijeva za gorivo.
- Pregledajte sve kabele i priključke.

#### Održavanje nakon 50 h

- U odobrenom servisnom centru popravite ili zamijenite prigušivač.

#### Podešavanje broja okretaja u praznom hodu

- Prije podešavanja broja okretaja u praznom hodu provjerite je li filter zraka čist i je li postavljen poklopac filtra.
- Broj okretaja u praznom hodu podešavate vijkom za podešavanje broja okretaja u praznom hodu T kojeg možete prepoznati po oznaci "T".
- Broj okretaja motora u praznom hodu ispravan je kada motor radi ugladeno u svim položajima.

(Sl. 31)

1. Za viši broj okretaja u praznom hodu vijak za podešavanje broja okretaja u praznom hodu okrenite u smjeru kazaljke na satu.
2. Za niži broj okretaja u praznom hodu vijak za podešavanje broja okretaja u praznom hodu okrenite u smjeru suprotnom od kazaljke na satu.

#### Održavanje mrežice za hvatanje iskri

Mrežicu za hvatanje iskri očistite žičanom četkicom.

#### Čišćenje rashladnog sustava

(Sl. 32)

Dijelove rashladnog sustava očistite četkicom.

#### Pregled svjećice



**OPREZ:** Uvijek koristite preporučenu vrstu svjećice. Neodgovarajuća vrsta svjećice može oštetiti proizvod.

- Ako motor nema snage, teško se pokreće ili ne radi ispravno u praznom hodu, pregledajte svjećicu.
- Za smanjenje opasnosti od nepoželjnog materijala na elektrodama svjećice pratite sljedeće upute:
  - a) Provjerite je li broj okretaja pri praznom hodu pravilno podešen.
  - b) Provjerite ispravnost mješavine goriva.
  - c) Provjerite je li filter zraka čist.
- Ako je svjećica prljava, očistite je i provjerite ispravnost zazora elektroda, pogledajte *Tehnički podaci na stranici 132*. (Sl. 33)
- Ako je potrebno, zamijenite svjećicu.

#### Održavanje filtra zraka

##### Čišćenje filtra zraka

1. Skinite poklopac filtra zraka i izvadite filter zraka. (Sl. 34)
2. Očistite filter zraka vrućom sapunicom. Filter zraka mora biti suh prije ugradnje.
3. Ako je filter zraka previše onečišćen i ne možete ga u potpunosti očistiti, zamijenite ga. Oštećeni filter zraka obavezno zamijenite.
4. Ako proizvod ima pjenasti filter zraka, koristite ulje za filter zraka. Ulje za filter zraka nanosite samo na pjenasti filter. Ulje nemojte nanositi na filter od filca.

## Tehnički podaci

	jedinica	125B (125B28HV)	125BX (125B28HV)	125BVX (125B28HV)
<b>Specifikacije motora</b>				
Zapremnina cilindra	cm <sup>3</sup>	28	28	28
Razmak elektroda	mm	0,6	0,6	0,6
Obujam spremnika za gorivo	cm <sup>3</sup>	500	500	500
Broj okretaja u praznom hodu	min <sup>-1</sup>	2800 – 3200	2800 – 3200	2800 – 3200
Broj okretaja za maksimalnu snagu	min <sup>-1</sup>	8000	8000	8000
Snaga	kW	0,8	0,8	0,8

Svjećica		Champion RCJ-6Y	Champion RCJ-6Y	Champion RCJ-6Y
Maksimalni broj okretaja u način rada puhača	min <sup>-1</sup>	8600	8600	8600
Maksimalni broj okretaja u način rada usisavača	min <sup>-1</sup>	--	7500	7500
Razdoblje trajnosti emisije	h	125	125	125
<b>Podaci o buci i vibracijama</b>				
Ekvivalentna razina vibracija na ručkama sa cijevima puhača i mlaznicom (originalni) – pogledajte napomenu 1	m/s <sup>2</sup>	11,03	11,03	11,03
Ekvivalentna razina vibracija na ručkama sa cijevima usisavača (originalne), lijevo/desno – pogledajte napomenu 1	m/s <sup>2</sup>	--/--	12.16/12.29	12.16/12.29
Ekvivalentne razine tlaka zvuka na uhu rukovatelja izmjerene u skladu s ISO 22868, sa cijevima puhača i mlaznicom (originalni) – pogledajte napomenu 3	dB (A)	96	96	96
Tlak zvuka u uhu promatrača izmjeren u skladu s ANSI B175.2, s cijevima puhača i mlaznicom (originalni)	dB (A)	71	71	71
Razina jačine zvuka, izmjerena – pogledajte napomenu 2	dB (A)	109	109	109
Razina jačine zvuka, zajamčena (L <sub>WA</sub> ) – pogledajte napomenu 2	dB (A)	112	112	112
<b>Dimenzije proizvoda</b>				
Težina (bez goriva, no s ugrađenom cijevi puhača i standardnom mlaznicom)	kg	4.3	4.4	4.4
<b>Napomena 1:</b> Podaci o ekvivalentnoj razini vibracije pokazuju tipičnu statističko raspršenje (standardno odstupanje) od 1 m/s <sup>2</sup> .				
<b>Napomena 2:</b> Emisija buke izmjerena u okolini kao jačina zvuka (L <sub>WA</sub> ) sukladno EU Direktivi 2000/14/EC. Razina jačine zvuka stroja izmjerena je s originalnim nastavkom koji proizvodi najvišu razinu buke. Razlika između zajamčene i izmjerene razine buke jest da zajamčena razina uključuje i raspršenje rezultata mjerenja i varijacije između različitih uređaja istog modela u skladu s Direktivom 2000/14/EZ.				
<b>Napomena 3:</b> Navedeni podaci za ekvivalentnu razinu pritiska zvuka za stroj uključuju tipično statističko raspršenje (standardno odstupanje) od 1 dB (A).				

Ventilator	Jedinica	125B	125BX	125BVX
Vrsta		Radijalni ventilator	Radijalni ventilator	Radijalni ventilator
Maksimalna brzina zraka, standardna mlaznica	km/h	217	217	217
Maksimalna brzina zraka, mlaznica za visoke brzine*	km/h	273	273	273
Zapremnina zraka u načinu rada puhača	cfm	425	425	425
Zapremnina zraka u načinu rada usisavača	cfm	--	445	445

\*dodatna oprema na nekim modelima

## Dodatna oprema

125B, 125BX, 125BVX	
<b>Odobreni dodaci</b>	<b>Vrsta</b>
Komplet za čišćenje oluka	952 711 918
125BX, 125BX	
<b>Odobreni dodaci</b>	<b>Vrsta</b>
Komplet za usisavanje	952 711 913
125B	
<b>Odobreni dodaci</b>	<b>Vrsta</b>
Mlaznica velike brzine	545 119 501

## Sadržaj EZ izjave o sukladnosti

Mi, Husqvarna AB, SE 561 82 Huskvarna, SWEDEN, izjavljujemo pod isključivom odgovornošću kako prikazani proizvod:

Opis	Gasoline Blower/ Blower-Vacuum
Marka	Husqvarna
Platforma / vrsta / model	Platforma 125B28HV, koja predstavlja model 125B, 125BX, 125BVX
Grupa	Serijski brojevi od 2019 i noviji

u potpunosti sukladan sljedećim EU direktivama i propisima:

Direktiva/propis	Opis
2006/42/EC	"koja se odnosi na strojeve"
2014/30/EC	"koja se odnosi na elektromagnetsku kompatibilnost"
2000/14/EC	"koja se odnosi na vanjsku buku"

Direktiva/propis	Opis
2011/65/EU	"o ograničenju uporabe određenih opasnih tvari"

Primijenjene su sljedeće usklađene norme i/ili tehničke specifikacije: EN ISO 12100, EN ISO 1186-1, CISPR 12, ISO 14982, EN 50581

U skladu s dodatkom V direktive 2000/14/EC, objavljene vrijednosti zvuka navedene su u odjeljku s tehničkim podacima u ovom priručniku i u potpisanoj EC izjavi o sukladnosti.

Intertek je proveo dobrovoljno ispitivanje za tvrtku Husqvarna AB i izdao certifikaciju za usklađenost s EC Direktivom vijeća 2006/42/EC za strojeve.

Certifikacija u potpisanoj EC izjavi o sukladnosti primjenjiva je za sve proizvodne lokacije i zemlje podrijetla navedene na proizvodu.

Isporučeni Gasoline Blower/ Blower-Vacuum odgovara ispitanom primjerku.

# TARTALOMJEGYZÉK

Bevezető.....	135	Karbantartás.....	141
Biztonság.....	136	Műszaki adatok.....	143
Összeszerelés.....	139	Tartozékok.....	144
Üzemeltetés.....	139	Az EK-megfelelőségi nyilatkozat tartalma.....	144

## Bevezető

### Kezelői kézikönyv

A kezelői kézikönyv eredeti nyelve angol. A más nyelvű kezelői kézikönyvek az angol változat fordításai.

(ábra 1)

1. Vállszíjroggató (125BVX)
2. Gázkar
3. Leállítókapcsoló
4. Fordulatszám-szabályozás
5. Ventilátorház
6. Tanksapka
7. Légszűrő
8. Fojtószelep (hidegindító)
9. Üzemanyagpumpa
10. Szívónyílás fedele
11. Porszívófogantyú (125BX és 125BVX)
12. Kések (125BX és 125BVX)
13. Ventilátorlapát
14. Standard fúvócső
15. Nagysebességű fúvóka (125BX és 125BVX)
16. Fúvócső
17. Csőszorító csavar
18. Csőszorító csavaranyák
19. Kipufogódob
20. Földvezeték
21. Indítófogantyú
22. Indítószerkezet
23. Karburátor beállító csavarok
24. Kezelői kézikönyv
25. Gyűjtőelemekkel felszerelt szívó berendezés, mely az alábbi 26–30 elemből áll
26. Gyűjtőzsák-cső
27. Gyűjtőzsák
28. Kétszakaszú szívócső
29. Csavar
30. Vállpánt

### A termék szimbólumai

- (ábra 2) Figyelmeztetés
- (ábra 3) Olvassa el a kézikönyvet
- (ábra 4) Használjon jóváhagyott fűlvédőt

### Áttekintés

- (ábra 4) Használjon jóváhagyott védőszemüveget
- (ábra 4) Használjon jóváhagyott porvédő maszkot
- (ábra 5) Használjon jóváhagyott védőkesztyűt
- (ábra 6) A termék tárgyakat repíthet szét, amelyek szemsérülést okozhatnak
- (ábra 7) Biztonságos távolság
- (ábra 8) Ne közelítsen a forgó járókerékhez
- (ábra 9) Gyermeknek ne menjenek a termék közelébe
- (ábra 10) Hangteljesítményszint
- (ábra 11) Zajszint
- (ábra 12) Ha hosszú haja van, úgy kösse fel, hogy az ne érjen le a válláig
- (ábra 13) Ez a termék megfelel a vonatkozó EK-irányelveknek
- (ábra 14) Ez a termék megfelel a vonatkozó EAC-irányelveknek
- (ábra 15) Ez a termék megfelel az Ukrajnában hatályos irányelveknek

**Megjegyzés:** A terméken szereplő többi jelölés/címke a további piacok specifikus vizsgáztatási követelményeire vonatkozik.

### Euro V. kibocsátási norma



**FIGYELMEZTETÉS:** A motor módosítása érvényteleníti a termékre vonatkozó európai uniós típusjóváhagyást.

### Termékszavatosság

A termékszavatosságra vonatkozó jogszabályok értelmében nem vagyunk felelősek a termékeink által okozott károkért az alábbi esetekben:

- a termék javítását helytelenül végezték;

- a termék javítása nem a gyártótól származó vagy általa jóváhagyott alkatrészekkel történt;
- a terméket nem a gyártótól származó vagy általa jóváhagyott kiegészítővel szerelték fel;

- a termék javítását nem hivatalos szakszerviz vagy jóváhagyott egyéb szerviz végezte.

## Biztonság

### Biztonsági fogalom meghatározások

Az alábbi fogalom meghatározások az egyes figyelmeztetésekhez tartozó, lehetséges veszélyek súlyosságát határozzák meg.



**FIGYELMEZTETÉS:** Személyi sérülés veszélye.



**VIGYÁZAT:** A termék károsodásának veszélye.

**Megjegyzés:** Ezek az információk a termék használatát könnyítik meg.

### Általános biztonsági utasítások



**FIGYELMEZTETÉS:** A termék használata előtt olvassa el az alábbi figyelmeztetéseket.

- Használja a terméket megfelelően. A nem megfelelő használat súlyos, akár halálos sérüléssel is járhat. A terméket csak a kézikönyvben ismertetett feladatokra használja. Ne használja a terméket egyéb feladatokra.
- Tartsa be a kézikönyvben olvasható utasításokat. Vegye figyelembe a biztonsági jelzéseket és tartsa be a biztonsági utasításokat. Ha a kezelő nem az utasítások és a szimbólumok szerint jár el, anyagi kár, személyi sérülés, akár halál is bekövetkezhet.
- Őrizze meg a kézikönyvet. Használja az utasítást a termék összeszereléséhez, működtetéséhez és a megfelelő üzemállapot fenntartásához. Használja az utasítást a kiegészítők és tartozékok megfelelő felszereléséhez. Csak jóváhagyott kiegészítőt és tartozékokat használjon.
- Ne használjon sérült terméket. Tartsa be a karbantartási ütemtervet. Csak olyan karbantartási munkát végezzen, amire a kézikönyvben utasítást talál. Az összes többi karbantartási munkát bízza a hivatalos szakszervizre.
- A kézikönyv nem tartalmazhatja minden olyan helyzet leírását, ami a termék használata során előfordulhat. Legyen körültekintő és hagyatkozzon a józan eszére. Ne működtesse a terméket és ne végezzen rajta karbantartást, ha nem biztos a dolgában. Kérjen tájékoztatást a termék

szakértőjétől, a forgalmazótól, szervizműhelytől vagy a hivatalos márkaszerviztől.

- Húzza le a gyertyapipát, mielőtt a termék összeszerelésébe kezd, elteszi vagy karbantartásba kezd.
- Ne használja a terméket, ha megváltozott az eredeti specifikációja. Ne cseréljen a terméken alkatrészt a gyártó jóváhagyása nélkül. Kizárólag a gyártó által jóváhagyott alkatrészeket használja. A nem megfelelő karbantartás súlyos, akár végzetes sérüléssel is járhat.
- Ne lélegezze be a motorból kiáramló füstöt. A motor kipufogógázainak hosszas belégzése káros lehet az egészségre.
- Ne indítsa be az egységet zárt helyiségben vagy gyúlékony anyagok közelében. A kipufogógázok forróak, és lehet bennük szikra, mely tüzet okozhat. A nem elegendő mértékű légáramlás fulladás vagy szén-monoxid miatt egészségkárosodást, akár halált is okozhat.
- A termék használatakor a motor elektromágneses mezőt hoz létre. Az elektromágneses mező károsíthatja az orvosi implantátumokat. A termék használata előtt kérje ki orvosa vagy orvosi implantátuma gyártójának tanácsát.
- A terméket gyermekek nem használhatják. Ne engedélyezze a termék használatát olyan személy számára, aki nem ismeri a használati utasítás tartalmát.
- Csökkent fizikai vagy szellemi képességekkel rendelkező személy csak felügyelet mellett használhatja a terméket. Egy felelős felnőttnek mindig jelen kell lennie.
- A terméket zárja el olyan helyre, ahol gyermek vagy jogosulatlan személy nem férhet hozzá.
- A termék tárgyakat repíthet szét, és ezzel sérülést okozhat. Tartsa be a biztonsági előírásokat, hogy csökkenthető legyen a súlyos, akár halálos sérülések kockázata.
- Ne hagyja magára a járó motorú terméket.
- Az esetleges balesetekért a termék kezelője a felelős.
- A termék használatának megkezdése előtt ellenőrizze az alkatrészek épségét.
- A termék használatának megkezdése előtt gondoskodjon arról, hogy minimum 15 m (50 láb) távolságra kerüljön más személyektől, illetve állatoktól. Tudassa a közelben levő személyekkel, hogy használni fogja a terméket.
- Tartsa be az állami vagy helyi törvényeket. Egyes feltételek mellett ezek tilthatják vagy korlátozhatják a termék használatát.



- Ne használja a terméket, ha fáradt, illetve alkohol, kábítószer vagy gyógyszer hatása alatt áll. Ezek befolyásolhatják a látását, éberségét, koordinációját vagy ítélelképességét.

## Rezgéssel kapcsolatos biztonsági tudnivalók

Ez a termék csak alkalmanként használható. A termék folyamatos vagy rendszeres használata a rezgés miatt ujféhéredést vagy hasonló tüneteket okozhat. Ha folyamatosan vagy rendszeresen használja a terméket, vizsgálta meg kezét és ujjait egészségi állapotát. Ha kézfeje vagy ujjai elszíneződtek, fájnak, bizseregnek vagy zsibbadnak, ne folytassa a munkát, és forduljon azonnal orvoshoz.

## Biztonsági utasítások a lombfűvő használatához

- A készüléket csak arra használja, hogy elfújja vele a földről a leveleket és más szemetet, illetve eltávolítsa azokat.
- Ne használja a terméket, ha fáradt, beteg, illetve alkohol, drog vagy gyógyszer hatása alatt áll.
- Ne hagyja, hogy nézelődők vagy állatok tartózkodjanak a gépkezelő 15 méteres körzetén belül.
- A termék olyan nagy sebességgel dobálhat tárgyakat, hogy azok a kezelőre is visszapatlanhatnak, amivel szemsérülést is okozhatnak.
- A fűvőcső végét soha ne irányítsa emberekre vagy állatokra.
- Ha hosszú haja van, úgy kösse fel, hogy az ne érjen le a válláig.
- Mielőtt tartozékokat vagy más elemeket szerelne fel vagy le, állítsa le a motort.
- Ne működtesse a terméket a védőeleme nélkül.
- Ne működtesse a terméket, ha a munkaterületen másvalaki is tartózkodik. Állítsa le a terméket, ha valaki belép a munkaterületre.
- Ne használja a terméket olyan térben, ahol nincs megfelelő légáramlás. A nem elegendő mértékű légáramlás fulladás vagy szén-monoxid miatt egészségkárosodást, akár halált is okozhat.
- A kipufogódob nagyon forró, amikor a gép működik, közvetlenül a leállítása után, valamint alapjáratú fordulatszámra járátva a motort. Legyen óvatos gyúlékony anyagok és gőzök közelében.
- Ne nyúljon a szívónyílásfedél közelébe. Az ékszereket és laza ruhaneműket tartsa távol a szívónyílás fedelének környékétől.
- Mindig gondoskodjon a megfelelő alaptatról, és csak biztonságos és vízszintes felületen állva használja a terméket. Síkos vagy instabil felületen, például létrán állva elvesztheti egyensúlyát vagy uralmát a termék felett.
- Ne használja a terméket magasban, például a tetőn.
- Szállításkor rögzítse a terméket.

- A terméket csak az ajánlott időszakban működtesse. Tartsa be a helyi előírásokat. Az általános ajánlások hétfőtől szombatiig a reggel 9 és du. 5 óra közötti időtartamot jelölik meg.
- A készüléket a munka elvégzését lehetővé tévő legalacsonyabb fordulatszámon üzemeltesse.
- Ügyeljen arra, hogy ne eshessen el a termék használatakor. Ne görnyedve, meghajolva használja a terméket.
- Üzemelés előtt ellenőrizze a termék, különösen a kipufogódob, a levegőbeömlő nyílás és a légszűrő állapotát.
- A termék használatának megkezdése előtt gereblyével vagy seprűvel lazítsa fel a földön lévő szemetet.
- Ha a munkaterület poros, locsolja fel.
- A víztakarékosság érdekében használjon locsolótömlő helyett más megoldásokat.
- A hulladékot biztonságosan fújja el. Vigyázzon a gyerekekre, állatokra, nyitott ablakokra és járművekre.
- Ne irányítsa a terméket könnyen sérülő növényekre.
- Ne fújassa a levegőt objektumok, például falak, nagyobb kövek, járművek és kerítések felé.
- Ha belső sarkokban dolgozik, a sarokból kifelé fújasson a munkaterület közepe felé, máskülönben a szemét felrepülhet az arcába, és megsértheti a szemét.
- Használja az egész fűvőcső-hosszabbítót, hogy a légáramlat a talaj közelében fejthesse ki hatását.
- Minden közelben tartózkodó személy viseljen védőszemüveget.
- A termék használatát követően a hulladékot helyezze hulladékgyűjtő edényekbe.

## Biztonsági utasítások a szívóberendezésként történő használatához

- Ügyeljen a ventilátor épségére. Ne szívjon fel nagyobb, szilárd tárgyakat, például fadarabot, konzervdobozt, gumi- vagy zsinórdarabkákat.
- Ügyeljen rá, hogy a szívócső ne ütődjön a talajnak.
- Állítsa le a motort és húzza le a gyertyapipát, mielőtt eltávolítja az akadályt képező vagy eltömődést okozó anyagot.

## Személyi védőfelszerelés

- Amikor a terméket használja, viseljen mindig megfelelő személyi védőfelszerelést. A személyi védőfelszerelés nem szünteti meg a személyi sérülés kockázatát. A személyi védőfelszerelés egy esetleges baleset esetén mérsékli a sérülés mértékét.
- A termék használatakor viseljen jóváhagyott védőszemüveget.

- Ne meztláb vagy nyitott cipőben működtesse a terméket. Mindig viseljen erős, csúszásmentes bakancsot.
- Viseljen vastag, hosszú szárú nadrágot.
- Szükség esetén használjon jóváhagyott védőkesztyűt.
- Vegyen fel védősisakot, ha fennáll az esélye, hogy valami a fejére eshet.
- A termék használatakor viseljen jóváhagyott fülvédőt. A zajnak való tartós kitettség halláskárosodást okozhat.
- Poros környezetben mindig viseljen jóváhagyott porvédő maszkot a termék használatakor.
- Legyen a közelben elsősegély-készlet.

## Biztonsági eszközök a terméken

- Feltétlenül végezzen rendszeres karbantartást a terméken.
  - A termék élettartama így növelhető,
  - a balesetveszély pedig csökken.

Vizsgáltsa át rendszeresen a terméket márkakereskedésben vagy szakszervizben, ahol elvégzik a szükséges beállításokat, javításokat.

- Ne használja a terméket sérült biztonsági eszközökkel. Ha a termék megsérült, forduljon vele hivatalos szakszervizhez.

## Leállítókapszoló

Indítsa be a motort. Győződjön meg arról, hogy a motor leáll, amikor a leállítókapszolót STOP helyzetbe állítja. (ábra 16)

## Kipufogódob



**FIGYELMEZTETÉS:** Ne nyúljon a forró kipufogódobhoz! A kipufogódob nagyon forró, amikor a motor jár, valamint közvetlenül a leállítása után. A kipufogódob megérintése égési sérüléseket okozhat.

- Ne indítsa be a motort, ha a kipufogódob megsérült. A hibás kipufogódob növeli a zajszintet és a tűzveszélyt. Legyen a közelben tűzoltó készülék.
- Ellenőrizze rendszeresen a kipufogódob rögzítettségét.
- Ne érjen a motorhoz vagy a kipufogódobhoz, ha jár a motor. Ne érjen a motorhoz vagy a kipufogódobhoz még egy darabig, miután leállította a motort. A forró felületek sérülést okozhatnak.
- A forró kipufogódob tüzet okozhat. Legyen óvatos, ha a terméket gyúlékony folyadékok vagy gőzök közelében használja.
- Ne érjen a kipufogódob alkatrészeihez, ha a kipufogódob megsérült. Az alkatrészek rákkeltő vegyi anyagokat tartalmazhatnak.
- Egyes lombfúvók szikrafogó hálójával is rendelkeznek. Ezt a hálót meghatározott időközönként meg kell

tisztítani vagy ki kell cserélni. Lásd a Karbantartás című fejezetet (*Karbantartás141. oldalon*). (ábra 17)

## Üzemanyaggal kapcsolatos biztonság

- Ne indítsa be a terméket, ha üzemanyag vagy motorolaj került rá. Távolítsa el a nem kívánt üzemanyagot/motorolajat és hagyja megszáradni a terméket. Távolítsa el a nem kívánt üzemanyagot a termékről.
- Ha a kiömlött üzemanyag a ruhájára csöppent, öltözzön át azonnal.
- Ügyeljen arra, hogy ne kerüljön üzemanyag a testére, mert az sérülést okozhat. Ha üzemanyag került a testére, távolítsa el szappannal és vízzel.
- Ne indítsa be a motort, ha olaj vagy üzemanyag került a termékre vagy Önre.
- Ne indítsa be a motort, ha szivárog a motor. Vizsgálja meg rendszeresen a motort szivárgás szempontjából.
- Bánjon óvatosan az üzemanyaggal. Az üzemanyag gyúlékony, a gőzei robbanásveszélyesek, ezért súlyos, akár végzetes sérülést is okozhat.
- Ne lélegezzen be az üzemanyag gőzeit, egészségkárosodást okozhatnak. Gondoskodjon megfelelő légáramlásról.
- Az üzemanyag vagy a motor közelében ne dohányozzon.
- Az üzemanyag vagy a motor közelébe ne tegyen forró tárgyakat.
- Ne tankoljon járó motornál.
- Várja meg a tankolással, amíg lehűl a motor.
- Tankolás előtt nyissa meg lassan a tanksapkát, engedje ki óvatosan a nyomást.
- Ne beltérben tankoljon. A nem elegendő mértékű légáramlás fulladás vagy szén-monoxid miatt egészségkárosodást, akár halált is okozhat.
- Körültekintően húzza meg a tanksapkát, különben tűz keletkezhet.
- Vigye legalább 3 m (10 láb) távolságra a terméket a tankolás helyétől, mielőtt beindítaná.
- Ne töltse túl üzemanyaggal a terméket.
- Ügyeljen arra, hogy ne forduljon elő szivárgás, amikor a terméket vagy az üzemanyagtartályt mozgatja.
- Ne vigye olyan helyre a terméket vagy az üzemanyagtartályt, ahol nyílt láng, szikra vagy őrláng található. Győződjön meg arról, hogy a tárolás helyén nem található nyílt láng.
- Csak jóváhagyott tartályt használjon az üzemanyag szállítására vagy tárolására.
- Hosszú távú tárolás előtt ürítse ki az üzemanyagot a termékből. A lefejtett üzemanyag elhelyezésekor járjon el a hatályos helyi előírások szerint.
- Hosszú távú tárolás előtt tisztítsa meg a terméket.
- Húzza le a gyertyapipát, mielőtt a terméket elteszi, hogy a motor ne indulhasson be véletlenül.

## Biztonsági utasítások a karbantartáshoz



**FIGYELMEZTETÉS:** A helytelen karbantartás a motor súlyos károsodását vagy súlyos személyi sérülést okozhat.

A tulajdonos felelős a használati utasításban meghatározott valamennyi szükséges karbantartás elvégzéséért. Karbantartási munkák végzése előtt húzza le a gyertyapipát. Ne húzza le a gyertyapipát a karburátor beállítása előtt.

## Összeszerelés



**FIGYELMEZTETÉS:** Olvassa el a biztonságról szóló fejezetet, mielőtt összeszerelné a terméket.

### A fúvócső és a fúvóka felszerelése a termékre

**Megjegyzés:** A csavarnak elég lazának kell lennie, hogy a fúvócső becsúszatható legyen a fúvókimenetbe. A meglazításához forgassa a csavart az óramutató járásával ellentétes irányba.

1. A felső fúvócsövön lévő bordát illessze a fúvókimeneten található horonyhoz. Mozgatással tolja be a csövet a helyére.
2. A cső rögzítéséhez forgassa a csavart az óramutató járásával megegyező irányba.

**Megjegyzés:** Az anya meghúzásához ne használjon semmilyen eszközt.

3. Illessze az alsó fúvócső nyílásait egy vonalba az alsó fúvócső füleivel. Csúsztassa az alsó fúvócsövet a felső fúvócsőre.
4. Fordítsa el az alsó fúvócsövet az óramutató járásával egyező irányba kattánásig.

### A gyújtózsák felszerelése különböző szívócsövek esetén



**FIGYELMEZTETÉS:** Állítsa le a motort, mielőtt csatlakoztatja a csöveket a termékhez.

#### A gyújtózsák összeszerelése

1. Nyissa ki a gyújtózsákot.
2. Illessze be a gyújtózsák csövet a zsák belseje felől úgy, hogy illeszkedjen a szívónyílás bemenetébe.
3. Ügyeljen arra, hogy a gumis rész a horonyba illeszkedjen (A).

4. Húzza be a zsák cipzárját. (ábra 18)

#### A gyújtózsák csövének felszerelése

1. Távolítsa el a fúvócsövet (ha fel van szerelve).
2. Igazítsa a gyújtózsák csövén lévő bordát (A) a fúvókimeneten (B) található horonyba.
3. Nyomja rá teljesen a gyújtózsák csövet a fúvókimenetre.
4. Helyezze az anyát (C) a nyílásába.
5. A cső rögzítéséhez helyezze be a csavart (D), majd szorítsa meg egy csavarhúzó segítségével. (ábra 19)

#### A szívócsövek egymáshoz rögzítése

1. Igazítsa egymáshoz az alsó szívócsövön lévő nyilat (A) és a felső szívócsövön lévő nyilat (B).
2. Nyomja bele az alsó szívócsövet a felső szívócsőbe.
3. Egy csavarhúzó segítségével csavarozza be a két csövet összetartó önmetsző csavart (C). (ábra 20)

#### A szívócsövek felszerelése

1. Dugja be egy csavarhúzó hegyét a szívónyíláson található reteszelő részbe.
2. Fordítsa el a csavarhúzót a retesz kioldásához. (ábra 21)
3. A szívónyílás fedelét nyitva tartva csatlakoztassa a felső szívócsövet.
4. Igazítsa a szívónyílás belsejében lévő bordákat a felső szívócső nyílásaira. Ügyeljen arra, hogy a csövön lévő lakat szimbólum egy vonalba kerüljön a szívónyíláson lévő nyitott lakat szimbólummal. (ábra 22)
5. Nyomja rá teljesen a felső szívócsövet a szívónyílásra.
6. Fordítsa el a felső szívócsövet az óramutató járásával megegyező irányba, amíg a csövön lévő lakat szimbólum egy vonalba nem kerül a szívónyíláson lévő lakat szimbólummal. A cső megfelelő rögzülését egy kattánás jelzi. (ábra 23)

## Üzemeltetés



**FIGYELMEZTETÉS:** Olvassa el és értelmezze a biztonságról szóló fejezetet, mielőtt használni kezdené a terméket.

# Üzemanyag

## Az üzemanyag használata



**VIGYÁZAT:** A termékben kétütemű motor működik. Használjon üzemanyagként benzint és kétütemű motorolaj keverékét. Ügyeljen a megfelelő keverési arányra. A benzin és az olaj nem megfelelő aránya károsíthatja a motort.

## Benzin



**VIGYÁZAT:** Ne használjon 90 RON (87 AKI) oktánszámúnál gyengébb benzint. Ezzel kárt tehet a termékben.



**VIGYÁZAT:** Ne használjon olyan benzint, ami több mint 10% etanolt tartalmaz (E10). Ezzel kárt tehet a termékben.



**VIGYÁZAT:** Ne használjon ólmozott benzint. Ezzel kárt tehet a termékben.

- Használjon friss, minimum 90 RON (87 AKI) oktánszámú és 10%-nál kevesebb etanolt (E10) tartalmazó, ólmozatlan benzint.
- Használjon magasabb oktánszámú benzint, ha gyakran használja a terméket folyamatosan magas fordulatszámon.
- Mindig jó minőségű ólmozatlan benzin és olaj keverékét használja.

## Kétütemű motorolaj

- Csak kiváló minőségű kétütemű motorolajat használjon. Csak léghűtéses motorba való motorolajat használjon.
- Ne használjon másféle olajat.
- A keverési arány 50:1-hez (2%).

Benzin	Olaj
1 amerikai gallon	77 ml (2,6 oz)
1 angol gallon	95 ml (3,2 oz)
5 l	100 ml (3,4 oz)

## Keverék üzemanyag előállítás

**Megjegyzés:** A benzint és az olajat mindig tiszta tartályban keverje.

**Megjegyzés:** Egyszerre ne keverjen be több üzemanyagot, mint amit 30 nap alatt elhasznál.

1. Töltse be a benzin fele mennyiségét.

2. Töltse be a teljes olajmennyiséget.
3. Rázza össze az üzemanyag-keveréket, hogy az alkotóelemek összekeveredjenek.
4. Töltse be a maradék benzint.
5. Rázza össze az üzemanyag-keveréket, hogy az alkotóelemek összekeveredjenek.
6. Töltse fel az üzemanyagtartályt.

## Tankolás

- Mindig túlcsoordulás-védelemmel ellátott üzemanyagtartályt használjon.
- Ha maradt a tartályban, távolítsa el a nem kívánt üzemanyagot és szárítsa ki a tartályt.
- A tanksapka körüli területet tisztítsa le.
- Rázza össze maga előtt az üzemanyagtartályt, és tankolja meg a gépet az üzemanyag-keverékkel.

## Indítás és leállítás

### A motor beindítása előtt

- Vizsgálja át a terméket hiányzó, sérült, meglazult vagy elhasználódott alkatrészek tekintetében.
- Vizsgálja át a gyújtózsákot. Ellenőrizze a gyújtózsák épségét, és hogy zárva van-e a cipzára.
- Ellenőrizze az anyákat és csavarokat.
- Ellenőrizze a levegőszűrőt.
- Ellenőrizze a gázadagoló megfelelő működését.
- Ellenőrizze a leállító kapcsoló megfelelő működését.
- Ellenőrizze a terméket, nem szívárog-e belőle az üzemanyag.

### Hideg motor indítása



**FIGYELMEZTETÉS:** Ne tekerje az indítószinórt a karja köré.



**VIGYÁZAT:** Ne a lábával tartsa a terméket.



**VIGYÁZAT:** Az indítószinórt ne húzza ki végállásba. Az indítószinór kihúzását követően ne engedje el a szinór fogantyúját. Ez a termék károsodását okozhatja.

**Megjegyzés:** Ha a motor nem indul be, a hidegindító kart állítsa zárt helyzetbe, és végezze el újra az indítás lépéseit.

1. Töltse fel az üzemanyagtartályt tiszta üzemanyag-keverékkel.
2. Nyomja meg 10-szer az üzemanyagpumpát. (ábra 24)
3. Állítsa a szívatókart TELJES SZÍVATÓ (zárt) helyzetbe. (ábra 25)

- Tolja el az állítható fordulatszám-szabályzót az óramutató járásával ellentétes irányba ütközésig. (ábra 26)
- Nyomja a géptestet bal kézzel a talajnak.
- Húzza meg az indítózsinór fogantyúját, amíg a motor meg nem próbál beindulni. Háromnál több alkalommal ne húzza meg.
- Állítsa a hidegindító kart féllállásba, majd húzza meg akár többször az indítózsinór fogantyúját, amíg a motor be nem indul. (ábra 27)
- Járassa a motort körülbelül 10 másodpercig.
- A gázadagolót nyomja be, és a további lépések alatt tartsa így.
- A hidegindító kart állítsa FOJTÁS KI (nyitott) helyzetbe. (ábra 28)
- Melegítse a motort maximum 1 percig.

### Meleg motor indítása

- A gázadagolót nyomja be, és tartsa úgy.
- A hidegindító kart állítsa féllállásba.
- A gázadagolót benyomva tartva húzza meg az indítófogantyút, amíg a motor be nem indul.
- A hidegindító kart állítsa FOJTÁS KI (nyitott) helyzetbe.

### A motor leállítása

- Nyomja meg és engedje fel a motor STOP (Leállító) kapcsolóját. A kapcsoló automatikusan visszaáll ON (Be) pozícióba. Várjon 7 másodpercet, mielőtt megpróbálja újraindítani a terméket, hogy a kapcsoló biztosan visszaálljon.

### Fúvóka használata

- Amikor nagyobb pontosságra és nagy légáram-koncentrációra van szükség, használja a standard fúvókát. (ábra 29)
- Amikor szélesebb légáramra és nagy levegősebességre van szükség, használja a nagysebességű fúvókát. (ábra 30)

### A lombfúvó fúvóka beállítása

- Csavarja el balra a fúvókát a bajonettzár oldásához.

- Állítsa a fúvókát a megfelelő helyzetbe.
- Csavarja el jobbra a fúvókát kattanásig.

### Szívás

A szívás megkezdése előtt tegye fel az előírt biztonsági felszerelést.



**FIGYELMEZTETÉS:** Ellenőrizze a gyűjtőzsák épségét, és hogy zárva van-e a cipzára. Sérült gyűjtőzsákat ne használjon. Ezzel megakadályozhatók a repülő törmelék által okozott sérülések. A bal kézzel történő működtetés növeli a kockázatot. Ügyeljen rá, hogy ne érjen a kilépő nyílás környékéhez.



**FIGYELMEZTETÉS:** Ne indítsa be az avarporszívót, ha a nyílásfedél nyitva van vagy ha meg van sérülve (kivéve, ha szívócső került felszerelésre).

- A lombfúvó üzemeltetésekor a gyűjtőzsákat a hevederrel kell tartani. A hevedernek a vállán kell lennie.
- Indítsa be a berendezést. Tartsa be az indítást és a leállítást ismertető fejezetben olvasható utasításokat *Indítás és leállítás 140. oldalon*. Olvassa el a biztonsági utasításokat *Biztonság 136. oldalon*.

### A gyűjtőzsák ürítése



**FIGYELMEZTETÉS:** Vizsgálja át mindig a gyűjtőzsákat. Ellenőrizze használat előtt az épségét, és hogy zárva van-e a cipzára. Ne használjon sérült gyűjtőzsákat. Sérülésveszély áll fenn, ha a törmelék a levegőbe kerül. Legyen óvatos, ha bal kézzel működteti a készüléket. Ne nyúljon a kilépő nyílás környékéhez.

- Állítsa le a terméket.
- Nyissa ki oldalt a zsák cipzárját.
- Ürítse ki a gyűjtőzsákat.
- Húzza vissza a cipzárát.

## Karbantartás



**FIGYELMEZTETÉS:** A termék javítása vagy karbantartása előtt olvassa el és értelmezze a biztonsággal foglalkozó fejezetet.

### Karbantartási ütemterv

Feltétlenül tartsa be a karbantartási ütemtervet. Az intervallumok meghatározásakor a termék napi használatát feltételeztük. Ha nem használja a terméket naponta, az intervallumok eltérőek. Csak azt a

karbantartási munkát végezze el, amire a kézikönyvben utasítást talál. A kézikönyvben nem található egyéb karbantartási munkákkal keresse fel a hivatalos szakszervizt.

### Napi karbantartás

- Tisztítsa meg a külső felületeket.
- Vizsgálja meg a fordulatszám-szabályzó és a gázadagoló működését. Cserélje a sérült alkatrészeket.

- Ellenőrizze a leállítókapcsolót. Ha szükséges, cserélje ki.
- Ellenőrizze az alapjárat fordulatszámot.
- Légszűrő tisztítása. Ha szükséges, cserélje ki.
- Ügyeljen rá, hogy a nyílásfedél szorosan lezárható legyen. Gondoskodjon a járókerék tisztaságáról.
- Húzza meg a csavarokat és az anyákat.
- A készülékházon ellenőrizze, hogy nincs-e rajta repedés.
- Ellenőrizze a gyújtózsák épségét, és hogy működik-e a cipzára. Szükség esetén cserélje ki a gyújtózsákot.

#### Heti karbantartás

- Ellenőrizze az indítószerkezet állapotát, az indítószinört és a visszahúzó rugót. Cserélje ki a meghibásodott alkatrészeket.
- Ellenőrizze az indítószerkezeten a levegőbemenet állapotát. Távolítsa el a törmelékot, ha a levegőbeömlő nyílás eltömődött.
- Tisztítsa meg a gyújtógyertya külsőjét. Szerelje ki a gyertyát és ellenőrizze a szikrakózt. A hézagot állítsa be 6 mm értékre, vagy cserélje ki a gyújtógyertyát.
- Tisztítsa meg a járókerék késeit.
- Tisztítsa meg, szükség esetén cserélje ki a kipufogódob szikrafogó hálóját (katalizátoros kipufogódobokon ne).
- Tisztítsa meg a karburátor környékét.
- Légszűrő tisztítása.

#### Havi karbantartás

- Ellenőrizze az indítószinört és a fogantyúját.
- Tisztítsa meg az üzemanyagtartályt.
- Tisztítsa meg a karburátort és annak környezetét.
- Tisztítsa meg a járókerék késeit.
- Ellenőrizze az üzemanyag-csővezetéseket repedések és bármely egyéb sérülés szempontjából. Cserélje ki, ha szükséges
- Tisztítsa meg az üzemanyagtartályban lévő üzemanyagszűrőt.
- Ellenőrizze az összes kábelt és csatlakozót.
- Cserélje le a gyújtógyertyát.
- Cserélje ki a légszűrőt.

#### Éves karbantartás

- Ellenőrizze a gyújtógyertyát.
- Tisztítsa meg a karburátor külső felületét és a környezetét.
- Tisztítsa ki a hűtőrendszert.
- Ellenőrizze a szikrafogó hálót.
- Ellenőrizze az üzemanyagszűrőt.
- Ellenőrizze az üzemanyag-vezeték épségét.
- Ellenőrizze az összes kábelt és csatlakozót.

#### 50 Üzemórás karbantartás

- Javíttassa meg vagy cseréltesse ki hivatalos szakszervizben a kipufogódobot.

## Az alapjárat fordulatszám beállítása

- Az alapjárat fordulatszám beállítása előtt gondoskodjon arról, hogy tiszta legyen a levegőszűrő és fel legyen szerelve a légszűrő fedél.
- Az alapjárat fordulatszám beállításához használja az alapjárat fordulatszám beállító T csavart (ami „T” jelzéssel rendelkezik).
- Az alapjárat fordulatszám akkor van helyesen beállítva, ha a motor minden helyzetben egyenletesen jár.

(ábra 31)

1. Forgassa az óramutató járásával egyező irányba az alapjárat fordulatszám beállító csavart a magasabb fordulatszámhoz.
2. Forgassa az óramutató járásával ellenkező irányba az alapjárat fordulatszám beállító csavart az alacsonyabb fordulatszámhoz.

## A szikrafogó háló karbantartása

A szikrafogó háló tisztítását végezze drótkéfével.

## A hűtőrendszer kitisztítása.

(ábra 32)

Tisztítsa meg a hűtőrendszer alkatrészeit ecsettel.

## A gyújtógyertya ellenőrzése.



**VIGYÁZAT:** Használja mindig az előírt típusú gyújtógyertyát. A nem megfelelő gyújtógyertya károsíthatja a terméket.

- Vizsgálja meg a gyújtógyertyát, ha gyenge a motor, nehezen indul, vagy egyenetlen az alapjárata.
- A gyújtógyertya elektródái közötti lerakódások kialakulásának csökkentése érdekében tartsa be az alábbi utasításokat:
  - a) gondoskodjon az alapjárat fordulatszám megfelelő beállításáról;
  - b) gondoskodjon a megfelelő üzemanyag-keverékről;
  - c) gondoskodjon a levegőszűrő tisztaságáról.
- Ha a gyújtógyertya piszkos, tisztítsa meg, és ellenőrizze, hogy a szikraköz megfelelő-e, lásd: *Műszaki adatok 143. oldalon.* (ábra 33)
- Szükség esetén cserélje ki a gyújtógyertyát.

## A levegőszűrő karbantartása

### A levegőszűrő megtisztítása

1. Távolítsa el a levegőszűrő fedelét és a levegőszűrőt. (ábra 34)
2. Meleg szappanos víz segítségével tisztítsa meg a levegőszűrőt. A levegőszűrőt teljesen szárazon szerelje csak vissza.

3. Cserélje ki a levegőszűrőt, ha túlságosan elszennyeződött a kitisztításához. Mindig cserélje ki a sérült levegőszűrőt.

4. Ha a termék levegőszűrője szivacs, tegyen rá légszűrőolajat. Csak szivacs levegőszűrőre tegyen légszűrőolajat. Filc szűrőre ne tegyen olajat.

## Műszaki adatok

	mérté- kegy- ség	125B (125B28HV)	125BX (125B28HV)	125BVX (125B28HV)
<b>A motor adatai</b>				
Hengerűrtartalom	cm <sup>3</sup>	28	28	28
Elektródahézag	mm	0,6	0,6	0,6
Üzemanyagtartály űrtartalma	cm <sup>3</sup>	500	500	500
Alapjáratú fordulatszám	min <sup>-1</sup>	2800–3200	2800–3200	2800–3200
Maximális teljesítményhez tartozó fordulatszám	min <sup>-1</sup>	8000	8000	8000
Teljesítmény	kW	0,8	0,8	0,8
Gyújtógyertya		Champion RCJ-6Y	Champion RCJ-6Y	Champion RCJ-6Y
Maximális fordulatszám fűvő üzemmódban	min <sup>-1</sup>	8600	8600	8600
Maximális fordulatszám szívó üzemmódban	min <sup>-1</sup>	--	7500	7500
Kibocsátástartóssági időtartam	óra	125	125	125
<b>Zaj és vibráció adatok</b>				
Egyenértékű rezgésszint a fogantyúknál, felszerelt (eredeti) fűvőcsövekkel és fűvőkával – lásd az 1. megjegyzést	m/s <sup>2</sup>	11,03	11,03	11,03
Egyenértékű rezgésszint a fogantyúknál, felszerelt (eredeti) szívócsövekkel, bal/jobbs - lásd az 1. megjegyzést	m/s <sup>2</sup>	--/--	12,16/12,29	12,16/12,29
A kezelő hallószervére gyakorolt, ISO 22868 szerint mért hangnyomásszint, felszerelt (eredeti) fűvőcsövekkel és fűvőkával – lásd a 3. megjegyzést	dB(A)	96	96	96
A közelben tartózkodók hallószervére gyakorolt, ANSI B175.2 szerint mért hangnyomás, felszerelt (eredeti) fűvőcsövekkel és fűvőkával	dB(A)	71	71	71
Hangteljesítményszint, mért - lásd a 2. megjegyzést	dB(A)	109	109	109
Hangteljesítményszint, garantált (L <sub>WA</sub> ) - lásd a 2. megjegyzést	dB(A)	112	112	112
<b>Termék méretei</b>				
Tömeg (üzemanyag, fűvőcső és a szabványos fűvőka nélkül)	kg	4,3	4,4	4,4

**1. megjegyzés:** Az ekvivalens rezgésszintre vonatkozó jelentési adatok az 1 m/s<sup>2</sup> tipikus statisztikus ingadozásával (szórásával) rendelkeznek.

**2. megjegyzés:** A környezetben a 2000/14/EK sz. EK irányelvvel összhangban hangteljesítményként mért zajkibocsátás (L<sub>WA</sub>). A gép jelentésben szereplő hangteljesítményszintjét a legmagasabb szintet produkáló eredeti felszereléssel mérték. A garantált és a mért hangteljesítmény közötti különbségnek az az oka, hogy a garantált hangteljesítmény tartalmazza a mérési eredményben lévő ingadozást és az azonos modellű gépek közti eltéréseket is a 2000/14/EK jelű irányelv értelmében.

**3. megjegyzés:** A gép ekvivalens hangnyomásszintjére vonatkozó jelentési adatok az 1 dB (A) tipikus statisztikus ingadozásával (szórásával) rendelkeznek.

Ventilátor	Mértékegység	125B	125BX	125BVX
Típus		Radiális ventilátor	Radiális ventilátor	Radiális ventilátor
Max. levegősebesség, normál fúvóka	km/h	217	217	217
Max. levegősebesség, nagysebességű fúvóka*	km/h	273	273	273
Levegőmennyiség fúvás üzemmódban	cfm	425	425	425
Levegőmennyiség szívás üzemmódban	cfm	--	445	445

\*külön megvásárolható tartozék egyes modelleknél

---

## Tartozékok

---

125B, 125BX, 125BVX	
<b>Jóváhagyott tartozékok</b>	<b>Típus</b>
Garattisztító készlet	952 711 918
125BX, 125BX	
<b>Jóváhagyott tartozékok</b>	<b>Típus</b>
Porszívó szett	952 711 913
125B	
<b>Jóváhagyott tartozékok</b>	<b>Típus</b>
Nagysebességű fúvóka	545 119 501

---

## Az EK-megfelelőségi nyilatkozat tartalma

---

A Husqvarna AB, SE 561 82 Huskvarna, SWEDEN, a saját felelősségére kijelenti, hogy a jelzett termék:



<b>Leírás</b>	<b>Gasoline Blower/ Blower-Vacuum</b>
Márka	Husqvarna
Platform / Típus / Modell	125B28HV platform, mely az alábbi típusokat képviseli: 125B, 125BX, 125BVX
Sarzs	2019-es és újabb sorozatszámok

teljes mértékben megfelel a következő EU-irányelveknek és rendeleteknek:

<b>Irányelv/rendelet</b>	<b>Leírás</b>
2006/42/EC	„gépre vonatkozó”
2014/30/EC	„elektromágneses megfelelőségre vonatkozó”
2000/14/EC	„kültéri zajkibocsátásra vonatkozó”
2011/65/EU	„bizonyos veszélyes anyagok alkalmazásának korlátozásával kapcsolatos”

Az alábbi harmonizált szabványok és/vagy műszaki előírások kerültek alkalmazásra: EN ISO 12100, EN ISO 1186-1, CISPR 12, ISO 14982, EN 50581

A zajértékek a 2000/14/EC irányelv V. mellékletének megfelelően a használati utasításban, a műszaki adatok fejezetben, valamint az aláírt EK-megfelelőségi nyilatkozatban található.

A Intertek önkéntes vizsgálatot végzett a Husqvarna AB számára, és az alábbi megfelelőségi nyilatkozatot bocsátotta ki az Európai Tanács gépekre vonatkozó, 2006/42/EC irányelvére vonatkozóan.

Az aláírt EK-megfelelőségi nyilatkozatban található tanúsítvány a terméken jelzettek szerint minden gyártási helyre és országra érvényes.

A szállított Gasoline Blower/ Blower-Vacuum termék megfelel a vizsgálaton átesett példadarabnak.

---

# Sommario

---

Introduzione.....	146	Manutenzione.....	153
Sicurezza.....	147	Dati tecnici.....	154
Montaggio.....	150	Accessori.....	155
Utilizzo.....	151	Contenuto della Dichiarazione di conformità CE.....	156

---

## Introduzione

---

### Manuale operatore

La lingua iniziale del presente manuale operatore è l'inglese. I manuali operatore in altre lingue sono traduzioni dall'inglese.

(Fig. 1)

1. Accessorio tracolla (125BVX)
2. Grilletto acceleratore
3. Interruttore di arresto
4. Controllo del regime
5. Carter ventola
6. Tappo del serbatoio del carburante
7. Filtro dell'aria
8. Comando dell'aria
9. Bulbo di adescamento
10. Copertura della presa d'aria
11. Maniglia aspiratore (125BX e 125BVX)
12. Taglienti (125BX e 125BVX)
13. Girante ventola
14. Ugello standard
15. Ugello a elevata velocità (125BX e 125BVX)
16. Tubo dello spazzafoglie
17. Bullone di serraggio del tubo
18. Dadi di serraggio del tubo
19. Marmitta
20. Filo di terra
21. Impugnatura di avviamento
22. Dispositivo di avviamento
23. Viti di regolazione carburatore
24. Manuale operatore
25. Dispositivo di aspirazione con componenti di raccolta costituito dagli elementi 26-30 indicati di seguito
26. Tubo del sacco di raccolta
27. Sacco di raccolta
28. Tubo di aspirazione in due sezioni
29. Vite
30. Tracolla

### Simboli riportati sul prodotto

(Fig. 2) Avvertenza

(Fig. 3) Leggere il presente manuale

### Panoramica

(Fig. 4) Utilizzare cuffie protettive omologate

(Fig. 4) Utilizzare protezioni per gli occhi omologate

(Fig. 4) Utilizzare una mascherina protettiva omologata

(Fig. 5) Utilizzare guanti protettivi omologati

(Fig. 6) Il prodotto può causare l'espulsione di oggetti, che può risultare pericolosa per gli occhi

(Fig. 7) Distanza di sicurezza

(Fig. 8) Non avvicinarsi alla girante mentre è in funzione

(Fig. 9) Non consentire ai bambini di avvicinarsi al prodotto

(Fig. 10) Livello di potenza acustica

(Fig. 11) Livello acustico

(Fig. 12) Raccogliere i capelli lunghi al di sopra delle proprie spalle

(Fig. 13) Il prodotto è conforme alle direttive CE vigenti

(Fig. 14) Il prodotto è conforme alle direttive EAC vigenti

(Fig. 15) Il prodotto è conforme alle direttive vigenti in Ucraina

---

**Nota:** I restanti simboli/decalcomanie sul prodotto riguardano particolari requisiti necessari per ottenere la certificazione in altre aree commerciali.

---

### Emissioni Euro V



**AVVERTENZA:** La manomissione del motore rende nulla l'omologazione UE del prodotto.

---

## Responsabilità del prodotto

Come indicato nelle leggi vigenti in materia di responsabilità obbligatoria sul prodotto, non siamo responsabili per eventuali danni causati dal nostro prodotto se:

- Il prodotto viene riparato in modo errato.

- Il prodotto viene riparato con parti che non provengono o non sono omologate dal produttore.
- Il prodotto contiene un accessorio che non proviene o non è omologato dal produttore.
- Il prodotto non viene riparato presso un centro di assistenza autorizzato o presso un'autorità competente.

---

## Sicurezza

---

### Definizioni di sicurezza

Le definizioni riportate di seguito forniscono il livello di gravità per ciascuna delle parole di avvertenza.



**AVVERTENZA:** Lesioni alle persone.



**ATTENZIONE:** Danni al prodotto.

**Nota:** Queste informazioni rendono più semplice l'uso del prodotto.

### Istruzioni di sicurezza generali



**AVVERTENZA:** Leggere le seguenti avvertenze prima di utilizzare il prodotto.

- Utilizzare il prodotto in modo corretto. Un uso improprio può causare lesioni o la morte. Utilizzare il prodotto solo per le attività riportate nel presente manuale. Non utilizzare il prodotto per altre attività.
- Attenersi alle istruzioni contenute nel presente manuale. Rispettare i simboli di sicurezza e le istruzioni di sicurezza. In caso di mancata osservanza delle istruzioni e dei relativi simboli, si potrebbero causare lesioni personali, danni o la morte.
- Non gettare il presente manuale. Utilizzare le istruzioni per assemblare, azionare e mantenere il prodotto in buone condizioni. Utilizzare le istruzioni per installare correttamente attrezzature e accessori. Utilizzare esclusivamente attrezzature e accessori omologati.
- Non utilizzare un prodotto danneggiato. Attenersi al programma di manutenzione. Eseguire solo gli interventi di manutenzione riportati nelle istruzioni di questo manuale. Tutti gli altri interventi di manutenzione devono essere effettuati da un centro di assistenza autorizzato.
- Il presente manuale non include tutte le situazioni che possono verificarsi quando si utilizza il prodotto. Prestare la massima attenzione e usare il buon senso. Non utilizzare il prodotto o eseguire interventi di manutenzione sul prodotto se non si è sicuri. Per ulteriori informazioni parlare con un esperto del prodotto, il vostro rivenditore, l'officina o il centro di assistenza autorizzato.
- Scollegare il cavo della candela prima di assemblare il prodotto, conservarlo in magazzino o eseguire la manutenzione.
- Non utilizzare il prodotto se è stato modificato in qualche modo rispetto alle caratteristiche iniziali. Non sostituire una parte del prodotto senza previa approvazione del produttore. Utilizzare esclusivamente parti approvate dal produttore. Una manutenzione impropria può causare lesioni o la morte.
- Non respirare i fumi provenienti dal motore. L'inalazione prolungata dei fumi di scarico del motore è dannosa per la salute.
- Non avviare il prodotto in ambienti chiusi o vicino a materiale infiammabile. I fumi di scarico sono molto caldi e possono contenere scintille in grado di provocare incendi. Un flusso d'aria insufficiente può causare lesioni o la morte dovute ad asfissia o al monossido di carbonio.
- Quando si utilizza questo prodotto, il motore genera un campo elettromagnetico. Il campo elettromagnetico può danneggiare gli impianti medici. Rivolgersi al medico e al produttore degli impianti medici prima di utilizzare il prodotto.
- Non consentire ai bambini di utilizzare il prodotto. Non permettere a nessuno che non conosca le istruzioni di utilizzare il prodotto.
- Assistere sempre una persona, con capacità fisica o mentale ridotta, quando utilizza il prodotto. È necessaria sempre la supervisione di un adulto responsabile.
- Conservare il prodotto in un'area a cui bambini o persone non autorizzate non possano accedere.
- Il prodotto può espellere oggetti e causare lesioni. Attenersi alle istruzioni di sicurezza per ridurre il rischio di lesioni o morte.
- Non allontanarsi dal prodotto con il motore in funzione.
- L'operatore del prodotto è responsabile in caso di incidente.
- Verificare che i componenti non siano danneggiati prima di utilizzare il prodotto.
- Tenersi a una distanza di almeno 15 m (50 piedi) da persone o animali prima di utilizzare il prodotto.

Verificare che le persone circostanti siano a conoscenza del fatto che il prodotto verrà azionato.

- Fare riferimento alle normative nazionali o locali, in quanto possono impedire o limitare il funzionamento del prodotto in determinate condizioni.
- Non utilizzare il prodotto quando si è stanchi, o sotto effetto di alcool, farmaci o medicinali. Essi possono avere effetti negativi sulla concentrazione, la vista, la capacità di valutazione o di coordinazione.

## Sicurezza delle vibrazioni

Questo prodotto può essere utilizzato solo occasionalmente. L'utilizzo continuo o regolare del prodotto può causare la "sindrome del dito bianco" o problemi medici equivalenti causati dalle vibrazioni. In caso di utilizzo continuo o regolare del prodotto, esaminare la condizione delle mani e delle dita. Se le mani o le dita appaiono bianche, doloranti, formicolanti o intorpidite, interrompere il lavoro e rivolgersi immediatamente a un medico.

## Istruzioni di sicurezza per l'utilizzo del soffiatore

- Utilizzare il prodotto solo per soffiare o rimuovere foglie e detriti dal terreno.
- Non utilizzare il prodotto quando si è stanchi, ammalati o sotto gli effetti di alcool, farmaci o medicinali.
- Non lasciare che persone o animali sostino a meno di 15 m (50 piedi) dall'operatore.
- Il prodotto può espellere oggetti ad alta velocità che possono rimbalzare e colpire l'operatore. Ciò può causare danni agli occhi.
- Non indirizzare l'ugello del soffiatore verso persone o animali.
- Raccogliere i capelli lunghi al di sopra delle proprie spalle.
- Spegnerne il motore prima di montare o smontare gli accessori o altri componenti.
- Non utilizzare il prodotto senza la protezione.
- Non utilizzare il prodotto in presenza di persone nell'area di lavoro. Arrestare il prodotto nel caso in cui una persona entri nell'area di lavoro.
- Non utilizzare il prodotto in uno spazio con un flusso d'aria insoddisfacente. Un flusso d'aria insufficiente può causare lesioni o la morte dovute ad asfissia o al monossido di carbonio.
- La marmitta è particolarmente calda durante l'utilizzo del prodotto, dopo lo spegnimento e durante il funzionamento al regime minimo. Prestare attenzione in prossimità di materiali e fumi infiammabili.
- Non toccare l'area della copertura della presa d'aria. Tenere lontano dall'area della presa d'aria gioielli e indumenti larghi.
- Mantenere sempre una postura corretta e utilizzare il prodotto solo su superfici sicure e piane. Superfici scivolose o instabili, come ad esempio scale,

possono causare la perdita dell'equilibrio o del controllo.

- Non utilizzare il prodotto in una zona elevata, ad esempio su un tetto.
- Mettere in sicurezza il prodotto durante il trasporto.
- Utilizzare il prodotto solo agli orari consigliati. Rispettare le norme locali. Gli orari generalmente consigliati sono dalle 9:00 alle 17:00, dal lunedì al sabato.
- Azionare il prodotto con l'acceleratore al minimo per eseguire il lavoro.
- Assicurarsi di essere stabili e non correre il rischio di cadere durante l'uso del prodotto. Non inclinarsi durante l'uso del prodotto.
- Prima dell'utilizzo, assicurarsi che il prodotto sia in buone condizioni, in particolar modo la marmitta, la presa d'aria e il filtro dell'aria.
- Usare un rastrello o una scopa per sollevare i detriti dal terreno prima di utilizzare del prodotto.
- Se l'area di lavoro è sporca, irrorarla con un tubo.
- Utilizzare il prodotto come alternativa al tubo per risparmiare acqua.
- Soffiare i detriti in modo sicuro. Prestare attenzione a bambini, animali, finestre aperte o veicoli.
- Non puntare il prodotto su piante facilmente danneggiabili.
- Non soffiare l'aria in direzione di oggetti quali pareti, grandi pietre, veicoli e recinti.
- Se si lavora in angoli interni soffiare dall'angolo e al centro dell'area di lavoro. In caso contrario, i detriti possono colpire il viso e causare lesioni agli occhi.
- Utilizzare la massima estensione dell'ugello in modo da mantenere il flusso d'aria in prossimità del terreno.
- È necessario che le persone nelle vicinanze indossino una protezione per gli occhi.
- Gettare i detriti nei cassonetti dopo l'utilizzo del prodotto.

## Istruzioni di sicurezza per l'utilizzo dell'aspiratore

- Evitare di danneggiare la ventola. Non aspirare oggetti solidi e di grandi dimensioni quali legno, lattine, pacciami di gomma o lunghi pezzi di corda.
- Non lasciare che il tubo di aspirazione urti il terreno.
- Spegnerne il motore e scollegare il cappuccio della candela prima di rimuovere un'ostruzione o del materiale intasato.

## Abbigliamento protettivo personale

- Indossare sempre abbigliamento protettivo personale durante l'utilizzo del prodotto. L'abbigliamento protettivo personale non elimina completamente il rischio di lesioni. L'abbigliamento protettivo personale riduce il grado di lesioni in caso di incidente.

- Utilizzare sempre una protezione per gli occhi omologata durante l'utilizzo del prodotto.
- Non utilizzare mai il prodotto a piedi nudi o con calzature aperte. Utilizzare sempre robusti stivali antiscivolo.
- Utilizzare pantaloni lunghi di tessuto pesante.
- Se necessario, utilizzare guanti protettivi omologati.
- Utilizzare un elmetto in caso di possibile caduta di oggetti in testa.
- Utilizzare sempre protezioni acustiche omologate durante l'uso del prodotto. Un rumore prolungato può provocare la perdita dell'udito.
- Utilizzare sempre una mascherina protettiva omologata durante l'utilizzo del prodotto in ambienti polverosi.
- Tenere sempre a portata di mano la cassetta di pronto soccorso.
- Non toccare le parti della marmitta se danneggiata. Le parti possono contenere alcune sostanze chimiche cancerogene.
- Alcuni modelli di soffiatore sono dotati di uno schermo parascintille. Pulire e sostituire lo schermo agli intervalli specificati. Vedere la sezione Manutenzione (*Manutenzione alla pagina 153*). (Fig. 17)

## Sicurezza durante l'uso del carburante

- Non avviare il prodotto nel caso in cui vi sia carburante o olio motore su di esso. Rimuovere il carburante/olio indesiderato e lasciare che il prodotto si asciughi. Rimuovere il carburante indesiderato dal prodotto.
- In caso di perdite di carburante sugli indumenti, cambiarsi immediatamente.
- Il carburante non deve arrivare a contatto con il corpo, poiché può causare lesioni. In caso di contatto del carburante con il corpo, rimuoverlo con acqua e sapone.
- Non avviare il motore in caso di contatto dell'olio o del carburante con il prodotto o con il proprio corpo.
- Non avviare il prodotto se il motore presenta una perdita. Esaminare regolarmente il motore per verificare la presenza di eventuali perdite.
- Prestare la massima attenzione con il carburante. Il carburante è infiammabile e i fumi sono esplosivi quindi possono causare lesioni o morte.
- Non respirare i fumi del carburante perché possono causare lesioni. Accertarsi che ci sia un flusso d'aria sufficiente.
- Non fumare in prossimità del carburante o del motore.
- Non posizionare oggetti caldi in prossimità del carburante o del motore.
- Non aggiungere carburante a motore acceso.
- Assicurarsi che il motore sia freddo prima di effettuare il rifornimento.
- Prima di effettuare il rifornimento, aprire lentamente il tappo del serbatoio del carburante e rilasciare la pressione con cautela.
- Non aggiungere carburante al motore in un ambiente chiuso. Un flusso d'aria insufficiente può causare lesioni o la morte dovute ad asfissia o al monossido di carbonio.
- Serrare il tappo del serbatoio del carburante con cautela, altrimenti potrebbe verificarsi un incendio.
- Prima dell'avviamento, spostare il prodotto di almeno 3 m (10 ft) dal punto in cui è stato riempito il serbatoio del carburante.
- Non rabboccare il serbatoio con una quantità eccessiva di carburante.
- Assicurarsi che non si verifichino perdite quando si sposta il prodotto o la tanica carburante.
- Non posizionare il prodotto o una tanica carburante in ambienti in cui siano presenti fiamme libere,

## Dispositivi di protezione sul prodotto

- Eseguire regolarmente la manutenzione del prodotto.
  - Ciò aumenta la durata del prodotto.
  - E riduce il rischio di incidenti.

Far esaminare il prodotto da un rivenditore o un centro di assistenza autorizzati per eventuali regolazioni o riparazioni.

- Non utilizzare un prodotto con abbigliamento protettivo danneggiato. Se il prodotto è danneggiato, rivolgersi a un centro di assistenza autorizzato.

## Interruttore di arresto

Avviare il motore. Accertarsi che il motore si spenga quando si porta l'interruttore in posizione di arresto. (Fig. 16)

## Marmitta



**AVVERTENZA:** Non toccare la marmitta se è ancora calda. La marmitta è particolarmente calda durante il funzionamento del motore e dopo lo spegnimento. Se si tocca la marmitta si corre il rischio di ustionarsi.

- Non utilizzare un motore con una marmitta danneggiata. Una marmitta danneggiata aumenta il livello acustico e il rischio di incendio. Tenere sempre un estintore a portata di mano.
- Controllare con regolarità che la marmitta sia collegata al prodotto.
- Non toccare il motore o la marmitta quando il motore è acceso. Non toccare il motore o la marmitta per alcuni istanti dopo lo spegnimento del motore. Superfici calde possono causare lesioni.
- Una marmitta calda può causare un incendio. Prestare la massima attenzione se si utilizza il prodotto in prossimità di liquidi infiammabili o fumi.

scintille o fiamme pilota. Assicurarsi che l'area di rimessaggio non contenga fiamme libere.

- Utilizzare solo contenitori omologati per spostare il carburante o riporlo in magazzino.
- Svuotare il serbatoio del carburante prima di lunghi periodi di stoccaggio. Attenersi alle leggi locali sullo smaltimento del carburante.
- Pulire il prodotto prima di un lungo periodo di stoccaggio.
- Rimuovere il cavo della candela prima di conservare il prodotto in magazzino per assicurarsi che il motore non si avvii accidentalmente.

## Istruzioni di sicurezza per la manutenzione



**AVVERTENZA:** La manutenzione impropria può dare luogo a gravi danni al motore o gravi lesioni personali.

Il proprietario è responsabile dell'esecuzione di tutte le operazioni di manutenzione necessarie specificate nel manuale operatore. Scollegare la candela prima di un intervento di manutenzione. Non scollegare la candela prima delle regolazioni del carburatore.

## Montaggio



**AVVERTENZA:** Leggere il capitolo sulla sicurezza prima di assemblare il prodotto.

### Per installare il tubo dello spazzafoglie e l'ugello sul prodotto

**Nota:** Il bullone deve essere sufficientemente allentato per poter inserire il tubo dello spazzafoglie nell'uscita del soffiatore. Ruotare il bullone in senso antiorario con un cacciavite per allentarlo.

1. Allineare la nervatura sul tubo dello spazzafoglie superiore con la scanalatura nell'uscita del soffiatore. Spostare il tubo in posizione.
2. Ruotare il bullone in senso orario con un cacciavite per fissare il tubo.

**Nota:** Non utilizzare alcun attrezzo sul dado.

3. Allineare gli incavi nel tubo dello spazzafoglie inferiore con le linguette nel tubo dello spazzafoglie superiore. Posizionare il tubo dello spazzafoglie inferiore sul tubo dello spazzafoglie superiore.
4. Ruotare il tubo dello spazzafoglie inferiore in senso orario finché non si sente uno scatto.

### Installazione del sacco di raccolta con diversi tubi di aspirazione



**AVVERTENZA:** Spegnerne il motore prima di fissare i tubi al prodotto.

#### Assemblaggio del sacco di raccolta

1. Aprire il sacco di raccolta.
2. Inserire il tubo dall'interno del sacco di raccolta adattandolo all'apertura di aspirazione.
3. Assicurarsi che l'elastico si posizioni nella scanalatura (A).
4. Chiudere la cerniera sul sacco. (Fig. 18)

#### Per montare il tubo del sacco di raccolta

1. Rimuovere il tubo del soffiatore, se collegato.
2. Allineare la nervatura sul tubo del sacco di raccolta (A) con la scanalatura all'uscita del soffiatore (B).
3. Spingere il tubo del sacco di raccolta completamente verso l'uscita del soffiatore.
4. Inserire il dado (C) nell'apertura.
5. Installare la vite (D) e serrarla con un cacciavite per fissare il tubo. (Fig. 19)

#### Fissaggio dei tubi di aspirazione

1. Allineare la freccia sul tubo di aspirazione inferiore (A) con la freccia sul tubo di aspirazione superiore (B).
2. Spingere il tubo di aspirazione inferiore nell'entrata del tubo superiore.
3. Utilizzare un cacciavite per installare la vite autofilettante (C) che tiene insieme i tubi. (Fig. 20)

#### Installazione dei tubi di aspirazione

1. Inserire la punta di un cacciavite nell'area di aggancio dell'entrata dell'aspiratore.
2. Ruotare il cacciavite per rilasciare il fermo. (Fig. 21)
3. Tenere aperto il coperchio di entrata dell'aspiratore finché non è in posizione il tubo di aspirazione superiore.
4. Allineare le nervature all'interno dell'entrata dell'aspiratore con le scanalature sul tubo di aspirazione superiore. Assicurarsi che il simbolo di blocco sul tubo sia allineato con il simbolo di sblocco sull'ingresso dell'aspiratore. (Fig. 22)
5. Spingere completamente il tubo di aspirazione superiore nell'entrata dell'aspiratore.
6. Ruotare il tubo di aspirazione superiore in senso orario fino a quando il simbolo di blocco sul tubo non si allinea con il simbolo di blocco sull'ingresso dell'aspiratore. Il tubo scatta quando è collegato correttamente. (Fig. 23)

## Utilizzo



**AVVERTENZA:** Leggere e comprendere il capitolo sulla sicurezza prima di utilizzare il prodotto.

### Carburante

#### Uso del carburante



**ATTENZIONE:** Questo prodotto è dotato di un motore a due tempi. Utilizzare una miscela di benzina e olio per motori a due tempi. Utilizzare la quantità di olio corretta nella miscela. Un rapporto non corretto di benzina e olio può causare danni al motore.

#### Benzina



**ATTENZIONE:** Non utilizzare mai benzina con un numero di ottani inferiore a 90 RON (87 AKI). Ciò può causare danni al prodotto.



**ATTENZIONE:** Non utilizzare benzina con una concentrazione di etanolo superiore al 10% (E10). Ciò può causare danni al prodotto.



**ATTENZIONE:** Non utilizzare benzina contenente piombo. Ciò può causare danni al prodotto.

- Utilizzare sempre benzina senza piombo nuova con un numero di ottani minimo di 90 RON (87 AKI) e con una concentrazione di etanolo inferiore al 10% (E10).
- Utilizzare benzina con numero di ottani superiore se si utilizza frequentemente il prodotto a un regime alto continuo.
- Utilizzare sempre una miscela di buona qualità di benzina senza piombo e olio.

#### Olio per motori a due tempi

- Utilizzare solo olio per motori a due tempi di alta qualità. Utilizzare solo olio per motori raffreddati ad aria.
- Non utilizzare altri tipi di olio.
- Rapporto miscela 50:1 (2%)

Benzina	Olio
1 U.S. Gal.	77 ml (2,6 oz)
1 UK Gal.	95 ml (3,2 oz)
5 l	100 ml (3,4 oz)

#### Per preparare la miscela di carburante

**Nota:** Utilizzare sempre una tanica carburante pulita quando si prepara una miscela di carburante.

**Nota:** Preparare una quantità di miscela necessaria al massimo per 30 giorni.

1. Aggiungere la metà della quantità di benzina.
2. Aggiungere la quantità totale di olio.
3. Agitare la miscela per mescolare il contenuto.
4. Aggiungere la quantità di benzina rimanente.
5. Agitare la miscela per mescolare il contenuto.
6. Riempire il serbatoio del carburante.

#### Per aggiungere carburante

- Utilizzare sempre una tanica carburante con valvola antigoccia.
- Nel caso in cui sulla tanica sia presente del carburante, rimuoverlo e far asciugare la tanica.
- Assicurarsi che l'area circostante il tappo del serbatoio del carburante sia pulita.
- Agitare la tanica carburante prima di aggiungere la miscela nel serbatoio del carburante.

### Per avviare e arrestare il motore

#### Prima di avviare il motore

- Verificare che non ci siano parti mancanti, danneggiate, allentate o usurate sul prodotto.
- Esaminare il sacco di raccolta. Assicurarsi che il sacco di raccolta non sia danneggiato e che la cerniera sia chiusa.
- Controllare i dadi, i bulloni e le viti.
- Controllare il filtro dell'aria.
- Verificare il corretto funzionamento del grilletto acceleratore.
- Verificare il corretto funzionamento dell'interruttore di arresto.
- Verificare eventuali perdite di carburante dal prodotto.

#### Per avviare il motore a freddo



**AVVERTENZA:** Non avvolgere il cavo di avviamento intorno al braccio.



**ATTENZIONE:** Non tenere il prodotto con il piede.



**ATTENZIONE:** Non tirare il cavo di avviamento nella posizione finale. Non lasciare andare l'impugnatura del cavo di avviamento quando il cavo è esteso. Il prodotto potrebbe danneggiarsi.

**Nota:** Se il motore si spegne, spostare il comando della valvola dell'aria nella posizione di chiusura e ripetere i passaggi dell'avviamento.

1. Riempire il serbatoio del carburante con una miscela pulita.
2. Premere il bulbo di adescamento 10 volte. (Fig. 24)
3. Spostare il comando della valvola dell'aria del motore in posizione FULL CHOKE (chiusura). (Fig. 25)
4. Spingere il controllo del regime variabile completamente in senso antiorario. (Fig. 26)
5. Usare la mano sinistra per premere il corpo della macchina contro il terreno.
6. Tirare l'impugnatura del cavo di avviamento finché il motore non si mette in moto. Non tirare più di 3 volte.
7. Spostare il comando della valvola dell'aria in posizione 1/2 e tirare l'impugnatura del cavo di avviamento fino a quando il motore non si avvia. (Fig. 27)
8. Far girare il motore per circa 10 secondi.
9. Tenere premuto il grilletto acceleratore a fondo per tutte le fasi rimanenti.
10. Spostare il comando della valvola dell'aria in posizione OFF CHOKE (apertura). (Fig. 28)
11. Lasciare riscaldare il motore per 1 minuto.

### Per avviare un motore caldo

1. Tenere premuto il grilletto acceleratore.
2. Spostare il comando della valvola dell'aria in posizione 1/2.
3. Tirare rapidamente l'impugnatura del cavo di avviamento mentre si tira il grilletto acceleratore finché il motore non si avvia.
4. Spostare il comando della valvola dell'aria in posizione OFF CHOKE (apertura).

### Per arrestare il motore

- Premere e rilasciare l'interruttore STOP del motore. L'interruttore torna automaticamente in posizione ON. Attendere 7 secondi prima di provare a riavviare il prodotto per consentire il ripristino dell'interruttore.

### Per utilizzare un ugello

- Utilizzare l'ugello standard quando si richiedono precisione e un flusso d'aria estremamente concentrato. (Fig. 29)

- Utilizzare l'ugello a elevata velocità quando si richiedono un flusso d'aria più ampio e ad alta velocità. (Fig. 30)

### Per regolare l'ugello del soffiatore

1. Ruotare l'ugello verso sinistra per sganciare l'attacco a baionetta.
2. Spostare l'ugello nella posizione applicabile.
3. Ruotare l'ugello verso destra finché non si sente uno scatto.

### Per aspirare

Prima di aspirare, indossare i dispositivi di sicurezza necessari.



**AVVERTENZA:** Assicurarsi che il sacco di raccolta non sia danneggiato e che la cerniera sia chiusa prima dell'uso. Non utilizzare un sacco danneggiato. In questo modo si evitano lesioni causate da detriti volanti. L'utilizzo con la mano sinistra comporta un rischio maggiore. Evitare il contatto diretto del corpo con l'area di scarico.



**AVVERTENZA:** Non avviare il soffiatore se la copertura della presa d'aria è aperta o danneggiata (eccetto se è presente il tubo di aspirazione).

- Durante il funzionamento del soffiatore, il sacco di raccolta deve essere supportato dalla tracolla. La tracolla deve essere indossata sulla sommità della spalla.
- Avviare il soffiatore. Attenersi alle istruzioni riportate nella sezione di avvio e arresto *Per avviare e arrestare il motore alla pagina 151*. Leggere le istruzioni di sicurezza *Sicurezza alla pagina 147*.

### Per svuotare il sacco di raccolta



**AVVERTENZA:** Esaminare sempre il sacco di raccolta. Accertarsi che non sia danneggiato e che la cerniera sia chiusa prima dell'uso. Non utilizzare un sacco danneggiato. Sussiste il rischio di lesioni a causa dei detriti volanti. Prestare particolare attenzione in caso di utilizzo con la mano sinistra. Non toccare l'area di scarico.

1. Arrestare il prodotto.
2. Aprire la cerniera laterale.
3. Svuotare il sacco di raccolta.
4. Chiudere la cerniera.



---

# Manutenzione

---



**AVVERTENZA:** Leggere e comprendere il capitolo sulla sicurezza prima di pulire e riparare il prodotto o prima di eseguire la manutenzione.

## Programma di manutenzione

Rispettare il programma di manutenzione. Gli intervalli sono calcolati sulla base di un uso quotidiano del prodotto. Nel caso in cui il prodotto non venga utilizzato tutti i giorni, gli intervalli variano. Eseguire solo gli interventi di manutenzione riportati nel presente manuale. Rivolgersi a un centro di assistenza autorizzato per altri interventi di manutenzione non contenuti in questo manuale.

### Manutenzione giornaliera

- Pulire le superfici esterne.
- Controllare che il controllo del regime e il grilletto acceleratore funzionino correttamente. Sostituire le parti danneggiate.
- Controllare l'interruttore di arresto. Se necessario, procedere alla sostituzione.
- Controllare il regime del minimo.
- Pulire il filtro dell'aria. Se necessario, procedere alla sostituzione.
- Assicurarsi che la copertura della presa d'aria possa essere bloccata in posizione di chiusura. Assicurarsi che la girante sia pulita.
- Serrare tutti i dadi e le viti.
- Assicurarsi che gli alloggiamenti siano privi di crepe.
- Assicurarsi che il sacco di raccolta non sia danneggiato e che la cerniera funzioni correttamente. Sostituire il sacco, se necessario.

### Manutenzione settimanale

- Esaminare le condizioni del dispositivo di avviamento, del cavo di avviamento e della molla di tensione. Sostituire tutte le parti danneggiate.
- Esaminare le condizioni della presa d'aria sul dispositivo di avviamento. Se la presa d'aria è ostruita, rimuovere eventuali detriti.
- Pulire il lato esterno della candela. Smontarla e controllare la distanza tra gli elettrodi. Regolare la distanza portandola a 6 mm (0,024 poll.) o sostituire la candela.
- Pulire le lame della girante.
- Pulire lo schermo parascintille e, se necessario, sostituirlo (non sulle marmitte con convertitore catalitico).
- Pulire l'area del carburatore.
- Pulire il filtro dell'aria.

### Manutenzione mensile

- Esaminare la maniglia del cavo di avviamento e la fune stessa.
- Pulire il serbatoio carburante.
- Pulire il carburatore e l'area circostante.
- Pulire le lame della girante.
- Verificare la presenza di crepe o altri danni ai tubi del carburante. Se necessario, eseguire la sostituzione.
- Sostituire il filtro del carburante nel serbatoio del carburante.
- Esaminare tutti i cavi e i raccordi.
- Sostituire la candela.
- Sostituire il filtro dell'aria.

### Manutenzione annuale

- Esaminare la candela.
- Pulire la superficie esterna del carburatore e le relative aree adiacenti.
- Pulire il sistema di raffreddamento
- Esaminare lo schermo parascintille.
- Esaminare il filtro del carburante.
- Esaminare il tubo pescante per verificare l'eventuale presenza di danni.
- Esaminare tutti i cavi e i raccordi.

### Manutenzione a 50 ore

- Far riparare o sostituire la marmitta da un centro di assistenza approvato.

## Regolazione del regime minimo

- Assicurarsi che il filtro dell'aria sia pulito e che il coperchio del filtro dell'aria sia fissato prima di regolare il regime minimo.
- Regolare il regime del minimo servendosi delle vite di regolazione T, indicata con il contrassegno "T".
- Il regime del minimo è corretto quando il motore funziona uniformemente in tutte le posizioni.

(Fig. 31)

1. Ruotare le vite di regolazione del regime minimo in senso orario per un regime superiore.
2. Ruotare le vite di regolazione del regime minimo in senso antiorario per un regime inferiore.

## Per gli interventi di manutenzione dello schermo parascintille

Utilizzare una spazzola metallica per pulire lo schermo parascintille.

## Per pulire il sistema di raffreddamento

(Fig. 32)

Pulire i componenti del sistema di raffreddamento con una spazzola.

## Per esaminare la candela



**ATTENZIONE:** Usare candele originali o del tipo raccomandato. Un tipo di candela errato può danneggiare il prodotto.

- Controllare la candela nel caso in cui il motore giri a bassa potenza, risulti difficile da avviare o non funzioni correttamente al regime minimo.
- Per ridurre il rischio di accumulo di materiale superfluo sugli elettrodi delle candele, osservare le seguenti istruzioni:
  - a) Accertarsi che il regime minimo sia regolato correttamente.
  - b) Accertarsi che la miscela sia corretta.
  - c) Accertarsi che il filtro dell'aria sia pulito.
- Se la candela è incrostata, pulirla e controllare che la distanza tra gli elettrodi sia corretta; vedere *Dati tecnici alla pagina 154*. (Fig. 33)

- Sostituire la candela secondo necessità.

## Per eseguire la manutenzione del filtro dell'aria

### Per pulire il filtro dell'aria

1. Rimuovere il filtro dell'aria e il relativo coperchio. (Fig. 34)
2. Pulire il filtro dell'aria con acqua calda e sapone. Accertarsi che il filtro dell'aria sia asciutto prima di montarlo.
3. Sostituire il filtro dell'aria se è troppo sporco per poterlo pulire completamente. Sostituire sempre un filtro dell'aria danneggiato.
4. Se il prodotto dispone di un filtro dell'aria a schiuma, applicare dell'olio adeguato. Applicare olio solo a un filtro a schiuma. Non applicare olio a un filtro in feltro.

## Dati tecnici

	unità	125B (125B28HV)	125BX (125B28HV)	125BVX (125B28HV)
<b>Specifiche motore</b>				
Cilindrata	cm <sup>3</sup>	28	28	28
Distanza tra gli elettrodi	mm	0,6	0,6	0,6
Volume serbatoio del carburante	cm <sup>3</sup>	500	500	500
Regime minimo	min <sup>-1</sup>	2800 - 3200	2800 - 3200	2800 - 3200
Velocità massima	min <sup>-1</sup>	8000	8000	8000
Potenza	kW	0,8	0,8	0,8
Candela		Champion RCJ-6Y	Champion RCJ-6Y	Champion RCJ-6Y
Velocità massima modalità di soffiatura	min <sup>-1</sup>	8600	8600	8600
Velocità massima modalità di aspirazione	min <sup>-1</sup>	--	7500	7500
Periodo di durata delle emissioni	h	125	125	125
<b>Dati relativi a rumorosità e vibrazioni</b>				
Livello di vibrazioni equivalente sulle impugnature con tubi del soffiatore e ugello (originali) - vedere la nota 1	m/s <sup>2</sup>	11,03	11,03	11,03
Livello di vibrazioni equivalente sulle impugnature con tubi di aspirazione (originali), lato sinistro/destro - vedere la nota 1	m/s <sup>2</sup>	--/--	12,16/12,29	12,16/12,29

Livello di pressione acustica equivalente rispetto all'udito dell'operatore misurato ai sensi della norma ISO 22868 con tubi del soffiatore e ugello (originali) - vedere nota 3	dB(A)	96	96	96
Pressione acustica rispetto all'udito dell'operatore misurato ai sensi della norma ANSI B175.2 con tubi del soffiatore e ugello (originali)	dB(A)	71	71	71
Livello di emissione sonora, misurato - vedere la nota 2	dB(A)	109	109	109
Livello di emissione sonora, garantito ( $L_{WA}$ ) - vedere la nota 2	dB(A)	112	112	112
<b>Dimensioni del prodotto</b>				
Peso (senza carburante ma con tubo del soffiatore e ugello standard montati)	kg	4,3	4,4	4,4
<p><b>Nota 1:</b> I dati riportati per il livello di vibrazione equivalente hanno una dispersione statistica tipica (deviazione standard) di 1 m/s<sup>2</sup>.</p> <p><b>Nota 2:</b> emissioni di rumore nell'ambiente misurate come potenza sonora (<math>L_{WA}</math>) in base alla direttiva CE 2000/14/CE. Il livello di potenza acustica riportato per la macchina è stato misurato con il gruppo originale che emette il livello massimo. La differenza tra potenza acustica misurata e garantita è che la potenza acustica garantita comprende anche la dispersione nel risultato di misurazione e le variazioni tra le diverse macchine dello stesso modello come da Direttiva 2000/14/CE.</p> <p><b>Nota 3:</b> i dati riportati per il livello di pressione acustica equivalente del macchinario hanno una dispersione statistica tipica (deviazione standard) di 1 dB (A).</p>				

Ventola	Unità	125B	125BX	125BVX
Tipo		Ventola radiale	Ventola radiale	Ventola radiale
Velocità massima dell'aria, ugello standard	km/h	217	217	217
Velocità massima dell'aria, ugello a elevata velocità*	km/h	273	273	273
Volume dell'aria modalità di soffiatura	cfm	425	425	425
Volume dell'aria modalità di aspirazione	cfm	--	445	445
*accessorio opzionale per alcuni modelli				

## Accessori

125B, 125BX, 125BVX	
<b>Accessori omologati</b>	<b>Tipo</b>
Kit per pulizia grondaie	952 711 918
125BX, 125BX	

<b>Accessori omologati</b>	<b>Tipo</b>
Kit di aspirazione	952 711 913
125B	
<b>Accessori omologati</b>	<b>Tipo</b>
Ugello a elevata velocità	545 119 501

## Contenuto della Dichiarazione di conformità CE

Husqvarna, Husqvarna AB, SE 561 82 Huskvarna, SWEDEN, dichiara sotto la propria esclusiva responsabilità che il prodotto indicato:

Il Gasoline Blower/ Blower-Vacuum in dotazione è conforme agli esemplari sottoposti a omologazione.

Descrizione	Gasoline Blower/ Blower-Vacuum
Marchio	Husqvarna
Piattaforma / Tipo / Modello	Piattaforma 125B28HV, rappresentante il modello 125B, 125BX, 125BVX
Lotto	A partire dal numero di serie 2019 e successivi

è pienamente conforme alle seguenti norme e direttive UE:

Direttiva/norma	Descrizione
2006/42/EC	"sulle macchine"
2014/30/EC	"sulla compatibilità elettromagnetica"
2000/14/EC	"sul rumore esterno"
2011/65/EU	"restrizione dell'uso di determinate sostanze pericolose"

Le norme armonizzate e/o le specifiche tecniche applicate sono le seguenti: EN ISO 12100, EN ISO 1186-1, CISPR 12, ISO 14982, EN 50581

È conforme alla direttiva 2000/14/EC, Allegato V, i valori per i livelli acustici dichiarati sono riportati nella sezione dei dati tecnici del presente manuale e nella Dichiarazione di conformità CE firmata.

Intertek ha eseguito l'omologazione volontaria per conto di Husqvarna AB, emettendo il Certificato di conformità relativo alla Direttiva del Consiglio CE sulle macchine 2006/42/EC.

Il certificato, come riportato sulla Dichiarazione di conformità CE firmata, si applica a tutti i siti produttivi e paesi d'origine, così come riportati sul prodotto.

---

# TURINYS

---

<b>Įvadas</b> .....	<b>157</b>	<b>Techninės priežiūros darbas</b> .....	<b>163</b>
<b>Sauga</b> .....	<b>158</b>	<b>Techniniai duomenys</b> .....	<b>165</b>
<b>Surinkimas</b> .....	<b>161</b>	<b>Priedai</b> .....	<b>166</b>
<b>Naudojimas</b> .....	<b>161</b>	<b>EB atitikties deklaracijos turinys</b> .....	<b>166</b>

---

## Įvadas

---

### Naudojimo instrukcija

Pirminė šios naudojimo instrukcijos kalba yra anglų. Naudojimo instrukcijos kitomis kalbomis yra verstos iš anglų kalbos.

(Pav. 1)

1. Perpetinis diržas (125BVX)
2. Droselio gaidukas
3. STOP mygtukas
4. Greičio valdymas
5. Ventilatoriaus korpusas
6. Kuro bakelio dangtelis
7. Oro filtras
8. Oro sklendė
9. Kuro siurbliukas
10. Įsiurbimo angos dangtis
11. Siurbimo rankena (125BX ir 125BVX)
12. Peiliai (125BX ir 125BVX)
13. Ventilatoriaus sparnuotė
14. Standartinis antgalis
15. Didelio greičio antgalis (125BX and 125BVX)
16. Pūstuvo vamzdis
17. Vamzdžio veržiamasis varžtas
18. Vamzdžio suveržiamosios veržlės
19. Duslintuvas
20. Įžeminimo laidas
21. Starterio rankenėlė
22. Starterio mechanizmas
23. Karbiuratoriaus tvirtinimo varžtai
24. Naudojimo instrukcija
25. Siurblys su surinkimo detalėmis, kurį sudaro detalės, išvardintos žemiau 26–30 punktuose
26. Surinkimo maišo vamzdis
27. Surinkimo maišas
28. Dviejų dalių siurbimo vamzdis
29. Varžtas
30. Pečių juosta

### Simboliai ant gaminio

(Pav. 2) Įspėjimas

(Pav. 3) Perskaitykite šį vadovą

### Apžvalga

(Pav. 4) Naudokite patvirtintas apsaugines ausines

(Pav. 4) Naudokite patvirtintas akių apsaugos priemones

(Pav. 4) Naudokite patvirtintą respiratorių

(Pav. 5) Naudokite patvirtintas apsaugines pirštines

(Pav. 6) Iš gaminio gali išskrieti pašaliniai objektai, kurie gali pažeisti akis

(Pav. 7) Saugus atstumas

(Pav. 8) Nebūkite arti sparnuotės, nes ji sukasi

(Pav. 9) Neleiskite vaikams būti šalia gaminio

(Pav. 10) Triukšmingumas

(Pav. 11) Triukšmo lygis

(Pav. 12) Ilgus plaukus pakelkite aukščiau pečių

(Pav. 13) Šis gaminys atitinka taikomas EB direktyvas

(Pav. 14) Šis gaminys atitinka taikomas EAC direktyvas

(Pav. 15) Šis gaminys atitinka taikomas Ukrainos direktyvas

---

**Pasižymėkite:** Kiti ant gaminio pateikti simboliai (lipdukai), skirti kitų komercinių teritorijų sertifikavimo reikalavimams.

---

### „Euro V“ standartas

---



**PERSPĖJIMAS:** Variklio modifikavimas panaikina šio produkto ES tipo patvirtinimą.

---

### Atsakomybė už gaminį

Kaip nurodyta atsakomybės už gaminį įstatymuose, mes nesame atsakingi už mūsų gaminio sukeltą žalą, jei:

- gaminys netinkamai suremontuotas;
- gaminys suremontuotas naudojant kito gamintojo arba gamintojo nepatvirtintas dalis;
- gaminys turi kito gamintojo arba gamintojo nepatvirtintą priedą;

- gaminys suremontuotas ne patvirtintame techninės priežiūros centre arba jį suremontavo ne patvirtintas atstovas.

---

## Sauga

---

### Saugos ženklų reikšmės

Toliau apibrėžiamas signalinių žodžių žymimas pavojus.



**PERSPĖJIMAS:** Gali susižeisti asmenys.



**PASTABA:** Galima sugadinti gaminį.

**Pasižymėkite:** Ši informacija padeda gaminį naudoti saugiau.

### Bendrieji saugos nurodymai



**PERSPĖJIMAS:** Prieš naudodami gaminį, perskaitykite toliau esančius įspėjimus.

- Naudokite gaminį tinkamai. Netinkamai naudojant galima rimtai arba mirtinai susižeisti. Produktą naudokite tik šiose instrukcijose nurodytiems darbams. Nenaudokite gaminio kitiems darbams.
- Paisykite šiose instrukcijose pateiktų nurodymų. Paisykite saugos simbolių ir saugos nurodymų. Naudotojui nepaisant instrukcijų ir simbolių, galima sugadinti įrangą arba susižeisti ar mirtinai susižeisti.
- Neišmeskite šių instrukcijų. Vadovaukitės šiomis instrukcijomis surinkdami ir naudodami šį gaminį bei atlikdami jo techninę priežiūrą. Vadovaukitės šiomis instrukcijomis, kad tinkamai prijungtumėte priedus. Naudokite tik patvirtintus priedus.
- Sugadinto gaminio nenaudokite. Paisykite techninės priežiūros grafiko. Atlikite tik šiose instrukcijose aprašytus priežiūros darbus. Visus kitus techninės priežiūros darbus turi atlikti patvirtintas techninės priežiūros centras.
- Šiose instrukcijose negali būti numatytos visos situacijos, su kuriomis galite susidurti naudodami gaminį. Būkite atsargūs ir apdairūs. Gaminio nenaudokite ir nevykdysite jo priežiūros darbų, jei nesate tikri dėl jo būklės. Jei reikia informacijos, kreipkitės į gaminio ekspertą, pardavimo atstovą, techninės priežiūros atstovą arba patvirtintą techninės priežiūros centrą.
- Prieš surinkdami gaminį, ruošdami jį saugoti arba atlikdami priežiūros darbus, atjunkite uždegimo žvakės kabelį.
- Nenaudokite gaminio, jei pasikeitė jo pradiniai techniniai duomenys. Nekeiskite gaminio dalių, neturinčių gamintojo patvirtinimo. Naudokite tik gamintojo patvirtintas dalis. Netinkamai prižiūrint gaminį galima susižeisti arba žūti.
- Neįkvėpkite variklio skleidžiamų dujų. Ilgalais kvėpavimas variklio išmetamosiomis dujomis pavojingas gyvybei.
- Neužveskite gaminio patalpoje arba greta degių medžiagų. Išmetamosios dujos yra karštos, jose gali būti kibirkščių, kurios gali sukelti gaisrą. Dėl oro stygiaus galima susižaloti arba žūti užduos arba apsinuodijus anglies monoksidu.
- Naudojant šį gaminį, variklis sukuria elektromagnetinį lauką. Elektromagnetinis laukas gali sugadinti medicininius implantus. Prieš pradėdami naudoti šį gaminį, pasitarkite su savo gydytoju ir medicininio implanto gamintoju.
- Neleiskite gaminio naudoti vaikams. Neleiskite gaminio naudoti su instrukcijomis nesusipažinusiems asmenims.
- Visada prižiūrėkite gaminį naudojančių fizinę arba protinę negalią turinčių asmenį. Būtina nuolatine atsakingo suaugusiojo priežiūra.
- Užrakinkite gaminį vaikams ir nepatvirtintiems asmenims nepasiekiamoje vietoje.
- Iš gaminio gali išskrieti ir sužaloti pašaliniai objektai. Paisykite saugos nurodymų, kad sumažėtų sužeidimų arba žūties pavojus.
- Nepalikite gaminio be priežiūros, kai užvestas variklis.
- Dėl nelaimingo įvykio yra atsakingas gaminio naudotojas.
- Prieš naudodami gaminį įsitinkinkite, kad jo dalys nepažeistos.
- Prieš naudodami gaminį, įsitinkinkite, kad aplink jus mažesniu nei 15 m (50 pėdų) spinduliu nėra pašalinių žmonių arba gyvūnų. Pasirūpinkite, kad greta esantys asmenys žinotų, jog ketinate naudoti gaminį.
- Atsižvelkite į nacionalinius arba vietos įstatymus. Jie gali drausti arba riboti gaminio naudojimą konkrečiomis sąlygomis.
- Neekspluatuokite gaminio, jeigu esate pavargę, vartojote alkoholio, narkotikų ar vaistų. Tai gali paveikti jūsų regėjimą, budrumą, koordinaciją ir nuovokumą.

## Vibracijos sauga

Šis gaminys skirtas naudoti tik kartais. Nepertraukiamai arba reguliariai naudojantis gaminiu, dėl vibracijos gali atsirasti baltų pirštų sindromas arba panašios medicininės problemos. Jei gaminį naudojate nepertraukiamai arba reguliariai, įvertinkite savo rankų ir pirštų būklę. Jei rankų ar pirštų spalva pakitusi, jaučiate skausmą, dilgčiojimą ar nutirpimą, nustokite dirbti ir nedelsdami kreipkitės į gydytoją.

## Pūstuvo naudojimo saugos nurodymai

- Gaminį naudokite tik lapams ar kitoms šiukšlėms nupūsti arba pašalinti nuo žemės.
- Nenaudokite gaminio, jeigu esate pavargę, sergate, vartojate alkoholio, narkotikų ar vaistų.
- Neprileiskite žmonių arba gyvūnų arčiau nei 15 m (50 pėdų) nuo operatoriaus.
- Gaminys gali dideliu greičiu išsviesti daiktus, kurie gali atšokti ir užgauti operatorių. Taip galima pažeisti akis.
- Pūstuvo antgalio nenukreipkite į žmones ar gyvūnus.
- Ilgus plaukus pakelkite aukščiau pečių.
- Prieš sumontuodami ar išmontuodami priedus ar kitas dalis, sustabdykite variklį.
- Nenaudokite gaminio be apsaugos.
- Jei darbo zonoje yra pašalinių asmenų, gaminio nenaudokite. Į darbo zoną įžengus pašaliniam asmeniui, išjunkite gaminį.
- Nenaudokite gaminio netinkamai vėdinamose vietose. Jei stinga oro, galima susižaloti arba žūti uždusus arba apsinuodijus anglies monoksidu.
- Duslintuvas yra labai karštas, kai gaminys įjungtas, jį sustabdykite ir kai veikia tuščiaja eiga. Būkite atsargūs netoli degių medžiagų ir degių dujų.
- Nelieskite įvado dangtelio srities. Saugokite papuošalus ir laisvai kabančius drabužius nuo įvesties srities.
- Visada tvirtai stovėkite ir naudokite gaminį tik virš saugių ir plokščių paviršių. Ant slidžių arba nestabilių paviršių, pvz., kopėčių, galite prarasti pusiausvyrą arba kontrolę.
- Nenaudokite gaminio aukštose zonose, pvz., ant stogo.
- Gabendami gaminį pritvirtinkite.
- Gaminį naudokite tik rekomenduojamą laiką. Laikykitės vietinių įstatymų. Įprastai patartina dirbti nuo pirmadienio iki šeštadienio 9.00–17.00 val.
- Darbo metu nustatykite žemiausią galimą droselio padėtį.
- Įsitikinkite, kad naudodami įrenginį nenugriūsite. Naudodami gaminį nepamirškite.
- Prieš naudodami įsitikinkite, kad gaminys geros būklės, ypač duslintuvas, oro įsiurbimas ir oro filtras.
- Prieš naudodami gaminį, grėbliu arba šluota nubraukite prie žemės prikibusias šiukšles
- Jei darbo sritis purvina, nuplaukite ją žarna.

- Gaminį naudokite kaip alternatyvą žarnai, norėdami taupyti vandenį.
- Šiukšles pūskite atsargiai. Saugokitės vaikų, gyvūnų, atvirų langų ar transporto priemonių.
- Nenukreipkite gaminio į lengvai pažeidžiamus augalus.
- Nepūskite oro į tokius objektus kaip sienos, dideli akmenys, transporto priemonės ir tvoros.
- Jei dirbate prie vidinių kampų, pūskite nuo kampo į darbo srities centrą. Antraip šiukšlės gali būti nusvistos jums į veidą ir sužeisti akis.
- Naudokite pilnai sukomplektuotą pailgintą antgalį, kad oro srovė būtų pučiama arti žemės.
- Aplinkiniai būtinai turi dėvėti akių apsaugos priemones.
- Panaudoję gaminį išmeskite šiukšles į atliekų talpyklas.

## Siurblio naudojimo saugos nurodymai

- Nepažeiskite ventiliatoriaus. Nesiurbkite didelių, kietų objektų, pvz., medžio gabalų, skardinių, gumos mulčio arba ilgų juostelių.
- Stenkitės, kad siurbimo vamzdis neatsitrenktų į žemę.
- Prieš pašalindami kliūtį ar vamzdį užkimšusią medžiagą sustabdykite variklį ir atjunkite uždegimo žvakės antgalį.

## Asmeninės apsauginės priemonės

- Dirbdami gaminiu visada naudokite tinkamas asmenines apsaugines priemones. Asmeninės apsauginės priemonės nepašalina sužeidimų pavojaus. Asmeninės apsauginės priemonės sumažina sužalojimų laipsnį nelaimės atveju.
- Dirbdami gaminiu visada naudokite akių apsaugos priemones.
- Nenaudokite gaminio basomis kojomis arba atvira avalyne. Visada avėkite patvarius, neslystančius batus.
- Dėvėkite storas, ilgas kelnes.
- Jei būtina, naudokite patvirtintas apsaugines pirštines.
- Jei yra tikimybė, kad jums ant galvos gali nukristi sunkus objektas, naudokite šalmą.
- Dirbdami gaminiu visada naudokite apsaugines ausines. Ilgalais triukšmas gali pakenkti klausai.
- Visada produktą naudodami dulkėtose aplinkose naudokite patvirtintą respiratorių.
- Šalia visada turėkite pirmosios pagalbos rinkinį.

## Gaminio apsauginės priemonės

- Nepamirškite reguliariai atlikti gaminio priežiūros darbų.
  - Gaminio tarnavimo trukmė padidėja.
  - Nelaimių pavojus sumažėja.

Reguliariai perduokite gaminį patvirtintam pardavimo atstovui arba techninės priežiūros centrui, kuriame jis bus apžiūrėtas ir pakoreguotas arba suremontuotas.

- Nenaudokite gaminio, jei jo apsauginės priemonės pažeistos. Jei gaminys pažeistas, kreipkitės į patvirtintą techninės priežiūros centrą.

## Stabdymo jungiklis

Ijunkite variklį. Įsitikinkite, kad variklis sustoja, kai perjungiate stabdymo jungiklį į išjungimo padėtį. (Pav. 16)

## Duslintuvas



**PERSPĖJIMAS:** Nelieskite duslintuvo, jei jis yra karštas. Duslintuvai būna labai karštas varikliui dirbant ir jį išjungus. Jei paliesite duslintuvą jis gali nudeginti.

- Nenaudokite variklio su pažeistu duslintuvu. Pažeistas duslintuvas skleidžia daugiau triukšmo ir kelia didesnį gaisro pavojų. Visada šalia turėkite gesintuvą.
  - Reguliariai apžiūrėkite, ar duslintuvai pritvirtinti prie gaminio.
  - Kai variklis užvestas nelieskite variklio arba duslintuvo. Išjungę variklį kurį laiką nelieskite variklio arba duslintuvo. Įkaitę paviršiai gali sužaloti.
  - Karštas duslintuvas gali sukelti gaisrą. Būkite atsargūs naudodami gaminį greta degių skysčių arba dujų.
  - Nelieskite pažeisto duslintuvo dalių. Dalyse gali būti kancerogeninių medžiagų.
  - Kai kurie pūstovo modeliai turi kibirkščių sulaikymo tinklėlį. Nurodytais intervalais nuvalykite ir pakeiskite tinklėlį. Žr. skyrių „Priežiūra“ (*Techninės priežiūros darbas psl. 163*).
- (Pav. 17)

## Saugumo reikalavimai kurui

- Neužveskite gaminio, jei ant gaminio yra kuro arba variklio alyvos. Nuvalykite nepageidaujamą kurą / alyvą ir palaukite, kol gaminys išdžius. Nuvalykite nuo gaminio nepageidaujamą kurą.
- Apsipylę drabužius kuru nedelsiant persirenkite.
- Neapsipilkite kūno kuru, nes jis gali sužaloti. Apsipylę kūną kuru, jį nusiplaukite muilu ir vandeniu.
- Neužveskite variklio, jei apliejote gaminį arba kūną alyva arba kuru.
- Neužveskite gaminio, jei iš variklio sunkiasi skysčiai. Reguliariai tikrinkite, ar iš variklio nesisunkia skysčiai.

- Atsargiai elkitės su kuru. Kuras yra degus, o jo garai – sprogdūs, todėl neatsargiai elgiantis galima susižaloti arba žūti.
- Neįkvėpkite kuro garų, nes jie gali sužaloti. Pasirūpinkite tinkamu vėdinimu.
- Nerūkykite greta kuro arba variklio.
- Nedėkite šiltų objektų greta kuro arba variklio.
- Nepilkite kuro, kai variklis užvestas.
- Prieš pildami kurą įsitikinkite, ar variklis ataušęs.
- Prieš pildami kurą lėtai atidarykite kuro bakelio dangtelį ir atsargiai išleiskite slėgį.
- Nepilkite į variklį kuro būdami patalpoje. Dėl oro stygiaus galima susižaloti arba žūti uždusęs arba apsinuodijęs anglies monoksidu.
- Kruopščiai priveržkite kuro bakelio dangtelį, nes antraip gali kilti gaisras.
- Prieš pradėdami darbą patraukite gaminį mažiausiai 3 m (10 pėdų) nuo vietos, kurioje pylėte kurą.
- Nepripilkite į kuro bakelį pernelyg daug kuro.
- Pasirūpinkite, kad perkeliant gaminį arba kuro bakelį iš jo neišsilietų kuras.
- Nestatykite gaminio arba kuro bakelio greta atviros liepsnos, kibirkščių arba degiklio. Įsitikinkite, kad laikymo patalpoje nėra atviros liepsnos.
- Kurą gabenkite ir laikykite tik patvirtintuose bakeliuose.
- Prieš palikdami gaminį saugoti ilgesniam laikui, ištuštinkite kuro bakelį. Kurą utilizuokite atsižvelgdami į vietinius įstatymus.
- Nuvalykite gaminį prieš palikdami jį saugoti ilgesniam laikui.
- Prieš palikdami gaminį saugoti ilgesnį laiką atjunkite uždegimo žvakės kabelį, kad variklis netikėtai neužsivestų.

## Priežiūros saugos instrukcijos



**PERSPĖJIMAS:** Dėl netinkamai atliekamos techninės priežiūros gali būti rimtai sugadintas variklis arba patirtas rimtas sužeidimas.

Savininkas atsakingas už visos reikalingos priežiūros, aprašytos naudojimosi instrukcijoje, atlikimą. Prieš techninę priežiūrą, atjunkite uždegimo žvakės laidą. Prieš reguliuodami karbiuratorių neatjunkite uždegimo žvakės.



---

## Surinkimas

---



**PERSPĖJIMAS:** Prieš surinkdami gaminį perskaitykite skyrių apie saugą.

### Pūstuvo vamzdžio ir antgalio pritvirtinimas prie produkto

**Pasižymėkite:** Varžtas turi būti pakankamai atsuktas, kad pūstuvo vamzdį būtų galima įkišti į pūstuvo išvadą. Pasukite varžtą prieš laikrodžio rodyklę su atsuktuvu, kad jį atsuktumėte.

1. Sulygiuokite viršutinio pūstuvo vamzdžio briaunelę su grioveliu ant pūstuvo išvado. Perkelkite vamzdelį į tinkamą padėtį.
2. Pasukite varžtą pagal laikrodžio rodyklę su atsuktuvu, kad pritvirtintumėte vamzį.

**Pasižymėkite:** Nenaudokite jokio įrankio veržlei.

3. Sulygiuokite apatinio pūtimo vamzdžio išpjovas su iškyšomis ant viršutinio pūtimo vamzdžio. Pastumkite apatinį pūstuvo vamzį link viršutinio pūstuvo vamzdžio.
4. Sukite apatinį pūstuvo vamzį pagal laikrodžio rodyklę, kol išgirsite spragtelėjimą.

### Surinkimo maišo su skirtingais siurbimo vamzdžiais prijungimas



**PERSPĖJIMAS:** Prieš tvirtindami vamzdžius prie gaminio išjunkite variklį.

### Surinkimo maišo surinkimas

1. Atidarykite surinkimo maišą.
2. Surinkimo maišo vamzį įkiškite iš vidinės maišo pusės, kad jis įsistatytų į siurbimo angą.
3. Įsitikinkite, kad elastinės detalės įsitvirtino griovelyje (A).

4. Užtraukite maišo užtrauktuką. (Pav. 18)

### Surinkimo maišo vamzdžio montavimas

1. Atjunkite pūstuvo vamzį, jei jis prijungtas.
2. Sulygiuokite surinkimo maišo vamzdžio (A) briaunelę su grioveliu ant pūstuvo išvado (B).
3. Stumkite surinkimo maišo vamzį į pūstuvui skirtą angą.
4. Įdėkite veržlę (C) į jos angą.
5. Įsukite varžtą (D) ir priveržkite atsuktuvu, kad pritvirtintumėte vamzį. (Pav. 19)

### Siurbimo vamzdžių sujungimas

1. Sulygiuokite apatinio siurbimo vamzdžio (A) rodyklę su rodykle ant viršutinio siurbimo vamzdžio (B).
2. Įstumkite apatinį siurbimo vamzį į viršutinį siurbimo vamzį.
3. Naudodami atsuktuvą įsukite savisriegį varžtą (C), laikantį vamzdžius kartu. (Pav. 20)

### Siurbimo vamzdžių montavimas

1. Įstatykite atsuktuvą į siurbimo įvado užšovą.
2. Pasukite atsuktuvą, kad atlaisvintumėte fiksatorių. (Pav. 21)
3. Siurbimo įvado dangtelis turi būti atidarytas, kol įstatisite viršutinį siurbimo vamzį.
4. Sulygiuokite siurbimo įvado viduje esančias briauneles su grioveliais ant viršutinio siurbimo vamzdžio. Pasirūpinkite, kad užrakinimo simbolis ant vamzdžio būtų sulygiuotas su atrakinimo simboliu ant siurbimo įvado. (Pav. 22)
5. Visiškai įstumkite viršutinį siurbimo vamzį į siurbimo įvadą.
6. Sukite viršutinį siurbimo vamzį pagal laikrodžio rodyklę, kol užrakinimo simbolis ant vamzdžio susilygiuos su atrakinimo simboliu ant siurbimo įvado. Tinkamai prijungtas vamzdis spragteli. (Pav. 23)

---

## Naudojimas

---



**PERSPĖJIMAS:** Prieš naudodami gaminį perskaitykite ir supraskite skyrių apie saugą.

### Degalai

#### Kuro naudojimas



**PASTABA:** Gaminys turi dviejų ciklų variklį. Naudokite benzino ir dviejų ciklų varikliui skirtos variklio alyvos mišinį. Būtinai naudokite tinkamo alyvos kiekio mišinį. Netinkamas benzino ir alyvos santykis gali sugadinti variklį.

## Benzinas



**PASTABA:** Nenaudokite benzino, kurio oktaninis skaičius yra mažesnis nei 90 RON (87 AKI). Antraip galima sugadinti gaminį.



**PASTABA:** Nenaudokite benzino, kurio etanolio koncentracija didesnė kaip 10 % (E10). Antraip galima sugadinti gaminį.



**PASTABA:** Nenaudokite švino benzino. Antraip galima sugadinti gaminį.

- Visada naudokite šviežią bešvinį benzina, kurio minimalus oktaninis skaičius yra 90 RON (87 AKI), o etanolio koncentracija 10 % (E10).
- Jei gaminį dažnai naudojate esant nuolatinėms didelėms variklio apsuksoms, naudokite didesnio oktaninio skaičiaus benzina.
- Naudokite tik aukštos kokybės bešvinio benzino ir alyvos mišinį.

## Dviejų ciklų variklio alyva

- Naudokite tik aukštos kokybės dviejų ciklų variklio alyvą. Naudokite tik oru aušinamiems varikliams skirtą alyvą.
- Nenaudokite kitų rūšių alyvos.
- Mišinio santykis 50:1 (2 %)

Benzinas	Alyva
1 galonas (JAV)	77 ml (2,6 unc.)
1 galonas (JK)	95 ml (3,2 unc.)
5 l	100 ml (3,4 unc.)

## Kuro mišinio maišymas

**Pasižymėkite:** Maišydami kurą visada naudokite tik švarų kuro bakelį.

**Pasižymėkite:** Nemašykite kuro mišinio kiekio ilgesniam kaip 30 dienų laikotarpiui.

1. Įpilkite pusę benzino kiekio.
2. Supilkite visą alyvos kiekį.
3. Suplakite kuro mišinį, kad komponentai susimaišytų.
4. Supilkite likusį benzino kiekį.
5. Suplakite kuro mišinį, kad komponentai susimaišytų.
6. Užpildykite kuro bakelį.

## Kuro įpylimas

- Naudokite degalų bakelį su apsauga nuo perpilimo.

- Jei bakelyje yra kuro, pašalinkite nepageidaujamą kurą ir palaukite, kol bakelis išdžius.
- Įsitinkinkite, kad plotas aplink kuro bakelio dangtelį yra švarus.
- Prieš pildami kuro mišinį į kuro bakelį papurtykite kuro bakelį.

## Užvedimas ir išjungimas

### Prieš paleidžiant variklį

- Apžiūrėkite, ar gaminiiui netrūksta dalių, ar jis neturi pažeistų, nepritvirtintų arba susidėvėjusių dalių.
- Apžiūrėkite surinkimo maišą. Įsitinkinkite, kad surinkimo maišas nepažeistas, o užtrauktukas užtrauktas.
- Apžiūrėkite varžles ir varžtus.
- Apžiūrėkite oro filtrą.
- Patikrinkite, ar tinkamai veikia akceleratoriaus gaidukas.
- Patikrinkite, ar tinkamai veikia išjungimo jungiklis.
- Patikrinkite, ar neprateka degalai.

### Šalto variklio užvedimas



**PERSPĖJIMAS:** Nevyniokite starterio virvės sau ant rankos.



**PASTABA:** Nelaiykite gaminio pėda.



**PASTABA:** Netraukite starterio virvės iki pat galo. Nepaleiskite starterio virvės rankenos, kai ji ištraukta. Tai gali pakenkti gaminiiui.

**Pasižymėkite:** Jei variklis sustoja, perkelkite oro sklendės rankenėlę į uždarytą padėtį ir vėl atlikite paleidimo veiksmus.

1. Į kuro bakelį pripilkite švaraus kuro mišinio.
2. Nuspauskite kuro siurbliuką 10 kartų. (Pav. 24)
3. Perkelkite variklio oro sklendės rankenėlę į padėtį FULL CHOKE (uždaryta). (Pav. 25)
4. Pasukite reguliuojamą greičio valdiklį iki galo pagal laikrodžio rodyklę. (Pav. 26)
5. Kairiąja ranka laikykite įrenginio korpusą ant grindų.
6. Traukite starterio virvės rankenėlę, kol variklis bando užsivesti. Netraukite daugiau kaip 3 kartus.
7. Perkelkite oro sklendės rankenėlę į 1/2 padėtį ir patraukite starterio virvės rankenėlę, kol variklis pasileis ir pradės veikti. (Pav. 27)
8. Apie 10 sekundžių palaukite, kol variklis išils.
9. Nuspauskite iki galo ir laikykite akceleratoriaus gaiduką atlikdami visus likusius veiksmus.

10. Nustatykite oro sklendės rankenėlę į padėtį OFF CHOKE (atidaryta). (Pav. 28)

11. Palaukite apie 1 minutę, kol variklis išils.

## Šilto variklio užvedimas

1. Paspauskite akceleratoriaus gaiduką ir laikykite jį nuspauštą.
2. Oro sklendės rankenėlę perjunkite į 1/2 padėtį.
3. Greitai patraukite starterio virvės rankenėlę, kai varikliui veikiant traukiate akceleratoriaus gaiduką.
4. Nustatykite oro sklendės rankenėlę į padėtį OFF CHOKE (atidaryta).

## Norėdami sustabdyti variklį

- Paspauskite ir atleiskite variklio STOP (išjungimo) jungiklį. Jungiklis automatiškai grįžta į ON padėtį. Prieš bandydami iš naujo paleisti gaminį palaukite 7 sekundes, kad įsitikintumėte, jog jungiklis atsistatė.

## Antgalio naudojimas

- Standartinį antgalį naudokite, kai reikalingas tikslumas ir didelė oro srauto koncentracija. (Pav. 29)
- Didelio greičio antgalį naudokite, kai reikia pūsti pletesne oro srove ir reikalingas didelis oro greitis. (Pav. 30)

## Pūstuvo antgalio reguliavimas

1. Pasukite antgalį į kairę, kad atjungtumėte įkišamą jungtį.
2. Perkelkite antgalį į tinkamą padėtį.
3. Pasukite antgalį į dešinę, kol išgirsite spragtelėjimą.

## Norint siurbti

Prieš pradėdami siurbimą, pasirūpinkite reikiama saugos įranga.



**PERSPĖJIMAS:** Prieš naudodami įsitikinkite, kad surinkimo maišas nepažeistas, o užtrauktukas užtrauktas. Nenaudokite maišo jei jis pažeistas. Taip išvengsite skriejančių atplaišų sukeliamų pažeidimų. Atliekant operacijas kairiaja ranka išauga rizika. Neprisilieskite kūnu prie išleidimo angos srities.



**PERSPĖJIMAS:** Nepaleiskite pūstuvo, jei įvado dangtelis atidarytas arba pažeistas (nebent pritvirtintas siurbimo vamzdis).

- Dirbant su pūstuvu surinkimo maišas turi kabėti ant peties diržo. Diržas turi būti uždėtas ant peties viršaus.
- Paleiskite pūstuvą. Laikykite instrukcijų, pateikiamų skyriuje „Įjungimas ir išjungimas“ *Užvedimas ir išjungimas psl. 162*. Perskaitykite saugos nurodymus *Sauga psl. 158*.

## Surinkimo maišo ištuštinimas



**PERSPĖJIMAS:** Visada apžiūrėkite surinkimo maišą. Prieš naudodami įsitikinkite, kad jis nepažeistas, o užtrauktukas užtrauktas. Nenaudokite pažeisto maišo. Jus gali sužeisti lekiančios šiukšlės. Būkite atsargūs, kai atliekamos operacijos kaire ranka. Nelieskite išleidimo angos srities.

1. Sustabdykite gaminį.
2. Užtraukite šone esantį užtrauktuką.
3. Ištuštinkite surinkimo maišą.
4. Užtraukite užtrauktuką.

## Techninės priežiūros darbas



**PERSPĖJIMAS:** Prieš valydami, taisydami arba prižiūrėdami gaminį perskaitykite ir supraskite saugos skyrių.

## Priežiūros grafikas

Būtinai vadovaukitės priežiūros grafiku. Priežiūros intervalai apskaičiuojami pagal kasdienį gaminio naudojimą. Intervalai skiriasi, jei gaminio nenaudojate kasdien. Atlikite tik šiame vadove nurodytus priežiūros darbus. Dėl kitų, šiame vadove neminimų priežiūros darbų kreipkitės į patvirtintą techninės priežiūros centrą.

### Kasdienė techninė priežiūra

- Nuvalykite išorinius paviršius.
- Ištrinkite greičio valdymo ir akceleratoriaus gaiduko funkciją. Pakeiskite pažeistas dalis.

- Patikrinkite išjungimo jungiklį. Jei būtina, pakeiskite jį.
- Patikrinkite greitį tuščiaja eiga.
- Išvalykite oro filtrą. Jei būtina, pakeiskite jį.
- Įsitikinkite, ar įleidimo angos dangtelis gali būti užfiksuotas uždarytoje padėtyje. Įsitikinkite, kad sparnuotė švari.
- Priveržkite visas veržles ir varžtus.
- Patikrinkite gaubtus, ar juose nėra įtrūkimų.
- Įsitikinkite, kad surinkimo maišas nepažeistas ir nesugadintas užtrauktukas. Jei reikia, pakeiskite maišą.

### Savaitinė techninė priežiūra

- Patikrinkite starterio mechanizmo, starterio virvės ir įtempimo spyruoklės būklę. Pakeiskite visas apgadintas dalis.

- Patikrinkite oro įsiurbimo įtaiso ant starterio mechanizmo būklę. Išimkite šiukšles, jei oro įsiurbimo anga užsikimšo.
- Nuvalykite uždegimo žvakės išorinę pusę. Išimkite ją ir patikrinkite tarpą tarp elektrodų. Nustatykite, kad tarpas būtų 6 mm, arba pakeiskite uždegimo žvakę.
- Nuvalykite sparnuotės peilius.
- Nuvalykite kibirkščių sulaikymo tinklėlį ir, jei reikia, pakeiskite jį (netaikoma duslintuvams su katalizatoriumi).
- Nuvalykite karbiuratoriaus zoną.
- Išvalykite oro filtrą

#### Mėnesinė techninė priežiūra

- Patikrinkite starterio virvės rankenėlę ir starterio virvę.
- Išvalykite kuro baką.
- Išvalykite karbiuratorių ir jo aplinkinę zoną.
- Nuvalykite sparnuotės peilius.
- Patikrinkite, ar kuro žarnelės nesutrūkusios ar kitaip nepažeistos. Jei reikia, pakeiskite
- Pakeiskite kuro filtrą kuro bakelyje.
- Patikrinkite visus laidus ir jungtis.
- Pakeisti uždegimo žvakę
- Pakeiskite oro filtrą.

#### Kasmetinė techninė priežiūra

- Patikrinkite uždegimo žvakę.
- Nuvalykite išorinius karbiuratoriaus paviršius ir aplinkinę zoną.
- Išvalykite aušinimo sistemą.
- Patikrinkite kibirkščių sulaikymo tinklėlį.
- Patikrinkite kuro filtrą.
- Patikrinkite, ar nepažeista kuro žarnelė.
- Patikrinkite visus laidus ir jungtis.

#### Kas 50 val. atliekama priežiūra

- Patvirtintame techninės priežiūros centre suremontuokite arba pakeiskite duslintuvą.

### Greičio tuščiaja eiga reguliavimas

- Prieš reguliuodami greitį tuščiaja eiga įsitikinkite, kad oro filtras švarus, o oro filtro dangtelis pritvirtintas.
- Reguliuokite greitį tuščiaja eiga greičio tuščiaja eiga reguliavimo varžtu T, kurį nurodo žymė „T“.
- Greitis tuščiaja eiga yra tinkamas, kai variklis tolygiai veikia visose padėtyse.

(Pav. 31)

1. Norėdami padidinti greitį pasukite greičio tuščiaja eiga reguliavimo varžtą pagal laikrodžio rodyklę.

2. Norėdami sumažinti greitį pasukite greičio tuščiaja eiga reguliavimo varžtą prieš laikrodžio rodyklę.

### Kibirkščių sulaikymo tinklelio priežiūra

Valykite kibirkščių sulaikymo tinklėlį vieliniu šepetėliu.

### Aušinimo sistemos valymas

(Pav. 32)

Nuvalykite aušinimo sistemos dalis šepetėliu.

### Uždegimo žvakės tikrinimas



**PASTABA:** Visada naudokite rekomenduojamo tipo žvakes. Netinkamo tipo uždegimo žvakė gali pažeisti gaminį.

- Patikrinkite uždegimo žvakę, jei variklio galingumas mažas, ji sunku paleisti arba jis netinkamai veikia tuščiaja eiga.
- Norėdami sumažinti pašalinių medžiagų atsiradimą ant uždegimo žvakės elektrodų, laikykitės šių instrukcijų:
  - a) Įsitikinkite, kad tinkamai sureguliuotas greitis tuščiaja eiga.
  - b) Įsitikinkite, kad naudojate tinkamą kuro mišinį.
  - c) Patikrinkite, ar oro filtras yra švarus.
- Jeigu uždegimo žvakė purvina, nuvalykite ją ir patikrinkite, ar nustatytas tinkamas tarpas tarp elektrodų, žr. *Techniniai duomenys psl. 165*. (Pav. 33)
- Esant reikalui pakeiskite uždegimo žvakę.

### Oro filtro priežiūra

#### Kaip išvalyti oro filtrą

1. Nuimkite oro filtro dangtelį ir išimkite oro filtrą. (Pav. 34)
2. Išplaukite oro filtrą šilte muiluotame vandenyje. Prieš sumontuodami oro filtrą, palaukite, kol jis išdžius.
3. Pakeiskite oro filtrą, jei jis toks purvinas, kad jo nebeįmanoma išplauti. Visada pakeiskite pažeistą oro filtrą.
4. Jei gaminyje naudojamas poroloninis oro filtras, naudokite oro filtrų alyvą. Oro filtrų alyvą naudokite tik porolono filtrui. Nenaudokite alyvos veltiniam oro filtrui.

## Techniniai duomenys

	gaminys	125B (125B28HV)	125BX (125B28HV)	125BVX (125B28HV)
<b>Variklio specifikacija</b>				
Cilindro darbinis tūris	cm <sup>3</sup>	28	28	28
Tarpas tarp elektrodų	mm	0,6	0,6	0,6
Kuro bakelio tūris	cm <sup>3</sup>	500	500	500
Greitis tuščiaja eiga	min <sup>-1</sup>	2800–3200	2800–3200	2800–3200
Didžiausios galios greitis	min <sup>-1</sup>	8 000	8 000	8 000
Galia	kW	0,8	0,8	0,8
Uždegimo žvakė		„Champion RCJ-6Y“	„Champion RCJ-6Y“	„Champion RCJ-6Y“
Didžiausio greičio pūtimo režimas	min <sup>-1</sup>	8 600	8 600	8 600
Didžiausio greičio siurbimo režimas	min <sup>-1</sup>	–	7 500	7 500
Išmetamų filtro charakteristikų ilgaamžiškumo laikotarpis	h	50	50	50
<b>Triukšmo ir vibracijos duomenys</b>				
Atitinkamas vibracijos lygis rankenėlėse su pūstuvo vamzdžiais ir antgaliu (originalus) – žr. 1 pastabą	m/s <sup>2</sup>	11,03	11,03	11,03
Atitinkamas vibracijos lygis rankenėlėse su siurbimo vamzdžiais ir antgaliu (originalus), kair./dešin. – žr. 1 pastabą	m/s <sup>2</sup>	--/--	12,16 / 12,29	12,16 / 12,29
Atitinkamas garso slėgio lygis operatoriaus ausims išmatuojamas pagal ISO 22868, įrenginiuose su įtaisytais pūstuvo vamzdžiais ir antgaliu (originalus) – žr. 3 pastabą	dB (A)	96	96	96
Garso slėgis šalia stovinčio asmens ausims išmatuojamas pagal ANSI B175.2, įrenginiuose su įtaisytais pūstuvo vamzdžiais ir antgaliu (originalus)	dB (A)	71	71	71
Triukšmo lygis, išmatuotas – žr. 2 pastabą	dB (A)	109	109	109
Triukšmo lygis, garantuotas (L <sub>WA</sub> ) – žr. 2 pastabą	dB (A)	112	112	112
<b>Gaminio matmenys</b>				
Svoris (be kuro, bet su pūstuvo vamzdžiu ir prijungtu standartiniu antgaliu)	kg	4,3	4,4	4,4

**1 pastaba.** Pateiktuose atitinkamo vibracijos lygio duomenyse yra 1 m/s<sup>2</sup> tipiška statistinė sklaida (standartinis nuokrypis).

**2 pastaba.** Triukšmas, skleidžiamas į aplinką, išmatuotas kaip garso galia ( $L_{WA}$ ) pagal EB direktyvą 2000/14/ EB. Pateiktas įrenginio garso stiprumo lygis buvo išmatuotas naudojant didžiausią garsą sukeltantį originalų įtaisą. Skirtumas tarp garantuojamojo ir matuojamojo garso stiprumo yra tas, kad pagal Direktyvą 2000/14/EB garantuojamasis garso stiprumas apima ir matavimo rezultatų sklaidą bei nukrypimus tarp skirtingų to pačio modelio įrenginių.

**3 pastaba.** Pateiktuose duomenyse apie ekvivalentinį įrenginio garso slėgio lygį yra 1 dB (A) tipiška statistinė sklaida (standartinis nuokrypis).

Ventiliatorius	Gaminys	125B	125BX	125BVX
Tipas		Radialinis ventiliatorius	Radialinis ventiliatorius	Radialinis ventiliatorius
Maksimalus oro greitis, standartinis antgalis	km/h	217	217	217
Maksimalus oro greitis, didelio greičio antgalis*	km/h	273	273	273
Oro tūris pūtimo režimu	kub. pėdos / min	425	425	425
Oro tūris siurbimo režimu	kub. pėdos / min	–	445	445
* kai kurių modelių papildoma įranga				

## Priedai

125B, 125BX, 125BVX	
<b>Patvirtinti priedai</b>	<b>Tipas</b>
Latakų valymo rinkinys	952 711 918
125BX, 125BVX	
<b>Patvirtinti priedai</b>	<b>Tipas</b>
Siurbimo rinkinys	952 711 913
125B	
<b>Patvirtinti priedai</b>	<b>Tipas</b>
Didelio greičio antgalis	545 119 501

## EB atitikties deklaracijos turinys

Mes, Husqvarna AB, SE 561 82 Huskvarna, SWEDEN, savo atsakomybe pareiškiamo, kad pateiktas gaminy:

<b>Aprašas</b>	<b>Gasoline Blower/ Blower-Vacuum</b>
Gamintojas	Husqvarna

<b>Aprašas</b>	<b>Gasoline Blower/ Blower-Vacuum</b>
Platforma / tipas / modelis	Platforma 125B28HV, atitinkanti modelį 125B, 125BX, 125BVX
Partija	Serijos numerių data nuo 2019

visiškai atitinka šias ES direktyvas ir reikalavimus:

<b>Direktyva / reikalavimas</b>	<b>Aprašas</b>
2006/42/EC	„dėl mašinų“
2014/30/EC	„dėl elektromagnetinio suderinamumo“
2000/14/EC	„dėl triukšmo lauke“
2011/65/EU	„dėl tam tikrų pavojingų medžiagų naudojimo“

Taikomi tokie darnieji standartai ir (arba) techninės specifikacijos: EN ISO 12100, EN ISO 1186-1, CISPR 12, ISO 14982, EN 50581

Pagal 2000/14/EC direktyvos V priedą nustatytosios garso vertės pateikiamos šios instrukcijos techninių duomenų skyriuje iri pasirašytoje EB atitikties deklaracijoje.

Intertek atliko neatlygintą tyrimą bendrovės „Husqvarna AB“ vardu ir pateikia EB komisijos 2006/42/EC direktyvos dėl mašinų atitikties sertifikatą.

Šis sertifikatas, kaip nurodyta pasirašytoje EB atitikties deklaracijoje, galioja visoms gamybos vietoms ir kilmės šalims, nurodytoms gaminio etiketėje.

Pristatytas Gasoline Blower/ Blower-Vacuum atitinka kontrolę praėjusį pavyzdį.

---

# Saturs

---

Ievads.....	168	Apkope.....	174
Drošība.....	169	Tehniskie dati.....	176
Montāža.....	172	Piederumi.....	177
Lietošana.....	172	EK atbilstības deklarācijas saturs.....	177

---

## Ievads

---

### Lietotāja rokasgrāmata

Šīs lietotāja rokasgrāmatas sākotnējā valoda ir angļu. Lietotāja rokasgrāmatas citās valodās ir tulkojumi no angļu valodas.

(Att. 1)

1. Plecu sikсна (125BVX)
2. Drošesle mēlīte
3. APTURĒŠANAS slēdzis
4. Apgrīezienu skaita regulēšana
5. Ventilatora korpus
6. Degvielas tvertnes vāciņš
7. Gaisa filtrs
8. Gaisa drosele
9. Degvielas sūkns
10. Ieplūdes pārsegs
11. Sūcēja rokturis (125BX un 125BVX)
12. Griežņi (125BX un 125BVX)
13. Ventilatora lāpstīņrats
14. Standarta sprausla
15. Ātras darbības sprausla (125BX un 125BVX)
16. Pūtēja caurule
17. Caurules skavas skrūve
18. Caurules skavas uzgriežņi
19. Trokšņa slāpētājs
20. Zemējuma vads
21. Startera rokturis
22. Startera ierīce
23. Karburatora regulēšanas skrūves
24. Lietotāja rokasgrāmata
25. Sūcēja ierīce ar savākšanas detaļām, kas ietver elementu 26–30 komplektu
26. Savākšanas maisa caurule
27. Savākšanas maiss
28. Sūkšanas caurule divās daļās
29. Skrūve
30. Plecu sikсна

### Simboli uz izstrādājuma

(Att. 2) Brīdinājums

(Att. 3) Izlasiet šo rokasgrāmatu

### Pārskats

- (Att. 4) Izmantojiet apstiprinātus dzirdes aizsarglīdzekļus
- (Att. 4) Izmantojiet apstiprinātus acu aizsarglīdzekļus
- (Att. 4) Izmantojiet apstiprinātu putekļu masku
- (Att. 5) Izmantojiet apstiprinātus aizsargcimdus
- (Att. 6) Izstrādājums var izsviest objektus, kas var radīt acu traumas
- (Att. 7) Drošs attālums
- (Att. 8) Netuvojieties lāpstīņratam, kad tas griežas
- (Att. 9) Neļaujiet bērniem tuvuoties izstrādājumam
- (Att. 10) Skaņas jaudas līmenis
- (Att. 11) Trokšņa līmenis
- (Att. 12) Garus matus sasieniet, lai tie būtu virs pleciem
- (Att. 13) Šis izstrādājums atbilst piemērojamo EK direktīvu prasībām
- (Att. 14) Šis izstrādājums atbilst piemērojamo EAC direktīvu prasībām
- (Att. 15) Šis izstrādājums atbilst piemērojamo Ukrainas direktīvu prasībām

---

**Piezīme:** Pārējie uz izstrādājuma norādītie simboli/uzlīmes attiecas uz citu tirdzniecības nozaru prasībām.

---

### Euro V emisija

---



**BRĪDINĀJUMS:** Motora atvēršana anulē šī kādes zāģa ES tipa apstiprinājumu.

---



## Atbildība par izstrādājuma kvalitāti

Saskaņā ar likumiem par izstrādājuma kvalitāti mēs neuzņemamies atbildību par bojājumiem, ko radījis mūsu izstrādājums, ja:

- ir veikts nepareizs izstrādājuma remonts;

- izstrādājuma remonts ir veikts, izmantojot detaļas, ko nav nodrošinājis vai apstiprinājis ražotājs;
- izstrādājumam tiek pievienots piederums, ko nav nodrošinājis vai apstiprinājis ražotājs;
- izstrādājuma remonts nav veikts pilnvarotā remontdarbničā vai pie pilnvarota speciālista.

## Drošība

### Drošības definīcijas

Tālāk sniegtās definīcijas norāda katra signālvārda nozīmīguma līmeni.



**BRĪDINĀJUMS:** Traumas.



**IEVĒROJIET:** Izstrādājuma bojājumi.

**Piezīme:** Šī informācija atvieglo izstrādājuma lietošanu.

### Vispārīgi norādījumi par drošību



**BRĪDINĀJUMS:** Pirms sākat lietot izstrādājumu, izlasiet tālāk izklāstītās brīdinājuma instrukcijas.

- Lietojiet izstrādājumu pareizi. Nepareiza lietošana var radīt smagas vai nāvējošas traumas. Izmantojiet izstrādājumu tikai šajā rokasgrāmatā aprakstītajiem darbiem. Nelietojiet izstrādājumu citiem uzdevumiem.
- Ievērojiet šīs rokasgrāmatas norādījumus. Ievērojiet drošības simbolus un drošības instrukcijas. Ja operators neievēro norādījumus un simbolus, var tikt radīti aprikojuma bojājumi, smagas vai nāvējošas traumas.
- Neizmetiet šo rokasgrāmatu. Izmantojiet norādījumus, lai saliktu, lietotu un uzturētu šo izstrādājumu labā stāvoklī. Izmantojiet norādījumus pareizai palīģerīču un piederumu uzstādīšanai. Izmantojiet tikai apstiprinātās palīģerīces un piederumus.
- Nelietojiet bojātu izstrādājumu. Ievērojiet apkopes grafiku. Veiciet tikai tos apkopes darbus, kas aprakstīti šajā rokasgrāmatā. Pārējos apkopes darbus uzticiet pilnvarotam apkopes centram.
- Šī rokasgrāmata nevar ietvert visas situācijas, kas var rasties, izmantojot šo izstrādājumu. Esiet uzmanīgs un saprātīgs. Nelietojiet pūtēju un neveiciet tā apkopi, ja neesat drošs par radušos situāciju. Sazinieties ar izstrādājuma speciālistu, izplatītāju, apkopes pārstāvi vai pilnvarotu apkopes centru, lai saņemtu papildinformāciju.
- Pirms izstrādājuma montāžas, novietošanas uzglabāšanā vai apkopes veikšanas atvienojiet aizdedzes sveces kabeli.
- Neizmantojiet izstrādājumu, ja tā sākotnējā specifikācija ir mainīta. Nemainiet izstrādājuma detaļas bez ražotāja apstiprinājuma. Lietojiet tikai ražotāja apstiprinātas rezerves daļas. Veicot nepareizu apkopi, var tikt radītas smagas vai nāvējošas traumas.
- Neieelpojiet dzinēja radītos izgarojumus. Ilgstoša dzinēja izplūdes gāzu ieelpošana var apdraudēt veselību.
- Nelietojiet izstrādājumu telpās vai ugunsnedrošu materiālu tuvumā. Izplūdes gāzes ir karstas un var saturēt dzirkstelī, kas var izraisīt aizdegšanos. Nepietiekama gaisa plūsma var izraisīt savainojumus vai nāvi, nosmokot vai saindējoties ar oglekļa monoksīdu (tvana gāzi).
- Produkta lietošanas laikā tā dzinējs rada elektromagnētisko lauku. Elektromagnētiskais lauks var radīt medicīnisko implantātu bojājumus. Pirms izmantot izstrādājumu, sazinieties ar ārstu vai medicīniskā implantāta ražotāju.
- Neļaujiet bērniem lietot šo izstrādājumu. Neļaujiet izstrādājumu lietot personai, kas nav iepazinusies ar lietošanas norādījumiem.
- Ja izstrādājumu izmanto persona ar samazinātām fiziskajām vai garīgajām spējām, vienmēr uzraugiet šo personu. Tuvumā vienmēr jābūt pieaugušajam.
- Ieslēdziet izstrādājumu vietā, kurai nevar piekļūt bērni un nepiederošas personas.
- Izstrādājums var izsviest objektus un radīt traumas. Ievērojiet drošības instrukcijas, lai samazinātu smagu vai nāvējošu traumu gūšanas risku.
- Neatstājiet izstrādājumu, kad darbojas tā dzinējs.
- Izstrādājuma lietotājs ir atbildīgs par radušos negadījumu.
- Pirms izstrādājuma lietošanas pārliecinieties, vai tā detaļas nav bojātas.
- Pirms pūtēja lietošanas pārliecinieties, vai atrodaties vismaz 15 m (50 pēdu) attālumā no citām personām vai dzīvniekiem. Noskaidrojiet, vai apkārtējie zina, ka lietojis pūtēju.
- Ievērojiet valsts vai vietējos likumus. Tie var neļaut vai ierobežot izstrādājuma lietošanu noteiktos apstākļos.
- Neizmantojiet šo izstrādājumu, ja esat noguris vai lietojis alkoholu, narkotikas vai medikamentus. Šīs

vielas var ietekmēt jūsu redzi, modrību, koordināciju vai spriestspēju.

## Drošība saistībā ar vibrācijām

Šis izstrādājums ir paredzēts tikai neregulārai ekspluatācijai. Izstrādājuma ilgstoša vai regulāra lietošana vibrāciju dēļ var izraisīt "balto pirkstu" sindromu vai līdzīgas medicīniskas problēmas. Ja lietojat šo izstrādājumu ilgstoši un regulāri, pārbaudiet roku un pirkstu stāvokli. Ja rokas vai pirksti kļūst bāli, sāp, tirpst vai kļūst nejutīgi, pārtrauciet darbu un nekavējoties sazinieties ar ārstu.

## Drošības norādījumi pūtēja lietošanai

- Izmantojiet izstrādājumu tikai uz zemes esošo lapu un nefūrumu pūšanai un savākšanai.
- Neizmantojiet šo izstrādājumu, ja esat noguris, slims vai esat alkohola, narkotiku vai medikamentu ietekmē.
- Neļaujiet apkārt stāvošajiem vai dzīvniekiem atrasties ierīcei tuvāk par 15 m (50 pēdām).
- Ierīce var izsviest objektus lielā ātrumā, kas rikošeta var trāpīt operatoram. Tādējādi var tikt radīta acu trauma.
- Nevērsiet pūtēja sprauslu cilvēku vai dzīvnieku virzienā.
- Garus matus sasieniet, lai tie būtu virs pleciem.
- Pirms piederumu vai citu sastāvdaļu pievienošanas vai atvienošanas izslēdziet dzinēju.
- Nelietojiet izstrādājumu bez aizsarga.
- Nelietojiet izstrādājumu, ja darba zonā atrodas citas personas. Pārtrauciet lietot izstrādājumu, ja darba zonā ienāk cita persona.
- Neizmantojiet izstrādājumu vietā ar nepietiekamu ventilāciju. Nepietiekama gaisa plūsma var radīt traumu vai nāvi, nosmokot vai saindējoties ar oglekļa monoksīdu (tvana gāzi).
- Trokšņa slāpētājs ir karsts, ierīcei darbojoties, pēc tās apturēšanas, gan arī darbojoties tukšgaitas ātrumā. Esiet uzmanīgs, atrodoties ugunsdrošu materiālu un ugunsdrošu tvaiku tuvumā.
- Nepieskarieties iepļūdes pārsega vietai. Sargieties, lai iepļūdes vietai netuvotos jūsu rotaslietas vai valīgs apģērbs.
- Vienmēr stāviet stabili un lietojiet izstrādājumu tikai uz drošām un līmeniskām virsmām. Slidenas vai nestabilas virsmas, piemēram, kāpnes, var izraisīt līdzsvara vai kontroles zudumu.
- Nelietojiet izstrādājumu augstumā, piemēram, uz jumta.
- Pārvadāšanas laikā nostipriniet izstrādājumu.
- Lietojiet izstrādājumu tikai ieteicamajā darba laikā. Ievērojiet vietējos noteikumus. Parasti ieteicams strādāt no pirmdienas līdz sestdienai laikā no 9:00 līdz 17:00.
- Darbiniet izstrādājumu ar pēc iespējas mazāk atvērtu droseli.

- Gādājiet, lai jūs nepakristu, lietojot izstrādājumu. Nepieliecieties izstrādājuma lietošanas laikā.
- Pirms lietošanas pārbaudiet, vai izstrādājums ir labā stāvoklī, it īpaši trokšņa slāpētājs, gaisa iepļūdes sistēma un gaisa filtrs.
- Pirms izstrādājuma lietošanas ar slotu vai suku izkustiniet gruzus.
- Ja darba vieta ir neīra, apsmidziniet to ar ūdeni, izmantojot šļūteni.
- Izmantojiet izstrādājumu kā alternatīvu šļūtenei, lai taupītu ūdeni.
- Droši aizpūtiēt gruzus. Uzmanieties no bērniem, dzīvniekiem, atvērtiem logiem un transportlīdzekļiem.
- Nevērsiet izstrādājumu pret trausliem augiem.
- Nepūtiēt gaisu pret sienām, lieliem akmeņiem, transportlīdzekļiem un žogiem.
- Ja tīrīt iekšējos stūrus, pūtiēt no stūra un tad uz darba vietas centru. Pretējā gadījumā nefūrumi var trāpīt jūsu sejai un radīt acu traumu.
- Izmantojiet pilnu sprauslas pagarinājumu, lai gaisa plūsma turētos zemes tuvumā.
- Izmantojiet pilnu sprauslas pagarinājumu, lai gaisa plūsma turētos zemes tuvumā.
- Pēc izstrādājuma lietošanas izmetiet savāktos nefūrumus atkritumu urnās.

## Drošības norādījumi saistībā ar sūcēja lietošanu

- Nepieļaujiet ventilatora bojājumu rašanos. Neiesūciēt lielus, cietus objektus, piemēram, koka gabalus, skārdenes, gumijas mulču vai garus stieples gabalus.
- Neļaujiet sūcēja caurulei atsities pret zemi.
- Apturiet dzinēju un atvienojiet aizdedzes sveces uzgali pirms likvidēt nosprostojumus vai izņemt iestrēgušu materiālu.

## Individuālais aizsargaprīkojums

- Lietojot izstrādājumu, vienmēr izmantojiet atbilstošu individuālais drošības aprīkojumu. Individuālais drošības aprīkojums neizslēdz savainojumu risku. Individuālais drošības aprīkojums samazina negadījuma rezultātā radušos savainojumu smagumu.
- Strādājot ar produktu, vienmēr izmantojiet atbilstošus acu aizsarglīdzekļus.
- Nestrādājiet ar produktu basām kājām vai sandalēs. Vienmēr velciet darba apavus ar neslidošām zolēm.
- Velciet izturīgas garās bikses.
- Ja nepieciešams, izmantojiet atbilstošus aizsargcimdus.
- Ja pastāv iespēja, ka uz galvas var krist objekti, izmantojiet ķiveri.
- Lietojot izstrādājumu, vienmēr izmantojiet atbilstošus ausu aizsarglīdzekļus. Ilgstošs trokšnis var izraisīt dzirdes zudumu.

- Lietojot izstrādājumu putekljinā vidē, vienmēr lietojiet apstiprinātu putekļu masku.
- Pārlicinieties, vai tuvumā atrodas pirmās palīdzības sniegšanas komplekts.

## Izstrādājuma aizsargierīces

- Regulāri veiciet izstrādājuma apkopi.
  - Tiek pagarināts izstrādājuma darbmužs.
  - Tiek samazināts negadījumu risks.

Ļaujiet pilnvarotam izplatītājam vai pilnvarotam apkopes centram regulāri pārbaudīt izstrādājumu, lai veiktu regulēšanu vai remontu.

- Neizmantojiet izstrādājumu, ja ir bojāts drošības aprīkojums. Ja izstrādājums ir bojāts, sazinieties ar pilnvarotu apkopes centru.

## Apturēšanas slēdzis

Iedarbiniet dzinēju. Pārlicinieties, vai, pārlēdzot apturēšanas slēdzi apturēšanas stāvoklī, dzinējs apstājas.  
(Att. 16)

## Trokšņa slāpētājs



**BRĪDINĀJUMS:** Nepieskarieties karstam trokšņa slāpētājam. Trokšņa slāpētājs ir ļoti karsts dzinēja darbības laikā un pēc tā apturēšanas. Pieskaroties trokšņa slāpētājam, varat apdedzināties.

- Neizmantojiet dzinēju, kura trokšņa slāpētājs ir bojāts. Bojāts trokšņa slāpētājs palielina trokšņa līmeni un aizdegšanās risku. Turiet tuvumā ugunsdzēsamo aparātu.
- Regulāri pārbaudiet izstrādājumam pievienoto trokšņa slāpētāju.
- Nepieskarieties dzinējam vai trokšņa slāpētājam, kad dzinējs darbojas. Nepieskarieties dzinējam vai trokšņa slāpētājam vēl brīdi pēc dzinēja apturēšanas. Karstas virsmas var izraisīt savainojumus.
- Karsts trokšņa slāpētājs var radīt aizdegšanos. Esiet uzmanīgs, ja izmantojat izstrādājumu uzliesmojošu šķidrums vai tvaiku tuvumā.
- Nepieskarieties trokšņa slāpētāja detaļām, ja trokšņa slāpētājs ir bojāts. Detaļas var saturēt kancerogēnas ķīmikālijas.
- Dažiem pūtēja modeļiem ir dzirksteļu uztvērēja režģis. Tīriet un nomainiet to norādītajos intervālos. Skatiet sadaļu Upkeep (

(Att. 17)

*Apkope lpp. 174).*

## Drošības norādījumi, rīkojoties ar degvielu

- Nelietojiet izstrādājumu, ja uz tā ir degviela vai dzinēja eļļa. Notīriet nevēlamo degvielu/eļļu un ļaujiet

izstrādājumam nožūt. Notīriet no izstrādājuma nevēlamo degvielu.

- Ja degviela ir nokļuvusi uz apģērba, nekavējoties pārģērbieties.
- Neļaujiet degvielai nonākt uz ķermeņa, jo tā var izraisīt savainojumus. Ja degviela ir nonākusi uz ķermeņa, izmantojiet ziepes un ūdeni, lai to nomazgātu.
- Neiedarbiniet dzinēju, ja uz izstrādājuma vai jūsu ķermeņa ir izlijusi eļļa vai degviela.
- Nelietojiet izstrādājumu, ja dzinējā ir sūce. Regulāri pārbaudiet, vai dzinējam nav radusies sūce.
- Rīkojoties ar degvielu, esiet uzmanīgs. Degviela ir viegli uzliesmojoša, tās tvaiki ir sprādzienbīstami, un var izraisīt savainojumus vai nāvi.
- Neieelpojiet degvielas tvaikus, jo tie var izraisīt savainojumus. Pārlicinieties, vai gaisa plūsma ir pietiekama.
- Nesmēķējiet degvielas vai dzinēja tuvumā.
- Novietojiet siltus objektus degvielas vai dzinēja tuvumā.
- Nepievienojiet degvielu dzinēja darbības laikā.
- Pirms degvielas uzpildes pārlicinieties, vai dzinējs ir atdzisis.
- Pirms uzpildes lēni atveriet degvielas tvertnes vāciņu un uzmanīgi izlaidiet spiedienu.
- Neveiciet dzinēja degvielas uzpildi telpās. Nepietiekama gaisa plūsma var izraisīt savainojumus vai nāvi, nosmokot vai saindējoties ar oglekļa monoksīdu (tvana gāzi).
- Rūpīgi pievelciet degvielas tvertnes vāciņu, lai neizraisītu aizdegšanos.
- Pirms iedarbināšanas pārvietojiet izstrādājumu vismaz 3 m (10 pēdu attālumā) no vietas, kur veicāt uzpildi.
- Neļiejiet degvielas tvertnē pārāk daudz degvielas.
- Pārlicinieties, vai, pārvietojot izstrādājumu vai degvielas tvertni, nerodas sūce.
- Novietojiet izstrādājumu vai degvielas tvertni vietā, kur ir atklāta uguns, dzirksteles vai signāllampīņas. Pārlicinieties, vai uzglabāšanas vietā nav atklāta uguns.
- Degvielas pārvietošanai un uzglabāšanai izmantojiet tikai tam paredzētas tvertnes.
- Pirms ilgstošas uzglabāšanas iztukšojiet degvielas tvertni. Ievērojiet vietējos noteikumus par atbrīvošanos no degvielas.
- Pirms ilgstošas uzglabāšanas notīriet izstrādājumu.
- Pirms izstrādājuma novietošanas glabāšanā izņemiet aizdedzes sveci, lai nodrošinātu, ka dzinējs nejauši iesieslēdzas.

## Norādījumi par drošu apkopi



**BRĪDINĀJUMS:** Nepareizas apkopes dēļ var tikt būtiski bojāts dzinējs vai rasties smaga trauma.

Izstrādājuma īpašnieks ir atbildīgs par visas nepieciešamās apkopes veikšanu, kā norādīts lietotāja rokasgrāmatā. Pirms apkopes atvienojiet aizdedzes

sveci. Neatvienojiet aizdedzes sveci pirms karburatora regulēšanas.

---

## Montāža

---



**BRĪDINĀJUMS:** Pirms izstrādājuma montāžas iepazīstieties ar drošības norādījumiem.

---

### Pūtēja caurules un sprauslas uzstādīšana uz izstrādājuma

---

**Piezīme:** Lai ievietotu pūtēja cauruli pūtēja izvadā, skrūvei jābūt pietiekami vaļīgai. Ar skrūvgriezi grieziet skrūvi pretēji pulksteņrādītāju kustības virzienam, lai to atlaistu.

1. Salāgojiet augšējās pūtēja caurules izcilni ar pūtēja izvada rievu. Ievietojiet cauruli paredzētajā vietā.
2. Ar skrūvgriezi grieziet skrūvi pulksteņrādītāju kustības virzienā, lai nostiprinātu cauruli.

**Piezīme:** Nelietojiet nekādu darbarīku uzgriežnim.

3. Salāgojiet apakšējās pūtēja caurules spraugas ar augšējās pūtēja caurules mēlītēm. Uzbīdīet apakšējo pūtēja cauruli uz augšējās pūtēja caurules.
4. Grieziet apakšējo pūtēja cauruli pulksteņrādītāju kustības virzienā, līdz atskan klikšķis.

---

### Savākšanas maisa uzstādīšana ar dažādām sūkšanas caurulēm

---



**BRĪDINĀJUMS:** Pirms piestiprināt caurules izstrādājumam, izslēdziet dzinēju.

---

#### Savākšanas maisa montāža

1. Atveriet savākšanas maisu.
2. Ievietojiet savākšanas maisa cauruli no maisa iekšpuses, lai to pielāgotu sūcēja ievades atverei.
3. Pārbaudiet, vai elastīgā daļa fiksējas rievā (A).
4. Aizveriet maisa rāvējslēdzēju. (Att. 18)

---

#### Savākšanas maisa caurules uzstādīšana

1. Noņemiet pūtēja cauruli, ja tā ir pievienota.
2. Salāgojiet savākšanas maisa caurules izcilni (A) ar pūtēja izvada rievu (B).
3. Uzbīdīet savākšanas maisa cauruli pilnībā uz pūtēja izvada.
4. Ievietojiet uzgriezni (C) tam paredzētajā atverē.
5. Ievietojiet skrūvi (D) un ar skrūvgriezi grieziet to, lai piestiprinātu cauruli. (Att. 19)

---

#### Sūkšanas cauruļu sastiprināšana

1. Salāgojiet apakšējās sūkšanas caurules bultiņu (A) ar augšējās sūkšanas caurules bultiņu (B).
2. Iespiediet apakšējo sūkšanas cauruli augšējā sūkšanas caurulē.
3. Izmantojot skrūvgriezi, uzstādiet pašvītņgriezes skrūvi (C), kas satur caurules kopā. (Att. 20)

---

#### Sūkšanas cauruļu uzstādīšana

1. Ievietojiet skrūvgrieža galu sūkšanas ievades atveres fiksatorā.
2. Pagrieziet skrūvgriezi, lai atbrīvotu fiksatoru. (Att. 21)
3. Turiet sūkšanas iepildes pārsegu atvērtu, līdz augšējā sūkšanas caurule ieņem paredzēto vietu.
4. Salāgojiet sūkšanas ievades iekšpusē esošās ribas ar augšējās sūkšanas caurules atverēm. Pārliecinieties, vai bloķēšanas simbols uz caurules ir salāgots ar atbloķēšanas simbolu uz sūkšanas ievades atveres. (Att. 22)
5. Uzspiediet augšējo sūkšanas cauruli līdz galam uz sūkšanas ievades atveres.
6. Pagrieziet augšējo sūkšanas cauruli pulksteņrādītāja kustības virzienā, līdz bloķēšanas simbols uz caurules salāgojas ar bloķēšanas simbolu uz sūkšanas ievades atveres. Kad caurule ir pareizi pievienota, atskan klikšķis. (Att. 23)

---

## Lietošana

---



**BRĪDINĀJUMS:** Pirms izstrādājuma lietošanas izlasiet un izprotiet drošības norādījumus.

---

### Degviela

---

#### Degvielas izmantošana



**IEVĒROJIET:** Šim izstrādājumam ir divtaktu dzinējs. Izmantojiet benzīna un divtaktu dzinēja eļļas maisījumu. Pārliecinieties, vai maisījumā ir pareizs daudzums eļļas.

Nepareiza benzīna un eļļas proporcija var radīt dzinēja bojājumus.

## Benzīns



**IEVĒROJIET:** Neizmantojiet benzīnu, kura oktānskaitlis ir mazāks par 90 RON (87 AKI). Pretējā gadījumā produkts var tikt bojāts.



**IEVĒROJIET:** Neizmantojiet benzīnu, kurā etanola koncentrācija pārsniedz 10% (E10). Pretējā gadījumā izstrādājums var tikt bojāts.



**IEVĒROJIET:** Nelietojiet benzīnu ar svina piemaisījumu! Pretējā gadījumā izstrādājums var tikt bojāts.

- Vienmēr izmantojiet nelietotu bezsvina benzīnu ar oktānskaitli, kas nav mazāks par 90 RON (87 AKI) un kura etanola koncentrācija nepārsniedz 10% (E10).
- Ja bieži lietojat izstrādājumu ar ilgstošiem augstiem dzinēja apgriezieniem, izmantojiet benzīnu ar augstāku oktānskaitli.
- Vienmēr izmantojiet labas kvalitātes bezsvina benzīna un eļļas maisījumu.

## Divu ciklu motoreļļa

- Izmantojiet tikai augstas kvalitātes divu ciklu motoreļļu. Izmantojiet tikai motoreļļu ar gaisa dzesēšanu.
- Neizmantojiet citu veidu eļļas.
- Maisījuma proporcija 50:1 (2%)

Benzīns	Eļļa
1 ASV galons	77 ml (2,6 unces)
1 AK galons	95 ml (3,2 unces)
5 l	100 ml (3,4 unces)

## Degvielas maisījuma izveide

**Piezīme:** Degvielas maisījuma izveidei vienmēr izmantojiet tīru degvielas konteineru.

**Piezīme:** Veidojiet degvielas maisījumu, kas nepieciešams ne vairāk kā 30 dienām.

1. Pievienojiet pusi no nepieciešamā benzīna.
2. Pievienojiet visu daudzumu eļļas.
3. Sakratiet degvielas maisījumu, lai sajauktu sastāvdaļas.
4. Pievienojiet atlikušo benzīnu.
5. Sakratiet degvielas maisījumu, lai sajauktu sastāvdaļas.

6. Uzpildiet degvielas tvertni.

## Degvielas pievienošana

- Vienmēr izmantojiet degvielas konteineru ar aizsargaprīkojumu pret pārplūšanu.
- Ja konteinerā paliek degviela, iztukšojiet to un ļaujiet konteineram izžūt.
- Pārliecinieties, vai vieta ap degvielas tvertnes vāciņu ir tīra.
- Pirms degvielas maisījuma uzpildes degvielas tvertnē sakratiet degvielas konteineru.

## Ieslēgšana un izslēgšana

### Pirms dzinēja iedarbināšanas

- Pārbaudiet, vai izstrādājumam nav trūkstošas, bojātas, vaļīgas vai nolietotas detaļas.
- Pārbaudiet savākšanas maisu. Pārliecinieties, vai savākšanas maiss nav bojāts un rāvējslēdzējs ir aizvilkiets.
- Pārbaudiet uzgriežņus un skrūves.
- Pārbaudiet gaisa filtru.
- Pārbaudiet, vai droseles mēlīte darbojas pareizi.
- Pārbaudiet, vai apturēšanas slēdzis darbojas pareizi.
- Pārbaudiet, vai izstrādājumā nav degvielas noplūdes.

### Auksta dzinēja iedarbināšana



**BRĪDINĀJUMS:** Netiniet startera auklu ap roku.



**IEVĒROJIET:** Neturiet izstrādājuma ar kāju.



**IEVĒROJIET:** Nevelciet startera auklu līdz galam. Neatļaidiet startera auklas rokturi, kad aukla izvilkta. Tādējādi var sabojāt ierīci.

**Piezīme:** Ja dzinējs apstājas, pārvietojiet droseļvārsta vadības elementu aizvēršanas stāvoklī un vēlreiz veiciet iedarbināšanu.

1. Uzpildiet degvielas tvertni ar tīru degvielas maisījumu.
2. 10 reizes nospiediet startēšanas sūkni. (Att. 24)
3. Pārvietojiet dzinēja gaisa vārsta vadības elementu stāvoklī FULL CHOKE (aizvērts). (Att. 25)
4. Pārbīdīet maināma apgriezienu skaita vadības elementu līdz galam pretēji pulksteņrādītāju kustības virzienam. (Att. 26)
5. Ar kreiso roku turiet ierīces korpusu pie zemes.
6. Velciet startera auklas rokturi, līdz dzinējs mēģina darboties. Nevelciet vairāk nekā 3 reizes.

- Pārbīdīet droseļvārsta vadības elementu 1/2 stāvoklī un velciet startera auklas rokturi, līdz dzinējs sāk darboties. (Att. 27)
- Darbiniet dzinēju aptuveni 10 sekundes.
- Turiet nospiestu droseles mēlīti visu pārējo darbību laikā.
- Pārvietojiet droseļvārsta vadības elementu stāvoklī OFF CHOKE (atvērts). (Att. 28)
- Iesildiet dzinēju aptuveni 1 minūti.

### Silta dzinēja iedarbināšana

- Turiet nospiestu droseles mēlīti.
- Pārvietojiet droseļvārsta vadības elementu 1/2 stāvoklī.
- Strauji velciet startera auklas rokturi, vienlaikus spiežot droseles mēlīti, līdz dzinējs sāk darboties.
- Pārvietojiet droseļvārsta vadības elementu stāvoklī OFF CHOKE (atvērts).

### Dzinēja apturēšana

- Nospiediet un atlaidiet dzinēja APTURĒŠANAS slēdzi. Slēdzis automātiski pārslēgsies atpakaļ IESLĒGŠANAS stāvoklī. Uzgaidiet 7 sekundes un tad mēģiniet pārstārtēt izstrādājumu, lai panāktu slēdža atiestati.

### Sprauslas izmantošana

- Izmantojiet parasto sprauslu, ja nepieciešama precizitāte un koncentrēta gaisa plūsma. (Att. 29)
- Lietojiet liela ātruma sprauslu, kad nepieciešama platāka gaisa plūsma un lielāks gaisa kustības ātrums. (Att. 30)

### Pūtēja sprauslas regulēšana

- Pagrieziet sprauslu pa kreisi, lai atvienotu bajonetes stiprinājumu.
- Pārvietojiet sprauslu vajadzīgajā stāvoklī.
- Pagrieziet sprauslu pa labi, līdz atskan klikšķis.

## Sūkšana

Pirms sūkšanas uzlieciet nepieciešamo drošības aprīkojumu.



**BRĪDINĀJUMS:** Pirms ierīces lietošanas pārliecinieties, vai savākšanas maiss nav bojāts un rāvējslēdzējs ir aizvilktis. Nelietojiet bojātu maisu. Tādējādi tiks novērsta traumas, ko rada lidojoši neīrumi. Strādājot ar kreiso roku, apdraudējums palielinās. Neļaujiet ķermenim saskarties ar izplūdes gāzu izvades daļu.



**BRĪDINĀJUMS:** Neieslēdziet pūtēju, ja ir atvērts vai bojāts ievades pārsegs (izņemot gadījumu, kad ir uzstādīta sūkšanas caurule).

- Lietojot pūtēju, savākšanas maiss jāpiekabina plecu siksnai. Siksnai jābūt uz pleca.
- Ieslēdziet pūtēju. Ievērojiet ieslēgšanas un apturēšanas sadaļas norādījumus *Ieslēgšana un izslēgšana lpp. 173*. Izlasiet drošības instrukcijas *Drošība lpp. 169*.

### Savākšanas maisa iztukšošana



**BRĪDINĀJUMS:** Vienmēr pārbaudiet savākšanas maisu. Pirms ierīces lietošanas pārliecinieties, vai maiss nav bojāts un rāvējslēdzējs ir aizvilktis. Nelietojiet bojātu maisu. Lidojoši neīrumi var radīt traumas. Esiet uzmanīgs, strādājot ar kreiso roku. Nepieskarieties izplūdes gāzu izvades vietai.

- Apturiet ierīci.
- Atveriet maisa sānu rāvējslēdzēju.
- Iztukšojiet savākšanas maisu.
- Aizvelciet rāvējslēdzēju.

## Apkope



**BRĪDINĀJUMS:** Pirms tīrīt, remontēt un apkopt zāģi, izlasiet un izprotiet drošības sadaļu.

### Apkopes grafiks

Obligāti ievērojiet apkopes grafiku. Intervāli tiek aprēķināti atbilstoši izstrādājuma ikdienas lietošanai. Ja nelietojat izstrādājumu katru dienu, intervāli ir atšķirīgi. Veiciet tikai tos apkopes darbus, kas minēti šajā rokasgrāmatā. Lai veiktu apkopes darbus, kas nav minēti šajā rokasgrāmatā, sazinieties ar pilnvarotu apkopes centru.

#### Ikdienas apkope

- Notīriet ārējās virsmas.
- Pārbaudiet apgriezīgu skaita vadības elementa un droseles mēlītes darbību. Nomainiet bojātās daļas.
- Pārbaudiet apturēšanas slēdzi. Ja nepieciešams, nomainiet to.
- Pārbaudiet tukšgaitas apgriezīgu skaitu.
- Iztīriet gaisa filtru. Ja nepieciešams, nomainiet to.
- Pārbaudiet, vai ievades pārsegu var fiksēt aizvēršanas stāvoklī. Pārliecinieties, vai lāpstīnrats ir tīrs.
- Pievelciet visus uzgriežņus un skrūves.
- Pārbaudiet, vai korpusos nav plaisu.

- Pārlicinieties, vai savākšanas maiss nav bojāts un rāvējslēdzējs darbojas. Ja nepieciešams, nomainiet maisu.

### Iknedējas apkope

- Pārbaudiet startera ierīces, startera auklas un spriegojuma atsperes stāvokli. Nomainiet visas bojātas detaļas.
- Pārbaudiet gaisa ieplūdi pie startera ierīces. Ja gaisa ieplūdes vieta ir nosprostojusies, attīriet to.
- Notīriet aizdedzes sveces ārpusi. Izņemiet sveci un pārbaudiet atstatumu starp elektrodiem. Noregulējiet atstatumu līdz 6 mm (0,024 collām) vai nomainiet aizdedzes sveci.
- Notīriet lāpstīņrata lāpstīņas.
- Izīriet dzirksteļu uztvērēja režģi un, ja nepieciešams, nomainiet to (neattiecas uz trokšņa slāpētāju ar katalītisko pārveidotāju).
- Notīriet karburatoru un vietu ap to.
- Izīriet gaisa filtru.

### Ikmēneša apkope

- Pārbaudiet startera auklas rokturi un startera auklu.
- Izīriet degvielas tvertni.
- Notīriet karburatoru un vietu ap to.
- Notīriet lāpstīņrata lāpstīņas.
- Pārbaudiet, vai degvielas pievadi nav ieplaisājuši vai kā citādi bojāti. Ja nepieciešams, nomainiet.
- Nomainiet degvielas filtru degvielas tvertnē.
- Pārbaudiet visus kabeļus un savienojumus.
- Nomainiet aizdedzes sveci.
- Nomainiet gaisa filtru.

### Ikgadēja apkope

- Pārbaudiet aizdedzes sveci.
- Notīriet karburatora korpusu un vietu ap karburatoru.
- Izīriet dzesēšanas sistēmu.
- Pārbaudiet dzirksteļu uztvērēja režģi.
- Pārbaudiet degvielas filtru.
- Pārbaudiet, vai nav radušies degvielas šļūtenes bojājumi.
- Pārbaudiet visus kabeļus un savienojumus.

### Apkope pēc 50 darba stundām

- Apmeklējiet pilnvarotu apkopes centru, lai veiktu slāpētāja remontu vai nomaiņu.

## Tukšgaitas apgriezienu skaita regulēšana

- Pirms tukšgaitas apgriezienu skaita regulēšanas pārlicinieties, vai gaisa filtrs ir tīrs un ir piestiprināts gaisa filtra pārsegs.
- Regulējiet tukšgaitas apgriezienu skaitu ar tukšgaitas regulēšanas skrūvi T, kas apzīmēta ar "T".

- Tukšgaitas apgriezienu skaits ir pareizs, ja dzinējs vienmērīgi darbojas visos režīmos.

(Att. 31)

1. Grieziet tukšgaitas regulēšanas skrūvi pulkstenrādītāju kustības virzienā, lai iestāftu lielāku apgriezienu skaitu.
2. Grieziet tukšgaitas regulēšanas skrūvi pretēji pulkstenrādītāju kustības virzienam, lai iestāftu mazāku apgriezienu skaitu.

## Dzirksteļu uztvērēja režģa apkope

Ar metāla suku izīriet dzirksteļu uztvērēja režģi.

## Dzesēšanas sistēmas tīrīšana

(Att. 32)

Notīriet dzesēšanas sistēmas daļas ar suku.

## Aizdedzes sveces pārbaude



**IEVĒROJIET:** Vienmēr lietojiet ieteikto aizdedzes sveces tipu. Nepiemērota aizdedzes svece var radīt izstrādājuma bojājumus.

- Pārbaudiet aizdedzes sveci, ja dzinējam nepietiek jaudas, dzinēju nevar viegli iedarbināt vai arī tas nedarbojas pareizi tukšgaitā.
- Lai samazinātu nevēlamu materiālu uzkrāšanos uz aizdedzes sveces elektrodiem, ievērojiet turpmākos norādījumus.
  - a) Pārlicinieties, vai tukšgaitas apgriezienu skaits ir noregulēts pareizi.
  - b) Pārlicinieties, vai degvielas maisījums ir atbilstošs.
  - c) Pārlicinieties, vai gaisa filtrs ir tīrs.
- Ja aizdedzes svece ir nefīra, notīriet to un pārbaudiet, vai atstatums starp elektrodiem ir pareizs; skatiet šeit: *Tehniskie dati lpp. 176*. (Att. 33)
- Ja nepieciešams, nomainiet aizdedzes sveci.

## Gaisa filtra apkope

### Gaisa filtra tīrīšana

1. Noņemiet gaisa filtra pārsegu un izņemiet gaisa filtru. (Att. 34)
2. Izīriet gaisa filtru ar siltu ziepūdeni. Pirms uzstādīšanas pārlicinieties, vai gaisa filtrs ir sauss.
3. Nomainiet gaisa filtru, ja tas ir pārāk nefīrs, lai to pilnībā notīrītu. Vienmēr nomainiet bojātu gaisa filtru.
4. Ja izstrādājumam ir putu polistirola filtrs, ieeļļojiet to ar gaisa filtra eļļu. Gaisa filtra eļļu izmantojiet tikai putu polistirola filtram. Nelietojiet eļļu filca filtram.

## Tehniskie dati

	Mērvienība	125B (125B28HV)	125BX (125B28HV)	125BVX (125B28HV)
<b>Dzinēja tehniskie dati</b>				
Cilindra darba tilpums	cm <sup>3</sup>	28	28	28
Elektrodu atstarpe	mm	0,6	0,6	0,6
Degvielas tvertnes tilpums	cm <sup>3</sup>	500	500	500
Apgriezienu skaits tukšgaitā	min <sup>-1</sup>	2800–3200	2800–3200	2800–3200
Maks. apgriezienu skaits	min <sup>-1</sup>	8000	8000	8000
Jauda	kW	0,8	0,8	0,8
Aizdedzes svece		Champion RCJ-6Y	Champion RCJ-6Y	Champion RCJ-6Y
Maksimāla ātruma pūšanas režīms	min <sup>-1</sup>	8600	8600	8600
Maksimāla ātruma sūkšanas režīms	min <sup>-1</sup>	--	7500	7500
Emisiju noturības periods	h	125	125	125
<b>Trokšņa un vibrācijas līmeņa dati</b>				
Līdzvērtīgs vibrācijas līmenis pie rokturiem, kas aprīkoti ar pūtēja caurulēm un sprauslu (oriģinālu) — skatiet 1. piezīmi.	m/s <sup>2</sup>	11,03	11,03	11,03
Līdzvērtīgs vibrācijas līmenis pie rokturiem, kas aprīkoti ar sūkšanas caurulēm (oriģinālām), kreisajā/labajā pusē — skatiet 1. piezīmi.	m/s <sup>2</sup>	--/--	12,16/12,29	12,16/12,29
Līdzvērtīgs skaņas spiediens pie operatora auss, kas mērīts saskaņā ar standartu ISO 22868, uzstādītas pūtēja caurules un sprausla (oriģināla) — skatiet 3. piezīmi.	dB (A)	96	96	96
Līdzvērtīgs skaņas spiediens pie blakusstāvētāja auss, kas mērīts saskaņā ar standartu ANSI B175.2, uzstādītas pūtēja caurules un sprausla (oriģināla).	dB (A)	71	71	71
Skaņas jaudas līmenis, izmērītais — skatiet 2. piezīmi	dB (A)	109	109	109
Skaņas jaudas līmenis, garantētais (L <sub>WA</sub> ) — skatiet 2. piezīmi	dB (A)	112	112	112
<b>Izstrādājuma izmēri</b>				
Svars (bez degvielas, bet ar pūtēja cauruli un uzstādītu standarta sprauslu)	kg	4,3	4,4	4,4



**1. piezīme** Sniegtajos datos par līdzvērtīgu vibrācijas līmeni ir ietverta parastā 1 m/s<sup>2</sup> statistiskā izkliede (standarta novirze).

**2. piezīme** Atbilstoši EK direktīvai 2000/14/EK trokšņa emisija apkārtņē ir mērīta kā skaņas jauda (L<sub>WA</sub>). Aparāta skaņas intensitātes līmenis ir izmērīts ar oriģinālu piestiprinājumu, kas veic darbu augstākajā līmenī. Atšķirība starp garantēto un izmērīto skaņas intensitātes līmeni ir tāda, ka garantētā skaņas intensitātes līmeņa mērījumu rezultāts ietver arī izkliedi mērījuma rezultātā un atšķirības dažādām tā paša modeļa ierīcēm, kas atbilst direktīvai 2000/14/EK.

**3. piezīme.** Sniegtajos datos par līdzvērtīga skaņas spiediena līmeni ierīcei ir ietverta parastā statistiskā 1 dB (A) izkliede (standarta novirze).

Ventilators	Mērvienība	125B	125BX	125BVX
Tips		Radiāls ventila-tors	Radiāls ventila-tors	Radiāls ventila-tors
Maks. gaisa kustības ātrums, standarta sprausla	km/h	217	217	217
Maks. gaisa kustības ātrums, liela ātruma sprausla*	km/h	273	273	273
Gaisa tilpums pūšanas režīmā	cfm	425	425	425
Gaisa tilpums sūkšanas režīmā	cfm	--	445	445
* dažu modeļu papildpiederumi				

## Piederumi

125B, 125BX, 125BVX	
<b>Apstiprinātie piederumi</b>	<b>Tips</b>
Noteku tīrīšanas komplekts	952 711 918
125BX, 125BX	
<b>Apstiprinātie piederumi</b>	<b>Tips</b>
Sūkšanas komplekts	952 711 913
125B	
<b>Apstiprinātie piederumi</b>	<b>Tips</b>
Ātras darbības sprausla	545 119 501

## EK atbilstības deklarācijas saturs

Ar šo mēs, Husqvarna AB, SE 561 82 Huskvarna, SWEDEN paziņojam, ka šis izstrādājums:

<b>Apraksts</b>	<b>Gasoline Blower/ Blower-Vacuum</b>
Zīmols	Husqvarna
Platforma/tips/modelis	Platforma125B28HV, kas pārstāv modeli 125B, 125BX, 125BVX
Partija	Sērijas numurs no 2019. gada un vēlāk

pilnībā atbilst šādām ES direktīvām un noteikumiem:

<b>Direktīva/regula</b>	<b>Apraksts</b>
2006/42/EC	par mašīnām
2014/30/EC	par elektromagnētisko savietojamību
2000/14/EC	par trokšņa emisiju vidē
2011/65/EU	"noteiktu bīstamu vielu lietošanas ierobežojums"

Ir lietoti šādi saskaņotie standarti un/vai tehniskie dati (specifikācijas): EN ISO 12100, EN ISO 1186-1, CISPR 12, ISO 14982, EN 50581

Saskaņā ar direktīvas 2000/14/EC V pielikumu deklarētie skaņas līmeņi ir norādīti šīs rokasgrāmatas tehnisko datu sadaļā un parakstīti EK Atbilstības deklarācijā.

Intertek veica brīvprātīgu pārbaudi Husqvarna AB vārdā, izsniedzot atbilstības sertifikātu saskaņā ar EK Padomes direktīvu 2006/42/EC par mašīnām.

Šis sertifikāts, kas pievienots parakstītajai EK Atbilstības deklarācijai, ir derīgs visām ražotnēm un izcelsmes valstīm, kas norādītas uz izstrādājuma.

Piegādātais izstrādājums Gasoline Blower/ Blower-Vacuumatbilst paraugam, kas tika pārbaudīts.

---

# Inhoud

---

Inleiding.....	179	Onderhoud.....	186
Veiligheid.....	180	Technische gegevens.....	187
Montage.....	183	Accessoires.....	188
Werking.....	184	Inhoud van de EG-verklaring van overeenstemming..	189

---

## Inleiding

---

### Gebruikershandleiding

De oorspronkelijke taal van deze gebruikshandleiding is Engels. Bedieningshandleidingen in andere talen zijn vertalingen uit het Engels.

(Fig. 1)

1. Schouderriem (125BVX)
2. Gashendel
3. STOP-schakelaar
4. Toerentalregeling
5. Ventilatorbehuizing
6. Brandstoftankdop
7. Luchtfilter
8. Choke
9. Brandstofpomp
10. Deksel luchtinlaatopening
11. Handgreep voor zuigen (125BX en 125BVX)
12. Messen (125BX en 125BVX)
13. Waaierventilator
14. Standaardmondstuk
15. Hogesnelheidsmondstuk (125BX en 125BVX)
16. Blaaspijp
17. Klembout voor de pijp
18. Klemmoeren van de pijp
19. Geluiddemper
20. Geïsoleerd snoer
21. Starthendel
22. Startinrichting
23. Stelschroeven carburateur
24. Husqvarna Automower® 420/430X/440
25. Zuiginrichting met onderdelenset voor opvangen, die bestaat uit de items 26-30 hieronder
26. Pijp van de opvangzak
27. Opvangzak
28. Tweedelige zuigpijp
29. Schroef
30. Schouderriem

### Symbolen op het product

(Fig. 2) Waarschuwing

(Fig. 3) Lees deze handleiding

### Overzicht

(Fig. 4) Gebruik goedgekeurde gehoorbescherming

(Fig. 4) Gebruik goedgekeurde oogbescherming

(Fig. 4) Gebruik een goedgekeurd stofmasker

(Fig. 5) Draag goedgekeurde beschermende handschoenen

(Fig. 6) Het product kan objecten uitwerpen, waardoor oogletsel kan ontstaan

(Fig. 7) Veiligheidsafstand

(Fig. 8) Kom niet in de buurt van de waaier als deze draait

(Fig. 9) Houd het product buiten het bereik van kinderen

(Fig. 10) Geluidsvermogen

(Fig. 11) Geluidsniveau

(Fig. 12) Zorg ervoor dat lang haar tot boven uw schouders wordt samengebonden

(Fig. 13) Het product voldoet aan de geldende EG-richtlijnen

(Fig. 14) Het product voldoet aan de geldende EAC-richtlijnen

(Fig. 15) Het product voldoet aan de geldende Oekraïense richtlijnen

---

**Let op:** Andere symbolen/stickers op het product hebben betrekking op certificeringseisen voor overige commerciële markten.

---

### Euro V-emissies



**WAARSCHUWING:** De EU-typegoedkeuring van dit product vervalt als ongeoorloofde wijzigingen aan de motor aangebracht worden.

---

## Productaansprakelijkheid

Zoals uiteengezet in de wet voor productaansprakelijkheid zijn wij niet aansprakelijk voor schade die door ons product wordt veroorzaakt, indien:

- het product niet goed is gerepareerd.
- het product is gerepareerd met onderdelen die niet van de fabrikant afkomstig zijn, of onderdelen die niet zijn goedgekeurd door de fabrikant.

- het product een accessoire bevat dat niet afkomstig is van de fabrikant of niet is goedgekeurd door de fabrikant.
- het product niet is gerepareerd door een erkend servicepunt of door een erkende autoriteit.

---

## Veiligheid

---

### Veiligheidsdefinities

De onderstaande definities geven de mate van ernst weer voor elk trefwoord.



**WAARSCHUWING:** Letsel aan personen.



**OPGELET:** Schade aan het product.

**Let op:** Deze informatie maakt het product eenvoudiger in gebruik.

### Algemene veiligheidsinstructies



**WAARSCHUWING:** Lees de volgende waarschuwingen voordat u het product gaat gebruiken.

- Gebruik het product op de juiste manier. Onjuist gebruik leidt mogelijk tot letsel of de dood. Gebruik het product uitsluitend voor de taken die in deze handleiding worden genoemd. Gebruik het product niet voor andere taken.
- Volg de instructies in deze handleiding op. Volg de veiligheidssymbolen en veiligheidsinstructies op. Het niet in acht nemen van de instructies en de symbolen kan leiden tot letsel, schade of de dood.
- Gooi deze handleiding niet weg. Gebruik de instructies voor het monteren, gebruiken en onderhouden van uw product. Gebruik de instructies voor een correcte installatie van opzetstukken en accessoires. Gebruik alleen goedgekeurde opzetstukken en accessoires.
- Gebruik nooit een beschadigd product. Neem het onderhoudsschema in acht. Voer alleen onderhoudswerkzaamheden uit waarvoor u in deze handleiding een instructie aantreft. Alle overige onderhoudswerkzaamheden moeten door een erkend servicepunt worden uitgevoerd.
- Deze handleiding kan niet alle situaties beschrijven die zich voor kunnen doen wanneer u dit product gebruikt. Wees voorzichtig en gebruik uw gezond verstand. Gebruik het product niet en voer geen onderhoudswerkzaamheden aan het product uit als u niet zeker bent van de situatie. Neem voor meer informatie contact op met een productexpert, uw dealer, servicewerkplaats of erkende servicepunt.
- Koppel de bougiekabel los voordat u het product monteert, het product opslaat of onderhoudswerkzaamheden uitvoert.
- Gebruik het product niet als de oorspronkelijke specificatie is gewijzigd. Vervang geen onderdelen van het product zonder toestemming van de fabrikant. Gebruik alleen door de fabrikant goedgekeurde onderdelen. Onjuist onderhoud kan leiden tot letsel of de dood.
- Adem geen dampen in van de motor. Langdurig inademen van de uitlaatgassen van de motor kan een gevaar voor de gezondheid opleveren.
- Start het product niet in gesloten ruimtes of in de buurt van licht ontvlambaar materiaal. De uitlaatgassen zijn heet en kunnen vonken veroorzaken die tot brand kunnen leiden. Onvoldoende ventilatie kan leiden tot ernstig letsel of de dood door verstikking of het inademen van koolmonoxide.
- Wanneer u dit product gebruikt, genereert de motor een elektromagnetisch veld. Het elektromagnetische veld kan schade veroorzaken aan medische implantaten. Raadpleeg uw arts en de fabrikant van het medische implantaat voordat u het product gebruikt.
- Laat het product niet door een kind bedienen. Laat de machine niet bedienen door personen die de instructies niet hebben gelezen.
- Zorg ervoor dat u personen met een lichamelijke of geestelijke beperking die het product gebruiken, altijd in de gaten houdt. Er moet te allen tijde een verantwoordelijke volwassene aanwezig zijn.
- Berg het product op in een afgesloten ruimte die niet toegankelijk is voor kinderen of onbevoegde personen.
- Het product kan objecten uitwerpen en letsel veroorzaken. Neem de veiligheidsinstructies in acht om het risico op letsel of de dood te verlagen.
- Blijf in de buurt van het product wanneer de motor is ingeschakeld.
- De gebruiker van het product is verantwoordelijk indien zich een ongeval voordoet.

- Zorg dat er geen onderdelen beschadigd zijn, voordat u het product gebruikt.
- Zorg ervoor dat u minimaal 15 m (50 ft) van andere personen en dieren verwijderd bent, voordat u het product gaat gebruiken. Zorg ervoor dat personen in het aangrenzende gebied weten dat u het product gaat gebruiken.
- Neem nationale en lokale wetgeving in acht. Deze kan het gebruik van het product in sommige situaties beperken of verbieden.
- Gebruik het product niet als u moe bent, of onder invloed van alcohol, drugs of medicijnen verkeert. Ze kunnen een negatief effect hebben op uw zicht, alertheid, coördinatie of oordeel.

## Trillingsveiligheid

Dit product is alleen bedoeld voor incidenteel gebruik. Het voortdurend of regelmatig bedienen van het product kan zorgen voor "witte vingers" of dergelijke medische problemen als gevolg van trillingen. Houd de toestand van uw handen en vingers in de gaten als u het product voortdurend of regelmatig gebruikt. Als uw handen of vingers verkleuren, pijn doen, tintelen of dof aanvoelen, stop dan met werken en raadpleeg onmiddellijk een arts.

## Veiligheidsinstructies voor het gebruik van de bladblazer

- Gebruik het product uitsluitend voor het wegblazen of verwijderen van bladeren en ander vuil op de grond.
- Gebruik het product nooit als u moe of ziek bent, of onder invloed van alcohol, drugs of medicijnen verkeert.
- Houd personen en dieren altijd op een afstand van minimaal 15 meter (50 feet) van de gebruiker.
- Het product kan met hoge snelheid objecten uitwerpen die kunnen afketsen en de gebruiker kunnen raken. Dit kan leiden tot oogletsel.
- Wijs niet met het mondstuk van de blaaspijp in de richting van mensen of dieren.
- Zorg ervoor dat lang haar tot boven uw schouders wordt samengebonden.
- Zet de motor uit voordat u accessoires of andere componenten monteert of demonteert.
- Gebruik het product niet zonder de beschermkap.
- Gebruik dit product niet als zich personen in het werkgebied bevinden. Schakel het product uit wanneer een persoon het werkgebied betreedt.
- Gebruik het product niet in een ruimte met onvoldoende ventilatie. Onvoldoende ventilatie kan leiden tot ernstig letsel of de dood door verstikking of het inademen van koolmonoxide.
- De demper is zeer heet als het product in werking is, nadat het stopt en wanneer het stationair loopt. Wees voorzichtig in de buurt van brandbare materialen en ontvlambare dampen.

- Raak het gebied rond het inlaatdeksel niet aan. Houd sieraden en loshangende kleding uit de buurt van het inlaatgebied.
- Zorg ervoor dat u altijd stevig staat en gebruik het product alleen op een veilige en vlakke ondergrond. Gladde of onstabiele oppervlakken, zoals ladders, kunnen verlies van evenwicht of controle veroorzaken.
- Gebruik dit product niet op hoogte, zoals op een dak.
- Zet het product vast tijdens transport.
- Gebruik het product uitsluitend op aanbevolen tijden. Volg de plaatselijke regelgeving. De gebruikelijke aanbevelingen zijn van 9:00 tot 17:00 op maandag tot en met zaterdag.
- Gebruik het product op het laagst mogelijke toerental om het werk te doen.
- Zorg dat u niet kunt vallen wanneer u het product gebruikt. Buig u niet voorover of achterover wanneer u het product bedient.
- Zorg ervoor dat het product in goede staat verkeert voordat u het gebruikt, vooral de demper, luchtinlaat en het luchtfilter.
- Verwijder los vuil op de grond met een hark of een bezem voordat u het product gebruikt.
- Als het werkgebied vies is, spuit u het schoon met een slang.
- Gebruik het product als alternatief voor een slang om water te besparen.
- Blaas vuil op een veilige manier weg. Kijk uit voor kinderen, dieren, open vensters of voertuigen.
- Richt het product niet op planten die gemakkelijk beschadigd kunnen raken.
- Blaas niet in de richting van objecten zoals muren, grote stenen, voertuigen en hekken.
- Blaas bij binnenhoeken weg van de hoek en naar het midden van het werkgebied. Anders kan vuil in uw gezicht terechtkomen en oogletsel veroorzaken.
- Gebruik het volledige verlengstuk van het blaasmondstuk zodat de luchtstroom dicht bij de grond blijft.
- Omstanders moeten oogbescherming dragen.
- Gooi het vuil in de vuilnisbak na gebruik van het product.

## Veiligheidsinstructies voor het gebruik van de bladzuger

- Voorkom schade aan de ventilator. Zuig geen grote voorwerpen aan zoals hout, blikjes, stukken rubber of lange stukken touw.
- Zorg ervoor dat de zuigpijp geen contact maakt met de grond.
- Zet de motor uit en ontkoppel de bougiekop voordat u materiaal verwijdert dat een blokkering of verstopping veroorzaakt.

## Persoonlijke beschermingsmiddelen

- Gebruik altijd de juiste persoonlijke beschermingsmiddelen wanneer u het product gebruikt. De persoonlijke beschermingsmiddelen nemen het risico op letsel niet weg. De persoonlijke beschermingsmiddelen verlagen de ernst van het letsel indien zich een ongeval voordoet.
- Gebruik altijd goedgekeurde oogbescherming wanneer u het product gebruikt.
- Bedien het product niet op blote voeten of met open schoenen. Gebruik altijd antisliplaarzen voor zwaar gebruik.
- Draag een lange broek van stevige stof.
- Gebruik indien nodig goedgekeurde beschermende handschoenen.
- Gebruik een helm als er objecten op uw hoofd kunnen vallen.
- Gebruik altijd goedgekeurde gehoorbescherming wanneer u het product gebruikt. Langdurig lawaai kan gehoorverlies veroorzaken.
- Draag altijd een goedgekeurd stofmasker als u het product in een stoffige omgeving gebruikt.
- Zorg ervoor dat u een EHBO-kit bij de hand hebt.

## Veiligheidsvoorzieningen op het product

- Zorg ervoor dat u regelmatig onderhoudswerkzaamheden uitvoert aan het product.
    - De levensduur van het product neemt toe.
    - Het risico van ongevallen neemt af.
- Laat het product regelmatig door een erkende dealer of een erkend servicepunt controleren, zodat er aanpassingen en reparaties uitgevoerd kunnen worden.
- Gebruik geen product met beschadigde beschermingsmiddelen. Als het product beschadigd is, neemt u dan contact op met een erkend servicepunt.

## Stopschakelaar

Start de motor. Controleer of de motor stopt wanneer u de stopschakelaar in de stop-stand zet.  
(Fig. 16)

## Geluiddemper



**WAARSCHUWING:** Raak de geluiddemper niet aan wanneer hij warm is. De geluiddemper is erg heet als de motor draait en nadat deze is gestopt. Aanraken van de geluiddemper kan brandwonden veroorzaken.

- Gebruik geen motor met een beschadigde geluiddemper. Een beschadigde geluiddemper laat

het geluidniveau stijgen en vergroot het risico van brand. Zorg dat er een brandblusser in de buurt is.

- Controleer regelmatig of de geluiddemper aan het product is bevestigd.
  - Raak de motor en de geluiddemper niet aan terwijl de motor is ingeschakeld. Raak de motor en de geluiddemper een tijdje niet aan nadat de motor is uitgeschakeld. Hete oppervlakken kunnen letsel veroorzaken.
  - Een hete geluiddemper kan brand veroorzaken. Let op als u het product in de buurt van ontvlambare vloeistoffen of dampen gebruikt.
  - Raak geen onderdelen van de geluiddemper aan als de geluiddemper beschadigd is. De onderdelen kunnen kankerverwekkende chemicaliën bevatten.
  - Sommige bladblazermodellen hebben een vonkenscherm. Reinig en vervang het scherm met een bepaalde regelmaat. Zie het hoofdstuk Onderhoud (*Onderhoud op pagina 186*).
- (Fig. 17)

## Brandstofveiligheid

- Start het product niet als er brandstof of motorolie op het product aanwezig is. Verwijder de ongewenste brandstof/olie en laat het product drogen. Verwijder ongewenste brandstof van het product.
- Als u brandstof op uw kleding morst, trek dan direct andere kleding aan.
- Zorg dat er geen brandstof op uw lichaam terecht komt, dit kan letsel veroorzaken. Als er brandstof op uw lichaam terecht komt, verwijder deze dan met water en zeep.
- Start de motor niet als u brandstof op het product of op uw lichaam hebt gemorst.
- Start het product niet als er sprake is van een motorlekkage. Controleer de motor regelmatig op lekkage.
- Wees voorzichtig met brandstof. Brandstof is licht ontvlambaar en de dampen zijn explosief. Ze kunnen letsel veroorzaken of leiden tot de dood.
- Adem geen brandstofdampen in, dit kan letsel veroorzaken. Zorg voor voldoende ventilatie.
- Rook niet in de buurt van de brandstof of de motor.
- Plaats geen warme voorwerpen in de buurt van de brandstof of de motor.
- Vul geen brandstof bij terwijl de motor is ingeschakeld.
- Zorg ervoor dat de motor koud is wanneer u brandstof bijvult.
- Draai de tankdop langzaam open en laat de druk voorzichtig ontsnappen voordat u brandstof bijvult.
- Vul geen brandstof voor de motor bij in een afgesloten ruimte. Onvoldoende ventilatie kan leiden tot ernstig letsel of de dood door verstikking of het inademen van koolmonoxide.
- Draai de tankdop goed vast, zodat er geen brand kan ontstaan.

- Verplaats het product minstens 3 m (10 ft) van de plaats waar u de brandstoftank hebt gevuld, voordat u het product start.
- Doe niet te veel brandstof in de brandstoftank.
- Zorg dat er geen brandstof wordt gemorst wanneer u het product of de jerrycan met brandstof verplaatst.
- Plaats het product of de jerrycan met brandstof niet op een plaats waar deze wordt blootgesteld aan open vuur, vonken of waakvlammen. Zorg dat er geen open vuur aanwezig is in de opslagruimte.
- Gebruik alleen goedgekeurde jerrycans voor het verplaatsen of opslaan van brandstof.
- Leeg de brandstoftank voordat het product gedurende lange tijd wordt opgeslagen. Neem lokale wetgeving in acht voor het afvoeren van brandstof.
- Reinig het product voordat het gedurende lange tijd wordt opgeslagen.

- Verwijder de bougiekabel voordat het product wordt opgeslagen, zodat de motor niet onbedoeld kan starten.

## Veiligheidsinstructies voor onderhoud



**WAARSCHUWING:** Onjuist onderhoud kan leiden tot aanzienlijke schade aan de motor of ernstig letsel veroorzaken.

De eigenaar is verantwoordelijk voor het uitvoeren van alle vereiste onderhoudswerkzaamheden, zoals beschreven in de gebruikersaanwijzing. Koppel eerst de bougie los voordat u onderhoudswerkzaamheden gaat uitvoeren. Maak de bougie niet los voor het afstellen van de carburateur.

## Montage



**WAARSCHUWING:** Lees het hoofdstuk over veiligheid voordat u het product monteert.

### De blaaspijp en het mondstuk op het product monteren

**Let op:** De bout moet voldoende los zijn om de blaaspijp in de uitlaatopening van de bladblazer te plaatsen. Draai de bout linksom met een schroevendraaier om hem los te draaien.

1. Lijn de rib op de bovenste blaaspijp uit met de groef in de uitlaatopening van de bladblazer. Schuif de pijp op zijn plaats.
2. Draai de bout rechtsom met een schroevendraaier om de pijp vast te zetten.

**Let op:** Gebruik geen gereedschap voor de moer.

3. Lijn de gleuven op de onderste blaaspijp uit met de nokken op de bovenste blaaspijp. Schuif de onderste blaaspijp op de bovenste blaaspijp.
4. Draai de onderste blaaspijp rechtsom totdat deze vastklikt.

### De opvangzak met verschillende zuigpijpen monteren



**WAARSCHUWING:** Schakel de motor uit voordat u de pijpen aan het product bevestigt.

#### De opvangzak monteren

1. Open de opvangzak.
2. Monteer de pijp van de opvangzak op de aanzuigopening.

3. Zorg ervoor dat het elastiek in de groef (A) is geplaatst.
4. Sluit de rits van de zak. (Fig. 18)

#### De pijp van de opvangzak monteren

1. Verwijder de blaaspijp als deze bevestigd is.
2. Lijn de rib van de pijp (A) van de opvangzak uit met de groef in de uitlaatopening (B) van de blazer.
3. Duw de pijp van de opvangzak volledig op de uitlaatopening van de blazer.
4. Breng de moer (C) aan in de opening.
5. Breng de schroef (D) aan en draai deze vast met een schroevendraaier om de pijp vast te zetten. (Fig. 19)

#### De zuigpijpen aan elkaar bevestigen

1. Lijn de pijp op de onderste zuigpijp (A) uit met de pijp op de bovenste zuigpijp (B).
2. Duw de onderste zuigpijp in de bovenste zuigpijp.
3. Gebruik een schroevendraaier om de zelftappende schroef (C) te monteren die de pijpen bij elkaar houdt. (Fig. 20)

#### De zuigpijpen monteren

1. Steek het uiteinde van een schroevendraaier in het vergrendeldeel van de aanzuigopening.
2. Draai de schroevendraaier om de vergrendeling los te maken. (Fig. 21)
3. Houd het deksel van de aanzuigopening geopend tot de bovenste aanzuigpijp op zijn plaats zit.
4. Lijn de ribben aan de binnenkant van de aanzuigopening uit met de gleuven op de bovenste zuigpijp. Zorg ervoor dat het vergrendelingsymbool op de pijp is uitgelijnd met het ontgrendelingsymbool op de aanzuigopening. (Fig. 22)

- Duw de bovenste zuigpijp volledig op de aanzuigopening.
- Draai de bovenste zuigpijp rechtop tot het vergrendelingsymbool op de pijp is uitgelijnd met

het vergrendelingsymbool op de aanzuigopening. Er is een klik hoorbaar wanneer de pijp correct is bevestigd. (Fig. 23)

## Werking



**WAARSCHUWING:** Lees en begrijp het hoofdstuk over veiligheid voordat u het product gebruikt.

### Brandstof

#### Brandstof gebruiken



**OPGELET:** Dit product heeft een tweetaktmotor. Gebruik een mengsel van benzine en tweetakt-motorolie. Zorg dat u de juiste hoeveelheid olie gebruikt in het mengsel. Door een onjuiste verhouding van benzine en olie kan de motor beschadigd raken.

#### Benzine



**OPGELET:** Gebruik geen benzine met een octaangetal lager dan 90 RON (87 AKI). Dit kan schade aan het product veroorzaken.



**OPGELET:** Gebruik geen benzine met een ethanolgehalte van meer dan 10% (E10). Dit kan schade aan het product veroorzaken.



**OPGELET:** Gebruik geen loodhoudende benzine. Dit kan schade aan het product veroorzaken.

- Gebruik altijd nieuwe loodvrije benzine met een minimaal octaangetal van RON 90 (87 AKI) en een ethanolgehalte van minder dan 10% (E10).
- Gebruik benzine met een hoger octaangetal als u het product regelmatig gebruikt met een hoog motoroerental.
- Gebruik altijd een goede kwaliteit ongelode benzine/ oliemengsel.

#### Tweetakt-motorolie

- Gebruik alleen hoogwaardige tweetakt-motorolie. Gebruik alleen motorolie voor luchtgekoelde tweetakt-motorolie.
- Gebruik geen andere typen olie.
- Mengverhouding 50:1 (2%)

Benzine	Olie
1 U.S. Gal.	77 ml (2,6 oz)

Benzine	Olie
1 UK Gal.	95 ml (3,2 oz)
5 l	100 ml (3,4 oz)

#### Brandstof mengen

**Let op:** Gebruik altijd een schone jerrycan wanneer u brandstof gaat mengen.

**Let op:** Maak een hoeveelheid brandstofmengsel voor maximaal 30 dagen.

- Voeg de helft van de hoeveelheid benzine toe.
- Voeg de volledige hoeveelheid olie toe.
- Schud het brandstofmengsel om de stoffen te mengen.
- Voeg de resterende hoeveelheid benzine toe.
- Schud het brandstofmengsel om de stoffen te mengen.
- Vul de brandstoftank.

#### Brandstof vullen

- Gebruik altijd een jerrycan met een anti-morsschenktuit.
- Als er brandstof op de jerrycan aanwezig is, dan verwijderd u de ongewenste brandstof en laat u de jerrycan drogen.
- Zorg dat het oppervlak rondom de tankdop schoon is.
- Schud de jerrycan voordat u het brandstofmengsel in de brandstoftank laat lopen.

### Starten en stoppen

#### Voordat u de motor start

- Controleer het product op ontbrekende, beschadigde, loszittende of versleten onderdelen.
- Controleer de opvangzak. Controleer of de opvangzak niet beschadigd is en of de rits dicht is.
- Controleer de moeren, schroeven en bouten.
- Controleer het luchtfilter.
- Controleer of de gashendel naar behoren werkt.
- Controleer of de stopschakelaar naar behoren werkt.
- Controleer het product op brandstoflekkage.



## Koude motor starten

---



**WAARSCHUWING:** Wikkel het startkoord niet rond uw hand.

---



**OPGELET:** Houd het product niet tegen met uw voet.

---



**OPGELET:** Trek het startkoord niet helemaal uit tot aan de eindpositie. Laat de startkoordhendel niet los wanneer het startkoord is uitgetrokken. Dit kan tot beschadiging van het product leiden.

---

**Let op:** Wanneer de motor stopt, zet u de chokehendel in de gesloten stand en voert u de stappen voor het starten opnieuw uit.

---

1. Vul de brandstoftank met een zuiver brandstofmengsel.
2. Druk het balgje voor extra brandstoftoevoer 10 maal in. (Fig. 24)
3. Zet de chokehendel in de stand FULL CHOKE (gesloten stand). (Fig. 25)
4. Zet de variabele snelheidsregeling volledig linksom. (Fig. 26)
5. Druk de machinebehuizing met uw linkerhand tegen de grond.
6. Trek aan de startkoordhendel totdat de motor draait. Trek niet meer dan 3 keer.
7. Zet de chokehendel in de stand 1/2 en trek aan de startkoordhendel totdat de motor start en loopt. (Fig. 27)
8. Laat de motor ongeveer 10 seconden draaien.
9. Houd de gashendel volledig ingedrukt gedurende alle volgende stappen.
10. Zet de chokehendel in de stand OFF CHOKE (open stand). (Fig. 28)
11. Laat de motor 1 minuut warmdraaien.

## Warme motor starten

1. Houd de gashendel ingedrukt.
2. Zet de chokehendel in de stand 1/2.
3. Trek snel aan de startkoordhendel terwijl u aan de gashendel trekt totdat de motor start en draait.
4. Zet de chokehendel in de stand OFF CHOKE (open stand).

## De motor uitschakelen

- Druk op de STOP-schakelaar van de motor en laat deze los. De schakelaar keert automatisch terug in de stand aan (ON). Wacht 7 seconden voordat u het

product opnieuw probeert te starten om ervoor te zorgen dat de schakelaar wordt teruggezet.

## Een mondstuk gebruiken

- Gebruik het standaard mondstuk als precisie en een hoge luchtstroomconcentratie nodig is. (Fig. 29)
- Gebruik het hogesnelheidsmondstuk wanneer een bredere luchtstroom en grote lichtsnelheid nodig is. (Fig. 30)

## Het blaasmondstuk afstellen

1. Draai het mondstuk naar links om de bajonetsluiting los te maken.
2. Beweeg het mondstuk naar de gewenste positie.
3. Draai het mondstuk naar rechts tot u een klik voelt.

## Zuigen

Trek de benodigde veiligheidsuitrusting aan voordat u gaat zuigen.

---



**WAARSCHUWING:** Zorg ervoor dat de opvangzak niet beschadigd is en dat de rits dicht is voordat u het apparaat gaat gebruiken. Gebruik geen beschadigde zakken. Dit voorkomt schade veroorzaakt door rondvliegend vuil. Bediening met de linkerhand verhoogt het risico. Laat uw lichaam niet tegen het gebied rond de uitlaat komen.

---



**WAARSCHUWING:** Start de blazer niet als het deksel van de aanzuigopening open of beschadigd is (behalve als de zuigpijp is gemonteerd).

---

- Tijdens het werken met de blazer moet de opvangzak gesteund worden door de draagriem. De riem moet over de schouder worden gedragen.
- Start de bladblazer. Volg de instructies in het hoofdstuk over starten en stoppen *Starten en stoppen op pagina 184*. Lees de veiligheidsinstructies goed door *Veiligheid op pagina 180*.

## De opvangzak legen



**WAARSCHUWING:** Controleer altijd de opvangzak. Zorg ervoor dat deze niet beschadigd is en dat de rits dicht is voordat u het apparaat gaat gebruiken. Gebruik nooit een beschadigde zak. Er bestaat dan risico op letsel vanwege rondvliegend vuil. Wees voorzichtig als u het product met uw linkerhand bedient. Raak nooit het gebied rond de uitlaat aan.

---

1. Stop het apparaat.
2. Open de rits aan de zijkant.

---

## Onderhoud

---



**WAARSCHUWING:** Lees en begrijp het hoofdstuk over veiligheid voordat u gaat reinigen of reparaties of onderhoud gaat uitvoeren.

### Onderhoudsschema

Houd u aan het onderhoudsschema. De intervallen worden berekend op basis van het dagelijks gebruik van het product. De intervallen wijken af als u het product niet dagelijks gebruikt. Voer alleen onderhoudswerkzaamheden uit die in deze handleiding worden beschreven. Neem voor overige onderhoudswerkzaamheden die niet in deze handleiding worden beschreven contact op met een erkend servicepunt.

#### Dagelijks onderhoud

- Reinig de externe oppervlakken.
- Controleer of de snelheidsregeling en de gashendel correct werken. Vervang beschadigde onderdelen.
- Controleer de stopschakelaar. Vervangen indien nodig.
- Controleer het stationaire toerental.
- Maak het luchtfilter schoon. Vervangen indien nodig.
- Zorg ervoor dat het deksel van de aanzuigopening in gesloten stand kan worden vastgezet. Zorg ervoor dat de waaier schoon is.
- Draai alle moeren en bouten aan.
- Controleer of de behuizingen geen scheuren vertonen.
- Zorg ervoor dat de opvangzak niet beschadigd is en dat de rits werkt. Vervang de zak indien nodig.

#### Wekelijks onderhoud

- Controleer de staat van de starterinrichting, het startkoord en de spanveer. Vervang alle beschadigde onderdelen.
- Controleer de staat van de luchtinlaat bij de starterinrichting. Verwijder rommel als de luchtinlaat verstopt zit.
- Maak de bougie uitwendig schoon. Verwijder deze en controleer de afstand tussen de elektroden. Stel de afstand in op 0,6 mm (0,024 inch) of vervang de bougie.
- Reinig de bladen van de waaier.
- Reinig het vonkenscherm en vervang het indien nodig (niet op dempers met een katalysator).
- Reinig het gebied rond de carburateur.
- Maak het luchtfilter schoon.

#### Maandelijks onderhoud

- Controleer de greep van het startkoord en het startkoord.

- Maak de brandstoftank schoon.
- Reinig de carburateur en de directe omgeving ervan.
- Reinig de bladen van de waaier.
- Controleer de brandstofleidingen op scheurtjes of andere beschadigingen. Vervang deze indien nodig
- Vervang het brandstoffilter in de brandstoftank.
- Controleer alle kabels en aansluitingen.
- Vervang de bougie.
- Vervang het luchtfilter.

#### Jaarlijks onderhoud

- Controleer de bougie.
- Reinig de externe oppervlakken van de carburateur en de aangrenzende delen.
- Reinig het koelsysteem.
- Controleer het vonkenscherm.
- Controleer het brandstoffilter.
- Controleer de brandstofslang op schade.
- Controleer alle kabels en aansluitingen.

#### Onderhoud na 50 uur

- Zorg dat de geluiddemper wordt gerepareerd of vervangen door een erkend servicepunt.

### Stationair toerental afstellen

- Zorg dat het luchtfilter schoon is en dat het luchtfilterdeksel is aangebracht voordat het stationaire toerental wordt afgesteld.
- Stel het stationaire toerental af met de bijbehorende T-stelschroef met de markering "T".
- Het stationaire toerental is juist wanneer de motor in alle standen soepel draait.

(Fig. 31)

1. Draai de stelschroef rechtsom voor een hogere stationair toerental.
2. Draai de stelschroef linksom voor een lagere stationair toerental.

### Onderhoud uitvoeren aan het vonkenscherm

Gebruik een staalborstel om het vonkenscherm te reinigen.

### Koelsysteem reinigen

(Fig. 32)

Reinig de onderdelen van het koelsysteem met een borstel.

## Bougie controleren



**OPGELET:** Gebruik altijd het juiste bougietype. Een verkeerd type bougie kan schade aan het product veroorzaken.

- Controleer de bougie als de motor weinig vermogen heeft, niet gemakkelijk te starten is of stationair niet goed draait.
- Volg deze instructies om het risico van ongewenst materiaal op de elektroden van de bougie te beperken:
  - Zorg ervoor dat het stationair toerental altijd juist is afgesteld.
  - Zorg dat het brandstofmengsel correct is.
  - Zorg dat het luchtfilter schoon is.
- Maak de bougie schoon als deze vuil is en controleer of de afstand tussen de elektroden correct is, zie *Technische gegevens op pagina 187*. (Fig. 33)

- Vervang de bougie indien nodig.

## Onderhoud uitvoeren aan het luchtfilter

### Het luchtfilter schoonmaken

- Verwijder het luchtfilterdeksel en verwijder het luchtfilter. (Fig. 34)
- Reinig het luchtfilter met een warm sopje van water en zeep. Zorg dat het luchtfilter droog is wanneer u dit aanbrengt.
- Vervang het luchtfilter als het zo vuil is dat het niet meer volledig kan worden gereinigd. Vervang een beschadigd luchtfilter altijd.
- Als uw product is uitgerust met een schuimluchtfilter, breng dan luchtfilterolie aan. Breng alleen luchtfilterolie aan op een schuimfilter. Breng geen olie aan op een viltfilter.

## Technische gegevens

	eenheid	125B (125B28HV)	125BX (125B28HV)	125BVX (125B28HV)
<b>Motorspecificaties</b>				
Cilinderinhoud	cm <sup>3</sup>	28	28	28
Elektrodenafstand	mm	0,6	0,6	0,6
Inhoud brandstoftank	cm <sup>3</sup>	500	500	500
Stationair toerental	min <sup>-1</sup>	2800 - 3200	2800 - 3200	2800 - 3200
Maximaal vermogen bij toerental	min <sup>-1</sup>	8000	8000	8000
Uitgangsvermogen	kW	0,8	0,8	0,8
Bougie		Champion RCJ-6Y	Champion RCJ-6Y	Champion RCJ-6Y
Maximumsnelheid blazen	min <sup>-1</sup>	8600	8600	8600
Maximumsnelheid zuigen	min <sup>-1</sup>	--	7500	7500
Emissieduurzaamheidsperiode	h	125	125	125
<b>Geluids- en trillingsgegevens</b>				
Gelijkwaardig trillingsniveau bij hendels met blaaspippen en mondstuk (origineel) - zie opmerking 1	m/s <sup>2</sup>	11,03	11,03	11,03
Gelijkwaardig trillingsniveau bij hendels met zuigpijpen (origineel), links/rechts - zie opmerking 1	m/s <sup>2</sup>	--/--	12,16/12,29	12,16/12,29
Gelijkwaardig geluidsdrukniveau bij het oor van de gebruiker, gemeten volgens ISO 22868, uitgerust met blaaspippen en mondstuk (origineel) - zie opmerking 3	dB(A)	96	96	96

Geluidsdruk bij het oor van de omstander, gemeten volgens ANSI B175.2 uitgerust met blaaspipen en mondstuk (origineel)	dB(A)	71	71	71
Geluidvermogensniveau, gemeten - zie opmerking 2	dB(A)	109	109	109
Geluidvermogensniveau, gegarandeerd ( $L_{WA}$ ) - zie opmerking 2	dB(A)	112	112	112
<b>Afmetingen product</b>				
Gewicht (zonder brandstof maar met blaaspip en standaard mondstuk gemonteerd)	kg	4.3	4,4	4,4
<p><b>Opmerking 1:</b> De gerapporteerde gegevens voor een vergelijkbaar trillingsniveau vertonen een typische statistische spreiding (standaardafwijking) van 1 m/s<sup>2</sup>.</p> <p><b>Opmerking 2:</b> Geluidsemissie naar de omgeving gemeten als geluidsvermogen (<math>L_{WA}</math>) volgens EG-richtlijn 2000/14/EG. Het gerapporteerde geluidsvermogensniveau voor de machine is gemeten met het originele hulpstuk dat het hoogste niveau geeft. Het verschil tussen gegarandeerd en gemeten geluidsvermogen is dat het gegarandeerde geluidsvermogen ook spreiding in het meetresultaat omvat en de verschillen tussen de verschillende machines van hetzelfde model conform Richtlijn 2000/14/EG.</p> <p><b>Opmerking 3:</b> De gerapporteerde gegevens voor een vergelijkbaar geluidsdrukkniveau voor de machine vertonen een typische statistische spreiding (standaardafwijking) van 1 dB(A).</p>				

Ventilator	Eenheid	125B	125BX	125BVX
Type		Radiale ventilator	Radiale ventilator	Radiale ventilator
Max. luchtsnelheid, standaard mondstuk	km/h	217	217	217
Max. luchtsnelheid hogesnelheidsmondstuk*	km/h	273	273	273
Luchtvolume blazen	cfm	425	425	425
Luchtvolume zuigen	cfm	--	445	445
*optionele accessoire voor sommige modellen				

---

## Accessoires

---

125B, 125BX, 125BVX	
<b>Goedgekeurde accessoires</b>	<b>Type</b>
Gotenreinigingsset	952 711 918
125BX, 125BX	
<b>Goedgekeurde accessoires</b>	<b>Type</b>
Zuigset	952 711 913
125B	
<b>Goedgekeurde accessoires</b>	<b>Type</b>

## Inhoud van de EG-verklaring van overeenstemming

Wij, Husqvarna AB, SE 561 82 Huskvarna, SWEDEN, verklaren onder onze alleenverantwoordelijkheid dat het gerepresenteerde product:

<b>Beschrijving</b>	<b>Gasoline Blower/ Blower-Vacuum</b>
Merk	Husqvarna
Platform / Type / Model	Platform 125B28HV, vertegenwoordigend model 125B, 125BX, 125BVX
Partij	Serienummer vanaf 2019 en verder

volledig voldoet aan de volgende EU-richtlijnen en -regelgeving:

Richtlijn/Verordening	Beschrijving
2006/42/EC	"betreffende machines"
2014/30/EC	"betreffende elektromagnetische compatibiliteit"
2000/14/EC	"betreffende geluid buitenshuis"
2011/65/EU	"beperking van het gebruik van bepaalde gevaarlijke stoffen"

Toegepaste geharmoniseerde normen en/of technische specificaties zijn als volgt: EN ISO 12100, EN ISO 1186-1, CISPR 12, ISO 14982, EN 50581

In overeenstemming met richtlijn 2000/14/EC, bijlage V, staan de verklaarde geluidswaarden vermeld in de sectie met technische gegevens van deze handleiding en in de ondertekende EG-verklaring van overeenstemming.

Intertek heeft een vrijwillig typeonderzoek uitgevoerd ten behoeve van Husqvarna AB, onder vermelding van Certificaat van overeenstemming met Machinerichtlijn 2006/42/EC van de Europese Raad.

Het certificaat, als vermeld op de ondertekende EG-verklaring van overeenstemming, is van toepassing op alle fabriekslocaties en landen van herkomst, zoals vermeld op het product.

Het geleverde product Gasoline Blower/ Blower-Vacuum is conform het geteste exemplaar.

---

# INNHold

---

Innledning.....	190	Vedlikehold.....	196
Sikkerhet.....	191	Tekniske data.....	197
Montering.....	194	Tilbehør.....	199
Bruk.....	194	Innholdet i EF-samsvarserklæringen.....	199

---

## Innledning

---

### Bruksanvisning

Det originale språket i denne bruksanvisningen er engelsk. Bruksanvisninger på andre språk er oversettelser fra engelsk.

(Fig. 1)

1. Skulderstropp (125BVX)
2. Gassregulator
3. Stoppbryter
4. Turtallsregulering
5. Viftehus
6. Drivstofflokk
7. Luftfilter
8. Choke
9. Brennstoffpumpe
10. Innsugningsdeksel
11. Sugehåndtak (125BX og 125BVX)
12. Kappere (125BX og 125BVX)
13. Vifteløpehjul
14. Standarddyse
15. Hurtigdyse (125BX og 125BVX)
16. Blåserør
17. Rørets låsebolt
18. Rørets låsemuttre
19. Lyddemper
20. Jordledning
21. Starthåndtak
22. Startmotor
23. Justeringsskrue til forgasseren
24. Bruksanvisning
25. Sugeenhet med oppsamlingskomponenter som består av elementene 26–30 nedenfor
26. Rør til oppsamlingspose
27. Oppsamlingspose
28. Sugerør i to deler
29. Skruer
30. Skulderstropp

### Symboler på produktet

(Fig. 2) Advarsel

(Fig. 3) Les denne bruksanvisningen

### Oversikt

- (Fig. 4) Bruk godkjent hørselsvern
- (Fig. 4) Bruk godkjent øyevern
- (Fig. 4) Bruk godkjent støvmaske
- (Fig. 5) Bruk godkjente vernehansker
- (Fig. 6) Produktet kan kaste ut objekter, noe som kan føre til skader på øynene
- (Fig. 7) Sikkerhetsavstand
- (Fig. 8) Ikke kom i nærheten av løpehullet mens det spinner
- (Fig. 9) Ikke la barn komme i nærheten av produktet
- (Fig. 10) Lydeffektnivå
- (Fig. 11) Støynivå
- (Fig. 12) Sørg for at langt hår settes opp over skuldrene
- (Fig. 13) Dette produktet samsvarer med gjeldende EF-direktiver
- (Fig. 14) Dette produktet samsvarer med gjeldende EAC-direktiver
- (Fig. 15) Dette produktet samsvarer med gjeldende ukrainske direktiver

---

**Merk:** Øvrige symboler/klistremerker angitt på produktet gjelder sertifiseringskrav for andre markeder.

---

### Euro V-utslipp

---



**ADVARSEL:** Tukling med motoren opphever EU-type-godkjenningen til dette produktet.

---

## Produktansvar

Som nevnt i lovverket om produktansvar er vi ikke ansvarlig for skader som produktet vårt forårsaker, i følgende tilfeller:

- Produktet er reparert på feil måte.
- Produktet er reparert med deler som ikke kommer fra produsenten eller som ikke er godkjent av produsenten.

- Produktet har et tilbehør som ikke kommer fra produsenten eller som ikke er godkjent av produsenten.
- Produktet er ikke reparert på et godkjent servicesenter eller av en godkjent aktør.

---

## Sikkerhet

### Sikkerhetsdefinisjoner

Definisjonene nedenfor angir alvorlighetsgraden for hvert signalord.



**ADVARSEL:** Skade på personer.



**OBS:** Skade på produktet.

**Merk:** Denne informasjonen gjør produktet lettere å bruke.

### Generelle sikkerhetsinstruksjoner



**ADVARSEL:** Les de følgende advarslene før du bruker produktet.

- Bruk produktet riktig. Personskade eller død er mulige konsekvenser av feil bruk. Produktet må kun brukes til oppgaver angitt i denne bruksanvisningen. Ikke bruk produktet til andre oppgaver.
- Følg instruksjonene i denne bruksanvisningen. Følg symbolene og sikkerhetsinstruksjonene. Personskade, materiell skade eller død er mulige konsekvenser hvis brukeren ikke følger instruksene og symbolene.
- Ikke kast denne bruksanvisningen. Bruk instruksjonene for å montere, bruke og holde produktet i god stand. Følg instruksjonene for riktig montering av tilbehør og tilleggsutstyr. Bruk bare godkjent tilbehør og tilleggsutstyr.
- Ikke bruk et skadet produkt. Følg vedlikeholdsskjemaet. Utfør bare vedlikehold som du finner instruksjoner om i denne bruksanvisningen. Et godkjent servicesenter må gjøre alt annet vedlikeholdsarbeid.
- Denne bruksanvisningen kan ikke dekke alle situasjoner som kan oppstå når du bruker produktet. Vær forsiktig, og bruk sunn fornuft. Ikke bruk produktet eller utfør vedlikehold av produktet hvis du ikke føler deg trygg i situasjonen. Snakk med en

produkt ekspert, forhandleren, serviceverkstedet eller et godkjent servicesenter for mer informasjon.

- Koble fra tennpluggkabelen før du monterer produktet, setter produktet til oppbevaring eller utfører vedlikehold.
- Ikke bruk produktet hvis det er endret fra den opprinnelige spesifikasjonen. Ikke bytt en del av produktet uten godkjenning fra produsenten. Bruk bare deler som er godkjent av produsenten. Personskade eller død er mulige konsekvenser av feil vedlikehold.
- Ikke pust inn avgassene fra motoren. Langvarig innånding av motorens avgasser utgjør en helseisiko.
- Ikke start produktet innendørs eller i nærheten av brennbare materialer. Eksosen er varm og kan inneholde gnister som kan starte en brann. En utilstrekkelig luftstrøm kan føre til personskade eller dødsfall på grunn av kveling eller karbonmonoksidforgiftning.
- Motoren genererer et elektromagnetisk felt når du bruker dette produktet. Det elektromagnetiske feltet kan føre til skader på medisinske implantater. Snakk med legen din og produsenten av det medisinske implantatet før du bruker produktet.
- Ikke la barn bruke produktet. Ikke la en person uten kunnskap om instruksjonene bruke produktet.
- Sørg for at du alltid overvåker personer med redusert fysisk eller mental kapasitet når de bruker produktet. En ansvarlig voksen må alltid være til stede.
- Lås inn produktet et sted som barn og uautoriserte personer ikke har tilgang til.
- Produktet kan kaste ut løse gjenstander og forårsake personskade. Følg instruksjonene for å redusere faren for personskade eller død.
- Ikke forlat produktet når motoren er på.
- Brukeren av produktet er ansvarlig hvis det skjer en ulykke.
- Pass på at delene ikke er skadet, før du bruker produktet.
- Kontroller at du er minst 15 m unna andre personer eller dyr før du bruker produktet. Pass på at personer i nærheten vet at du kommer til å bruke produktet.

- Se nasjonale eller lokale lover. De kan forby eller begrense bruken av produktet under enkelte forhold.
- Ikke bruk produktet hvis du er trett eller påvirket av alkohol, andre rusmidler eller legemidler. Dette kan påvirke syn, oppmerksomhet, koordinasjon eller vurderingsevne.

## Vibrasjonssikkerhet

Dette produktet er bare for sporadisk bruk. Kontinuerlig eller regelmessig bruk av produktet kan forårsake syndromet «hvite fingre» eller tilsvarende medisinske problemer fra vibrasjoner. Vær oppmerksom på tilstanden til hendene og fingrene dine hvis du bruker produktet kontinuerlig eller regelmessig. Hvis hendene eller fingrene er misfarget, eller hvis du kjenner smerte, kribling eller nummenhet, må du avbryte arbeidet og umiddelbart ta kontakt med en lege.

## Sikkerhetsinstruksjoner for bruk av blåseren

- Kun bruk produktet til å blåse eller fjerne løv og annet hageavfall på bakken.
- Aldri bruk dette produktet dersom du er trett, syk eller under påvirkning av alkohol, andre rusmidler eller medisiner.
- Ikke la andre personer eller dyr komme nærmere enn 15 m fra brukeren.
- Produktet kan kaste løse gjenstander med høy hastighet som kan sprette og treffe føreren. Dette kan føre til skader på øynene.
- Aldri rett blåserøret på apparatet mot mennesker eller dyr.
- Sørg for at langt hår settes opp over skuldrene.
- Stopp motoren før du setter på eller tar av tilbehør eller andre komponenter.
- Ikke bruk produktet uten beskyttelsen.
- Bruk ikke produktet dersom det finnes andre personer i arbeidsområdet. Slå av produktet hvis en person går inn i arbeidsområdet.
- Bruk ikke produktet på et sted med utilstrekkelig luftstrøm. Utilstrekkelig luftstrøm kan føre til personskade eller død på grunn av kvelning eller karbonmonoksidforgiftning.
- Lyddemperen er svært varm når produktet er på, etter at det stopper, og når det går på tomgang. Vær forsiktig i nærheten av brennbare materialer og brennbare avgasser.
- Ikke berør området ved innsugningsdekselet. Hold smykker og løsthengende klær vekk fra innsugsområdet.
- Du må alltid stå stabilt og bruke produktet på sikkert og jevnt underlag. Glatte eller ustabile overflater, slik som stiger, kan føre til at du mister balansen eller kontrollen.
- Ikke bruk produktet på et høyt sted, for eksempel på et tak.
- Sikre produktet under transport.

- Bruk produktet bare innenfor den anbefalte tidsrammen. Følg lokale forskrifter. Vanlige anbefalinger er mellom klokken 09.00 og 17.00, fra mandag til og med lørdag.
- Bruk produktet ved lavest mulig gass til å utføre arbeidet.
- Pass på at du ikke risikerer å falle når du bruker produktet. Ikke len deg til siden når du bruker produktet.
- Kontroller at produktet er i god stand før bruk, spesielt lyddemperen, luftinntaket og lufffilteret.
- Bruk en rake eller en kost for å løse bakkerusk før bruk av produktet.
- Hvis arbeidsområdet er skittent, bør du spraye det med en slange.
- Bruk produktet som et alternativ til en slange for å spare vann.
- Blås oppsamlingsmassen trygt bort. Se opp for barn, dyr, åpne vinduer eller kjøretøy.
- Ikke pek produktet mot planter som lett kan skades.
- Ikke blås luft i retningen av gjenstander som vegger, store steiner, kjøretøy og gjerder.
- Hvis du arbeider inne i hjørner, bør du blåse fra hjørnet og inn mot midten av arbeidsområdet. Hvis ikke kan gjenstander treffe ansiktet ditt og forårsake øyeskade.
- Bruk hele blåserørforlengeren for å holde luftstrømmen nær bakken.
- Tilskuere må bruke vernebriller.
- Kast oppsamlingen i avfallsbeholdere etter bruk av produktet.

## Sikkerhetsinstruksjoner for bruk av suger

- Unngå skader på viften. Ikke sug opp store, faste gjenstander, for eksempel tre, kanner, gummitildekking eller lange strengbiter.
- Ikke la sugerøret komme i kontakt med bakken.
- Stopp motoren og koble fra tennpluggetten før du fjerner en blokkering eller tilstoppet materiale.

## Personlig verneutstyr

- Bruk alltid egnet personlig verneutstyr når du bruker produktet. Det personlige verneutstyret fjerner ikke risikoen for skader. Det personlige verneutstyret reduserer skadeomfanget hvis det skjer en ulykke.
- Bruk alltid et godkjent øyevern når du bruker produktet.
- Ikke bruk produktet uten sko eller med åpne sko. Bruk alltid kraftige skisikre støvler.
- Bruk tykke langbukser.
- Bruk godkjente vernehansker hvis det er nødvendig.
- Bruk hjelm hvis det er mulig at du får objekter i hodet.
- Bruk alltid godkjent hørselsvern når du bruker produktet. Støy over en lang periode kan forårsake støyrelatert hørselsskade.



- Bruk alltid en godkjent støvmaske når du bruker produktet i støvete omgivelser.
- Sørg for at du har et førstehjelpssett i nærheten.

## Beskyttelsesutstyr på produktet

- Pass på at du regelmessig utfører vedlikehold av produktet.
    - Levetiden til produktet øker.
    - Risikoen for ulykker reduseres.
- La en godkjent forhandler eller et godkjent servicesenter undersøke produktet regelmessig for å gjøre justeringer eller reparasjoner.
- Ikke bruk et produkt med skadet verneutstyr. Hvis produktet er skadet, må du kontakte et godkjent servicesenter.

## Stoppbryter

Start motoren. Forsikre deg om at motoren stopper når du flytter stoppbryteren til stoppstillingen.

(Fig. 16)

## Lyddemper



**ADVARSEL:** Ikke berør lyddemperen hvis den er varm. Lyddemperen er svært varm mens motoren går og etter den stopper. Berøringen av lyddemperen kan forårsake forbrenninger.

- Ikke bruk en motor med defekt lyddemper. En defekt lyddemper øker lydnivået og brannfaren. Ha et brannslukningsapparat i nærheten.
- Kontroller regelmessig at lyddemperen er koblet til produktet.
- Ikke berør motoren eller lyddemperen når motoren er på. Ikke berør motoren eller lyddemperen på en stund etter at motoren har stoppet. Varme overflater kan forårsake personskade.
- En varm lyddemper kan forårsake brann. Vær forsiktig hvis du bruker produktet i nærheten av brennbare vesker eller damp.
- Ikke berør delene i lyddemperen hvis lyddemperen er skadet. Delene kan inneholde noen kreftframkallende kjemikalier.
- Noen blåsermodeller har en gnistfangerskjerm. Rengjør og skift skjermen ved angitte intervaller. Se delen Vedlikehold (*Vedlikehold på side 196*).

(Fig. 17)

## Brennstoffsikkerhet

- Ikke start produktet hvis det er drivstoff eller motorolje på produktet. Fjern uønsket drivstoff/olje, og la produktet tørke. Fjern uønsket drivstoff fra produktet.
- Skift klær umiddelbart hvis du søler drivstoff på klærne.

- Ikke få drivstoff på kroppen, det kan føre til personskade. Bruk såpe og vann for å fjerne drivstoff hvis du får drivstoff på kroppen.
- Ikke start motoren hvis du søler olje eller drivstoff på produktet eller på kroppen din.
- Ikke start produktet hvis motoren lekker. Kontroller motoren for lekkasjer med jevne mellomrom.
- Vær forsiktig med drivstoff. Drivstoff er brannfarlig, og avgassene er eksplosive og kan forårsake personskade eller død.
- Ikke pust inn bensindamp, det kan føre til personskade. Pass på at det er tilstrekkelig luftstrøm.
- Du må ikke røyke i nærheten av drivstoff eller motoren.
- Ikke sett varme gjenstander i nærheten av drivstoff eller motoren.
- Ikke fyll på drivstoff når motoren er på.
- Kontroller at motoren er avkjølt før du fyller på drivstoff.
- Åpne tanklokket sakte og slipp ut trykket forsiktig før du fyller.
- Ikke fyll drivstoff på motoren innendørs. Utilstrekkelig luftstrøm kan føre til personskade eller død på grunn av kveling eller karbonmonoksidforgiftning.
- Trekk til lokket på drivstofftanken forsiktig. Brann kan oppstå hvis du ikke gjør dette.
- Flytt produktet minst 3 m fra stedet du fylte tanken før du starter det.
- Ikke fyll for mye drivstoff på tanken.
- Kontroller at det ikke oppstår lekkasjer når du flytter produktet eller bensinkannen.
- Ikke plasser produktet eller en drivstoffbeholder i nærheten av åpen flamme, gnister eller pilotflamme. Pass på at det ikke er åpen flamme i oppbevaringsområdet.
- Bruk bare godkjente beholdere når du flytter drivstoff eller setter drivstoff til oppbevaring.
- Tøm drivstofftanken før lengre tids oppbevaring. Følg lokale lover om hvor du kan kassere drivstoff.
- Rengjør produktet før lengre tids oppbevaring.
- Fjern tennpluggkabelen før du setter produktet til oppbevaring for å sikre at motoren ikke starter ved et uhell.

## Sikkerhetsinstruksjoner for vedlikehold



**ADVARSEL:** Galt vedlikehold kan føre til alvorlige skader på motoren eller alvorlig personskader.

Eieren er ansvarlig for at alt nødvendig vedlikehold utføres som beskrevet i brukerhåndboken. Frakoble tennpluggen før du utfører vedlikehold på enheten. Ikke frakoble tennpluggen før justering av forgasseren.

---

## Montering

---



**ADVARSEL:** Les kapittelet om sikkerhet før du monterer produktet.

---

### Installere blåserøret og munnstykket på produktet

---

**Merk:** Skruen må være tilstrekkelig løsnet for å sette blåserøret inn i blåserutgangen. Drei skruen mot urviseren med en skrutrekker for å løsne den.

1. Still ribben på det øvre blåserøret på linje med sporet på blåserutgangen. Flytt røret til ønsket stilling.
2. Drei skruen med urviseren med en skrutrekker for å feste røret.

**Merk:** Ikke bruk verktøy på mutteren.

3. Still sporene på det nedre blåserøret på linje med tappene på det øvre blåserøret. Skyv det nedre blåserøret på det øvre blåserøret.
4. Drei det nedre blåserøret med urviseren inntil du hører et klikk.

---

### Slik monterer du oppsamlingsposen med ulike vakuurmør

---



**ADVARSEL:** Slå av motoren før du fester rørene til produktet.

---

#### Slik monterer du oppsamlingsposen

1. Åpne oppsamlingsposen.
2. Sett røret på oppsamlingsposen fra innsiden av posen inn i vakuuminntakets åpning.
3. Kontroller at elastikken sitter i sporet (A).
4. Lukk glidelåsen på posen. (Fig. 18)

---

#### Slik monterer du røret til oppsamlingsposen

1. Fjern blåserøret hvis det er montert.
2. Still ribben på røret til oppsamlingsposen (A) på linje med sporet på blåserutgangen (B).
3. Skyv røret til oppsamlingsposen helt inn på blåserutgangen.
4. Sett inn mutteren (C) i åpningen.
5. Sett inn skruen (D), og trekk den til med en skrutrekker for å feste røret. (Fig. 19)

---

#### Slik fester du vakuurmørene sammen

1. Still pilen på det nedre vakuurmøret (A) på linje med pilen på det øvre vakuurmøret (B).
2. Skyv det nedre vakuurmøret inn i det øvre vakuurmøret.
3. Bruk en skrutrekker for å sette inn den selvgjengende skruen (C) som holder rørene sammen. (Fig. 20)

---

#### Slik monterer du vakuurmørene

1. Sett en skrutrekkerspiss inn i låseområdet på vakuuminntaket.
2. Drei skrutrekkeren for å løsne låsehaken. (Fig. 21)
3. Hold vakuuminntaksdekelet åpent til det øvre vakuurmøret er montert.
4. Still ribbene på innsiden av vakuuminntaket på linje med sporene på det øvre vakuurmøret. Kontroller at låssymbolet på røret er på linje med opplåsingssymbolet på vakuuminntaket. (Fig. 22)
5. Skyv det øvre vakuurmøret helt inn på vakuuminntaket.
6. Drei det øvre vakuurmøret med urviseren til låssymbolet på røret er på linje med låssymbolet på vakuuminntaket. Det høres et klikk fra røret når det er riktig festet. (Fig. 23)

---

## Bruk

---



**ADVARSEL:** Les og forstå kapittelet om sikkerhet før du bruker produktet.

---

### Drivstoff

#### Bruke drivstoff



**OBS:** Dette produktet har en totaktsmotor. Bruk en blanding av bensin og totaktsmotorolje. Pass på å bruke riktig mengde olje i blandingen. Feil forhold mellom bensin og olje kan føre til skade på motoren.

## Bensin



**OBS:** Ikke bruk bensin med et oktantall som er mindre enn 90 RON (87 AKI). Dette kan skade produktet.



**OBS:** Ikke bruk bensin med mer enn 10 % etanolkonsentrasjon (E10). Dette kan skade produktet.



**OBS:** Ikke bruk blyholdig bensin. Dette kan skade produktet.

- Bruk alltid ny blyfri bensin med et minste oktantall på 90 RON (87 AKI) og med mindre enn 10 % etanolkonsentrasjon (E10).
- Bruk bensin med høyere oktantall hvis du ofte bruker produktet ved kontinuerlig høyt motorturtall.
- Bruk alltid blyfri bensin/oljeblanding av god kvalitet.

## Totaktsmotorolje

- Bruk bare totaktsmotorolje av høy kvalitet. Bruk bare en luftkjølt motorolje.
- Ikke bruk andre typer olje.
- Blandingsforhold 50:1 (2 %)

Bensin	Olje
1 US gallon	77 ml
1 UK gallon	95 ml
5 l	100 ml

## Blande drivstoffet

**Merk:** Bruk alltid en ren drivstoffbeholder når du blander drivstoffet.

**Merk:** Ikke lag drivstoffblanding for mer enn 30 dager.

1. Tilsett halvparten av bensinen.
2. Tilsett all oljen.
3. Rist drivstoffblandingen for å blande innholdet.
4. Fyll på resten av bensinen.
5. Rist drivstoffblandingen for å blande innholdet.
6. Fyll drivstofftanken.

## Fylle drivstoff

- Bruk alltid en drivstoffbeholder med overfyllingsbeskyttelse.
- Hvis det er drivstoffrester i beholderen, må du fjerne uønsket drivstoff og la kannen tørke.
- Pass på at området i nærheten av lokket på drivstofftanken er rent.

- Rist drivstoffbeholderen før du fyller drivstoff på tanken.

## Starte og stoppe

### Før du starter motoren

- Undersøk om produktet har manglende, skadde, løse eller slitte deler.
- Undersøk oppsamlingsposen. Kontroller at oppsamlingsposen er uskadd og at glidelåsen er lukket.
- Undersøk mutrene, skruene og boltene.
- Kontroller luftfilteret.
- Undersøk om gassregulatoren fungerer som den skal.
- Undersøk om stoppbryteren fungerer som den skal.
- Kontroller produktet etter drivstofflekkasjer.

### Starte en kald motor



**ADVARSEL:** Surr aldri startsnoren rundt armen.



**OBS:** Ikke løft produktet med foten.



**OBS:** Ikke trekk startsnoren til endestillingen. Ikke slipp startsnoren når den er helt ute. Dette kan skade produktet.

**Merk:** Hvis motoren stopper, flytter du chokehendelen i lukket posisjon og utfører starttrinnene på nytt.

1. Fyll drivstofftanken med en ren drivstoffblanding.
2. Trykk på primeren 10 ganger. (Fig. 24)
3. Flytt chokehendelen til FULL CHOKE-stillingen (lukket). (Fig. 25)
4. Skyv den variable turtallsregulering helt mot urviseren. (Fig. 26)
5. Bruk venstre hånd til å holde kroppen til maskinen på bakken.
6. Trekk i startsnorhåndtaket til motoren prøver å starte. Ikke trekk mer enn tre ganger.
7. Flytt chokehendelen til 1/2 stilling og trekk i startsnoren til motoren starter og går. (Fig. 27)
8. La motoren gå i ca. 10 sekunder.
9. Trykk inn og hold gassregulatoren helt inne gjennom alle de følgende trinnene.
10. Flytt chokehendelen til OFF CHOKE-stillingen (åpen). (Fig. 28)
11. Varm opp motoren i ett minutt.

## Starte en varm motor

1. Press og hold gassregulatoren.
2. Flytt chokehendelen til 1/2 stilling.
3. Trekk i startsnoren raskt mens du trekker gassregulatoren inntil motoren går.
4. Flytt chokehendelen til OFF CHOKE-stillingen (åpen).

## Slik slår du av motoren

- Trykk inn og slipp motorens STOPP-bryter. Bryteren vil automatisk gå tilbake til ON-stillingen (på). Vent i sju sekunder før du prøver å starte produktet på nytt, slik at du sikrer at bryteren tilbakestilles.

## Bruke et munnstykke

- Bruk standardmunnstykket når det er nødvendig med presisjon og høy luftstrømskonsentrasjon. (Fig. 29)
- Bruk hurtigdysen når det er nødvendig med en bredere luftstrøm og høyere lufthastighet. (Fig. 30)

## Justere blåsermunnstykket

1. Vri munnstykket mot venstre for å løse bajonettlåsen.
2. Flytt munnstykket til den aktuelle stillingen.
3. Vri munnstykket mot høyre til du føler et klikk.

## Støvsuge

Før du støvsuger må du ta på det nødvendige sikkerhetsutstyret.



**ADVARSEL:** Kontroller at oppsamlingsposen er uskadd og at

glidelåsen er lukket før bruk. Ikke bruk en pose som er skadet. Dette forhindrer skade som følge av flygende gjenstander. Venstrehendt bruk øker risikoen. Ikke la kroppen berøre utslippsutgangen.



**ADVARSEL:** Ikke start blåseren hvis innsugingsdekslet er åpent eller skadet (unntatt hvis sugerøret er festet).

- Når du bruker blåseren, skal oppsamlingsposen støttes av skulderstroppen. Stroppen må bæres på øvre del av skulderen.
- Start blåseren. Følg instruksene i delene for starting og stopping *Starte og stoppe på side 195*. Les sikkerhetsinstruksjonene *Sikkerhet på side 191*.

## Tømme oppsamlingsposen



**ADVARSEL:** Undersøk alltid oppsamlingsposen. Kontroller at det ikke er skadet og at glidelåsen er lukket før bruk. Ikke bruk en skadet pose. Det foreligger fare for personskade på grunn av flygende oppsamlingsmasse. Vær forsiktig hvis den brukes venstrehendt. Ikke berør utslippsutgangen.

1. Slå av produktet.
2. Åpne glidelåsen på siden.
3. Tøm oppsamlingsposen.
4. Lukk glidelåsen.

## Vedlikehold



**ADVARSEL:** Les og forstå kapittelet om sikkerhet før du rengjør, reparerer eller utfører likehold på produktet.

## Vedlikeholdsskjema

Kontroller at du følger vedlikeholdsskjemaet. Intervallene er beregnet med utgangspunkt i daglig bruk av produktet. Intervallene er annerledes hvis du ikke bruker produktet hver dag. Utfør bare vedlikehold som du finner i denne bruksanvisningen. Snakk med et godkjent servicesenter om annet vedlikehold som ikke finnes i denne bruksanvisningen.

### Daglig vedlikehold

- Rengjør de utvendige flatene.
- Undersøk funksjonene for turtallsregulering og gassregulatoren. Skift skadede deler.
- Kontroller stoppbryteren. Skift den ut om nødvendig.

- Kontroller tomgangsturtalett.
- Rengjør luftfilteret. Skift den ut om nødvendig.
- Kontroller at innsugingsdekslet kan låses i lukket stilling. Kontroller at løpehullet er rent.
- Stram alle muttere og skruer.
- Kontroller at husene er fri for sprekker.
- Kontroller at oppsamlingsposen er uskadd og at glidelåsen fungerer. Skift ut posen ved behov.

### Ukentlig ettersyn

- Kontroller tilstanden til startmotoren, startsnoren og fjærspenningen. Skift ut alle skadde deler.
- Kontroller tilstanden til luftinntak på startmotoren. Fjern rusk hvis luftinntaket er tett.
- Rengjør tennpluggen utvendig. Ta den ut og kontroller elektroavstanden. Juster avstanden til 6 mm, eller skift tennplugg.
- Rengjør bladene på løpehullet.

- Rengjør gnistfangerskjermen og skift den om nødvendig (ikke på lydempere med katalysator).
- Rengjør forgasserområdet.
- Rengjør luftfilteret.

#### Månedlig ettersyn

- Undersøk startsnoren og håndtaket på startsnoren.
- Rengjør drivstofftanken.
- Rengjør forgasseren og området rundt denne.
- Rengjør bladene på løpehjulet.
- Kontroller drivstofflinjene for sprekker eller annen skade. Skift det om nødvendig
- Skift drivstoffilteret i drivstofftanken.
- Undersøk alle kabler og forbindelser.
- Skift tennplugg.
- Skift luftfilteret.

#### Årlig vedlikehold

- Kontroller tennpluggen.
- Rengjør de utvendige flatene på forgasseren og tilstøtende områder.
- Rengjør kjølesystemet.
- Kontroller gnistfangerskjermen.
- Kontroller drivstoffilteret.
- Se etter skade på drivstoffslangen.
- Undersøk alle kabler og forbindelser.

#### Vedlikehold etter 50 timer

- Få et godkjent servicesenter til å reparere eller skifte ut lydempere.

### Slik justerer du tomgangsturtallet

- Kontroller at luftfilteret er rent og at luftfilterlokket er festet før du justerer tomgangsturtallet.
- Juster tomgangsturtallet med tomgangsskruen, som er merket med «T».
- Tomgangsturtallet er korrekt når motoren går jevnt i alle stillinger.

(Fig. 31)

1. Vri justeringsskruen for tomgang med urviseren for å øke hastighet.

2. Vri justeringsskruen for tomgang mot urviseren for å senke hastigheten.

### Utføre vedlikehold av gnistfangerskjermen

Bruk en stålborste for å rengjøre gnistfangerskjermen.

### Rengjøre kjølesystemet

(Fig. 32)

Rengjør delene til kjølesystemet med en borste.

### Kontrollere tennpluggen



**OBS:** Bruk alltid anbefalt type tennplugg. Feil tennpluggtype kan føre til skade på produktet.

- Undersøk tennpluggen hvis motorens effekt er for lav, ikke er enkel å starte eller ikke fungerer riktig på tomgang.
- Følg disse instruksjonene for å redusere risikoen for uønsket materiale på tennpluggenes elektroder:
  - a) Pass på at tomgangsturtallet er riktig justert.
  - b) Pass på at drivstoffblandingen er riktig.
  - c) Kontroller at luftfilteret er rent.
- Hvis tennpluggen er skitten, må du rengjøre den og samtidig kontrollere at elektrodeavstanden er riktig. Se *Tekniske data på side 197*. (Fig. 33)
- Skift tennpluggen når det er nødvendig.

### Utføre vedlikehold av luftfilteret

#### Rengjøre luftfilteret

1. Ta av luftfilterdekslet og fjern luftfilteret. (Fig. 34)
2. Rengjør luftfilteret med varmt såpevann. Sørg for at luftfilteret er tørt før du monterer det.
3. Skift luftfilteret hvis det er for skittent til å rengjøres ordentlig. Bytt alltid ut skadet luftfilter.
4. Påfør luftfilterolje hvis produktet har et luftfilter i skum. Påfør luftfilterolje bare på et skumfilter. Ikke påfør olje på et filfilter.

## Tekniske data

	enhet	125B (125B28HV)	125BX (125B28HV)	125BVX (125B28HV)
<b>Motorspesifikasjoner</b>				
Sylindervolum	cm <sup>3</sup>	28	28	28
Elektrodeavstand	mm	0,6	0,6	0,6
Drivstofftankvolum	cm <sup>3</sup>	500	500	500

Tomgangsturtall	min <sup>-1</sup>	2800–3200	2800–3200	2800–3200
Maksimalt turtall	min <sup>-1</sup>	8000	8000	8000
Avgitt effekt	kW	0,8	0,8	0,8
Tennplugg		Champion RCJ-6Y	Champion RCJ-6Y	Champion RCJ-6Y
Maksimalt turtall i blåsemodus	min <sup>-1</sup>	8600	8600	8600
Maksimalt turtall i sugemodus	min <sup>-1</sup>	--	7500	7500
Holdbarhetsperiode, utslipp	t	125	125	125
<b>Støy- og vibrasjonsdata</b>				
Ekvivalent vibrasjonsnivå i håndtak med blåserør og munnstykke (original) – se merknad 1	m/s <sup>2</sup>	11,03	11,03	11,03
Ekvivalent vibrasjonsnivå i håndtak med sugerør (originale), venstre/høyre – se merknad 1	m/s <sup>2</sup>	--/--	12,16/12,29	12,16/12,29
Ekvivalent lydtryknivå i ørene til brukeren målt i henhold til ISO 22868, utstyrt med blåserør og munnstykke (original) – se merknad 3	dB(A)	96	96	96
Lydtrykk i ørene til en person i nærheten, målt i henhold til ANSI B175.2, utstyrt med blåserør og munnstykke (original)	dB(A)	71	71	71
Lydeffektnivå, målt – se merknad 2	dB(A)	109	109	109
Lydeffektnivå, garantert (L <sub>WA</sub> ) – se merknad 2	dB(A)	112	112	112
<b>Produkt mål</b>				
Vekt (uten drivstoff, men med blåserør og standard-munnstykke montert)	kg	4,3	4,4	4,4
<b>Anm. 1:</b> Rapporterte data for ekvivalent vibrasjonsnivå har en typisk statistisk spredning (standardavvik) på 1 m/s <sup>2</sup> .				
<b>Merknad 2:</b> Utslipp av støy til omgivelsene målt som lydeffekt (L <sub>WA</sub> ) samsvarer med EF-direktiv 2000/14/EF. Rapporterte lydeffektnivåer for maskinen er målt med det originale utstyret som gir høyest nivå. Forskjellen mellom garantert og målt lydeffekt er at garantert lydeffekt også omfatter spredning i måleresultatet og variasjoner mellom forskjellige maskiner av samme modell, i henhold til direktivet 2000/14/EF.				
<b>Merknad 3:</b> Rapporterte data for ekvivalent lydtryknivå for maskinen har en typisk statistisk spredning (standard avvik) på 1 dB(A).				

Vifte	Enhet	125B	125BX	125BVX
Type		Radialvifte	Radialvifte	Radialvifte
Maks. lufthastighet, standardmunnstykke	km/t	217	217	217
Maks. lufthastighet, hurtigdyse*	km/t	273	273	273
Luftvolumet i blåsemodus	cfm	425	425	425
Luftvolum i sugemodus	cfm	--	445	445

\*valgfritt tilbehør for enkelte modeller

## Tilbehør

125B, 125BX, 125BVX	
<b>Godkjent tilbehør</b>	<b>Type</b>
Rensesett for takrenne	952 711 918
125BX, 125BX	
<b>Godkjent tilbehør</b>	<b>Type</b>
Sugesett	952 711 913
125B	
<b>Godkjent tilbehør</b>	<b>Type</b>
Hurtigdyse	545 119 501

## Innholdet i EF-samsvarserklæringen

Vi Husqvarna AB, SE 561 82 Huskvarna, SWEDEN, erklærer på eget ansvar at det representerte produktet:

Beskrivelse	Gasoline Blower/ Blower-Vacuum
Merke	Husqvarna
Plattform/type/modell	Plattform125B28HV, som representerer modellen 125B, 125BX, 125BVX
Parti	Serienummer datert 2019 og senere

i denne bruksanvisningen og i den signerte EF-samsvarserklæringen.

Intertek har utført en frivillig typekontroll på vegne av Husqvarna AB, som bekrefter at en utstyrstype er i overensstemmelse med EF-direktiv 2006/42/EC om maskiner.

Sertifikatet, som følger med den signerte EF-samsvarserklæringen, gjelder for alle produksjonssteder og opprinnelsesland, slik det står oppgitt på produktet.

Medfølgende Gasoline Blower/ Blower-Vacuum er i samsvar med det eksemplaret som undergikk undersøkelsen.

fullstendig overholder følgende EU-direktiver og -forskrifter:

Direktiv/regulering	Beskrivelse
2006/42/EC	«angående maskiner»
2014/30/EC	«angående elektromagnetisk kompatibilitet»
2000/14/EC	«angående utendørsstøy»
2011/65/EU	«angående begrensning av bruken av bestemte farlige stoffer»

Harmoniserte standarder og/eller tekniske spesifikasjoner anvendt er som følger: EN ISO 12100, EN ISO 1186-1, CISPR 12, ISO 14982, EN 50581

I samsvar med direktivet 2000/14/EC, tillegg V står de oppgitte lydverdiene oppført i kapittelet om tekniske data

---

# SPIS TREŚCI

---

Wstęp.....	200	Przegląd.....	207
Bezpieczeństwo.....	201	Dane techniczne.....	208
Montaż.....	204	Akcesoria.....	209
Obsługa.....	205	Treść deklaracji zgodności z normami WE.....	210

---

## Wstęp

---

### Instrukcja obsługi

Oryginalnym językiem niniejszej instrukcji obsługi jest angielski. Instrukcje obsługi w innych językach są tłumaczone z angielskiego.

(Rys. 1)

1. Pas naramienny (125BVX)
2. Spust przepustnicy
3. Wyłącznik
4. Regulacja obrotów
5. Obudowa wentylatora
6. Zakrętka zbiornika paliwa
7. Filtr powietrza
8. Ssanie
9. Pompka
10. Pokrywa wlotu
11. Uchwyt odkurzacza (125BX i 125BVX)
12. Noże (125BX i 125BVX)
13. Wirnik wentylatora
14. Dysza standardowa
15. Dysza wysokiej prędkości (125BX i 125BVX)
16. Rura dmuchawy
17. Śruba obejmująca rurę
18. Nakrętka zacisku rury
19. Tłumik
20. Listwa uziemiająca
21. Uchwyt rozrusznika
22. Urządzenie rozruchowe
23. Śruby regulacji gaźnika
24. Instrukcja obsługi
25. Zespół odkurzacza z elementami worka odkurzacza obejmującymi pozycje 26–30 poniżej
26. Rura worka odkurzacza
27. Worek odkurzacza
28. Rura odkurzacza w dwóch częściach
29. Śruba
30. Pas naramienny

### Symbole znajdujące się na produkcie

(Rys. 2) Ostrzeżenie

(Rys. 3) Przeczytać niniejszą instrukcję

### Przegląd

- (Rys. 4) Stosować atestowane ochronniki słuchu
- (Rys. 4) Stosować atestowane środki ochrony oczu
- (Rys. 4) Stosować atestowane maski przeciwpyłowe
- (Rys. 5) Stosować rękawice ochronne
- (Rys. 6) Należy pamiętać o niebezpieczeństwie wyrzucania przedmiotów, które mogą spowodować uszkodzenie wzroku.
- (Rys. 7) Bezpieczna odległość
- (Rys. 8) Nie wolno zbliżać się do wirnika, gdy się obraca
- (Rys. 9) Dzieci nie mogą przebywać w pobliżu produktu
- (Rys. 10) Moc akustyczna
- (Rys. 11) Poziom hałas
- (Rys. 12) Związać długie włosy powyżej ramion
- (Rys. 13) Produkt jest zgodny z odpowiednimi dyrektywami Rady Europejskiej
- (Rys. 14) Produkt jest zgodny z odpowiednimi dyrektywami EAC
- (Rys. 15) Produkt jest zgodny z odpowiednimi dyrektywami obowiązującymi na Ukrainie

---

**Uwaga:** Pozostałe symbole/naklejki samoprzylepne umieszczone na produkcie dotyczą wymogów związanych z certyfikatami w innych obszarach komercyjnych.

---

### Emisje Euro V



**OSTRZEŻENIE:** Ingerencja w silnik powoduje unieważnienie europejskiego zatwierdzenia typu produktu.

---



## ODPOWIEDZIALNOŚĆ ZA PRODUKT

Zgodnie z przepisami dotyczącymi odpowiedzialności za produkt nie ponosimy odpowiedzialności za szkody spowodowane przez nasz produkt, jeśli:

- produkt jest nieprawidłowo naprawiany.
- produkt jest naprawiany przy użyciu części niepochodzących od producenta lub niezatwierdzonych przez producenta.

- produkt jest wyposażony w akcesoria niepochodzące od producenta lub niezatwierdzone przez producenta.
- produkt nie jest naprawiany w autoryzowanym centrum serwisowym lub przez autoryzowaną placówkę.

## Bezpieczeństwo

### Definicje dotyczące bezpieczeństwa

Poniższe definicje nadają poziom znaczenia każdemu słowu sygnałowemu.



**OSTRZEŻENIE:** obrażenia osób.



**UWAGA:** Uszkodzenie produktu.

**Uwaga:** Ta informacja ułatwia używanie maszyny.

### Ogólne zasady bezpieczeństwa



**OSTRZEŻENIE:** Przed rozpoczęciem użytkowania produktu przeczytać następujące ostrzeżenia.

- Należy prawidłowo używać maszyny. Nieprawidłowe używanie grozi obrażeniami lub śmiercią. Maszynę należy używać wyłącznie do zadań opisanych w niniejszej instrukcji. Nie używać produktu do innych zadań.
- Przestrzegać informacji zawartych w niniejszej instrukcji. Stosować się do symboli i zasad bezpieczeństwa. W przypadku nieprzestrzegania instrukcji i symboli istnieje ryzyko wystąpienia obrażeń, uszkodzeń lub śmierci.
- Nie wolno wyrzucać tej instrukcji. Należy stosować się do instrukcji montażu, obsługi i konserwacji produktu. Należy stosować się do instrukcji montażu osprzętu i akcesoriów. Stosować wyłącznie zatwierdzone osprzęt i akcesoria.
- Nie wolno używać uszkodzonego produktu. Przestrzegać planu konserwacji. Przeprowadzać wyłącznie te prace konserwacyjne, które są opisane w tej instrukcji. Wszystkie inne prace konserwacyjne muszą być wykonywane przez autoryzowane centrum serwisowe.
- Niniejsza instrukcja nie obejmuje wszystkich sytuacji, które mogą wystąpić podczas używania produktu. Należy zachować ostrożność i kierować się zdrowym rozsądkiem. Nie wolno obsługiwać produktu lub

- wykonywać prac konserwacyjnych w przypadku braku pewności co do danej sytuacji. Skontaktować się ze specjalistą ds. produktu, dealerm, warsztatem obsługi technicznej lub autoryzowanym centrum serwisowym w celu uzyskania informacji.
- Przed przystąpieniem do montażu lub konserwacji oraz na czas długiego przechowywania maszyny odłączyć świecę zapłonową.
- Nie używać produktu w przypadku zmiany jego początkowych specyfikacji. Nie wymieniać części maszyny bez zgody producenta. Używać wyłącznie części zatwierdzonych przez producenta. Nieprawidłowa konserwacja może doprowadzić do obrażeń lub śmierci.
- Nie wdychać spalin z silnika. Długotrwałe wdychanie spalin silnika stanowi zagrożenie dla zdrowia.
- Nigdy nie włączać urządzenia w pomieszczeniach zamkniętych lub w pobliżu materiałów łatwopalnych. Spaliny mają wysoką temperaturę, a ponadto mogą wraz z nimi wydostawać się iskry, dlatego stanowią zagrożenie pożarowe. Niewystarczający przepływ powietrza może doprowadzić do obrażeń lub śmierci na skutek uduszenia lub zatrucia tlenkiem węgla.
- Podczas używania maszyny silnik wytwarza pole elektromagnetyczne. Może ono spowodować uszkodzenie implantów medycznych. Przed użyciem produktu należy skontaktować się z lekarzem oraz producentem implantu medycznego.
- Nie pozwalać dzieciom używać maszyny. Nie pozwalać osobom nieznanym instrukcji na korzystanie z produktu.
- Należy zawsze kontrolować osobę o ograniczonych możliwościach fizycznych lub umysłowych podczas używania produktu. Zawsze musi jej towarzyszyć odpowiedzialna osoba dorosła.
- Przechowywać maszynę w miejscu niedostępnym dla dzieci i nieuprawnionych osób.
- Maszyna może wyrzucać przedmioty i powodować obrażenia. Należy przestrzegać zasad bezpieczeństwa, aby zmniejszyć ryzyko odniesienia obrażeń lub śmierci.
- Nie odchodzić od maszyny podczas pracy silnika.
- Operator maszyny jest odpowiedzialny za ewentualne wypadki.
- Przed przystąpieniem do używania produktu upewnić się, że części nie są uszkodzone.

- Zachować odległość co najmniej 15 m (50 stóp) od innych osób lub zwierząt przed przystąpieniem do używania maszyny. Powiadomić osoby przebywające w pobliżu o zamiarze używania maszyny.
- Stosować się do przepisów krajowych lub lokalnych. Mogą one zabraniać lub ograniczać używanie produktu w niektórych sytuacjach.
- Osoba, która jest zmęczona lub pod wpływem alkoholu, narkotyków lub leków nie może obsługiwać urządzenia. Wymienione substancje mogą negatywnie wpływać na wzrok, zdolność oceny sytuacji i panowanie nad wykonywanymi ruchami.
- Nie wolno dotykać obszaru osłony wlotu. Biżuterię i luźno zwisającą odzież należy trzymać z dala od obszaru wlotu.
- Zawsze należy zachowywać prawidłową postawę i obsługiwać produkt tylko na bezpiecznych i poziomych powierzchniach. Śliskie lub niestabilne powierzchnie, takie jak drabiny, mogą spowodować utratę równowagi lub kontroli.
- Produktu nie wolno używać na wysokości, np. na dachu.
- Zabezpieczyć urządzenie na czas transportu.
- Produkt należy obsługiwać tylko w zalecanych godzinach. Należy przestrzegać lokalnych przepisów. Zazwyczaj przyjmuje się, że prace mogą być wykonywane w godzinach od 9:00 do 17:00, od poniedziałku do soboty.
- Produktu należy używać z najniższym możliwym ustawieniu przepustnicy wystarczającym do wykonania danej pracy.
- Należy zabezpieczyć się przed upadkiem podczas używania produktu. Nie pochylać się podczas używania produktu.
- Przed pracą należy się upewnić, że produkt jest w dobrym stanie; zwłaszcza tłumik, wlot powietrza i filtr powietrza.
- Przed rozpoczęciem pracy z produktem należy użyć grabi lub miotły, aby złuzować zanieczyszczenia podłoża.
- Jeśli obszar roboczy jest brudny, należy spryskać go wodą z węża.
- Produktu należy używać jako alternatywy dla węża, aby oszczędzać wodę.
- Zdmuchiwać odpadki w bezpieczny sposób. Zwracać uwagę na dzieci, zwierzęta, otwarte okna i pojazdy.
- Produktu nie wolno kierować na rośliny, które można łatwo uszkodzić.
- Nie wolno kierować strumienia powietrza w stronę takich obiektów, jak ściany, duże kamienie, pojazdy i ogrodzenia.
- Jeśli prace są wykonywane w wewnętrznych narożach, należy dmuchać od rogu i w stronę środka obszaru roboczego. W przeciwnym razie zanieczyszczenia mogą trafić operatora w twarz i spowodować obrażenia oczu.
- Aby utrzymać strumień powietrza w pobliżu ziemi, należy użyć pełnego wydłużenia dyszy.
- Osoby postronne muszą nosić ochronę oczu.
- Po użyciu produktu należy wyrzucić zanieczyszczenia do pojemników na odpady.

## Zasady bezpieczeństwa związane z emisją drgań

Ten produkt jest przeznaczony tylko do sporadycznego użytkowania. Ciągłe lub regularne użytkowanie produktu może prowadzić do choroby zwanej „białymi palcami” lub podobnych problemów medycznych wynikających z drgań. Sprawdzić stan dłoni i palców w przypadku ciągłego lub regularnego użytkowania produktu. W przypadku odbarwienia dłoni lub palców, bólu, mrowienia lub braku czucia należy wstrzymać pracę i natychmiast skonsultować się z lekarzem.

## Zasady bezpieczeństwa dotyczące obsługi dmuchawy

- Produktu można używać tylko do wydmuchiwania lub usuwania liści i innych resztek z ziemi.
- Osoba, która jest zmęczona, chora lub używała alkoholu, narkotyków lub leków, nie może obsługiwać produktu.
- Osoby postronne ani zwierzęta nie mogą znajdować się bliżej niż 15 m (50 stóp) od operatora.
- Produkt może z dużą prędkością wyrzucać przedmioty, które po rykoszecie mogą uderzyć operatora. Może to spowodować uszkodzenie oczu.
- Dyszy dmuchawy nie wolno kierować w stronę ludzi ani zwierząt.
- Związać długie włosy powyżej ramion.
- Przed montażem lub demontażem akcesoriów oraz innych elementów należy zatrzymać silnik.
- Nie obsługiwać produktu bez założonej osłony.
- Nie używać maszyny, jeśli w obszarze pracy znajdują się osoby trzecie. Zatrzymać maszynę, jeśli inna osoba znajdzie się w obszarze pracy.
- Nie używać produktu w miejscu z niezadawalającym przepływem powietrza. Jeśli przepływ powietrza jest niewystarczający, może to doprowadzić do obrażeń lub śmierci na skutek uduszenia lub zatrucia tlenkiem węgla.
- Tłumik jest bardzo gorący podczas pracy produktu, po jego wyłączeniu i podczas pracy na biegu jałowym. Zachować ostrożność w pobliżu materiałów łatwopalnych i łatwopalnych oparów.

## Zasady bezpieczeństwa dotyczące obsługi odkurzacza

- Należy zapobiegać uszkodzeniu wentylatora. Nie wolno wciągać dużych, twardych obiektów, takich jak drewno, puszkę, mierzwa gumowa, ani długich kawałków sznurka.

- Nie dopuszczać do kontaktu rury odkurzacza z podłożem.
- Przed usunięciem zatoru lub zatkania należy wyłączyć silnik i odłączyć świecę zapłonową.

## Środki ochrony osobistej

- Zawsze należy stosować prawidłowe środki ochrony osobistej podczas używania produktu. Środki ochrony osobistej nie eliminują ryzyka odniesienia obrażeń. Środki ochrony osobistej zmniejszają powagę obrażeń w razie wystąpienia wypadku.
- Podczas używania produktu zawsze stosować zatwierdzoną osłonę oczu.
- Nie obsługiwać produktu boso lub w otwartym obuwiu. Zawsze nosić wytrzymałe buty z podeszwami zapobiegającymi poślizgnięciu.
- Stosować wytrzymałe, długie spodnie.
- Jeśli to konieczne, nosić zatwierdzone rękawice ochronne.
- Stosować kask, jeśli istnieje ryzyko spadnięcia przedmiotów na głowę.
- Podczas używania produktu zawsze stosować zatwierdzoną osłonę zatwierdzone środki ochrony słuchu. Narażenie na działanie hałasu przez długi czas może spowodować utratę słuchu.
- Zawsze należy używać zatwierdzonej maski przeciwpyłowej podczas obsługi produktu w zapyłonych środowiskach.
- Należy zadbać o dostępność zestawu pierwszej pomocy.

## Środki zabezpieczające produktu

- Należy zapewnić regularną konserwację produktu.
  - Wydłuża się czas eksploatacji produktu.
  - Zmniejsza się ryzyko wypadków.

Autoryzowany diler lub autoryzowane centrum serwisowe powinno regularnie sprawdzać produkt w celu przeprowadzenia regulacji lub napraw.

- Nie używać produktu z uszkodzonym wyposażeniem ochronnym. Jeśli produkt jest uszkodzony, skontaktować się z zatwierdzonym centrum serwisowym.

## Wyłącznik

Uruchomić silnik. Sprawdzić, czy silnik wyłącza się po przestawieniu wyłącznika do pozycji zatrzymania. (Rys. 16)

## Tłumik



**OSTRZEŻENIE:** Nie dotykać gorącego tłumika. Tłumik jest bardzo gorący, gdy silnik pracuje, a także po jego wyłączeniu. Dotknięcie tłumika może spowodować oparzenia.

- Nie używać silnika z uszkodzonym tłumikiem. Uszkodzony tłumik zwiększa poziom hałasu i ryzyko pożaru. Przechowywać gaśnicę w pobliżu.
- Regularnie sprawdzać, czy tłumik jest przymocowany do maszyny.
- Nie dotykać silnika ani tłumika podczas pracy silnika. Nie dotykać silnika ani tłumika przez pewien czas po zatrzymaniu silnika. Dotknięcie gorącej powierzchni może spowodować obrażenia.
- Gorący tłumik może wywołać pożar. Należy zachować ostrożność w przypadku używania produktu w pobliżu łatwopalnych cieczy lub oparów.
- Nie dotykać części tłumika, jeśli jest on uszkodzony. Części mogą zawierać rakotwórcze środki chemiczne.
- Niektóre modele dmuchawy mają osłonę iskrochronną. Osłonę należy czyścić i wymieniać w określonych odstępach czasu. Patrz rozdział Konserwacja (*Przegląd na stronie 207*).

(Rys. 17)

## Zasady bezpieczeństwa - paliwo

- Nie uruchamiać produktu, jeśli znajduje się na nim paliwo lub olej silnikowy. Usunąć zabrudzenia paliwem/olejem i odczekać, aż produkt wyschnie. Usunąć niepożądane paliwo z produktu.
- W przypadku rozlania paliwa na ubranie należy je natychmiast zmienić.
- Nie dopuścić do kontaktu paliwa z ciałem, ponieważ może to spowodować obrażenia. Jeśli dojdzie do kontaktu paliwa z ciałem, zmyć paliwo używając wody z mydłem.
- Nie uruchamiać silnika, jeśli doszło do rozlania paliwa lub oleju na maszynę lub na ciało.
- Nie uruchamiać maszyny, jeśli silnik jest nieszczelny. Regularnie sprawdzać silnik pod kątem nieszczelności.
- Zachować ostrożność przy pracy z paliwem. Paliwo jest łatwopalne, a jego opary mogą wybuchnąć, powodując obrażenia lub śmierć.
- Nie wdychać oparów paliwa, ponieważ może to być groźne dla zdrowia lub życia. Zapewnić odpowiednią wentylację.
- Nie palić tytoniu w pobliżu paliwa lub silnika.
- Nie umieszczać gorących przedmiotów w pobliżu paliwa lub silnika.
- Nie dolewać paliwa podczas pracy silnika.
- Przed tankowaniem upewnić się, że silnik jest zimny.
- Przed tankowaniem pomału odkręcić korek zbiornika paliwa i ostrożnie zwolnić ciśnienie.
- Nie dolewać paliwa do silnika w zamkniętym pomieszczeniu. Niewystarczający przepływ powietrza może doprowadzić do obrażeń lub śmierci na skutek uduszenia lub zatrucia tlenkiem węgla.
- Dokładnie dokręcić korek zbiornika paliwa, aby nie dopuścić do pożaru.

- Przed uruchomieniem przesunąć produkt o co najmniej 3 m (10 stóp) od miejsca, w którym było dolewane paliwo.
- Nie wlewać zbyt dużo paliwa do zbiornika.
- Podczas ruchu produktu lub pojemnika na paliwo istnieje niebezpieczeństwo wycieku paliwa. Podjąć odpowiednie działania, aby nie dopuścić do wycieku.
- Nie umieszczać produktu lub pojemnika na paliwo w pobliżu otwartego płomienia, iskry lub płomienia zapłonowego. Należy upewnić się, że w miejscu przechowywania nie ma źródła otwartego płomienia.
- Do transportu i przechowywania paliwa należy używać wyłącznie zatwierdzonych zbiorników.
- Opróżnić zbiornika paliwa przed długim przechowywaniem. Przestrzegać lokalnych przepisów dotyczących utylizacji paliwa.
- Wyczyścić maszynę przed długim przechowywaniem.

- Odłączyć przewód świecy zapłonowej przed przechowywaniem produktu, aby uniemożliwić przypadkowe uruchomienie silnika.

## Instrukcje bezpieczeństwa dotyczące konserwacji



**OSTRZEŻENIE:** Nieprawidłowa konserwacja może doprowadzić do poważnego uszkodzenia silnika lub do poważnych obrażeń.

Właściciel jest odpowiedzialny za konserwację produktu zgodnie z wymaganiami określonymi w instrukcji obsługi. Przed rozpoczęciem konserwacji odłączyć świecę zapłonową. Nie należy odłączać świecy zapłonowej przed regulacją gaźnika.

## Montaż



**OSTRZEŻENIE:** Przed przystąpieniem do montażu produktu zapoznać się z rozdziałem dotyczącym bezpieczeństwa.

### Instalowanie rury dmuchawy i dyszy w produkcie

**Uwaga:** Śruba musi być wystarczająco luźna, aby umieścić rurę dmuchawy w wylocie dmuchawy. Odkręcić śrubę w lewo za pomocą śrubokręta, aby ją poluzować.

1. Wyrównać żebro górnej rury dmuchawy z rowkiem wylotu dmuchawy. Ustawić rurę na miejscu.
2. Przykręcić śrubę w prawo za pomocą śrubokręta, aby zamocować rurę.

**Uwaga:** Nie używać żadnych narzędzi do nakrętki.

3. Wyrównać wycięcia dolnej rury dmuchawy z wypustami górnej rury dmuchawy. Nałożyć dolną rurę dmuchawy na górną rurę dmuchawy.
4. Obrócić dolną rurę dmuchawy w prawo aż do zatrzaśnięcia.

### Mocowanie worka do różnych rodzajów rur odkurzacza



**OSTRZEŻENIE:** Przed podłączeniem rur do produktu należy wyłączyć silnik.

#### Montaż worka

1. Otworzyć worek odkurzacza.
2. Włożyć rurę worka odkurzacza do środka worka, a następnie w otwór wlotu odkurzacza.

3. Upewnić się, że element elastyczny znajduje się w rowku (A).
4. Zamknąć zamek błyskawiczny worka. (Rys. 18)

#### Aby zamontować rurę worka odkurzacza

1. Zdjąć rurę dmuchawy, jeśli jest przymocowana.
2. Wyrównać wycięcie rury worka odkurzacza (A) z rowkiem wylotu dmuchawy (B).
3. Wcisnąć rurę worka odkurzacza w całości w wylot dmuchawy.
4. Nałożyć nakrętkę (C) na otwór.
5. Włożyć śrubę (D) i dokręcić za pomocą śrubokrętu tak, aby przymocować rurę. (Rys. 19)

#### Łączenie ze sobą rur odkurzacza

1. Wyrównać strzałkę na dolnej rurze odkurzacza (A) ze strzałką na górnej rurze odkurzacza (B).
2. Wsunąć dolną rurę odkurzacza w górną rurę.
3. Za pomocą śrubokręta wkręcić śrubę samogwintującą (C), która przytrzymuje połączone rury. (Rys. 20)

#### Montaż rur odkurzacza

1. Umieścić końcówkę śrubokrętu w obszarze zatrzaśku wlotu odkurzacza.
2. Obrócić śrubokręt, aby zwolnić zatrzaśk. (Rys. 21)
3. Trzymać pokrywę wlotu odkurzacza w pozycji otwarcia do momentu zamontowania górnej rury odkurzacza.
4. Wyrównać żebra znajdujące się po wewnętrznej stronie wlotu odkurzacza z wycięciami górnej rury odkurzacza. Upewnić się, że symbol blokady na rurze jest wyrównany z symbolem odblokowania na wlocie odkurzacza. (Rys. 22)

- Docisnąć górną rurę odkurzacza do końca do wlotu odkurzacza.
- Obrócić górną rurę odkurzacza w prawo, aż symbol blokady na rurze wyrówna się z symbolem blokady

na wlocie odkurzacza. Po prawidłowym zamocowaniu rury rozlegnie się kliknięcie. (Rys. 23)

## Obsługa



**OSTRZEŻENIE:** Przed przystąpieniem do używania produktu zapoznać się z rozdziałem dotyczącym bezpieczeństwa.

### Paliwo

#### Używanie paliwa



**UWAGA:** Produkt jest wyposażony w silnik dwusuwowy. Używać mieszanki benzyny i oleju do silników dwusuwowych. Upewnić się, że mieszanka zawiera odpowiednią ilość oleju. Nieprawidłowa proporcja benzyny i oleju może spowodować uszkodzenie silnika.

#### Benzyna



**UWAGA:** Nie używać benzyny o liczbie oktanowej niższej niż 90 RON (87 AKI). Niezastosowanie się do tego zalecenia może spowodować uszkodzenie produktu.



**UWAGA:** Nie używać benzyny o stężeniu etanolu większym niż 10% (E10). Niezastosowanie się do tego zalecenia może spowodować uszkodzenie produktu.



**UWAGA:** Nie używać benzyny ołowiowej. Niezastosowanie się do tego zalecenia może spowodować uszkodzenie produktu.

- Zawsze należy używać nowej benzyny bezołowiowej o liczbie oktanowej nie mniejszej niż 90 RON (87 AKI) oraz o stężeniu etanolu mniejszym niż 10% (E10).
- Używać benzyny o wyższej liczbie oktanowej, jeśli maszyna często pracuje przy wysokiej prędkości obrotowej silnika.
- Do mieszanki paliwowej stosować zawsze wysokiej jakości benzynę bezołowiową/olej.

#### Olej do silników dwusuwowych

- Używać wyłącznie wysokiej jakości oleju do silników dwusuwowych. Używać wyłącznie oleju silnikowego do silników chłodzonych powietrzem.
- Nie używać innych rodzajów olejów.
- Proporcje mieszanki to 50:1 (2%)

Benzyna	Olej
1 gal. amerykański	77 ml (2,6 oz)
1 gal. bryt.	95 ml (3,2 oz)
5 l	100 ml (3,4 oz)

#### Mieszanie paliwa

**Uwaga:** Do mieszania paliwa zawsze należy używać czystego pojemnika na paliwo.

**Uwaga:** Nie przygotowywać zbyt dużo mieszanki paliwowej. Przygotować maksymalnie ilość wystarczającą na 30 dni.

- Wlać połowę ilości benzyny.
- Wlać pełną ilość oleju.
- Wstrząsnąć mieszankę, aby wymieszać składniki.
- Wlać pozostałą ilość benzyny.
- Wstrząsnąć mieszankę, aby wymieszać składniki.
- Napełnić zbiornik paliwa.

#### Dolewanie paliwa

- Zawsze stosować kanister z zabezpieczeniem przeciw przelewaniu paliwa.
- Jeśli na pojemniku znajdują się resztki paliwa, oczyścić pojemnik i zaczekać, aż wyschnie.
- Sprawdzić, czy obszar wokół nakrętki zbiornika paliwa jest czysty.
- Wstrząsnąć pojemnik na paliwo przed dolaniem mieszanki paliwowej do zbiornika paliwa.

## Uruchamianie i wyłączenie

#### Przed uruchomieniem silnika

- Sprawdzić maszynę pod kątem brakujących, uszkodzonych, poluzowanych lub zużytych części.
- Sprawdzić worek odkurzacza. Upewnić się, że worek odkurzacza nie jest uszkodzony oraz że zamek błyskawiczny jest zamknięty.
- Sprawdzić nakrętki i śruby.
- Sprawdzić filtr powietrza.
- Sprawdzić poprawne działanie manetki gazu.
- Sprawdzić działanie przełącznika wyłączenia.
- Sprawdzić urządzenie pod kątem wycieków paliwa.

## Uruchamianie zimnego silnika

---



**OSTRZEŻENIE:** Nie owijają linki rozrusznika wokół ramienia.

---



**UWAGA:** Nie przytrzymywać produktu stopą.

---



**UWAGA:** Nie wolno ciągnąć za linkę rozrusznika do położenia końcowego. Nie puszczać uchwytu linki rozrusznika, gdy jest wyciągnięta. Może to spowodować uszkodzenie produktu.

---

**Uwaga:** W przypadku wyłączenia się silnika przestawić dźwignię ssania do pozycji zamkniętej i ponownie wykonać czynności rozruchowe.

---

1. Zbiornik paliwa napełniać czystą mieszanką paliwową.
2. 10 razy nacisnąć pompkę paliwową. (Rys. 24)
3. Przesunąć dźwignię ssania silnika na pozycję pełnego ssania (zamkniętą). (Rys. 25)
4. Popchnąć element sterujący zmienną prędkością do końca w lewo. (Rys. 26)
5. Lewą ręką należy przytrzymać korpus maszyny na ziemi.
6. Pociągnąć za rączkę linki rozrusznika, aż dojdzie prawie do rozruchu silnika. Nie pociągać za rączkę linki rozrusznika więcej niż 3 razy.
7. Przesunąć dźwignię ssania do pozycji 1/2 i pociągnąć uchwyt linki rozrusznika, aż silnik się uruchomi i zacznie pracować. (Rys. 27)
8. Pozostawić pracujący silnik na ok. 10 s.
9. Na czas trwania pozostałych czynności całkowicie wcisnąć i przytrzymać manetkę gazu.
10. Ustawić dźwignię ssania w położeniu OFF CHOKE (ssanie wyłączone) (pozycja otwarta). (Rys. 28)
11. Rozgrzewać silnik przez 1 min.

## Uruchamianie rozgrzanego silnika

1. Nacisnąć i przytrzymać manetkę gazu.
2. Przesunąć dźwignię ssania do pozycji 1/2.
3. Szybko pociągnąć uchwyt linki rozrusznika, jednocześnie ciągnąc manetkę gazu, aż silnik zacznie działać.
4. Ustawić dźwignię ssania w położeniu OFF CHOKE (ssanie wyłączone) (pozycja otwarta).

## Zatrzymywanie silnika

- Nacisnąć i zwolnić wyłącznik silnika. Przełącznik automatycznie powróci do pozycji ON (w.).

Odczekać 7 s przed próbą ponownego uruchomienia produktu, aby upewnić się, że przełącznik zostanie zresetowany.

## Używanie dyszy

- Gdy konieczna jest dokładność i duża koncentracja strumienia powietrza, należy użyć standardowej dyszy. (Rys. 29)
- Gdy konieczny jest szerszy strumień powietrza i większa prędkość powietrza, należy użyć dyszy wysokiej prędkości. (Rys. 30)

## Regulacja dyszy dmuchawy

1. Obrócić dyszę w lewo, aby odłączyć mocowanie bagietowe.
2. Przesunąć dyszę do właściwego położenia.
3. Obrócić dyszę w prawo, aż zatrzaśnie się na miejscu.

## Odkurzanie

Przed odkurzaniem należy założyć niezbędne wyposażenie bezpieczeństwa.

---



**OSTRZEŻENIE:** Przed użyciem upewnić się, że worek odkurzacza nie jest uszkodzony oraz że zamek błyskawiczny jest zamknięty. Nie wolno używać uszkodzonego worka. Zapobiegnie to obrażeniom powodowanym przez wyrzucane w powietrze zanieczyszczenia. Obsługa lewą ręką zwiększa ryzyko. Ciało nie może dotykać obszaru wylotu spalin.

---



**OSTRZEŻENIE:** Nie włączaj dmuchawy, jeśli pokrywa wlotu jest otwarta lub uszkodzona (z wyjątkiem sytuacji, gdy zamontowana jest rura odkurzacza).

---

- W czasie pracy dmuchawy worek musi być przytrzymywany przez pasek naramienny. Pasek należy zakładać na górę ramienia.
- Uruchomić dmuchawę. Przestrzegać instrukcji podanych w rozdziale *Uruchamianie i wyłączenie na stronie 205* dotyczącym uruchamiania i wyłączania. Przeczytać zasady bezpieczeństwa *Bezpieczeństwo na stronie 201*.

## Opróżnianie worka odkurzacza



**OSTRZEŻENIE:** Zawsze należy sprawdzać worek odkurzacza. Przed użyciem upewnić się, że nie jest on uszkodzony oraz że zamek błyskawiczny jest zamknięty. Nie wolno używać uszkodzonego worka. Wyrzucane z uszkodzonego worka zanieczyszczenia mogą powodować ryzyko odniesienia obrażeń. Należy zachować

ostrożność podczas obsługi lewą ręką. Nie wolno dotykać obszaru wylotu spalin.

1. Zatrzymać urządzenie.

2. Otworzyć zamek błyskawiczny z boku.
3. Opróżnić worek odkurzacza.
4. Zamknąć zamek.

## Przegląd



**OSTRZEŻENIE:** Przed czyszczeniem, naprawą lub konserwacją produktu zapoznać się z rozdziałem dotyczącym bezpieczeństwa.

### Plan konserwacji

Należy przestrzegać planu konserwacji. Interwały są obliczane dla codziennego używania maszyny. Interwały są inne, jeśli maszyna nie jest używana każdego dnia. Przeprowadzać wyłącznie te prace konserwacyjne, które są opisane w tej instrukcji. W sprawie prac konserwacyjnych, których nie opisano w niniejszej instrukcji, skontaktować się z autoryzowanym centrum serwisowym.

#### Przegląd codzienny

- Oczyszczyć powierzchnie zewnętrzne.
- Sprawdzić działanie funkcji regulacji obrotów i manetki gazu. Wymień wadliwe elementy.
- Sprawdzić wyłącznik. W razie potrzeby należy go wymienić.
- Sprawdzić prędkość obrotową biegu jałowego.
- Czyszczenie filtra powietrza. W razie potrzeby należy go wymienić.
- Upewnić się, że pokrywę wlotu można zablokować w pozycji zamkniętej. Zadać o czystość wirlnika.
- Dokręcić wszystkie nakrętki i śruby.
- Upewnić się, że obudowy nie są popękane.
- Upewnić się, że worek odkurzacza nie jest uszkodzony oraz że zamek błyskawiczny działa. W razie potrzeby wymienić worek.

#### Przegląd cotygodniowy

- Sprawdzić stan rozrusznika, linki rozrusznika i sprężyny napinającej. Wymienić wszystkie uszkodzone części.
- Sprawdzić stan układu wlotowego powietrza przy rozruszniku. Usunąć zanieczyszczenia, jeśli wlot powietrza jest zatkany.
- Oczyszczyć świecę zapłonową z zewnątrz. Wykręcić ją i sprawdzić odstęp między elektrodami. Ustawić odległość tak, aby wynosiła 6 mm (0,024 cala), lub wymienić świecę zapłonową na nową.
- Oczyszczyć łopatkę wirlnika.
- Oczyszczyć osłonę iskrochronu i wymienić go, jeśli to konieczne (nie dotyczy tłumików z katalizatorem).
- Wyczyścić okolice gaźnika.
- Czyszczenie filtra powietrza.

#### Przegląd miesięczny

- Sprawdzić rączkę linka rozrusznika oraz linkę rozrusznika.
- Oczyszczyć zbiornik paliwa.
- Oczyszczyć gaźnik i obszar wokół niego.
- Oczyszczyć łopatkę wirlnika.
- Sprawdzić, czy przewody paliwowe nie są pęknięte ani w inny sposób uszkodzone. Jeśli jest zanieczyszczony - wymienić
- Wymienić filtr paliwa w zbiorniku paliwa.
- Sprawdzić stan wszystkich przewodów i połączeń.
- Wymiana świecy zapłonowej.
- Wymienić filtr powietrza.

#### Konserwacja coroczna

- Sprawdzić świecę zapłonową.
- Oczyszczyć zewnętrzne powierzchnie gaźnika i przylegających obszarów.
- Oczyszczyć system chłodzący.
- Sprawdzić siatkę iskrochronu.
- Sprawdzić filtr paliwa.
- Sprawdzić przewód paliwowy pod kątem uszkodzeń.
- Sprawdzić stan wszystkich przewodów i połączeń.

#### Konserwacja po 50 godzinach pracy

- Naprawić lub wymienić tłumik w autoryzowanym centrum serwisowym.

### Regulacja obrotów biegu jałowego

- Przed regulacją obrotów biegu jałowego sprawdzić, czy filtr powietrza jest czysty i przymocować pokrywę filtra powietrza.
- Wyregulować obroty biegu jałowego za pomocą śruby regulacji oznaczonej symbolem „T”.
- Obroty jałowe ustawione są prawidłowo, jeżeli silnik pracuje płynnie w każdym położeniu.

(Rys. 31)

1. Aby zwiększyć obroty, obrócić śrubę regulacji w prawo.
2. Aby zmniejszyć obroty, obrócić śrubę regulacji w lewo.

### Konserwacja chwytacza iskier

Użyć szczotki drucianej do czyszczenia chwytacza iskier.

### Czyszczenie układu chłodzenia

(Rys. 32)

Czyścić części układu chłodzenia szczotką.

## Sprawdzanie świecy zapłonowej



**UWAGA:** Stosuj wyłącznie świece zapłonowe zalecane przez producenta. Niewłaściwy typ świecy zapłonowej może spowodować uszkodzenie produktu.

- Sprawdzić świecę zapłonową, jeśli silnik ma za małą moc, trudno go uruchomić lub nie działa prawidłowo na biegu jałowym.
- Aby zmniejszyć ryzyko przedostawania się niepożądanych materiałów na elektrody świecy zapłonowej, należy przestrzegać poniższych instrukcji:
  - a) Dopilnować, by obroty biegu jałowego zostały prawidłowo wyregulowane.
  - b) Dopilnować, aby używana była odpowiednia mieszanka paliwowa.
  - c) Zadbac o czystość filtra powietrza.
- Jeśli świeca zapłonowa jest zabrudzona, należy ją wyczyścić i upewnić się, że odstęp między

elektrodami jest prawidłowy, patrz *Dane techniczne na stronie 208*. (Rys. 33)

- W razie potrzeby wymienić świecę zapłonową.

## Konserwacja filtra powietrza

### Czyszczenie filtra powietrza

1. Zdjąć pokrywę filtra powietrza i wyjąć filtr powietrza. (Rys. 34)
2. Oczyszczyć filtr powietrza ciepłą wodą z mydłem. Przed zamontowaniem filtra poczekać na jego wyschnięcie.
3. Wymienić filtr powietrza, jeśli jest zbyt brudny, aby całkowicie go wyczyścić. Zawsze wymieniać uszkodzony filtr powietrza.
4. Jeśli maszyna jest wyposażona w piankowy filtr powietrza, stosować olej do filtrów powietrza. Oleju do filtrów powietrza należy używać wyłącznie do filtrów piankowych. Nie stosować oleju do filtrów filcowych.

## Dane techniczne

	jednostka	125B (125B28HV)	125BX (125B28HV)	125BVX (125B28HV)
<b>Specyfikacje silnika</b>				
Pojemność skokowa cylindra	cm <sup>3</sup>	28	28	28
Odstęp między elektrodami	mm	0,6	0,6	0,6
Pojemność zbiornika paliwa	cm <sup>3</sup>	500	500	500
Prędkość obrotowa biegu jałowego	min <sup>-1</sup>	2800–3200	2800–3200	2800–3200
Maksymalna prędkość wyjściowa	min <sup>-1</sup>	8000	8000	8000
Moc wyjściowa	kW	0,8	0,8	0,8
Świeca zapłonowa		Champion RCJ-6Y	Champion RCJ-6Y	Champion RCJ-6Y
Tryb maksymalnej prędkości nadmuchu	min <sup>-1</sup>	8600	8600	8600
Maksymalna prędkość w trybie odkurzania	min <sup>-1</sup>	—	7500	7500
Okres trwałości emisji	h	125	125	125
<b>Dane dotyczące hałasu i drgań</b>				
Równoważny poziom drgań na uchwytych przy założonych rurach i dyszach dmuchawy (oryginalne) — patrz uwaga 1	m/s <sup>2</sup>	11,03	11,03	11,03
Równoważny poziom drgań na uchwytych przy założonych rurach odkurzacza (oryginalne), lewa/prawa — patrz uwaga 1	m/s <sup>2</sup>	—/—	12,16/12,29	12,16/12,29



Równoważny poziom ciśnienia akustycznego przy uchu operatora mierzony zgodnie z normą ISO 22868 przy założonych rurach i dyszach dmuchawy (oryginalne) — patrz uwaga 3	dB (A)	96	96	96
Ciśnienie akustyczne przy uchu operatora mierzony zgodnie z normą ANSI B175.2 przy założonych rurach i dyszach dmuchawy (oryginalnych)	dB (A)	71	71	71
Moc akustyczna, zmierzona — patrz Uwaga 2	dB (A)	109	109	109
Moc akustyczna, gwarantowana ( $L_{WA}$ ) — patrz Uwaga 2	dB (A)	112	112	112
<b>Wymiary produktu</b>				
Masa (bez paliwa, ale z zamocowaną rurą dmuchawy i standardową dyszą)	kg	4,3	4,4	4,4
<p><b>Ad. 1:</b> Odnotowane dane dotyczące równoważnego poziomu vibracji wykazują typowe rozproszenie statystyczne (odchylenie standardowe) w wysokości 1 m/s<sup>2</sup>.</p> <p><b>Ad. 2:</b> Emisję hałasu do otoczenia zmierzono jako moc akustyczną (<math>L_{WA}</math>) zgodnie z dyrektywą WE 2000/14/WE. Odnotowany poziom ciśnienia akustycznego dla maszyny został zmierzony z oryginalnym osprzętem, takim który daje najwyższy poziom hałasu. Różnica pomiędzy gwarantowanym a zmierzonym poziomem ciśnienia akustycznego wynika z tego, że poziom gwarantowany uwzględnia także rozproszenie w wynikach pomiaru oraz różnice pomiędzy różnymi urządzeniami o takim samym oznaczeniu modelowym zgodnie z dyrektywą 2000/14/WE.</p> <p><b>Ad. 3:</b> Odnotowane dane dotyczące równoważnego ciśnienia akustycznego urządzenia wykazują typowe rozproszenie statystyczne (odchylenie standardowe) w wysokości 1 dB(A).</p>				

Wentylator	Jednostka	125B	125BX	125BVX
Typ		Wentylator promieniowy	Wentylator promieniowy	Wentylator promieniowy
Maks. prędkość powietrza, dysza standardowa	km/h	217	217	217
Maks. prędkość powietrza, dysza wysokiej prędkości*	km/h	273	273	273
Objętość powietrza w trybie dmuchawy	cfm	425	425	425
Objętość powietrza w trybie odkurzacza	cfm	—	445	445
*Opcjonalne akcesorium do wybranych modeli				

## Akcesoria

125B, 125BX, 125BVX	
<b>Zatwierdzone akcesoria</b>	<b>Typ</b>
Zestaw do czyszczenia rynien	952 711 918

125BX, 125BX	
<b>Zatwierdzone akcesoria</b>	<b>Typ</b>
Zestaw odkurzacza	952 711 913
125B	
<b>Zatwierdzone akcesoria</b>	<b>Typ</b>
Dysza dużej prędkości wydmuchu	545 119 501

## Treść deklaracji zgodności z normami WE

My, Husqvarna AB, SE 561 82 Huskvarna, SWEDEN oświadczamy, przyjmując wyłączną odpowiedzialność, że przedstawiony produkt:

Ten certyfikat, załączony na podpisanej Deklaracji zgodności WE, dotyczy wszystkich miejsc produkcji oraz krajów pochodzenia, informacje o których umieszczono na produktach.

Dostarczona Gasoline Blower/ Blower-Vacuum jest zgodna ze specyfikacją prototypu poddanego badaniom.

Opis	Gasoline Blower/ Blower-Vacuum
Marka	Husqvarna
Platforma/typ/model	Platforma125B28HV reprezentująca model 125B, 125BX, 125BVX
Partia produkcyjna	Numer seryjny datowany na 2019 i późniejsze

spełnia wszystkie wymogi określone w odpowiednich dyrektywach i przepisach UE:

Dyrektywa/przepis	Opis
2006/42/EC	„maszynowa”
2014/30/EC	„dotycząca zgodności elektromagnetycznej”
2000/14/EC	„dotycząca emisji hałasu”
2011/65/EU	„dotycząca ograniczenia użycia określonych substancji niebezpiecznych”

Zostały zastosowane następujące normy zharmonizowane i/lub specyfikacje techniczne: EN ISO 12100, EN ISO 1186-1, CISPR 12, ISO 14982, EN 50581

Zgodnie z dyrektywą 2000/14/EC, Aneks V, deklarowane wartości dźwięku są podane w rozdziale „Dane techniczne” niniejszej instrukcji i w podpisanej deklaracji zgodności WE.

Jednostka certyfikująca Intertek przeprowadziła dobrowolną kontrolę w imieniu firmy Husqvarna AB oraz wydała Certyfikat zgodności poświadczający zgodność z Dyrektywą Rady Europejskiej 2006/42/EC.

---

# ÍNDICE

---

Introdução.....	211	Manutenção.....	218
Segurança.....	212	Especificações técnicas.....	219
Montagem.....	215	Acessórios.....	220
Funcionamento.....	216	Conteúdo da Declaração de Conformidade CE.....	221

---

## Introdução

---

### Manual do utilizador

O idioma inicial deste manual do utilizador é o Inglês. Os manuais do utilizador em outros idiomas são traduções do Inglês.

(Fig. 1)

1. Correia de ombro (125BVX)
2. Acelerador
3. Interruptor de paragem
4. Controlador de rotação
5. Alojamento da ventoinha
6. Tapa do depósito de combustível
7. Filtro de ar
8. Estrangulador
9. Bomba de combustível
10. Tapa de entrada
11. Punho do aspirador (125BX e 125BVX)
12. Cortadores (125BX e 125BVX)
13. Propulsor da ventoinha
14. Bocal standard
15. Bocal de alta velocidade (125BX e 125BVX)
16. Tubo do soprador
17. Parafuso do grampo do tubo
18. Porcas do grampo do tubo
19. Silenciador
20. Fio terra
21. Punho de arranque
22. Dispositivo de arranque
23. Parafuso de ajuste do carburador
24. Manual do utilizador
25. Dispositivo de aspiração com componentes de recolha, consistindo nos itens 26-30 abaixo
26. Tubo do saco de recolha
27. Saco de recolha
28. Tubo de aspiração em duas secções
29. Parafuso
30. Correia de ombro

### Símbolos no produto

(Fig. 2) Aviso

(Fig. 3) Leia este manual

### Revisão geral

(Fig. 4) Utilize protetores acústicos aprovados

(Fig. 4) Utilize uma proteção ocular aprovada

(Fig. 4) Utilize uma máscara antipoeira aprovada

(Fig. 5) Utilize luvas de proteção aprovadas

(Fig. 6) O produto pode causar a projeção de objetos, podendo resultar em lesões oculares

(Fig. 7) Distância de segurança

(Fig. 8) Não se aproxime do propulsor quando este se encontrar em rotação

(Fig. 9) Não deixe que as crianças se aproximem do produto

(Fig. 10) Nível de potência sonora

(Fig. 11) Nível de ruído

(Fig. 12) Certifique-se de que o cabelo comprido está preso acima dos seus ombros

(Fig. 13) O produto está em conformidade com as diretivas CE aplicáveis

(Fig. 14) O produto está em conformidade com as diretivas EAC aplicáveis

(Fig. 15) O produto está em conformidade com as diretivas aplicáveis da Ucrânia

---

**Nota:** Os restantes símbolos/autocolantes existentes no produto dizem respeito a exigências para homologação em outras áreas comerciais.

---

### Emissões Euro V

---



**ATENÇÃO:** A adulteração do motor anula a aprovação deste produto pela UE.

---

## Responsabilidade pelo produto

Como referido nas leis de responsabilidade pelo produto, não somos responsáveis por danos causados pelo nosso produto se:

- o produto tiver sido incorretamente reparado.
- o produto tiver sido reparado com peças que não sejam do fabricante ou que não sejam aprovadas pelo fabricante.

- o produto tiver um acessório que não seja do fabricante ou que não seja aprovado pelo fabricante.
- o produto não tiver sido reparado por um centro de assistência autorizado ou por uma autoridade aprovada.

---

## Segurança

---

### Definições de segurança

As definições abaixo indicam o nível de gravidade para cada palavra do sinal.



**ATENÇÃO:** Ferimentos pessoais.



**CUIDADO:** Danos no produto.

**Nota:** Esta informação facilita a utilização do produto.

### Instruções de segurança gerais



**ATENÇÃO:** Leia as instruções de aviso que se seguem antes de utilizar o produto.

- Utilize o produto corretamente. Ferimentos ou morte são resultados possíveis de utilização incorreta. Utilize apenas o produto para as tarefas descritas neste manual. Não utilize o produto para outras tarefas.
- Siga as instruções neste manual. Respeite as instruções e os símbolos de segurança. Ferimentos, danos ou morte são um resultado possível se o operador não respeitar as instruções e os símbolos.
- Não elimine este manual. Utilize as instruções para montar, para operar e para manter o seu produto em bom estado. Utilize as instruções para a instalação correta de acessórios. Utilize apenas acessórios aprovados.
- Não utilize um produto danificado. Respeite o esquema de manutenção. Realize apenas tarefas de manutenção descritas neste manual. Todas as outras tarefas de manutenção têm de ser realizadas por um centro de assistência autorizado.
- Este manual não pode incluir todas as situações que podem ocorrer quando utiliza o produto. Seja cuidadoso e use o seu senso comum. Não utilize o produto nem realize tarefas de manutenção no mesmo se não tiver a certeza acerca da situação. Fale com um especialista do produto, o seu concessionário, oficina autorizada ou centro de assistência autorizado para obter informações.
- Desligue o cabo da vela de ignição antes de montar o produto, de o armazenar ou de realizar tarefas de manutenção.
- Não utilize o produto se este for alterado da sua especificação inicial. Não altere uma parte do produto sem a aprovação do fabricante. Utilize apenas peças aprovadas pelo fabricante. Ferimentos ou morte são resultados possíveis de manutenção incorreta.
- Não respire os gases do motor. A inalação prolongada dos gases de escape do motor constitui um risco para a saúde.
- Não arranque o produto em locais fechados ou nas proximidades de material inflamável. Os gases de escape são quentes e podem conter faíscas que podem causar incêndios. O fluxo de ar insuficiente pode causar ferimentos ou morte devido a asfixia ou monóxido de carbono.
- Quando utilizar esse produto, o motor produz um campo eletromagnético. O campo eletromagnético pode causar danos a implantes médicos. Consulte o seu médico e o fabricante do implante antes de utilizar este produto.
- Não deixe uma criança utilizar o produto. Não permita que o produto seja operado por uma pessoa que não conheça as instruções.
- Certifique-se de que monitoriza sempre a utilização do produto por pessoas com diminuição da capacidade física ou mental. Tem de estar sempre presente um adulto responsável.
- Bloqueie o produto numa área à qual crianças e pessoas sem autorização não tenham acesso.
- O produto pode projetar objetos e causar ferimentos. Respeite as instruções de segurança para diminuir o risco de ferimentos ou morte.
- Não se afaste do produto quando o motor estiver ligado.
- O operador do produto é responsável caso ocorra um acidente.
- Certifique-se de que as peças não estão danificadas antes de utilizar o produto.
- Antes de utilizar o produto, certifique-se de que está, no mínimo, a 15 m (50 pés) de distância de outras pessoas ou de animais. Certifique-se de que as

pessoas na área adjacente sabem que irá utilizar o produto.

- Consulte as leis nacionais ou locais. Podem impedir ou diminuir o funcionamento do produto em algumas condições.
- Não utilize o produto se estiver cansado ou sob a influência de álcool, drogas ou medicamentos. Estes podem ter efeitos na sua visão, atenção, capacidade de discernimento ou controlo físico.

## Segurança da vibração

Este produto foi concebido apenas para funcionamento ocasional. O funcionamento contínuo ou regular do produto pode causar "síndrome dos dedos brancos" ou problemas médicos equivalentes causados pelas vibrações. Examine o estado das suas mãos e dedos se utilizar o produto de forma contínua ou regular. Se as suas mãos ou dedos apresentarem descoloração, se tiver dor ou uma sensação de zumbido ou dormência, pare de trabalhar e consulte imediatamente um médico.

## Instruções de segurança para o funcionamento do soprador

- Utilize o produto apenas para soprar ou remover folhas e outros detritos do chão.
- Não opere o produto quando estiver cansado, doente ou tiver consumido álcool, drogas ou medicamentos.
- Não permita que outras pessoas ou animais estejam a menos de 15 m (50 pés) do operador.
- O produto pode ejetar objetos a alta velocidade que, por sua vez, podem fazer ricochete e atingir operador. Isto pode provocar lesões oculares.
- Não aponte o bocal do soprador na direção de pessoas ou animais.
- Certifique-se de que o cabelo comprido está preso acima dos seus ombros.
- Pare o motor antes de montar ou desmontar os acessórios ou outros componentes.
- Não opere o produto sem a proteção.
- Não opere o produto se houver pessoas na área de trabalho. Pare o produto se uma pessoa for para a área de trabalho.
- Não opere o produto num espaço com um fluxo de ar insatisfatório. Um fluxo de ar insuficiente pode causar ferimentos ou morte devido a asfixia ou monóxido de carbono.
- O silenciador está muito quente enquanto o produto está ligado, depois de este parar e quando funciona ao ralenti. Tenha cuidado nas proximidades de materiais e gases inflamáveis.
- Não toque na área da cobertura da entrada. Mantenha joias e roupas folgadas afastadas da área de entrada.
- Mantenha sempre um apoio correto e opere o produto apenas sobre superfícies seguras e planas. Superfícies escorregadias ou não estáveis, como

escadas, podem causar uma perda de equilíbrio ou controlo.

- Não opere o produto numa área elevada, como um telhado.
- Trave o produto durante o transporte.
- Opere o produto apenas à hora recomendada. Respeite os regulamentos locais. O horário normalmente recomendado é das 9h às 17h, de segunda-feira a sábado.
- Opere o produto à velocidade mais baixa possível para realizar o trabalho.
- Certifique-se de que não pode cair quando utilizar o produto. Não se incline quando operar o produto.
- Certifique-se de que o produto se encontra em boas condições antes de o operar, especialmente o silenciador, a admissão de ar e o filtro de ar.
- Utilize um ancinho ou uma vassoura para separar os detritos do chão antes de operar o produto.
- Se a área de trabalho estiver suja, regue-a com uma mangueira.
- Utilize o produto como uma alternativa a uma mangueira para poupar água.
- Sobre os detritos com segurança. Tenha cuidado com crianças, animais, janelas abertas ou veículos.
- Não aponte o produto para plantas facilmente danificadas.
- Não sopre ar na direção de objetos, como paredes, pedras grandes, veículos e vedações.
- Se trabalhar em cantos interiores, sopre a partir do canto e para o centro da área de trabalho. Caso contrário, os detritos podem atingir o seu rosto e causar lesões oculares.
- Utilize a extensão completa do bocal, de modo a manter o fluxo de ar próximo do chão.
- É necessário que terceiros usem proteção ocular.
- Elimine os detritos nos recipientes de lixo após a utilização do produto.

## Instruções de segurança para a operação do aspirador

- Evitar danos na ventoinha. Não aspire objetos grandes e sólidos, como madeira, latas, borracha triturada ou pedaços grandes de corda.
- Não permita que o tubo de aspiração entre em contacto com o chão.
- Pare o motor e solte a cobertura da vela de ignição antes de remover um bloqueio ou material obstruído.

## Equipamento de proteção pessoal

- Utilize sempre equipamento de proteção pessoal adequado quando operar o produto. O equipamento de proteção pessoal não elimina o risco de ferimentos. O equipamento de proteção pessoal diminui a gravidade dos ferimentos em caso de acidente.
- Utilize sempre uma proteção ocular aprovada enquanto opera o produto.

- Não opere o produto com os pés descalços ou com calçado aberto. Use sempre botas antiderrapantes resistentes.
- Use calças compridas e resistentes.
- Se for necessário, use luvas de proteção aprovadas.
- Use um capacete caso haja possibilidade de objetos caírem na sua cabeça.
- Utilize sempre proteção auditiva aprovada enquanto opera o produto. A exposição prolongada a ruído pode causar perda da capacidade auditiva.
- Use sempre uma máscara antipoeira aprovada enquanto operar o produto em ambientes poeirentos.
- Certifique-se de que tem um kit de primeiros socorros por perto.

## Dispositivos de proteção no produto

- Certifique-se de que realiza regularmente tarefas de manutenção do produto.
    - A vida útil do produto é aumentada.
    - O risco de acidentes é reduzido.
- Leve regularmente o produto a um concessionário autorizado ou a um centro de assistência autorizado para que o examinem e realizem ajustes ou reparações.
- Não utilize o produto com equipamento de proteção danificado. Se o produto estiver danificado, fale com um centro de assistência autorizado.

## Interruptor de paragem

Ligue o motor. Certifique-se de que o motor para quando move o interruptor de paragem para a posição de paragem.  
(Fig. 16)

## Silenciador



**ATENÇÃO:** Não toque no silenciador se este estiver quente. O silenciador está muito quente enquanto o motor está em funcionamento e depois de este parar. Se tocar no silenciador, este pode causar queimaduras.

- Não utilize um motor com um silenciador danificado. Um silenciador danificado aumenta o nível de ruído e o risco de incêndio. Mantenha um extintor de incêndios por perto.
- Examine regularmente se o silenciador está fixo ao produto.
- Não toque no motor ou no silenciador quando o motor está ligado. Não toque no motor ou no silenciador durante algum tempo após a paragem do motor. As superfícies quentes podem causar ferimentos.
- Um silenciador quente pode provocar um incêndio. Tenha cuidado se utilizar o produto nas proximidades de líquidos inflamáveis ou gases.

- Não toque nas peças do silenciador, caso este esteja danificado. As peças podem conter alguns produtos químicos cancerígenos.
- Alguns modelos de soprador têm uma rede retentora de faíscas. Limpe e substitua a rede nos intervalos especificados. Consulte a secção de Manutenção (*Manutenção na página 218*).

(Fig. 17)

## Segurança no manuseamento do combustível

- Não ligue o produto se houver combustível ou óleo do motor sobre o produto. Remova o combustível/óleo indesejado e deixe o produto secar. Remova o combustível indesejado do produto.
- Se derramar combustível na sua roupa, troque de roupa imediatamente.
- Não deixe que o combustível entre em contacto com o seu corpo, pois pode causar ferimentos. Se o combustível entrar em contacto com o seu corpo, use sabão e água para o remover.
- Não ligue o motor se derramar óleo ou combustível no produto ou no seu corpo.
- Não ligue o produto se o motor tiver uma fuga. Examine regularmente o motor quanto a fugas.
- Tenha cuidado com o combustível. O combustível é inflamável e os gases são explosivos e podem causar ferimentos ou morte.
- Não respire os gases do combustível, podem causar ferimentos. Certifique-se de que existe um fluxo de ar suficiente.
- Não fume perto de combustível ou do motor.
- Não coloque objetos quentes perto do combustível ou do motor.
- Não acrescente combustível com o motor em funcionamento.
- Certifique-se de que o motor está frio antes de reabastecer.
- Antes de reabastecer, abra lentamente a tampa do depósito de combustível e liberte a pressão com cuidado.
- Não adicione combustível ao motor numa área interior. O fluxo de ar insuficiente pode causar ferimentos ou morte devido a asfixia ou monóxido de carbono.
- Aperte a tampa do depósito de combustível com cuidado ou pode ocorrer um incêndio.
- Desloque o produto a uma distância mínima de 3 m (10 pés) da posição onde abasteceu o depósito antes de começar.
- Não encha demasiado o depósito de combustível.
- Certifique-se de que não ocorrem fugas quando desloca o produto ou o recipiente de combustível.
- Não coloque o produto ou um recipiente de combustível onde houver uma chama aberta, faísca ou luz piloto. Certifique-se de que a área de armazenamento não contém uma chama aberta.

- Utilize apenas recipientes aprovados quando deslocar ou armazenar o combustível.
- Esvazie o depósito de combustível antes do armazenamento a longo prazo. Respeite a legislação local sobre a eliminação de combustível.
- Limpe o produto antes do armazenamento a longo prazo.
- Remova o cabo de vela de ignição antes de armazenar o produto, para se certificar de que o motor não arranca acidentalmente.

## Instruções de segurança para manutenção



**ATENÇÃO:** Uma manutenção incorreta pode resultar em danos sérios no motor ou ferimentos graves.

O proprietário é responsável pela execução de toda a manutenção necessária, conforme especificado no manual do operador. Desligue a vela de ignição antes da tarefa de manutenção. Não desligue a vela de ignição antes de efetuar ajustes no carburador.

## Montagem



**ATENÇÃO:** Leia o capítulo sobre segurança antes de montar o produto.

### Instalar o tubo do soprador e o bocal no produto

**Nota:** O parafuso tem de estar suficientemente solto para colocar o tubo do soprador na saída do soprador. Para desapertar o parafuso, rode-o no para a esquerda com uma chave de parafusos.

1. Alinhe a nervura no tubo superior do soprador com a ranhura na saída do soprador. Desloque o tubo para a posição.
2. Rode o parafuso para a direita com uma chave de parafusos para fixar o tubo.

**Nota:** Não utilize qualquer ferramenta na porca.

3. Alinhe as ranhuras do tubo inferior do soprador com as linguetas do tubo superior do soprador. Desloque o tubo inferior do soprador sobre o tubo superior do soprador.
4. Rode o tubo inferior do soprador para a direita até ouvir um clique.

### Instalar o saco de recolha com os diferentes tubos de aspiração



**ATENÇÃO:** Desligue o motor antes de fixar os tubos no produto.

#### Montar o saco de recolha

1. Abra o saco de recolha.
2. Introduza o tubo do saco de recolha a partir do interior do saco de modo a encaixá-lo na entrada de aspiração do saco.
3. Certifique-se de que o elástico assenta na ranhura (A).

4. Feche o fecho do saco. (Fig. 18)

#### Instalar o tubo do saco de recolha

1. Retire o tubo do soprador, caso esteja instalado.
2. Alinhe a extremidade do tubo do saco de recolha (A) com a ranhura na saída do soprador (B).
3. Pressione totalmente o tubo do saco de recolha para dentro da saída do soprador.
4. Introduza a porca (C) na respetiva abertura.
5. Instale o parafuso (D) e aperte com uma chave de parafusos para fixar o tubo. (Fig. 19)

#### Fixar os tubos de aspiração em conjunto

1. Alinhe a seta no tubo de aspiração inferior (A) com a seta no tubo de aspiração superior (B).
2. Pressione o tubo de aspiração inferior para dentro do tubo de aspiração superior.
3. Utilize uma chave de parafusos para instalar o parafuso autorroscante (C) que fixa os tubos. (Fig. 20)

#### Instalar o tubo de aspiração

1. Introduza a ponta de uma chave de fendas na área do trinco da entrada de aspiração.
2. Rode a chave de parafusos para soltar o trinco. (Fig. 21)
3. Mantenha a tampa da entrada de aspiração aberta até que o tubo de aspiração superior esteja na devida posição.
4. Alinhe as extremidades situadas no interior da entrada de aspiração com as ranhuras do tubo de aspiração superior. Certifique-se de que o símbolo de bloqueio no tubo está alinhado com o símbolo de desbloqueio na entrada de aspiração. (Fig. 22)
5. Pressione totalmente o tubo de aspiração superior para dentro da entrada de aspiração.
6. Rode o tubo de aspiração superior para a direita até que o símbolo de bloqueio no tubo fique alinhado com o símbolo de bloqueio na entrada de aspiração.

O tubo faz um clique quando está corretamente encaixado. (Fig. 23)

## Funcionamento



**ATENÇÃO:** Certifique-se de que lê e compreende o capítulo sobre segurança antes de operar o produto.

### Combustível

#### Utilizar combustível



**CUIDADO:** Este produto tem um motor de dois tempos. Utilize uma mistura de gasolina e óleo de motor de dois tempos. Certifique-se de utilizar a quantidade correta de óleo na mistura. A relação incorreta de gasolina e óleo pode causar danos ao motor.

#### Gasolina



**CUIDADO:** Não utilize gasolina com um índice de octanas inferior a 90 RON (87 AKI). Caso contrário, pode causar danos no produto.



**CUIDADO:** Não utilize gasolina com mais de 10% de concentração de etanol (E10). Caso contrário, pode causar danos no produto.



**CUIDADO:** Não utilize gasolina com chumbo. Caso contrário, pode causar danos no produto.

- Utilize sempre gasolina sem chumbo nova com um índice de octanas mínimo de 90 RON (87 AKI) e com menos de 10% de concentração de etanol (E10).
- Utilize gasolina com um índice de octanas superior se costumar utilizar o produto a uma velocidade do motor continuamente elevada.
- Utilize sempre uma mistura de gasolina sem chumbo/óleo de qualidade.

#### Óleo de motor de dois tempos

- Utilize apenas óleo de motor de dois tempos de alta qualidade. Utilize apenas óleo de motor refrigerado a ar.
- Não utilize outros tipos de óleo.
- Relação de mistura 50:1 (2%)

Gasolina	Óleo
1 gal (EUA)	77 ml (2,6 oz)
1 gal (Reino Unido)	95 ml (3,2 oz)

Gasolina	Óleo
5 l	100 ml (3,4 oz)

#### Preparar a mistura de combustível

**Nota:** Utilize sempre um recipiente de combustível limpo quando misturar o combustível.

**Nota:** Não prepare uma quantidade de mistura de combustível para mais de 30 dias.

1. Adicione metade da quantidade de gasolina.
2. Adicione a quantidade total de óleo.
3. Agite a mistura de combustível para misturar o conteúdo.
4. Adicione a restante quantidade de gasolina.
5. Agite a mistura de combustível para misturar o conteúdo.
6. Encha o depósito de combustível.

#### Adicionar combustível

- Utilize sempre um recipiente de combustível com uma proteção contra enchimento excessivo.
- Se houver algum combustível no recipiente, retire o combustível indesejado e deixe o recipiente secar.
- Certifique-se de que a área perto da tampa do depósito de combustível está limpa.
- Agite o recipiente de combustível antes de adicionar a mistura de combustível ao depósito de combustível.

#### Ligar e desligar

##### Antes de ligar o motor

- Examine o produto quanto a peças em falta, danificadas, soltas ou desgastadas.
- Examine o saco de recolha. Certifique-se de que o saco de recolha não está danificado e de que o fecho de correr está fechado.
- Examine as porcas e os parafusos.
- Examine o filtro de ar.
- Verifique se o acelerador funciona corretamente.
- Examine se o interruptor de paragem está a funcionar corretamente.
- Examine o produto quanto a fugas de combustível.



## Arrancar com o motor frio



**ATENÇÃO:** Não enrole o cabo de arranque à volta do seu braço.



**CUIDADO:** Não segure o produto com o seu pé.



**CUIDADO:** Não puxe o cabo de arranque até à posição final. Não solte o punho do cabo de arranque quando o cabo de arranque estiver estendido. Isto pode danificar o produto.

**Nota:** Se o motor parar, desloque o controlo do estrangulador para a posição fechada e repita os passos de arranque.

1. Encha o depósito de combustível com uma mistura de combustível limpa.
2. Empurre a bomba de combustível 10 vezes. (Fig. 24)
3. Desloque o controlo do estrangulador do motor para a posição de ESTRANGULAÇÃO TOTAL (fechada). (Fig. 25)
4. Empurre o controlador de rotação variável totalmente para a esquerda. (Fig. 26)
5. Com a sua mão esquerda, seguro o corpo da máquina no chão.
6. Puxe o punho do cabo de arranque até que o motor tente arrancar. Não puxe mais de 3 vezes.
7. Desloque o controlo do estrangulador para a posição 1/2 e puxe o punho do cabo de arranque até o motor arrancar e se encontrar em funcionamento. (Fig. 27)
8. Deixe o motor trabalhar durante cerca de 10 segundos.
9. Pressione o acelerador e mantenha-o totalmente pressionado durante todos os passos restantes.
10. Desloque o controlo do estrangulador para a posição de ESTRANGULADOR DESLIGADO (aberta). (Fig. 28)
11. Aqueça o motor durante 1 minuto.

## Arranque com o motor quente

1. Pressione o acelerador e mantenha-o pressionado.
2. Desloque o controlo do estrangulador para a posição 1/2.
3. Puxe rapidamente o punho do cabo de arranque enquanto puxa o acelerador, até o motor funcionar.
4. Desloque o controlo do estrangulador para a posição de ESTRANGULADOR DESLIGADO (aberta).

## Para parar o motor

- Pressione e solte o interruptor de PARAGEM do motor. O interruptor volta automaticamente para a posição de LIGADO. Aguarde 7 segundos antes de tentar reiniciar o produto, de modo a garantir que o interruptor reinicia.

## Utilizar um bocal

- Utilize o bocal padrão quando forem necessitar de precisão e de uma elevada concentração do fluxo de ar. (Fig. 29)
- Utilize o bocal de alta velocidade quando necessitar de um fluxo de ar mais amplo e de uma grande velocidade do ar. (Fig. 30)

## Ajustar o bocal do soprador

1. Torça o bocal para a esquerda para desengatar o mecanismo de engate rápido.
2. Desloque o bocal para a posição aplicável.
3. Torça o bocal para a direita até sentir um clique.

## Aspirar

Antes de aspirar, coloque o equipamento de segurança necessário.



**ATENÇÃO:** Antes da utilização, certifique-se de que o saco de recolha não está danificado e de que o fecho de correr está fechado. Não utilize um saco que esteja danificado. Isto previne ferimentos causados por detritos projetados. A operação com a mão esquerda aumenta o risco. Não permita que o seu corpo entre em contacto com a área da saída de escape.



**ATENÇÃO:** Não ligue o soprador se a cobertura da entrada estiver aberta ou danificada (exceto se o tubo de aspiração estiver instalado).

- Durante o funcionamento do soprador, o saco de recolha tem de ser segurado pela correia de ombro. A correia deve ser usada na parte superior do ombro.
- Ligue o soprador. Respeite as instruções na secção de arranque e paragem *Ligar e desligar na página 216*. Leia as instruções de segurança *Segurança na página 212*.

## Esvaziar o saco de recolha



**ATENÇÃO:** Examine sempre o saco de recolha. Antes da utilização, certifique-se de que este não está danificado e de que o fecho de correr está fechado. Não utilize um saco danificado. Existe um risco de ferimentos devido a detritos projetados. Tenha cuidado se operar o produto com a

mão esquerda. Não toque na área da saída de escape.

1. Pare o produto.

2. Abra o fecho de correr na parte lateral.
3. Esvazie o saco de recolha.
4. Feche o fecho.

---

## Manutenção

---



**ATENÇÃO:** Certifique-se de que leu e compreendeu o capítulo sobre segurança antes de limpar, reparar ou realizar tarefas de manutenção no produto.

### Esquema de manutenção

Certifique-se de que respeita o esquema de manutenção. Os intervalos são calculados a partir da utilização diária do produto. Os intervalos são diferentes se não utilizar o produto diariamente. Realize apenas tarefas de manutenção descritas neste manual. Fale com um centro de assistência autorizado sobre outras tarefas de manutenção não descritas neste manual.

#### Manutenção diária

- Limpe as superfícies externas.
- Verifique o funcionamento do controlador de rotação e do acelerador. Substitua as peças danificadas.
- Examine o interruptor de paragem. Se for necessário, substitua-o.
- Examine o ralenti.
- Limpe o filtro de ar. Se for necessário, substitua-o.
- Certifique-se de que a cobertura da entrada pode ser bloqueada na posição fechada. Certifique-se de que o propulsor está limpo.
- Aperte todas as porcas e todos os parafusos.
- Certifique-se de que as caixas não apresentam fissuras.
- Certifique-se de que o saco de recolha não está danificado e de que o fecho de correr funciona. Se necessário, substitua o saco.

#### Manutenção semanal

- Verifique o estado do dispositivo de arranque, do cabo de arranque e da mola de tensão. Substitua todas as peças danificadas.
- Verifique o estado da admissão de ar no dispositivo de arranque. Remova os detritos se a admissão de ar estiver obstruída.
- Limpe o exterior da vela de ignição. Remova-a e verifique a distância entre os elétrodos. Ajuste a distância para 6 mm (0,024 pol.) ou substitua a vela de ignição.
- Limpe as lâminas no propulsor.
- Limpe a rede retentora de faíscas e, se necessário, substitua-a (não em silenciadores com um catalisador).
- Limpe a área do carburador.
- Limpe o filtro de ar.

#### Manutenção mensal

- Examine o punho do cabo de arranque e o cabo de arranque.
- Limpe o depósito de combustível.
- Limpe o carburador e a área em redor do mesmo.
- Limpe as lâminas no propulsor.
- Verifique se os tubos de combustível apresentam fissuras ou outros danos. Substitua-o, se necessário
- Substitua o filtro de combustível no depósito de combustível.
- Examine todos os cabos e ligações.
- Substitua a vela de ignição.
- Substitua o filtro de ar.

#### Manutenção anual

- Examine a vela de ignição.
- Limpe a superfície externa do carburador e as áreas adjacentes.
- Limpe o sistema de arrefecimento.
- Examine a rede retentora de faíscas.
- Examine o filtro de combustível.
- Examine a mangueira de combustível quanto a danos.
- Examine todos os cabos e ligações.

#### Manutenção das 50 horas

- Leve o silenciador a um centro de assistência autorizado para reparação ou substituição.

### Ajustar o ralenti

- Certifique-se de que o filtro de ar está limpo e que a cobertura do filtro de ar está montada antes de ajustar a velocidade de ralenti.
- Ajuste o ralenti com o parafuso em T de ajuste do ralenti, identificado com a marca "T".
- O ralenti está correto se o motor funcionar suavemente em todas as posições.

(Fig. 31)

1. Rode o parafuso de ajuste do ralenti para a direita para uma velocidade mais elevada.
2. Rode o parafuso de ajuste do ralenti para a esquerda para uma velocidade inferior.

### Realizar tarefas de manutenção na rede retentora de faíscas

Utilize uma escova metálica para limpar a rede retentora de faíscas.

## Limpar o sistema de arrefecimento

(Fig. 32)

Limpe as peças do sistema de arrefecimento com uma escova.

## Examinar a vela de ignição



**CUIDADO:** utilize sempre o tipo de vela de ignição recomendado. Um tipo de vela de ignição incorreto pode provocar danos no produto.

- Examine a vela de ignição para verificar se o motor apresenta uma potência reduzida ou dificuldades de arranque, ou se não funciona corretamente ao ralenti.
- Para diminuir o risco de materiais indesejados nos eléctrodos da vela de ignição, siga estas instruções:
  - Assegure-se de que a rotação em vazio está corretamente regulada.
  - Certifique-se de que a mistura de combustível está correta.
  - Certifique-se de que o filtro de ar está limpo.

- Se a vela de ignição estiver suja, limpe-a e certifique-se de que a distância entre os eléctrodos está correta; consulte *Especificações técnicas na página 219*. (Fig. 33)
- Se for necessário, substitua a vela de ignição.

## Realizar tarefas de manutenção do filtro de ar

### Para limpar o filtro de ar

- Retire a cobertura do filtro de ar e o filtro de ar. (Fig. 34)
- Limpe o filtro de ar com água quente com sabão. Certifique-se de que o filtro de ar está seco antes de o instalar.
- Substitua o filtro de ar caso esteja demasiado sujo para o limpar totalmente. Substitua sempre um filtro de ar danificado.
- Se o seu produto possui um filtro de ar de espuma, aplique óleo do filtro de ar. Aplique apenas óleo do filtro de ar a um filtro de espuma. Não aplique óleo a um filtro de feltro.

## Especificações técnicas

	uni- dade	125B (125B28HV)	125BX (125B28HV)	125BVX (125B28HV)
<b>Especificações do motor</b>				
Cilindrada	cm <sup>3</sup>	28	28	28
Distância entre os eléctrodos	mm	0,6	0,6	0,6
Volume do depósito de combustível	cm <sup>3</sup>	500	500	500
Rotação em vazio	mín <sup>-1</sup>	2800 - 3200	2800 - 3200	2800 - 3200
Velocidade da potência máxima	mín <sup>-1</sup>	8000	8000	8000
Potência útil	kW	0,8	0,8	0,8
Vela de ignição		Champion RCJ-6Y	Champion RCJ-6Y	Champion RCJ-6Y
Rotação máxima no modo de sopro	mín <sup>-1</sup>	8600	8600	8600
Rotação máxima no modo de aspiração	mín <sup>-1</sup>	--	7500	7500
Período de durabilidade das emissões	h	125	125	125
<b>Dados de ruído e vibração</b>				
Nível de vibração equivalente em punhos com tubos do soprador e bocal (original) – consulte a nota 1	m/s <sup>2</sup>	11,03	11,03	11,03
Nível de vibração equivalente em punhos com tubos de aspiração (original), esquerda/direita – consulte a nota 1	m/s <sup>2</sup>	--/--	12,16/12,29	12,16/12,29

Nível de pressão sonora equivalente ao nível do ouvido do operador, medido de acordo com a norma ISO 22868, equipado com tubos do soprador e bocal (original) - consulte a nota 3	dB(A)	96	96	96
Pressão sonora ao nível do ouvido de terceiros, medida de acordo com a norma ANSI B175.2, com tubos do soprador e bocal (original)	dB(A)	71	71	71
Nível de potência sonora, medido - ver nota 2	dB(A)	109	109	109
Nível de potência sonora, garantida ( $L_{WA}$ ) - ver nota 2	dB(A)	112	112	112
<b>Dimensões do produto</b>				
Peso (sem combustível, mas com tubo do soprador e bocal padrão instalados)	kg	4,3	4,4	4,4
<p><b>Nota 1:</b> os dados comunicados relativamente ao nível de vibração equivalente têm uma dispersão estatística típica (desvio padrão) de 1 m/s<sup>2</sup>.</p> <p><b>Nota 2:</b> Emissões de ruído para as imediações, medidas sob forma de potência sonora (<math>L_{WA}</math>) em conformidade com a diretiva da CE 2000/14/CE. O nível de potência sonora registado para a máquina foi medido com o acessório original que debita o nível mais alto. A diferença entre a potência sonora garantida e medida é que a potência sonora garantida inclui também a dispersão no resultado da medição e as variações entre diferentes máquinas do mesmo modelo, de acordo com a diretiva 2000/14/CE.</p> <p><b>Nota 3:</b> Os dados registados para o nível de pressão sonora equivalente para a máquina têm uma dispersão estatística típica (desvio padrão) de 1 dB (A).</p>				

Ventoinha	Unidade	125B	125BX	125BVX
Tipo		Ventoinha radial	Ventoinha radial	Ventoinha radial
Velocidade máx. do ar, bocal padrão	km/h	217	217	217
Velocidade máx. do ar, bocal de alta velocidade*	km/h	273	273	273
Volume de ar no modo de sopro	cfm	425	425	425
Volume de ar no modo de aspiração	cfm	--	445	445
*acessório opcional para alguns modelos				

## Acessórios

125B, 125BX, 125BVX	
<b>Acessórios aprovados</b>	<b>Tipo</b>
Kit de limpeza de calhas	952 711 918
125BX, 125BX	
<b>Acessórios aprovados</b>	<b>Tipo</b>
Kit de aspiração	952 711 913

125B	
<b>Acessórios aprovados</b>	<b>Tipo</b>
Bocal de alta velocidade	545 119 501

## Conteúdo da Declaração de Conformidade CE

A Husqvarna AB, SE 561 82 Huskvarna, SWEDEN, declara, sob sua inteira responsabilidade, que o produto representado:

<b>Descrição</b>	<b>Gasoline Blower/ Blower-Vacuum</b>
Marca	Husqvarna
Plataforma/Tipo/Modelo	Plataforma 125B28HV, representando o modelo 125B, 125BX, 125BVX
Lote	Número de série referente 2019 e posteriores

está em plena conformidade com as seguintes diretivas e regulamentos da UE:

<b>Diretiva/Regulamento</b>	<b>Descrição</b>
2006/42/EC	"relativa a máquinas"
2014/30/EC	"relativa à compatibilidade eletromagnética"
2000/14/EC	"relativa ao ruído exterior"
2011/65/EU	"restrição do uso de determinadas substâncias perigosas"

As normas harmonizadas e/ou especificações técnicas aplicadas são as seguintes: EN ISO 12100, EN ISO 1186-1, CISPR 12, ISO 14982, EN 50581

Em conformidade com a Diretiva 2000/14/EC, Anexo V, os valores de som declarados são indicados na secção de especificações técnicas deste manual e na Declaração de conformidade da CE assinada.

A Intertek executou um controlo voluntário em nome da Husqvarna AB, de modo a fornecer um Certificado de conformidade com a Diretiva 2006/42/EC do Conselho da CE relativa a máquinas.

O certificado, conforme fornecido na Declaração de conformidade da CE assinada, é aplicável a todos os locais de fabrico e países de origem, conforme indicado no produto.

O Gasoline Blower/ Blower-Vacuum fornecido está em conformidade com o exemplo que foi examinado.

---

# CUPRINS

---

Introducere.....	222	Întreținerea.....	229
Siguranță.....	223	Date tehnice.....	230
Asamblarea.....	226	Accesorii.....	231
Funcționarea.....	227	Conținutul declarației de conformitate CE.....	232

---

## Introducere

---

### Manualul operatorului

Limba originală a acestui manual al operatorului este engleză. Manualele operatorului în alte limbi reprezintă traduceri din limba engleză.

(Fig. 1)

1. Curea pentru umăr (125BVX)
2. Butonul de admisie
3. Butonul de OPRIRE
4. Schimbarea vitezelor
5. Carcasă ventilator
6. Bușon rezervor de combustibil
7. Filtru de aer
8. Șocul
9. Pompă de amorsare
10. Capacul de la orificiul de admisie
11. Mâner aspirare (125BX și 125BVX)
12. Cuțite (125BX și 125BVX)
13. Elicea ventilatorului
14. Ajutajul standard
15. Duză pentru viteză mare (125BX și 125BVX)
16. Tubul de refluxare
17. Șurubul clemei tubului
18. Piulițele clemei tubului
19. Eșapamentul
20. Firul de împământare
21. Mânerul pentru șnurul de pornire
22. Dispozitivul de pornire
23. Șuruburile de reglare ale carburatorului
24. Manualul operatorului
25. Dispozitiv de aspirare cu componente de colectare care constau din elementele 26-30 de mai jos
26. Tub pentru sac colector
27. Sac colector
28. Tubul aspiratorului format din două secțiuni
29. Șurub
30. Curea pentru umăr

### Simbolurile de pe produs

(Fig. 2) Avertisment

(Fig. 3) Citiți acest manual

### Prezentare generală

- (Fig. 4) Utilizați un sistem omologat de protecție a auzului
- (Fig. 4) Utilizați ochelari de protecție omologați
- (Fig. 4) Utilizați mască de praf omologată
- (Fig. 5) Utilizați mănuși de protecție omologate
- (Fig. 6) Produsul poate determina proiectarea de obiecte, ceea ce poate conduce la leziuni oculare
- (Fig. 7) Distanță sigură
- (Fig. 8) Nu vă apropiați de rotor în timpul funcționării
- (Fig. 9) Nu lăsați copiii să se apropie de produs
- (Fig. 10) Nivel de putere acustică
- (Fig. 11) Nivel de zgomot
- (Fig. 12) Asigurați-vă că părul lung este strâns deasupra umerilor
- (Fig. 13) Produsul este în conformitate cu directivele CE aplicabile
- (Fig. 14) Produsul este în conformitate cu directivele EAC aplicabile
- (Fig. 15) Produsul este în conformitate cu directivele aplicabile în Ucraina

**Nota:** Alte simboluri/autocolante de pe produs se referă la cerințele de certificare pentru alte zone comerciale.

---

### Emisiile de Euro V



**AVERTISMENT:** În urma modificării neautorizate a motorului, este anulată aprobarea de tip UE pentru acest produs.

---

## Răspunderea pentru produs

Conform prevederilor legislației privind răspunderea pentru produs, nu ne asumăm răspunderea pentru daunele cauzate de produsul nostru dacă:

- produsul este reparat necorespunzător;
- produsul este reparat cu piese care nu provin de la producător sau care nu sunt aprobate de acesta;
- produsul are un accesoriu care nu provine de la producător sau care nu este aprobat de acesta;
- produsul nu este reparat la un centru de service omologat sau de o autoritate omologată;

---

## Siguranță

---

### Definiții privind siguranța

Definițiile de mai jos indică nivelul de gravitate pentru fiecare cuvânt de semnalizare.



**AVERTISMENT:** Vătămări corporale.



**ATENȚIE:** Deteriorarea produsului.

**Nota:** Aceste informații facilitează utilizarea produsului.

### Instrucțiuni generale de siguranță



**AVERTISMENT:** Înainte de a utiliza produsul, citiți instrucțiunile de avertizare de mai jos.

- Utilizați produsul în mod corespunzător. Vătămrile corporale sau decesul constituie un posibil rezultat al utilizării incorecte. Utilizați produsul numai pentru operațiile din acest manual. Nu utilizați produsul pentru alte sarcini.
- Respectați instrucțiunile din acest manual. Respectați simbolurile de siguranță și instrucțiunile de siguranță. Dacă operatorul nu respectă instrucțiunile și simbolurile, pot apărea vătămări corporale, daune materiale sau decese.
- Nu aruncați acest manual. Utilizați instrucțiunile pentru a asambla, a opera și a păstra produsul în stare bună. Utilizați instrucțiunile pentru instalarea corectă a accesoriilor. Utilizați numai accesorii aprobate.
- Nu utilizați un produs deteriorat. Respectați programul de întreținere. Efectuați numai operațiile de întreținere pentru care există instrucțiuni în acest manual. Un centru de service omologat trebuie să execute toate celelalte operații de întreținere.
- Acest manual nu poate include toate situațiile care pot apărea atunci când utilizați produsul. Procedați cu atenție și folosiți-vă simțul practic. Nu operați produsul și nu efectuați operații de întreținere la acesta dacă nu sunteți sigur cu privire la situație. Discutați cu un expert de produs, cu distribuitorul, cu agentul de service sau cu centrul de service omologat pentru informații.
- Deconectați cablul bujiei înainte de a asambla produsul, de a depozita produsul sau de a efectua operații de întreținere.
- Nu utilizați produsul dacă specificația sa inițială se modifică. Nu modificați o componentă a produsului fără aprobarea producătorului. Utilizați numai piese aprobate de producător. Vătămrile corporale sau decesul constituie un posibil rezultat al întreținerii incorecte.
- Nu respirați în atmosfera cu vapori emiși de motor. Inhalarea pe termen lung a gazelor de eșapament ale motorului constituie un risc pentru sănătate.
- Nu porniți produsul în interior sau în apropierea unor materiale inflamabile. Gazele de eșapament sunt fierbinți și pot conține scântei care pot declanșa incendii. Un flux de aer insuficient poate cauza vătămare corporală sau deces din cauza asfrierii sau a monoxidului de carbon.
- Când utilizați acest produs motorul generează un câmp electromagnetic. Câmpul electromagnetic poate cauza deteriorarea implanturilor medicale. Discutați cu medicul dvs. și cu producătorul implantului medical înainte de a opera produsul.
- Nu permiteți copiilor să utilizeze produsul. Nu permiteți niciunei persoane care nu cunoaște instrucțiunile să utilizeze produsul.
- Asigurați-vă că monitorizați permanent o persoană cu capacități fizice sau mentale reduse care utilizează produsul. Un adult responsabil trebuie să fie prezent în permanență.
- Încuiați produsul într-o zonă inaccesibilă copiilor și persoanelor neaprobate.
- Produsul poate proiecta obiecte și poate cauza vătămări corporale. Respectați instrucțiunile de siguranță, pentru a reduce pericolul de vătămări corporale sau de deces.
- Nu vă îndepărtați de produs atunci când motorul este pornit.
- În caz de accident, operatorul produsului este responsabil pentru acesta.
- Înainte de a utiliza produsul, asigurați-vă că piesele nu sunt deteriorate.
- Asigurați-vă că vă aflați la minimum 15 m (50 ft) distanță de alte persoane sau animale înainte de a utiliza produsul. Asigurați-vă că persoanele din apropiere știu că urmează să utilizați produsul.
- Consultați legislația națională sau locală. Aceasta poate interzice sau poate limita utilizarea produsului în unele situații.

- Nu utilizați produsul atunci când sunteți obosit sau dacă vă aflați sub influența alcoolului, drogurilor sau medicamentelor. Acestea vă pot influența negativ vederea, vigilența, coordonarea mișcărilor sau discernământul.

## Siguranță vibrație

Acest produs este destinat doar pentru utilizare ocazională. Utilizarea continuă sau regulată a produsului poate cauza simptomul de „degete albe” sau alte probleme de natură medicală din cauza vibrațiilor. Examinați starea mâinilor și degetelor dacă utilizați produsul în mod continuu sau regulat. Dacă mâinile sau degetele s-au decolorat, vă dor, simțiți furnicături sau sunt amorțite, încetați lucrul și contactați imediat un medic.

## Instrucțiuni de siguranță pentru operarea suflantei

- Operați produsul numai pentru suflarea sau îndepărtarea frunzelor sau altor resturi de pe sol.
- Nu operați niciodată produsul atunci când sunteți obosit, bolnav sau dacă ați consumat alcool, droguri sau ați luat medicamente.
- Nu permiteți persoanelor sau animalelor din jur să se apropie la mai puțin de 15 m (50 ft) de operator.
- Produsul poate arunca obiecte cu viteză mare, care pot ricoșa și pot lovi operatorul. Acest lucru poate cauza rănirea ochilor.
- Nu îndreptați duza suflantei în direcția persoanelor sau a animalelor.
- Asigurați-vă că părul lung este strâns deasupra umerilor.
- Oprii motorul înainte de a monta sau demonta accesoriile sau alte componente.
- Nu operați produsul fără apărătoare.
- Nu utilizați produsul dacă se află persoane în zona de lucru. Oprii produsul dacă o persoană intră în zona de lucru.
- Nu operați produsul într-un spațiu fără un flux de aer suficient. Un flux de aer insuficient poate cauza vătămare corporală sau deces din cauza asfrierii sau a monoxidului de carbon.
- Amortizorul de zgomot este foarte fierbinte în timpul funcționării produsului, după ce se oprește și când funcționează la turație de mers în gol. Aveți grijă lângă materiale inflamabile și vapori inflamabili.
- Nu atingeți capacul de la orificiul de admisie. Păstrați bijuteriile și îmbrăcămintea lejeră departe de zona de admisie.
- Păstrați-vă întotdeauna echilibrul și operați produsul numai pe suprafețe sigure și plane. Suprafețele alunecoase sau instabile, precum scările, pot cauza pierderea echilibrului sau a controlului.
- Nu operați produsul în zone înalte, ca de exemplu pe acoperișuri.
- Asigurați produsul în timpul transportului.

- Operați produsul numai la orele recomandate. Respectați regulile locale. De obicei orarul recomandat este de la 9:00 a.m. la 5:00 p.m., de luni până sâmbătă.
- Operați produsul la cel mai redus nivel de accelerație posibil pentru lucru.
- Asigurați-vă că nu puteți cădea în timp ce utilizați produsul. Nu înclinați produsul în timp ce-l utilizați.
- Asigurați-vă că produsul este în stare bună înainte de a-l opera, în special amortizorul de zgomot, priza de aer și filtrul de aer.
- Utilizați o greblă sau o mătură pentru desprinde resturile de pământ înainte de a opera produsul.
- Dacă zona de lucru este murdară, spălați-o cu un furtun.
- Utilizați produsul ca alternativă la furtun pentru a economisi apa.
- Dirijați resturile suflate în siguranță. Aveți grijă la copiii, animale, ferestre deschise sau vehicule.
- Nu îndreptați produsul spre plante care pot fi afectate ușor.
- Nu suflați aerul în direcția obiectelor precum pereți, pietre mari, vehicule și garduri.
- Dacă lucrați în colțuri interioare, suflați dinspre colț către centrul zonei de lucru. În caz contrar, resturile vă pot lovi în față și pot cauza vătămări oculare.
- Utilizați extensia completă a duzei pentru a menține jetul de aer la nivelul solului.
- Persoanele din apropiere trebuie să poarte protecție oculară.
- Aruncați resturile într-un tomleron după utilizarea produsului.

## Instrucțiuni de siguranță pentru operarea aspiratorului

- Împiedicați deteriorarea ventilatorului. Nu aspirați obiecte mari și solide precum lemn, cutii de conserve, resturi de cauciuc sau bucăți lungi de sfoară.
- Nu permiteți ca tubul aspiratorului să atingă solul.
- Oprii motorul și deconectați pipa bujei înainte de a îndepărta un blocaj sau material înfundat.

## Echipamentul individual de protecție

- Utilizați întotdeauna echipamentul individual de protecție atunci când operați produsul. Echipamentul individual de protecție nu elimină pericolul de vătămări corporale. Echipamentul individual de protecție reduce gravitatea vătămării corporale în cazul producerii unui accident.
- În timp ce operați produsul, utilizați întotdeauna ochelari de protecție omologați.
- Nu operați produsul desculț sau cu pantofi decupați. Utilizați întotdeauna ghete pentru regim greu de lucru, rezistente la alunecare.
- Utilizați pantaloni lungi, groși.



- Dacă este necesar, utilizați mănuși de protecție omologate.
- Utilizați o cască dacă există riscul de a vă cădea obiecte în cap.
- În timp ce operați produsul, utilizați întotdeauna protecții pentru ureche omologate. Zgomotul prelungit poate cauza pierderea auzului indusă de zgomot.
- Utilizați întotdeauna o mască împotriva prafului omologată în timp ce operați produsul în medii cu praf.
- Asigurați-vă că aveți în apropiere o trusă de prim-ajutor.

## Dispozitive de protecție la produs

- Asigurați-vă că efectuați cu regularitate întreținerea produsului.
  - Durata de viață a produsului crește.
  - Riscul de accidente scade.

Permiteți unui distribuitor omologat sau unui centru de service omologat să examineze cu regularitate produsul, pentru a efectua reglaje sau reparații.

- Nu utilizați un produs cu echipamentul de protecție deteriorat. Dacă produsul este deteriorat, luați legătura cu un centru de service omologat.

## Buton oprire

Porniți motorul. Asigurați-vă că motorul se oprește atunci când deplasați comutatorul de oprire în poziția de oprire. (Fig. 16)

## Amortizor de zgomot



**AVERTISMENT:** Nu atingeți amortizorul de zgomot dacă este fierbinte. Amortizorul de zgomot este foarte fierbinte în timpul funcționării motorului și după ce se oprește. Dacă atingeți amortizorul de zgomot, acesta poate cauza arsuri.

- Nu utilizați un motor cu un amortizor de zgomot deteriorat. Un amortizor de zgomot deteriorat determină creșterea nivelului de zgomot și a pericolului de incendiu. Păstrați un stingător de incendiu în apropiere.
- Verificați cu regularitate ca amortizorul de zgomot să fie atașat la produs.
- Nu atingeți motorul sau amortizorul de zgomot în timp ce motorul este pornit. Nu atingeți motorul sau amortizorul de zgomot pentru o perioadă după oprirea motorului. Zonele fierbinți pot provoca vătămări corporale.
- Un amortizor de zgomot fierbinte poate cauza incendii. Fiți atent dacă utilizați produsul în apropierea lichidelor inflamabile sau a vaporilor.
- Nu atingeți componente ale amortizorului de zgomot dacă acesta este deteriorat. Componentele pot conține materiale carcinogenice.

- Anumite modele de suflante sunt echipate cu un ecran parascântei. Curățați și înlocuiți ecranul la intervalele specificate. Consultați secțiunea *Întreținere (Întreținerea la pagina 229)*.

(Fig. 17)

## Reguli de siguranță referitoare la carburant

- Nu porniți produsul dacă pe acesta se află carburant sau ulei pentru motor. Îndepărtați carburantul/uleiul nedorit și lăsați produsul să se usuce. Îndepărtați carburantul nedorit din produs.
- Dacă vărsați carburantul pe îmbrăcăminte, schimbați imediat hainele.
- Nu vărsați carburantul pe corp - poate provoca vătămări corporale. Dacă vărsați carburant pe corp, utilizați apă și săpun pentru a elimina carburantul.
- Nu porniți motorul dacă vărsați ulei sau carburant pe produs sau pe corp.
- Nu porniți produsul dacă motorul prezintă scurgeri. Examinați cu regularitate motorul, pentru a identifica eventuale scurgeri.
- Manipulați cu atenție carburantul. Carburantul este inflamabil, vaporii sunt explozivi și pot cauza vătămări corporale sau deces.
- Nu respirați vaporii de carburant, se pot produce vătămări corporale. Asigurați-vă că fluxul de aer este suficient.
- Nu fumați în apropierea carburantului sau a motorului.
- Nu amplasați obiecte calde în apropierea carburantului sau a motorului.
- Nu adăugați carburant atunci când motorul este pornit.
- Asigurați-vă că motorul este rece înainte de a realimenta.
- Înainte de a realimenta, deschideți lent capacul rezervorului de carburant și eliberați cu atenție presiunea.
- Nu adăugați carburant la motor într-o zonă interioară. Un flux de aer insuficient poate cauza vătămare corporală sau deces din cauza asfrierii sau a monoxidului de carbon.
- Strângeți cu atenție capacul rezervorului de carburant; în caz contrar, se pot produce incendii.
- Înainte de pornire, mutați produsul la o distanță de minimum 3 m (10 ft) față de poziția unde ați umplut rezervorul.
- Nu introduceți prea mult carburant în rezervorul de carburant.
- Asigurați-vă că nu se pot produce scurgeri atunci când mutați produsul sau rezervorul de carburant.
- Nu poziționați produsul sau rezervorul de carburant în apropierea unei flăcări deschise, a scânteilor sau a unei lumini pilot. Asigurați-vă că în zona de depozitare nu se află flăcări deschise.

- Utilizați numai recipiente omologate atunci când mutați carburantul sau îl introduceți în spațiul de depozitare.
- Goliți rezervorul de carburant înainte de a-l depozita pe termen lung. Respectați legislația locală cu privire la locația de eliminare a carburantului.
- Curățați produsul înainte de depozitarea pe termen lung.
- Îndepărtați cablul bujiei înainte de a introduce produsul în spațiul de depozitare, pentru a vă asigura că motorul nu pornește accidental.

## Instrucțiuni de siguranță pentru întreținere



**AVERTISMENT:** Întreținerea incorectă poate duce la deteriorarea gravă a motorului sau la răniiri grave.

Proprietarul este responsabil de efectuarea tuturor operațiilor de întreținere necesare, așa cum se arată în manualul de utilizare. Deconectați bujia, înainte de a efectua operațiuni de întreținere. Nu deconectați bujia înainte de efectuarea reglajelor la carburator.

## Asamblarea



**AVERTISMENT:** Citiți capitolul de siguranță înainte de asamblarea produsului.

### Montarea tubului și a duzei pe produs

**Nota:** Bolțul trebuie să fie suficient de slăbit pentru a pune tubul în orificiul de evacuare al suflantei. Rotiți bolțul în sens anti-orar cu o șurubelniță pentru a-l slăbi.

1. Aliniați umărul de pe tubul superior al suflantei cu canelura de pe orificiul de evacuare al suflantei. Deplasați tubul în poziție.
2. Rotiți bolțul în sens orar cu o șurubelniță pentru a atașa tubul.

**Nota:** Nu utilizați scule pe piuliță.

3. Aliniați fantele de pe tubul inferior cu clapetele de pe tubul superior. Deplasați tubul inferior peste tubul superior al suflantei.
4. Rotiți tubul inferior în sensul acelor de ceasornic până se aude un zgomot de clic.

### Montarea diferitelor tuburi de aspirare pe sacul de colectare



**AVERTISMENT:** Opriți motorul înainte de a atașa tuburile la produs.

#### Asamblarea sacului de colectare

1. Deschideți sacul de colectare.
2. Introduceți tubul sacului de colectare din interiorul sacului, pentru a intra în deschiderea orificiului de admisie al aspiratorului.
3. Asigurați-vă că elasticul este așezat în canelură (A).
4. Închideți fermoarul sacului. (Fig. 18)

#### Montarea tubului sacului de colectare

1. Îndepărtați tubul de suflare, dacă este fixat.

2. Aliniați marginea de pe tubul sacului de colectare (A) cu canelura de pe orificiul de evacuare al suflantei (B).
3. Împingeți complet tubul sacului de colectare în orificiul de evacuare al suflantei.
4. Introduceți piulița (C) în orificiul său.
5. Montați șurubul (D) și strângeți cu o șurubelniță pentru a atașa tubul. (Fig. 19)

#### Conectarea tuburilor de aspirare

1. Aliniați săgeata de pe tubul inferior de aspirare (A) cu săgeata de pe tubul superior de aspirare (B).
2. Introduceți tubul inferior de aspirare în tubul superior de aspirare.
3. Folosiți o șurubelniță pentru a instala șurubul autofiletant (C) care fixează tuburile. (Fig. 20)

#### Instalarea tuburilor de aspirare

1. Introduceți vârful unei șurubelnițe în zona dispozitivului de blocare de pe orificiul de admisie al aspiratorului.
2. Rotiți șurubelnița pentru a elibera dispozitivul de blocare. (Fig. 21)
3. Țineți deschis capacul orificiului de admisie al aspiratorului până când instalați tubul superior al aspiratorului.
4. Aliniați marginile din interiorul orificiului de admisie al aspiratorului cu fantele de pe tubul superior de aspirare. Asigurați-vă că simbolul de blocare de pe tub este aliniat cu simbolul de deblocare de pe orificiul de admisie al aspiratorului. (Fig. 22)
5. Împingeți complet tubul superior de aspirare în orificiul de admisie al aspiratorului.
6. Rotiți tubul superior de aspirare în sensul acelor de ceasornic până când simbolul de blocare de pe tub se aliniază cu simbolul de blocare de pe orificiul de admisie al aspiratorului. Se aude un clic atunci când tubul este atașat corect. (Fig. 23)

# Funcționarea



**AVERTISMENT:** Citiți și înțelegeți capitolul referitor la siguranță înainte de utilizarea produsului.

## Carburant

### Pentru utilizarea carburantului



**ATENȚIE:** Acest produs este prevăzut cu motor în doi timpi. Utilizați un amestec de benzină și de ulei pentru motor în doi timpi. Asigurați-vă că utilizați cantitatea corectă de ulei în amestec. Un raport incorect între benzină și ulei poate cauza deteriorarea motorului.

### Benzină



**ATENȚIE:** Nu utilizați benzină cu o cifră octanică mai mică de 90 RON (87 AKI). Aceasta poate deteriora produsul.



**ATENȚIE:** Nu utilizați benzină cu o concentrație de etanol de peste 10% (E10). Aceasta poate deteriora produsul.



**ATENȚIE:** Nu utilizați benzină cu plumb. Aceasta poate deteriora produsul.

- Utilizați întotdeauna benzină fără plumb, cu o cifră octanică minimă de 90 RON (87 AKI) și cu o concentrație de etanol sub 10% (E10).
- Utilizați benzină cu o cifră octanică mai mare dacă utilizați frecvent produsul în mod continuu, la o turatie de motor ridicată.
- Utilizați întotdeauna un amestec de benzină fără plumb/ulei de bună calitate.

### Ulei pentru motor în doi timpi

- Utilizați numai ulei de calitate pentru motor în doi timpi. Utilizați numai ulei pentru motor răcit cu aer.
- Nu utilizați alte tipuri de ulei.
- Raport de amestec 50:1 (2%)

Benzină	Ulei
1 galon S.U.A.	77 ml (2,6 oz)
1 galon Marea Britanie	95 ml (3,2 oz)
5 l	100 ml (3,4 oz)

### Pentru realizarea amestecului

**Nota:** Când amestecați combustibilului, utilizați întotdeauna un rezervor de carburant curat.

**Nota:** Nu realizați o cantitate de amestec pentru mai mult de 30 de zile.

1. Adăugați jumătate din cantitate de benzină.
2. Adăugați cantitatea completă de ulei.
3. Agitați amestecul, pentru amestecarea conținutului.
4. Adăugați cantitatea de benzină rămasă.
5. Agitați amestecul, pentru amestecarea conținutului.
6. Umpleți rezervorul de carburant.

### Pentru adăugarea de carburant

- Utilizați întotdeauna un rezervor de carburant cu supapă antivărsare.
- Dacă a rămas combustibil în recipient, îndepărtați carburantul nedorit și lăsați recipientul să se usuce.
- Asigurați-vă că zona din apropierea capacului rezervorului de carburant este curată.
- Scuturați rezervorul de carburant înainte de a adăuga amestecul în acesta.

### Pentru pornire și oprire

#### Înainte de pornirea motorului

- Examinați produsul pentru a identifica eventuale piese lipsă, deteriorate, slăbite sau uzate.
- Verificați sacul de colectare. Asigurați-vă că sacul colector nu este deteriorat și fermoarul este închis.
- Examinați piulițele, șuruburile și bolțurile.
- Examinați filtrul de aer.
- Verificați dacă pârghia de accelerație funcționează corespunzător.
- Verificați dacă comutatorul de oprire funcționează corespunzător.
- Examinați produsul pentru scurgeri de carburant.

#### Pornirea unui motor rece



**AVERTISMENT:** Nu înfășurați șnurul de pornire în jurul mâinii.



**ATENȚIE:** Nu țineți produsul cu piciorul.



**ATENȚIE:** Nu trageți de șnurul de pornire până la poziția de capăt. Nu eliberați mânerul șnurului de pornire când acesta este extins. Acest lucru poate deteriora produsul.

**Nota:** Dacă motorul se oprește, deplasați comanda șocului în poziția închis și repetați pașii de pornire.

1. Umpleți rezervorul de carburant cu un amestec curat de carburant.
2. Împingeți butonul de amorsare de 10 ori. (Fig. 24)
3. Deplasați acționarea șocului motorului în poziția ȘOC TRAS COMPLET (închis). (Fig. 25)
4. Apăsați controlul variabil al vitezei până la capăt, în sens contrar acelor de ceasornic. (Fig. 26)
5. Utilizați mâna stângă pentru a ține carcasa mașinii pe sol.
6. Trageți de mânerul pentru șnurul de pornire până la când motorul pornește. Nu trageți de mâner de mai mult de 3 ori.
7. Deplasați maneta de acționare a șocului în poziția 1/2 și trageți de mânerul de pornire până la pornirea și funcționarea motorului. (Fig. 27)
8. Lăsați motorul să funcționeze timp de aproximativ 10 secunde.
9. Împingeți și țineți pârghia de accelerație pe toată durata etapelor rămase.
10. Împingeți maneta de acționare a șocului în poziția ȘOC DEZACTIVAT (deschis). (Fig. 28)
11. Încălziți motorul timp de 1 minut.

### Pentru pornirea unui motor cald

1. Apăsați și țineți apăsat pe pârghia de accelerație.
2. Împingeți maneta de acționare a șocului la poziția 1/2.
3. Trageți de mânerul de pornire rapid în timp ce trageți de pârghia de accelerație până când motorul începe să funcționeze.
4. Împingeți maneta de acționare a șocului în poziția ȘOC DEZACTIVAT (deschis).

### Pentru a opri motorul

- Apăsați și eliberați butonul STOP al motorului. Butonul va reveni automat în poziția ON. Așteptați 7 secunde înainte de a-l reporni pentru a vă asigura că comutatorul se resetează.

### Utilizarea unei duze

- Utilizați o duză standard când este nevoie de precizie și o concentrație mare de flux de aer. (Fig. 29)

- Utilizați duza de mare viteză când aveți nevoie de un flux de aer mai larg și o viteză mare. (Fig. 30)

### Reglarea duzei suflantei

1. Răsuciți duza spre stânga pentru a debloca îmbinarea de tip baionetă.
2. Deplasați duza în poziția necesară.
3. Răsuciți duza spre stânga până când simțiți un clic.

### Aspirarea

Înainte de a începe aspirarea, puneți-vă echipamentul de protecție necesar.



**AVERTISMENT:** Asigurați-vă că sacul colector nu este deteriorat și fermoarul este închis înainte de utilizare. Nu utilizați un sac deteriorat. Acesta previne rănirile în cazul resturilor propulsate. Operarea cu mâna stângă crește riscul. Nu atingeți zona de evacuare cu corpul.



**AVERTISMENT:** Nu porniți suflanta dacă capacul de la orificiul de admisie este deschis sau deteriorat (cu excepția situației în care tubul de aspirare este montat).

- Când utilizați suflanta, sacul colector trebuie să fie susținut de curea pentru umăr. Hamul trebuie purtat deasupra umărului.
- Porniți suflanta. Respectați instrucțiunile din capitolul privind pornirea și oprirea *Pentru pornire și oprire la pagina 227*. Citiți instrucțiunile de siguranță *Siguranță la pagina 223*.

### Golirea sacului colector



**AVERTISMENT:** Verificați întotdeauna sacul colector. Asigurați-vă că nu este deteriorat și fermoarul este închis înainte de utilizare. Nu utilizați un sac deteriorat. Există pericol de vătămări corporale din cauza resturilor propulsate. Aveți grijă, mai ales în cazul operării cu mâna stângă. Nu atingeți zona eșapamentului.

1. Opriți produsul.
2. Deschideți fermoarul sacului.
3. Goliți sacul colector.
4. Închideți fermoarul.



**AVERTISMENT:** Citiți și înțelegeți capitolul privind siguranța înainte de a efectua operații de curățare, reparație sau întreținere asupra produsului.

## Planificarea întreținerii

Respectați programul de întreținere. Intervalele sunt calculate considerând o utilizare zilnică a produsului. Intervalele sunt diferite dacă nu utilizați zilnic produsul. Efectuați numai operațiile de întreținere care se regăsesc în acest manual. Discutați cu un centru de service omologat cu privire la operații de întreținere care nu sunt menționate în acest manual.

### Întreținerea zilnică

- Curățați suprafețele exterioare.
- Verificați funcționarea controlului vitezei și a pârghiei de accelerație. Înlocuiți componentele deteriorate.
- Examinați butonul de oprire. Dacă este necesar, înlocuiți-l.
- Verificați turația de mers în gol.
- Curățați filtrul de aer. Dacă este necesar, înlocuiți-l.
- Asigurați-vă că capacul de la orificiul de admisie poate fi blocat în poziția închis. Asigurați-vă că rotorul este curat.
- Strângeți toate șuruburile și toate piulițele.
- Asigurați-vă ca nici o carcasă să nu aibă crăpături.
- Asigurați-vă că sacul colector nu este deteriorat și fermoarul funcționează. Înlocuiți sacul dacă este necesar.

### Întreținerea săptămânală

- Verificați starea de funcționare a dispozitivului de pornire, șnurul de pornire și arcul de tensionare. Înlocuiți toate componentele deteriorate.
- Verificați starea prizei de aer a dispozitivului de pornire. Îndepărtați resturile dacă priza de aer este înfundată.
- Curățați exteriorul bujiei. Îndepărtați-o și verificați distanța dintre electrozi. Reglați distanța la 6 mm (0,024 in) sau înlocuiți bujia.
- Curățați lamele rotorului.
- Curățați ecranul de stingere a scânteilor și înlocuiți-l dacă este necesar (nu în cazul amortizoarelor de zgomot cu convertor catalitic).
- Curățați zona carburatorului.
- Curățați filtrul de aer.

### Întreținerea lunară

- Verificați mânerul șnurului de pornire și șnurul propriu-zis.
- Curățați rezervorul de combustibil.
- Curățați carburatorul și zona din jurul acestuia.
- Curățați lamele rotorului.

- Verificați dacă conductele pentru combustibil sunt crăpate sau au alte defecțiuni. Schimbați-l, dacă e nevoie
- Schimbați filtrul pentru combustibil din rezervorul de combustibil.
- Examinați toate cablurile și conexiunile.
- Înlocuiți bujia.
- Schimbați filtrul de aer.

### Întreținerea anuală

- Verificați bujia.
- Curățați suprafețele exterioare ale carburatorului și zonele adiacente ale acestuia.
- Curățați sistemul de răcire.
- Verificați ecranul extingtorului de scânteie.
- Examinați filtrul de carburant.
- Verificați integritatea furtunului de carburant.
- Examinați toate cablurile și conexiunile.

### Întreținerea la 50 de ore

- Solicitați unui centru de service omologat repararea sau înlocuirea amortizorului de zgomot.

## Reglarea turației de mers în gol

- Asigurați-vă că filtrul de aer este curat și că s-a executat montarea capacului filtrului de aer, înainte de a regla turația de mers în gol.
- Reglați turația de mers în gol cu șurubul de reglare T, care este identificat cu marcajul „T”.
- Turația de mers în gol este corectă când motorul funcționează uniform în toate pozițiile.

(Fig. 31)

1. Rotiți șurubul de reglare în sensul acelor de ceasornic pentru viteză mai mare.
2. Rotiți șurubul de reglare în sensul contrar acelor de ceasornic pentru viteză mai mică.

## Pentru a efectua operații de întreținere la ecranul extingtorului de scânteie

Utilizați o perie de sârmă, pentru a curăța ecranul extingtorului de scânteie.

## Curățarea sistemului de răcire

(Fig. 32)

Curățați componentele sistemului de răcire cu o perie.

## Pentru a verifica bujia



**ATENȚIE:** Folosiți întotdeauna tipul recomandat de bujie. Tipul incorect de bujie poate defecta produsul.

- Verificați bujia dacă motorul nu are putere, nu pornește ușor sau nu funcționează corect la turație de mers în gol.
- Pentru a reduce riscul prezenței materialelor nedorite la electrozii bujiei, respectați aceste instrucțiuni:
  - a) Asigurați-vă că turația de mers în gol este corect reglată.
  - b) Asigurați-vă că amestecul este corect.
  - c) Asigurați-vă că filtrul de aer este curat.
- Dacă bujia este murdară, curățați-o și asigurați-vă că distanța dintre electrozi este corectă, consultați *Date tehnice la pagina 230*. (Fig. 33)
- Înlocuiți bujia atunci când este necesar.

## Pentru a curăța filtrul de aer

1. Îndepărtați capacul filtrului de aer și scoateți filtrul de aer. (Fig. 34)
2. Curățați filtrul de aer, folosind apă caldă cu săpun. Asigurați-vă că filtrul de aer este uscat, înainte de a-l instala.
3. Înlocuiți filtrul de aer dacă este prea murdar pentru a fi curățat în totalitate. Înlocuiți întotdeauna un filtru de aer deteriorat.
4. Dacă produsul dvs. dispune de un filtru de aer cu spumă, aplicați ulei pentru filtre de aer. Aplicați ulei pentru filtre de aer numai la un filtru cu spumă. Nu aplicați ulei pe un filtru din păslă.

## Pentru a efectua întreținerea filtrului de aer

### Date tehnice

	unitate	125B (125B28HV)	125BX (125B28HV)	125BVX (125B28HV)
<b>Specificații motor</b>				
Cilindree	cm <sup>3</sup>	28	28	28
Apărătoare electrod	mm	0,6	0,6	0,6
Volum rezervor de carburant	cm <sup>3</sup>	500	500	500
Turație de mers în gol	min <sup>-1</sup>	2800 - 3200	2800 - 3200	2800 - 3200
Turație de ieșire maximă	min <sup>-1</sup>	8000	8000	8000
Randament de putere	kW	0,8	0,8	0,8
Bujia		Champion RCJ-6Y	Champion RCJ-6Y	Champion RCJ-6Y
Turație maximă în mod suflantă	min <sup>-1</sup>	8600	8600	8600
Turație maximă în mod aspirare	min <sup>-1</sup>	--	7500	7500
Perioada de rezistență a emisiilor	ore	125	125	125
<b>Date privind zgomotul și vibrațiile</b>				
Nivel echivalent de vibrații la mânăre cu tuburi de suflare și duză (originale) - consultați nota 1	m/s <sup>2</sup>	11,03	11,03	11,03
Nivel echivalent de vibrații la mânăre cu tuburi de aspirare (originale), stânga/dreapta - consultați nota 1	m/s <sup>2</sup>	--/--	12,16/12,29	12,16/12,29
Nivel echivalent de presiune acustică la urechea utilizatorului măsurat conform ISO 22868, echipat cu tuburi și duză (originale) - consultați nota 3	dB(A)	96	96	96
Presiune acustică la urechile persoanelor din jur, măsurată conform ANSI B175.2, echipat cu tuburi de suflare și duză (originale)	dB(A)	71	71	71

Nivel de putere acustică măsurat - consultați nota 2	dB(A)	109	109	109
Nivel de putere acustică garantat ( $L_{WA}$ ) - consultați nota 2	dB(A)	112	112	112
<b>Dimensiuni produse</b>				
Greutatea (fără carburant, cu tubul de suflare și duza standard montate)	kg	4.3	4.4	4.4
<b>Nota 1:</b> Datele raportate pentru nivelul echivalent de vibrații includ o dispersie statistică tipică (abatere standard) de 1 m/s <sup>2</sup> .				
<b>Nota 2:</b> Emisiile de zgomot în mediu măsurate ca putere acustică ( $L_{WA}$ ) în conformitate cu directiva CE 2000/14/CE. Nivelul de putere a sunetului raportat pentru aparat a fost măsurat cu accesoriul original care emite cel mai ridicat nivel. Diferența dintre puterea garantată a sunetului și cea măsurată este aceea că puterea garantată a sunetului include, de asemenea, dispersia în rezultatul de măsurare și variațiile dintre diferitele aparate ale aceluiași model conform Directivei 2000/14/CE.				
<b>Nota 3:</b> Datele raportate pentru nivelul echivalent de presiune a sunetului pentru dispozitiv includ o dispersie statistică tipică (deviere standard) de 1 dB (A).				

Ventilator	Unitate	125B	125BX	125BVX
Tip		Ventilator radial	Ventilator radial	Ventilator radial
Viteză maximă a aerului, duză standard	km/h	217	217	217
Viteză maximă a aerului, duză de mare viteză	km/h	273	273	273
Volum de aer în mod suflantă	cfm	425	425	425
Volum de aer în mod aspirator	cfm	--	445	445
*accesoriu opțional pentru unele modele				

## Accesorii

125B, 125BX, 125BVX	
<b>Accesorii aprobate</b>	<b>Tip</b>
Set de curățare canal	952 711 918
125BX, 125BX	
<b>Accesorii aprobate</b>	<b>Tip</b>
Set aspirare	952 711 913
125B	
<b>Accesorii aprobate</b>	<b>Tip</b>
Ajutaj pentru viteză mare	545 119 501

---

## Conținutul declarației de conformitate CE

---

Noi, Husqvarna AB, SE 561 82 Huskvarna, SWEDEN, declarăm pe propria răspundere, că produsul reprezentat:

<b>Descriere</b>	<b>Gasoline Blower/ Blower-Vacuum</b>
Marcă	Husqvarna
Platformă / Tip / Model	Platforma 125B28HV, reprezentând modelul 125B, 125BX, 125BVX
Lot	Serie cu data 2019 și în continuare

respectă în totalitate următoarele directive și reglementări UE:

<b>Directivă/Regulament</b>	<b>Descriere</b>
2006/42/EC	„privind utilajele”
2014/30/EC	„privind compatibilitatea electromagnetică”
2000/14/EC	„privind zgomotul exterior”
2011/65/EU	„restricționarea utilizării anumitor substanțe periculoase”

Standardele armonizate și/sau specificațiile tehnice aplicate sunt următoarele: EN ISO 12100, EN ISO 1186-1, CISPR 12, ISO 14982, EN 50581

În conformitate cu directiva 2000/14/EC, Anexa V, valorile sonore declarate sunt declarate în secțiunea Date tehnice a prezentului manual și în Declarația de conformitate CE semnată.

Intertek a efectuat o examinare voluntară în numele Husqvarna AB, eliberând un certificat de conformitate cu directiva 2006/42/EC privind utilajele.

Certificatul, furnizat în Declarația de conformitate CE semnată, se aplică pentru toate locațiile de fabricație și pentru toate țările de proveniență indicate pe produs.

Gasoline Blower/ Blower-Vacuum furnizată se conformează exemplului supus examinării.



---

## Содержание

---

Введение.....	233	Техническое обслуживание.....	241
Безопасность.....	234	Технические данные.....	242
Сборка.....	237	Принадлежности.....	244
Эксплуатация.....	238	Содержание декларации о соответствии ЕС.....	244

---

## Введение

---

### Руководство по эксплуатации

Исходный текст данного руководства по работе составлен на английском языке. Руководства по

(Рис. 1)

1. Наплечный ремень (125BVX)
2. Пусковое устройство дросселя
3. Выключатель
4. Регулирование скорости вращения
5. Корпус вентилятора
6. Крышка топливного бака
7. Воздушный фильтр
8. Подсос
9. Груша
10. Впускная крышка
11. Ручка пылесоса (125BVX и 125BVX)
12. Режущие звенья (125BVX и 125BVX)
13. Крыльчатка вентилятора
14. Стандартный наконечник
15. Высокоскоростная насадка (125BVX и 125BVX)
16. Трубка воздуходувки
17. Болт фиксации трубки
18. Гайки крепления хомута трубки
19. Глушитель
20. Провод заземления
21. Ручка стартера
22. Стартер
23. Винты для регулировки карбюратора
24. Руководство по эксплуатации
25. Всасывающее устройство с нижеприведенными компонентами для сбора 26-30
26. Трубка сборника
27. Сборник
28. Всасывающая трубка, состоящая из двух секций
29. Винт
30. Наплечный ремень

### Условные обозначения на изделии

(Рис. 2) Предупреждение

(Рис. 3) Прочтите данное руководство по эксплуатации

работе на других языках являются переводами с английского.

### Обзор

(Рис. 4) Используйте одобренные средства защиты органов слуха

(Рис. 4) Используйте одобренные средства защиты глаз

(Рис. 4) Используйте одобренную пылезащитную маску

(Рис. 5) Используйте одобренные защитные перчатки

(Рис. 6) Изделие может отбрасывать находящиеся на земле предметы, что может причинить вред глазам

(Рис. 7) Безопасная дистанция

(Рис. 8) Не подходите близко к крыльчатке, когда она вращается

(Рис. 9) Не позволяйте детям находиться рядом изделием

(Рис. 10) Уровень звуковой мощности

(Рис. 11) Уровень шума

(Рис. 12) Убедитесь, что длинные волосы убраны выше уровня плеч

(Рис. 13) Изделие соответствует действующим директивам ЕС

(Рис. 14) Изделие соответствует действующим директивам ЕАС

(Рис. 15) Изделие соответствует действующим директивам Украины

---

**Примечание:** Остальные символы/этикетки на изделии отвечают требованиям, предъявляемым к сертификации в других коммерческих зонах.

---

## Соответствие уровня токсичных выбросов стандарту Euro V



**ПРЕДУПРЕЖДЕНИЕ:** В случае вмешательства в работу двигателя данное изделие перестанет соответствовать нормативам ЕС.

## Ответственность изготовителя

В соответствии с законами об ответственности изготовителя мы не несем ответственности за

ущерб, вызванный эксплуатацией нашего изделия в результате:

- ненадлежащего ремонта изделия;
- использования для ремонта изделия неоригинальных деталей или деталей, не одобренных производителем;
- использования неоригинальных дополнительных принадлежностей или принадлежностей, не одобренных производителем;
- ремонта изделия в неавторизованном сервисном центре или неквалифицированным специалистом;

## Безопасность

### Инструкции по технике безопасности

Ниже приведены определения уровня опасности для каждого сигнального слова.



**ПРЕДУПРЕЖДЕНИЕ:** Травмирование человека.



**ВНИМАНИЕ:** Повреждение изделия.

**Примечание:** Эта информация поможет упростить эксплуатацию изделия.

### Общие инструкции по технике безопасности



**ПРЕДУПРЕЖДЕНИЕ:** В обязательном порядке прочитайте следующие инструкции по технике безопасности, прежде чем приступить к эксплуатации изделия.

- Пользуйтесь изделием правильно. Неправильное использование может привести к травме или смертельному исходу. Изделие предназначено только для выполнения работ, описанных в данном руководстве. Запрещается использовать изделие для других видов работ.
- Соблюдайте инструкции, изложенные в данном руководстве. Обращайте внимание на знаки безопасности и следуйте инструкциям по технике безопасности. Несоблюдение оператором инструкций и знаков может привести к травме, повреждению или смерти.
- Не выбрасывайте это руководство. Следуйте инструкциям по сборке, эксплуатации и уходу за изделием. Используйте эти инструкции для правильной установки насадок и дополнительных принадлежностей. Используйте только апробированные насадки и аксессуары.

- Не используйте поврежденное изделие. Соблюдайте график техобслуживания. Выполняйте самостоятельно только те работы по техобслуживанию, которые описаны в данном руководстве. Все другие работы по техобслуживанию должны выполняться авторизованным сервисным центром.
- В данное руководство невозможно включить все ситуации, которые могут возникнуть при использовании изделия. Будьте осторожны и руководствуйтесь здравым смыслом. Если вы не уверены в ситуации, не используйте изделие и не выполняйте его техобслуживание. Для получения необходимой информации обратитесь к специалисту по продукции, дилеру, специалисту по обслуживанию или в авторизованный сервисный центр.
- Отсоединяйте кабель свечи зажигания перед сборкой изделия, помещением его на хранение или проведением техобслуживания.
- Запрещается использовать изделие, если были изменены его исходные технические характеристики. Запрещено вносить изменения в конструкцию изделия без одобрения производителя. Используйте только рекомендованные производителем запчасти. Неправильное техобслуживание может привести к травме или смертельному исходу.
- Не вдыхайте выхлопные газы двигателя. Продолжительное вдыхание выхлопных газов двигателя опасно для здоровья.
- Запрещается запускать изделие в помещении или рядом с легковоспламеняющимися материалами. Выхлопные газы имеют высокую температуру и могут содержать искры, которые в свою очередь могут привести к пожару. Недостаточная вентиляция может привести к травме или смерти в результате удушья или отравления угарным газом.
- Во время работы вокруг двигателя создается электромагнитное поле. Электромагнитное поле может привести к повреждению медицинских имплантатов. Проконсультируйтесь с врачом и

изготовителем имплантата перед использованием изделия.

- Не позволяйте детям использовать изделие. Не разрешайте пользоваться изделием людям, которые не знакомы с данными инструкциями.
- Не позволяйте людям с ограниченными физическими или умственными способностями пользоваться данным изделием без присмотра. Они должны постоянно находиться под присмотром взрослого.
- Запирайте изделие в месте, не доступном для детей и лиц, не допущенных к эксплуатации изделия.
- Во время работы изделие может отбрасывать находящиеся на земле предметы, что может привести к травме. Чтобы уменьшить риск получения серьезных или смертельных травм, соблюдайте инструкции по технике безопасности.
- Запрещается оставлять изделие с работающим двигателем без присмотра.
- При возникновении несчастного случая ответственность несет оператор изделия.
- Перед использованием изделия проверьте детали на отсутствие повреждений.
- Перед началом эксплуатации изделия убедитесь, что вы находитесь на расстоянии не менее 15 м (50 футов) от других людей или животных. Убедитесь, что находящиеся поблизости люди знают, что вы будете использовать изделие.
- Соблюдайте требования национальных или местных законов. В некоторых случаях они могут запрещать или ограничивать использование изделия.
- Ни в коем случае не используйте изделие, если вы устали или находитесь под воздействием спиртного, наркотических веществ или лекарственных препаратов. Они могут повлиять на ваше зрение, реакцию, координацию или оценку действительности.

## Техника безопасности в отношении вибрации

Данное изделие предназначено только для периодического использования. Непрерывная или регулярная эксплуатация изделия может привести к "синдрому белых пальцев" или аналогичным заболеваниям, вызванным воздействием вибрации. При продолжительном или регулярном использовании изделия периодически проверяйте состояние своих ладоней и пальцев. При обнаружении таких симптомов, как изменение цвета кожи, боль в ладонях или пальцах, покалывание или потеря чувствительности, немедленно прекратите работу и обратитесь за медицинской помощью.

## Инструкции по безопасной эксплуатации воздуходувки

- Используйте данную воздуходувку только для выдувания или удаления с земли листьев и прочего мусора.
- Ни в коем случае не используйте изделие, если вы устали, больны или находитесь под воздействием спиртного, наркотических веществ или лекарственных препаратов.
- Не позволяйте посторонним людям или животным находиться на расстоянии менее 15 м (50 футов) от оператора.
- Изделие может с большой скоростью отбрасывать предметы, которые могут рикошетом ударить по оператору. Это может привести к травме глаз.
- Нельзя направлять насадку воздуходувки в сторону людей или животных.
- Убедитесь, что длинные волосы убраны выше уровня плеч.
- Останавливайте двигатель перед установкой или снятием принадлежностей или других компонентов.
- Запрещается использовать изделие без защитного кожуха.
- Не пользуйтесь изделием, если в рабочей зоне находятся другие люди. Выключайте изделие при входе другого человека в рабочую зону.
- Не используйте изделие в плохо вентилируемых местах. Недостаточная вентиляция может привести к травме или смерти в результате удушья или отравления угарным газом.
- Во время работы изделия глушитель сильно нагревается. Он также остается горячим после остановки изделия и при работе двигателя на холостом ходу. Соблюдайте осторожность при работе вблизи легковоспламеняющихся материалов и воспламеняемых испарений.
- Не прикасайтесь к области крышки всасывающего отверстия. Держите ювелирные изделия и свободно висящую одежду вдали от области крышки всасывающего отверстия.
- Всегда сохраняйте устойчивое положение ног и работайте с изделием только на безопасных и ровных поверхностях. Скользкие или неустойчивые поверхности, такие как лестницы, могут вызвать потерю равновесия или контроля над изделием.
- Не используйте изделие на высоте, например, на крыше.
- Фиксируйте устройство на время транспортировки.
- Используйте изделие только в рекомендуемое время суток. Соблюдайте местное законодательство. Как правило, рекомендуется время с 9 утра до 5 вечера, с понедельника по субботу.

- Выполняйте работу воздуходувкой с минимальным возможным открытием дроссельной заслонки.
- Убедитесь в отсутствии риска падения во время использования изделия. Запрещается наклоняться во время эксплуатации изделия.
- Перед эксплуатацией убедитесь, что изделие находится в хорошем состоянии, особенно проверьте глушитель, воздухозаборник и воздушный фильтр.
- Перед использованием изделия с помощью граблей или метлы удалите мусор от почвы.
- Если рабочая зона загрязнена, распылите ее шлангом.
- Используйте изделие в качестве альтернативы шлангу для экономии воды.
- Обеспечивайте безопасность выдувания мусора. Следите, чтобы в рабочей зоне не было детей, домашних животных, открытых окон или автомобилей.
- Не направляйте изделие на легко повреждаемые растения.
- Не направляйте воздушную струю на такие объекты, как стены, большие камни, автомобили и ограды.
- При работе с внутренней стороны углов ведите расчистку из угла и в сторону центра рабочей зоны. В противном случае мусор может попасть в лицо оператору и стать причиной травмы глаз.
- Используйте всю длину насадки, чтобы воздушный поток находился у поверхности земли.
- Посторонние лица должны надевать защитные очки.
- После использования изделия утилизируйте мусор в мусоросборные контейнеры.

## Инструкции по безопасной эксплуатации пылесоса

- Не допускайте повреждения вентилятора. Запрещается собирать пылесосом твердые предметы, напр., куски дерева, консервные банки, обрывки резины или длинные куски стальной проволоки.
- Не допускайте, чтобы всасывающая трубка ударялась о землю.
- Перед снятием забившегося материала или удалением засора остановите двигатель и отсоедините колпачок свечи зажигания.

## Средства индивидуальной защиты

- Всегда используйте соответствующее защитное снаряжение при эксплуатации изделия. Защитное снаряжение не исключает риск травмирования. Оно снижает тяжесть травмы при несчастном случае.
- Всегда пользуйтесь одобренными средствами защиты глаз при использовании изделия.

- При эксплуатации изделия запрещается находиться босиком или носить открытую обувь. Всегда надевайте прочные нескользкие ботинки.
- Надевайте прочные длинные брюки.
- При необходимости используйте одобренные защитные перчатки.
- Надевайте шлем, если существует вероятность попадания объектов в голову.
- Всегда надевайте одобренные защитные наушники при использовании изделия. Длительное воздействие шума может привести к снижению слуха.
- При эксплуатации изделия в запыленной среде всегда используйте одобренную пылезащитную маску.
- Всегда имейте при себе аптечку для оказания первой медицинской помощи.

## Защитные устройства на изделии

- Регулярно выполняйте техническое обслуживание изделия.
  - Повышается срок службы изделия.
  - Уменьшается риск несчастных случаев.

Ваш авторизованный дилер или сервисный центр должен регулярно проверять изделие и выполнять необходимую регулировку и ремонт.

- Запрещается эксплуатировать изделие, если защитное оборудование повреждено. При повреждении изделия обращайтесь в авторизованный сервисный центр.

## Выключатель

Запустите двигатель. Убедитесь, что двигатель останавливается при установке выключателя в положение остановки.

(Рис. 16)

## Глушитель



**ПРЕДУПРЕЖДЕНИЕ:** Не прикасайтесь к глушителю, пока он не остыл. Во время работы двигателя глушитель сильно нагревается и остается очень горячим после его остановки. Прикосновение к глушителю может вызвать ожоги.

- Запрещается использовать двигатель с поврежденным глушителем. Поврежденный глушитель повышает уровень шума и риск пожара. Держите огнетушитель в пределах досягаемости.
- Периодически проверяйте надежность крепления глушителя к корпусу изделия.
- Не прикасайтесь к двигателю или глушителю во время работы двигателя. Не прикасайтесь к двигателю или глушителю в течение некоторого времени после выключения двигателя. Горячие поверхности могут стать причиной травм.

- Горячий глушитель может стать причиной пожара. Соблюдайте осторожность при использовании изделия вблизи легковоспламеняющихся жидкостей или газов.
- Не прикасайтесь к деталям глушителя, если он поврежден. На деталях могут находиться канцерогенные химические вещества.
- Некоторые модели воздуховодов оснащены искрогасительной сеткой. Проводите очистку и замену сетки через определенные промежутки времени. См. раздел "Техническое обслуживание" (*Техническое обслуживание на стр. 241*).

(Рис. 17)

## Правила безопасного обращения с топливом

- Запрещается запускать изделие, если на него попало топливо или моторное масло. Удалите постороннее топливо/масло и дайте изделию высохнуть. Удалите постороннее топливо с поверхности изделия.
- Если топливо попало на одежду, немедленно смените ее.
- Не допускайте попадания топлива на тело, это может причинить вред здоровью. При попадании топлива на тело смойте его водой с мылом.
- Запрещается запускать двигатель, если вы пролили масло или топливо на изделие или тело.
- Запрещается запускать изделие при наличии утечки из двигателя. Регулярно проверяйте двигатель на наличие утечек.
- Соблюдайте осторожность при обращении с топливом. Топливо является легковоспламеняющейся жидкостью со взрывоопасными парами и может привести к серьезным или смертельным травмам.
- Запрещается вдыхать пары топлива, т. к. это может причинить вред здоровью. Убедитесь в наличии достаточного потока воздуха.
- Запрещается курить вблизи топлива или двигателя.
- Запрещается ставить теплые предметы рядом с топливом или двигателем.
- Запрещается доливать топливо при работающем двигателе.
- Прежде чем заправить изделие, убедитесь, что двигатель полностью остыл.
- Перед заправкой топлива медленно откройте крышку топливного бака и осторожно сбросьте давление.

- Запрещается заливать топливо в двигатель в помещении. Недостаточная вентиляция может привести к травме или смерти в результате удушья или отравления угарным газом.
- Аккуратно затяните крышку топливного бака во избежание возгорания.
- Перемещайте изделие минимум на 3 м (10 футов) от места заправки топливом, прежде чем запустить его.
- Не наливайте в топливный бак слишком много топлива.
- Убедитесь, что при перемещении изделия или емкости для топлива невозможно возникновение утечки.
- Запрещает размещать изделие или емкость для топлива вблизи открытого огня, искр или горящих фитилей. Убедитесь, что в месте хранения отсутствует открытый огонь.
- Используйте только одобренные емкости для переноски и хранения топлива.
- Сливайте топливо из топливного бака перед размещением изделия на длительное хранение. Соблюдайте требования местного законодательства в отношении места утилизации топлива.
- Очистите изделие, прежде чем поместить его на длительное хранение.
- Прежде чем поместить изделие на хранение, снимите кабель свечи зажигания во избежание случайного запуска двигателя.

## Инструкции по технике безопасности во время технического обслуживания



**ПРЕДУПРЕЖДЕНИЕ:** Ненадлежащее техническое обслуживание может привести к серьезной поломке двигателя или тяжелой травме.

Владелец несет ответственность за выполнение всего необходимого технического обслуживания в соответствии с руководством по эксплуатации. Прежде чем выполнять техническое обслуживание, отсоедините свечу зажигания. Перед регулировкой карбюратора не отсоединяйте свечу зажигания.

## Сборка



**ПРЕДУПРЕЖДЕНИЕ:** Перед сборкой изделия ознакомьтесь с разделом безопасности.

## Установка на изделие трубки воздуходувки и насадки

**Примечание:** Чтобы вставить трубку воздуходувки в выходное отверстие воздуходувки, потребуется достаточно ослабить болт. Поверните болт против часовой стрелки с помощью отвертки, чтобы ослабить его крепление.

1. Совместите ребро на верхней трубке воздуходувки с канавкой в выходном отверстии воздуходувки. Переместите трубку в нужное положение.
2. Поверните болт по часовой стрелке с помощью отвертки, чтобы прикрепить трубку.

**Примечание:** Не используйте инструмент для закручивания гайки.

3. Совместите выступы на верхней трубе воздуходувки с пазами на нижней трубе воздуходувки. Надвиньте нижнюю трубку воздуходувки на верхнюю трубку воздуходувки.
4. Поверните нижнюю трубку воздуходувки по часовой стрелке до щелчка.

## Установка сборника с различными всасывающими трубками



**ПРЕДУПРЕЖДЕНИЕ:** Перед установкой трубок на изделие отключите двигатель.

### Сборка сборника

1. Откройте сборник.
2. Вставьте всасывающую трубку изнутри сборника во всасывающее отверстие.
3. Убедитесь в наличии эластичных прокладок в канавке (А).
4. Застегните молнию на сборнике. (Рис. 18)

### Установка трубки сборника

1. Снимите трубку воздуходувки, если она установлена.

2. Совместите паз на трубке сборника (А) с канавкой в выпускном отверстии воздуходувки (В).
3. До упора надвиньте трубку сборника на выпускное отверстие.
4. Вставьте гайку (С) в отверстие.
5. Установите винт (D) и затяните его с помощью отвертки, чтобы зафиксировать трубку. (Рис. 19)

## Соединение вакуумных трубок

1. Совместите стрелку на нижней всасывающей трубке (А) со стрелкой на верхней всасывающей трубке (В).
2. Вставьте нижнюю всасывающую трубку в верхнюю всасывающую трубку.
3. С помощью отвертки установите самонарезающий винт (С), удерживающий трубки вместе. (Рис. 20)

## Установка вакуумных трубок

1. Вставьте конец отвертки в защелку всасывающего отверстия.
2. Поверните отвертку, чтобы открыть защелку. (Рис. 21)
3. Пока верхняя всасывающая трубка не установлена, держите крышку всасывающего отверстия открытой.
4. Совместите ребра на внутренней поверхности всасывающего отверстия с пазами на верхней всасывающей трубке. Убедитесь, что символ закрытого замка на трубке совмещен с символом раскрытого замка на всасывающем отверстии. (Рис. 22)
5. До упора вставьте верхнюю всасывающую трубку во всасывающее отверстие.
6. Поворачивайте верхнюю вакуумную трубку по часовой стрелке, пока символ закрытого замка на трубке не совместится с аналогичным символом на всасывающей трубке. При правильной установке трубки будет слышен щелчок. (Рис. 23)

## Эксплуатация



**ПРЕДУПРЕЖДЕНИЕ:** Перед началом эксплуатации изделия внимательно изучите раздел техники безопасности.

### Топливо

#### Использование топлива



**ВНИМАНИЕ:** Изделие оборудовано двухтактным двигателем. Используйте смесь бензина и масла для двухтактных двигателей. Убедись, что смесь содержит соответствующее количество масла. Неправильное соотношение бензина и

масла может привести к повреждению двигателя.

## Бензин



**ВНИМАНИЕ:** Не используйте бензин с октановым числом меньше 90 RON (87 AKI). Это может привести к повреждению изделия.



**ВНИМАНИЕ:** Запрещается использовать бензин с концентрацией этанола более 10% (E10). Это может привести к повреждению изделия.



**ВНИМАНИЕ:** Не используйте этилированный бензин. Это может привести к повреждению изделия.

- Всегда используйте свежий неэтилированный бензин с минимальным октановым числом 90 RON (87 AKI) и концентрацией этанола менее 10% (E10).
- Используйте бензин с более высоким октановым числом, если изделие часто используется с постоянно высокой частотой оборотов двигателя.
- В обязательном порядке пользуйтесь смесью неэтилированного бензина/масла надлежащего качества.

## Масло для двухтактных двигателей

- Используйте только высококачественное масло для двухтактных двигателей. Используйте только моторное масло для двигателей с воздушным охлаждением.
- Не используйте другие виды масла.
- Соотношение компонентов смеси 50:1 (2%)

Бензин	Масло
1 ам. галлон	77 мл (2,6 унции)
1 британский галл.	95 мл (3,2 унции)
5 л	100 мл (3,4 унции)

## Приготовление топливной смеси

**Примечание:** Для приготовления топливной смеси всегда используйте чистую емкость для топлива.

**Примечание:** Не готовьте топливную смесь в количестве из расчета более чем на 30 дней.

1. Налейте половину от всего количества бензина.
2. Добавьте все количество масла.
3. Встряхните топливную смесь, чтобы смешать компоненты.

4. Добавьте оставшийся бензин.
5. Встряхните топливную смесь, чтобы смешать компоненты.
6. Заполните топливный бак.

## Заправка топливом

- Всегда используйте емкость для топлива с клапаном от переполнения.
- Если на емкость попало топливо, удалите его и дайте емкости высохнуть.
- Убедитесь, что область вокруг крышки топливного бака чистая.
- Встряхните емкость для топлива, прежде чем налить топливную смесь в топливный бак.

## Запуск и остановка

### Перед запуском двигателя

- Проверьте изделие на наличие всех, поврежденных, ослабленных или изношенных деталей.
- Проверьте сборник. Убедитесь, что сборник не поврежден, а молния застегнута.
- Проверьте затяжку гаек, винтов и болтов.
- Проверьте воздушный фильтр.
- Проверьте исправность работы рычага управления дросселем.
- Проверьте исправность работы выключателя двигателя.
- Проверьте изделие на наличие утечек топлива.

### Запуск холодного двигателя



**ПРЕДУПРЕЖДЕНИЕ:** Не крутите шнур стартера вокруг руки.



**ВНИМАНИЕ:** Не удерживайте устройство ногой.



**ВНИМАНИЕ:** Не натягивайте шнур стартера до его конечного положения. Не выпускайте из руки ручку шнура стартера при вытянутом шнуре. Это может привести к повреждению изделия.

**Примечание:** Если двигатель остановился, переведите воздушную заслонку в закрытое положение и снова выполните шаги запуска.

1. Заполните топливный бак чистой топливной смесью.
2. Нажмите 10 раз грушу подкачивающего насоса. (Рис. 24)

3. Переведите заслонку двигателя в положение FULL CHOKE (закрытое положение). (Рис. 25)
4. Поверните регулятор скорости вращения против часовой стрелки до упора. (Рис. 26)
5. Прижмите корпус изделия к земле левой рукой.
6. Тяните ручку шнура стартера до тех пор, пока двигатель не попытается запуститься. Не тяните более 3 раз.
7. Переведите воздушную заслонку в положение 1/2 и выполняйте рывки за ручку шнура стартера до тех пор, пока двигатель не запустится и не заработает. (Рис. 27)
8. Дайте двигателю поработать около 10 секунд.
9. Нажмите на рычаг управления дросселем и держите его полностью нажатым при выполнении всех последующих операций.
10. Установите воздушную заслонку в положение OFF CHOKE (заслонка открыта). (Рис. 28)
11. Прогрейте двигатель в течение 1 минуты.

### Запуск прогретого двигателя

1. Нажмите на рычаг управления дросселем и держите его нажатым.
2. Переведите воздушную заслонку в положение 1/2.
3. Сжимая рычаг управления дросселем, резко потяните ручку шнура стартера, пока двигатель не запустится.
4. Установите воздушную заслонку в положение OFF CHOKE (заслонка открыта).

### Остановка двигателя

- Нажмите и отпустите переключатель двигателя STOP (ВЫКЛ) Переключатель автоматически вернется в положение ON (ВКЛ) Перед повторной попыткой запуска изделия подождите 7 секунд, чтобы переключатель успел сброситься.

### Использование насадки

- Когда необходима точность и высокая концентрация воздушного потока, пользуйтесь стандартным наконечником. (Рис. 29)
- При необходимости более широкого воздушного потока и высокой скорости потока используйте высокоскоростную насадку. (Рис. 30)

### Регулировка насадки воздуходувки

1. Поверните насадку влево, чтобы высвободить байонетный замок.

2. Переведите насадку в требуемое положение.
3. Поверните насадку вправо до щелчка.

## Всасывание

Прежде чем приступить к работе с воздуходувкой в режиме пылесоса, установите необходимое защитное оборудование.



**ПРЕДУПРЕЖДЕНИЕ:** Перед использованием изделия убедитесь, что сборник не поврежден, а молния застегнута. Не используйте поврежденный сборник. Это предотвратит травму, вызванную разлетающимися предметами. При управлении изделием левой рукой увеличивается риск возникновения нештатных ситуаций. Не прикасайтесь телом к области выпускного отверстия.



**ПРЕДУПРЕЖДЕНИЕ:** Не запускайте воздуходувку, если крышка всасывающего отверстия открыта или повреждена (за исключением того случая, когда установлена всасывающая трубка).

- Во время работы воздуходувки сборник должен придерживаться наплечным ремнем. Ремень необходимо надевать поверх плеча.
- Запустите воздуходувку. Соблюдайте инструкции, приведенные в разделах о запуске и остановке изделия *Запуск и остановка на стр. 239*. Прочитайте инструкции по технике безопасности *Безопасность на стр. 234*.

## Опорожнение сборника



**ПРЕДУПРЕЖДЕНИЕ:** Всегда проверяйте сборник. Перед использованием изделия убедитесь, что сборник не поврежден, а молния застегнута. Не используйте поврежденный сборник. Существует опасность травмы из-за риска разлета обломков. Будьте осторожны, если вы держите воздуходувку левой рукой. Не прикасайтесь к области выпускного отверстия.

1. Остановите изделие.
2. Расстегните молнию, находящуюся сбоку.
3. Опорожните сборник.
4. Застегните молнию.





**ПРЕДУПРЕЖДЕНИЕ:** Перед очисткой, ремонтом или техническим обслуживанием изделия внимательно изучите раздел техники безопасности.

## График технического обслуживания

Соблюдайте график техобслуживания. Интервалы рассчитаны на основе ежедневной эксплуатации изделия. Если изделие не используется каждый день, интервалы будут другими. Выполняйте самостоятельно только те работы по техобслуживанию, которые описаны в данном руководстве. Другие работы по техобслуживанию, не описанные в этом руководстве, должны выполняться авторизованным сервисным центром.

### Ежедневное обслуживание

- Очистите внешние поверхности.
- Проверьте исправность регулятора скорости и рычага управления дросселем. Замените поврежденные детали.
- Проверьте выключатель двигателя. В случае необходимости замените его.
- Проверьте скорость холостого хода.
- Очистите воздушный фильтр. В случае необходимости замените его.
- Убедитесь в том, что крышку всасывающего отверстия можно заблокировать в закрытом положении. Убедитесь, что крыльчатка не загрязнена.
- Затяните все гайки и винты.
- Убедитесь в отсутствии трещин на корпусах.
- Убедитесь, что сборник не поврежден, а молния исправна. При необходимости замените сборник.

### Еженедельное техобслуживание

- Проверьте состояние стартера, шнура стартера и натяжной пружины. Замените все поврежденные детали.
- Проверьте состояние воздухозаборника на стартере. В случае засорения воздухозаборника удалите весь мусор.
- Очистите наружную поверхность свечи зажигания. Снимите ее и проверьте зазор между электродами. Отрегулируйте его до 6 мм (0,024 дюйма) или замените свечу зажигания.
- Прочистите лопасти на крыльчатке.
- Прочистите искрогасительную сетку и при необходимости замените ее (это не относится к глушителям с катализатором).
- Очистите область карбюратора.
- Очистите воздушный фильтр.

### Ежемесячное техобслуживание

- Проверьте ручку стартера и шнур стартера.
- Прочистите топливный бак.
- Прочистите карбюратор и область вокруг него.
- Прочистите лопасти на крыльчатке.
- Проверьте топливопроводы на наличие трещин или других повреждений. Замените их в случае необходимости
- Замените топливный фильтр в топливном баке.
- Осмотрите все провода и соединения.
- Замените свечу зажигания.
- Замените воздушный фильтр.

### Ежегодное техобслуживание

- Проверьте свечу зажигания.
- Очистите внешнюю поверхность карбюратора и прилегающих к нему участков.
- Очистите систему охлаждения.
- Проверьте искрогасительную сетку.
- Проверьте топливный фильтр.
- Проверьте топливный шланг на наличие повреждений.
- Осмотрите все провода и соединения.

### 50-часовое техобслуживание

- Обратитесь в авторизованный сервисный центр для ремонта или замены глушителя.

## Регулировка скорости холостого хода

- Перед регулировкой оборотов холостого хода убедитесь, что воздушный фильтр чистый, а крышка воздушного фильтра установлена.
- Отрегулируйте обороты холостого хода с помощью винта регулировки холостого хода T, обозначенного меткой "T".
- Скорость холостого хода правильная, если двигатель работает ровно во всех положениях.

(Рис. 31)

1. Для увеличения оборотов поверните винт регулировки холостого хода по часовой стрелке.
2. Для уменьшения оборотов поверните винт регулировки холостого хода против часовой стрелки.

## Техобслуживание искрогасительной сетки

Для очистки искрогасительной сетки используйте металлическую щетку.

## Очистка системы охлаждения

(Рис. 32)

Для очистки компонентов системы охлаждения используйте щетку.

## Проверка свечи зажигания



**ВНИМАНИЕ:** Всегда используйте только указанный тип свечи. Использование неправильного типа свечи зажигания может привести к повреждению изделия.

- Проверьте свечу зажигания, если двигатель не набирает мощность, плохо заводится или плохо работает на холостых оборотах.
- Чтобы уменьшить риск появления нежелательного материала на электродах свечи зажигания, соблюдайте следующие инструкции:
  - a) Убедитесь в правильности регулировки частоты оборотов холостого хода.
  - b) Убедитесь, что используется надлежащая топливная смесь.
  - c) Убедитесь, что воздушный фильтр чист.
- Если свеча зажигания загрязнена, очистите ее и проверьте зазор между электродами, см. раздел *Технические данные на стр. 242.* (Рис. 33)

- При необходимости замените свечу зажигания.

## Техобслуживание воздушного фильтра

### Очистка воздушного фильтра

1. Снимите крышку воздушного фильтра и воздушный фильтр. (Рис. 34)
2. Промойте воздушный фильтр теплой мыльной водой. Перед установкой фильтра на место убедитесь, что он полностью высох.
3. Если воздушный фильтр слишком грязный, чтобы полностью его очистить, замените его. Всегда заменяйте поврежденный воздушный фильтр.
4. Если изделие оснащено поролоновым воздушным фильтром, нанесите масло для воздушного фильтра. Масло для воздушного фильтра наносится только на поролоновый фильтр. Нельзя наносить масло на фетровый фильтр.

## Технические данные

	Единица измерения	125В (125B28HV)	125BX (125B28HV)	125BVX (125B28HV)
<b>Спецификации двигателя</b>				
Объем цилиндра	см <sup>3</sup>	28	28	28
Зазор между электродами	мм	0,6	0,6	0,6
Объем топливного бака	см <sup>3</sup>	500	500	500
Холостой ход	мин <sup>-1</sup>	2800 - 3200	2800 - 3200	2800 - 3200
Максимальная частота вращения	мин <sup>-1</sup>	8000	8000	8000
Мощность на выходе	кВт	0,8	0,8	0,8
Свеча зажигания		Champion RCJ-6Y	Champion RCJ-6Y	Champion RCJ-6Y
Максимальная скорость в режиме воздуходувки	мин <sup>-1</sup>	8600	8600	8600
Максимальная скорость в режиме пылесоса	мин <sup>-1</sup>	--	7500	7500
Период устойчивости характеристик выбросов	ч	125	125	125
<b>Уровень шума и вибрации</b>				
Эквивалент уровня вибрации на ручках с трубками воздуходувки и насадкой (оригинальные) - см. примечание 1	м/с <sup>2</sup>	11,03	11,03	11,03

Эквивалент уровня вибрации на ручках со всасывающими трубками (оригинальные), левая/ правая - см. примечание 1	м/с <sup>2</sup>	--/--	12,16 / 12,29	12,16 / 12,29
Эквивалентный уровень давления звука на уровне уха пользователя, измеренный согласно ISO 22868, с трубками воздуходувки и насадкой (оригинальные) - см. примечание 3	дБ(А)	96	96	96
Звуковое давление на уровне уха пользователя, измеренное согласно ANSI B175.2, с трубками воздуходувки и насадкой (оригинальными)	дБ(А)	71	71	71
Уровень мощности шума, измеренный — см. примечание 2	дБ(А)	109	109	109
Уровень мощности шума, гарантированный (L <sub>WA</sub> ) — см. примечание 2	дБ(А)	112	112	112
<b>Размеры изделия</b>				
Вес (без топлива, с установленной трубкой воздуходувки и стандартной насадкой)	кг	4,3	4,4	4,4
<b>Примечание 1:</b> Указанные данные об уровне вибрации имеют типичный статистический разброс (стандартное отклонение) 1 м/с <sup>2</sup> .				
<b>Примечание 2:</b> Излучение шума в окружающую среду измеряется как шумовой эффект (L <sub>WA</sub> ) согласно Директиве ЕС 2000/14/ЕС. Указанный уровень звуковой мощности для агрегата измерен при работе с оригинальным оборудованием, создающим самый высокий уровень шума. Разница между гарантированной и измеренной мощностью звука заключается в том, что гарантированная мощность звука включает результаты измерений как диапазон и их отклонение для устройств одной и той же модели согласно директиве 2000/14/ЕС.				
<b>Примечание 3:</b> Указанные данные об эквивалентном уровне давления звука для устройства имеют типичный статистический разброс (стандартное отклонение) 1 дБ(А).				

Вентилятор	Единица измерения	125B	125BX	125BVX
Тип		Радиальный вентилятор	Радиальный вентилятор	Радиальный вентилятор
Макс. скорость воздушного потока, стандартная насадка	км/ч	217	217	217
Макс. скорость воздушного потока, высокоскоростная насадка*	км/ч	273	273	273
Расход воздуха в режиме воздуходувки	куб. фут/мин	425	425	425
Расход воздуха в режиме пылесоса	куб. фут/мин	--	445	445
*дополнительная принадлежность для некоторых моделей				

## Принадлежности

125B, 125BX, 125BVX	
<b>Соответствующие принадлежности</b>	<b>Тип</b>
Комплект для очистки водосточной трубы	952 711 918
125BX, 125BX	
<b>Соответствующие принадлежности</b>	<b>Тип</b>
Комплект для работы в режиме пылесоса	952 711 913
125B	
<b>Соответствующие принадлежности</b>	<b>Тип</b>
Высокоскоростная насадка	545 119 501

## Содержание декларации о соответствии ЕС

Компания Husqvarna AB, SE 561 82 Huskvarna, SWEDEN, под свою исключительную ответственность заявляет, что представленное изделие:

Описание	Gasoline Blower/ Blower-Vacuum
Марка	Husqvarna
Платформа / Тип / Модель	Платформа 125B28HV, представленная моделью 125B, 125BX, 125BVX
Партия	Серийный номер с 2019 года и далее

полностью соответствует следующим директивам и нормам ЕС:

Директива/Норматив	Описание
2006/42/ЕС	"о механическом оборудовании"
2014/30/ЕС	"об электромагнитной совместимости"
2000/14/ЕС	"об излучении шума от оборудования, размещенного вне помещения"

Директива/Норматив	Описание
2011/65/EU	"об ограничении использования опасных веществ"

Применяются следующие согласованные стандарты и/или технические спецификации: EN ISO 12100, EN ISO 1186-1, CISPR 12, ISO 14982, EN 50581

В соответствии с директивой 2000/14/ЕС, приложение V, заявленные значения звукового давления указаны в разделе технических данных настоящего руководства и в подписанной декларации соответствия ЕС.

Организацией Intertek был проведен добровольный контроль от имени Husqvarna AB, в результате которого был выдан Сертификат соответствия директиве ЕС 2006/42/ЕС о механическом оборудовании.

Сертификат, предоставленный в подписанной декларации соответствия ЕС, действителен для всех предприятий и стран производителя, как указано на изделии.

Поставляемая Gasoline Blower / Blower-Vacuum соответствует эталону, прошедшему контроль.

---

# Obsah

---

Úvod.....	245	Údržba.....	251
Bezpečnosť.....	246	Technické údaje.....	253
Montáž.....	249	Príslušenstvo.....	254
Prevádzka.....	249	Obsah vyhlásenia o zhode ES.....	254

---

## Úvod

---

### Návod na obsluhu

Pôvodný jazyk tohto návodu na obsluhu je angličtina. Návody na obsluhu v iných jazykoch sú jeho preložené verzie z angličtiny.

(Obr. 1)

1. Ramenný popruh (125BVX)
2. Páčka plynu
3. Vypínač
4. Regulácia rýchlosti
5. Kryt ventilátora
6. Uzáver palivovej nádrže
7. Vzduchový filter
8. Sýtič
9. Nastrekovací balónik
10. Kryt vstupného bloku
11. Rukoväť vysávača (125BX a 125BVX)
12. Rezacie zuby (125BX a 125BVX)
13. Rotor ventilátora
14. Štandardný nástavec
15. Vysokorýchlostná dýza (125BX a 125BVX)
16. Fúkacia trubica
17. Svorka trubice
18. Upínadlá trubicovej svorky
19. Tlmič výfuku
20. Uzemňovací kábel
21. Rukoväť štartovacieho lanka
22. Štartér
23. Nastavovacie skrutky karburátora
24. Návod na obsluhu
25. Vysávacie zariadenie so zbernými komponentmi, ktoré sa skladá z položiek 26 – 30 uvedených nižšie
26. Trubica zberného vaku
27. Zberný vak
28. Vysávacía trubica s dvoma prierezmi
29. Skrutka
30. Ramenný popruh

### Symbody na výrobku

(Obr. 2) Výstraha

(Obr. 3) Prečítajte si tento návod

### Prehľad

- (Obr. 4) Používajte schválené chrániče sluchu
- (Obr. 4) Používajte schválené chrániče očí
- (Obr. 4) Používajte schválenú masku proti prachu
- (Obr. 5) Používajte schválené ochranné rukavice
- (Obr. 6) Počas používania sa môžu od výrobku odraziť predmety a spôsobiť poranenie očí
- (Obr. 7) Bezpečná vzdialenosť
- (Obr. 8) Nepribližujte sa k ventilátoru, keď je v prevádzke
- (Obr. 9) Nedovoľte, aby sa k výrobku priblížili deti
- (Obr. 10) Hladina hlučnosti
- (Obr. 11) Hladina hluku
- (Obr. 12) Ak máte dlhé vlasy, uistite sa, že ich máte zopnuté nahor
- (Obr. 13) Tento výrobok je v súlade s príslušnými smernicami EÚ
- (Obr. 14) Tento výrobok je v súlade s príslušnými smernicami EAC
- (Obr. 15) Tento výrobok je v súlade s príslušnými ukrajinskými smernicami

---

**Poznámka:** Ostatné symboly/emblémy na výrobku odkazujú na požiadavky certifikácie pre ďalšie komerčné oblasti.

---

### Emisie Euro V



**VÝSTRAHA:** Nepovolená manipulácia s motorom ruší platnosť typového schválenia tohto výrobku pre EÚ.

---

## Zodpovednosť za výrobok

V súlade s právnymi predpismi upravujúcimi zodpovednosť za výrobok nenesieme zodpovednosť za škody spôsobené naším výrobkom v dôsledku:

- nesprávne vykonanej opravy výrobku,
- opravy výrobku, pri ktorej neboli použité diely od výrobcu alebo diely schválené výrobcom,

- používania príslušenstva od iného výrobcu alebo príslušenstva, ktoré nie je schválené výrobcom,
- opravy výrobku, ktoré neboli vykonané v schválenom servisnom stredisku alebo schválenými kompetentnými osobami.

---

## Bezpečnosť

---

### Bezpečnostné definície

Nižšie uvedené definície označujú úroveň závažnosti pre každé signálne slovo.



**VÝSTRAHA:** Poranenie osôb.



**VAROVANIE:** Poškodenie výrobku.

**Poznámka:** Táto informácia napomáha k jednoduchšiemu používaniu výrobku.

### Všeobecné bezpečnostné pokyny



**VÝSTRAHA:** Skôr než budete výrobok používať, prečítajte si nasledujúce výstrahy.

- Výrobok používajte správne. Nesprávne použitie môže mať za následok poranenie alebo smrť. Výrobok používajte len na účely uvedené v tomto návode. Výrobok nepoužívajte na iné účely.
- Dodržiavajte pokyny uvedené v tomto návode. Dodržiavajte bezpečnostné symboly a bezpečnostné pokyny. Ak používateľ nebude dodržiavať uvedené pokyny a symboly, môže dôjsť k poraneniu, poškodeniu alebo smrti.
- Tento návod nezahadzujte. Tieto pokyny poskytujú všetky potrebné kroky na montáž a prevádzku výrobku a pomôžu vám udržať výrobok v dobrom stave. Tieto pokyny poskytujú všetky potrebné kroky na správnu inštaláciu doplnkov a príslušenstva. Používajte len schválené doplnky a príslušenstvo.
- Ak sa výrobok poškodí, nepoužívajte ho. Dodržiavajte plán údržby. Vykonávajte len údržbu, ku ktorej nájdete pokyny v tomto návode. Všetky ostatné práce týkajúce sa údržby musí vykonať schválené servisné stredisko.
- Tento návod na obsluhu nezahŕňa všetky situácie, s ktorými sa môžete počas používania tohto výrobku stretnúť. Pri jeho používaní zachovávajte opatrnosť a riaďte sa zdravým úsudkom. Výrobok nepoužívajte ani na ňom nevykonávajte žiadnu údržbu, ak s

istotou neviete, o aký problém ide. Kontaktujte produktového odborníka, predajcu, servisného zástupcu alebo schválené servisné stredisko a požiadať o informácie.

- Pred montážou výrobku, jeho uskladnením alebo vykonávaním údržby odpojte kábel zapalovacej sviečky.
- Výrobok nepoužívajte, ak sa zmenili jeho pôvodné technické špecifikácie. Nevymieňajte diely výrobku bez schválenia výrobcu. Používajte iba príslušenstvo schválené výrobcom. Nesprávna údržba môže mať za následok poranenie alebo smrť.
- Nevdychujte výpary z motora. Dlhodobé vdychovanie výfukových plynov predstavuje zdravotné riziko.
- Neštartujte výrobok vo vnútri ani v blízkosti horľavého materiálu. Výfukové plyny sú horúce a môžu obsahovať iskry, ktoré môžu spôsobiť požiar. Nedostatočné prúdenie vzduchu môže spôsobiť poranenie alebo smrť v dôsledku uduseného alebo otravy oxidom uhoľnatým.
- Počas používania tohto výrobku vytvára motor elektromagnetické pole. Elektromagnetické pole môže poškodiť implantované lekárske prístroje. Pred používaním tohto výrobku sa poraďte so svojim lekárom a výrobcom implantovaného lekárskeho prístroja.
- Nedovoľte, aby výrobok používali deti. Nedovoľte, aby výrobok používali osoby, ktoré nepoznajú potrebné pokyny.
- Osoby so zníženými fyzickými alebo duševnými schopnosťami musia byť počas používania výrobku vždy pod dozorom. Vyžaduje sa neustála prítomnosť zodpovednej dospeléj osoby.
- Výrobok bezpečne uzamknite na mieste, ku ktorému nemajú prístup deti a nepovolené osoby.
- Počas používania sa môžu od výrobku odraziť predmety a spôsobiť poranenia. Dodržiavajte bezpečnostné pokyny, aby ste znížili riziko poranenia alebo smrti.
- Nevzdávajte sa od výrobku, keď je zapnutý motor.
- V prípade nehody zodpovedá za následky používateľ.
- Pred používaním výrobku sa uistite, že nie sú poškodené žiadne diely.
- Pred používaním výrobku sa uistite, že sa nachádzate minimálne 15 m od iných osôb alebo

- zvierat. Uistite sa, že osoby v okolí vedia o tom, že budete výrobok používať.
- Dodržiavajte národné alebo miestne právne predpisy. V určitých podmienkach môžu zakazovať alebo obmedzovať prevádzku výrobku.
- Výrobok nepoužívajte, ak ste unavení alebo pod vplyvom alkoholu, drog alebo liekov. Môže to ovplyvniť váš zrak, pozornosť, koordináciu a úsudok.

## Ochrana proti vibráciám

Tento výrobok je určený len na príležitostné používanie. Nepretržitá alebo pravidelná prevádzka výrobku môže viesť k syndrómu „bielych prstov“ alebo k podobným zdravotným problémom vyplývajúcim z vibrácií. Ak výrobok používate nepretržite alebo pravidelne, dbajte na starostlivosť o stav vašich rúk a prstov. Ak budú vaše ruky alebo prsty vykazovať známky straty sfarbenia, začnú vás bolieť, chvieť sa alebo vám znečitlivejú, prestaňte pracovať a okamžite kontaktujte svojho lekára.

## Bezpečnostné pokyny na prevádzku fúkača

- Výrobok používajte len na fúkanie alebo odstraňovanie listov a iných nečistôt na zemi.
- Nikdy nepoužívajte výrobok, ak ste unavení, chorí alebo ste pod vplyvom alkoholu, drog alebo liekov.
- Nedovoľte, aby okolostojaci alebo zvieratá boli k obsluhujúcemu pracovníkovi bližšie ako 15 m.
- Výrobok môže odhadzovať predmety pri vysokej rýchlosti, ktoré sa môžu odraziť a zasiahnuť obsluhujúceho pracovníka. Môže tak dôjsť k poškodeniu očí.
- Dýzou fúkača nesmerujte na ľudí ani zvieratá.
- Ak máte dlhé vlasy, uistite sa, že ich máte zopnuté nahor.
- Pred montážou alebo demontážou príslušenstva alebo iných dielov vždy zastavte motor.
- Výrobok nepoužívajte bez chrániča.
- Výrobok nepoužívajte, ak sa v pracovnej zóne nachádzajú iné osoby. Ak sa do pracovnej zóny dostane osoba, výrobok vypne.
- Výrobok nepoužívajte v priestoroch s nedostatočným prúdením vzduchu. Nedostatočné prúdenie vzduchu môže spôsobiť poranenie alebo smrť v dôsledku udusenía alebo otravy oxidom uhľoňatým.
- Tlmič výfuku je veľmi horúci, keď je výrobok v prevádzke, hneď po zastavení a keď ide na voľnobežné otáčky. Blízko horľavých materiálov a horľavých výparov dbajte na opatrnosť.
- Nedotýkajte sa nasávacej oblasti. Šperky a voľné oblečenie nepribližujte k nasávacej oblasti.
- Vždy kráčajte isto a výrobok používajte len na bezpečných a rovných povrchoch. Na klzkých alebo nestabilných povrchoch, ako sú rebriky, môžete stratiť rovnováhu alebo kontrolu.
- Výrobok nepoužívajte vo výškach, napríklad na streche.
- Počas prepravy výrobok zaistite.

- Výrobok používajte len počas odporúčaných hodín. Dodržiavajte miestne nariadenia. Zvyčajne sa odporúča doba medzi 9.00 a 17.00, od pondelka do soboty.
- Výrobok používajte pri najnižšom možnom výkone potrebnom na vykonanie úlohy.
- Uistite sa, že počas používania výrobku nemôžete spadnúť. Počas obsluhy výrobku sa nenakláňajte.
- Pred použitím sa uistite, že výrobok je v dobrom stave, zvlášť tlmíč výfuku, nasávanie vzduchu a vzduchový filter.
- Pred použitím výrobku použite na zhrabanie predmetov hrable alebo metlu.
- Ak je pracovná oblasť špinavá, ostriekajte ju hadicou.
- Šetrite vodou a výrobok používajte ako alternatívu hadice s vodou.
- Nečistoty vyfukujte bezpečne. Dávajte pozor na deti, zvieratá, otvorené okná a vozidlá.
- Výrobok nesmerujte na rastliny, ktoré sa ľahko poškodia.
- Vzduch nefúkajte smerom k objektom, ako sú steny, veľké skaly, vozidlá a ploty.
- Ak pracujete vo vnútorných rohoch, fúkajte smerom z rohu a smerom do stredu pracovnej oblasti. V opačnom prípade vám môžu nečistoty udrieť do tváre a spôsobiť zranenie očí.
- Používajte plné predĺženie dýzy, aby bol prúd vzduchu blízko pri zemi.
- Je nutné, aby okolostojaci mali nasadené chrániče očí.
- Po použití výrobku nečistoty vyhodte do zberných nádob na odpad.

## Bezpečnostné pokyny na prevádzku vysávača

- Zabráňte poškodeniu ventilátora. Nevysávajte veľké, tuhé predmety, ako je drevo, plechovky, kusy gummy alebo dlhé kusy špagátu.
- Zabráňte kontaktu vysávacej trubice so zemou.
- Pred odstránením zablokovaného alebo zaseknutého materiálu zastavte motor a odpojte kryt zapaľovacej sviečky.

## Osobné ochranné prostriedky

- Počas používania výrobku vždy používajte správne osobné ochranné prostriedky. Osobné ochranné prostriedky neznamenajú, že neexistuje nebezpečenstvo poranenia. V prípade nehody môžu osobné ochranné prostriedky znížiť závažnosť poranenia.
- Počas používania výrobku vždy používajte schválené chrániče očí.
- Výrobok neobsluhujte s bosými nohami ani v otvorených topánkach. Vždy noste odolné protišmykové topánky.
- Noste dlhé odolné nohavice.

- V prípade potreby používajte schválené ochranné rukavice.
- Ak existuje riziko poranenia hlavy v dôsledku pádu predmetov, používajte prilbu.
- Počas obsluhy výrobku vždy používate schválenú ochranu uší. Dlhodobé pôsobenie hluku môže mať za následok stratu sluchu.
- Pri používaní výrobku v prašnom prostredí vždy používajte schválenú masku proti prachu.
- Uistite sa, že máte v blízkosti k dispozícii lekárničku.

## Ochranné zariadenia na výrobku

- Uistite sa, že pravidelne vykonávate údržbu výrobku.
  - Predĺžite tak životnosť výrobku.
  - Znížite tak riziko výskytu nehôd.

Výrobok nechajte pravidelne kontrolovať u schváleného predajcu alebo u schválenom servisnom stredisku kvôli potrebným nastaveniam alebo opravám.

- Výrobok nepoužívajte, ak je poškodené ochranné vybavenie. Ak sa výrobok poškodí, kontaktujte schválené servisné stredisko.

## Vypínač

Naštartujte motor. Uistite sa, že po prepnutí vypínača do polohy zastavenia sa motor zastaví. (Obr. 16)

## Tlmič výfuku



**VÝSTRAHA:** Nedotýkajte sa tlmiča výfuku, kým je horúci. Tlmič výfuku je veľmi horúci, keď motor beží a keď sa zastaví. Ak sa dotknete tlmiča výfuku, môžu vzniknúť popáleniny.

- Nepoužívajte motor, ak je tlmič výfuku poškodený. Poškodený tlmič výfuku zvyšuje hladinu hluku a nebezpečenstvo požiaru. Majte poruke hasiaci prístroj.
- Pravidelne kontrolujte, že je tlmič výfuku pripevnený k výrobku.
- Nedotýkajte sa motora ani tlmiča výfuku, keď je motor v prevádzke. Nedotýkajte sa motora ani tlmiča výfuku hneď po vypnutí motora. Horúce povrchy môžu spôsobiť poranenia.
- Horúci tlmič výfuku môže mať za následok vznik požiaru. Pri používaní výrobku v blízkosti horľavých kvapalín alebo plynov zachovajte opatrnosť.
- Ak je tlmič výfuku poškodený, nedotýkajte sa dielov vnútri tlmiča výfuku. Diely môžu obsahovať niektoré karcinogénne chemikálie.
- Niektoré fúkače majú lapač iskier. V uvedených intervaloch lapač čistíte a vymieňate. Pozrite si kapitolu Údržba (*Údržba na strane 251*).

(Obr. 17)

## Bezpečnosť paliva

- Výrobok neštartujte, ak sú na ňom zvyšky paliva alebo motorového oleja. Odstráňte neželané palivo/ olej a nechajte výrobok vyschnúť. Odstráňte z výrobku neželané palivo.
- Ak vylejete palivo na odev, okamžite sa prezlečte.
- Dávajte pozor, aby ste si palivo nevyliali na telo, pretože môže spôsobiť poranenie. Ak si palivo vylejete na telo, umyte sa pomocou mydla a vody.
- Motor neštartujte, ak olej alebo palivo vylejete na výrobku alebo na svoje telo.
- Výrobok neštartujte, ak sa na motore vyskytuje netesnosť. Pravidelne kontrolujte výskyt netesností na motore.
- Pri manipulácii s palivom zachovajte opatrnosť. Palivo je horľavá látka a výpary z paliva sú výbušné a môžu spôsobiť poranenia alebo smrť.
- Vyhnite sa vdychovaniu výparov paliva, pretože môžu spôsobiť poranenie. Zabezpečte dostatočné prúdenie vzduchu.
- V blízkosti paliva alebo motora nefajčite.
- Neukladajte do blízkosti paliva alebo motora teplé predmety.
- Nedopĺňajte palivo, keď je zapnutý motor.
- Pred dopĺňaním paliva sa uistite, že motor vychladol.
- Pred dopĺňaním paliva pomaly otvorte veko palivovej nádrže a opatrne uvoľnite tlak.
- Palivo do motora nedopĺňajte v interiéri. Nedostatočné prúdenie vzduchu môže spôsobiť poranenie alebo smrť v dôsledku udusenía alebo otravy oxidom uhoľnatým.
- Starostlivo utiahnite veko palivovej nádrže, inak hrozí riziko vzniku požiaru.
- Pred spustením premiestnite výrobok minimálne 3 m od miesta, na ktorom ste dopĺňali palivo do nádrže.
- Neprepĺňajte palivovú nádrž.
- Pri premiestňovaní výrobku alebo nádoby na palivo sa uistite, že z nich nevyteká palivo.
- Výrobok ani nádobu na palivo neukladajte na miesta s otvoreným ohňom, iskrami alebo trvalým plameňom. Uistite sa, že sa na mieste, na ktorom výrobok uskladníte, nenachádza otvorený oheň.
- Na premiestnenie alebo uskladnenie paliva používajte len schválené nádoby.
- Pred dlhodobým uskladnením vypúšťajte palivovú nádrž. Pri likvidácii paliva dodržiavajte miestne právne predpisy.
- Pred dlhodobým uskladnením výrobok vyčistite.
- Pred odložením odmontujte z výrobku kábel zapalovacej sviečky, aby ste sa uistili, že nedôjde k náhodnému spusteniu motora.

## Bezpečnostné pokyny pre údržbu



**VÝSTRAHA:** Nesprávna údržba môže spôsobiť vážne poškodenie motora alebo vážne poranenie.



Vlastník stroja zodpovedá za vykonanie všetkých potrebných úkonov údržby, ako je určené v návode na obsluhu. Pred vykonaním údržby odpojte zapaľovaciu

sviečku. Pred nastavením karburátora neodpájajte zapaľovaciu sviečku.

---

## Montáž

---



**VÝSTRAHA:** Pred montážou výrobku si prečítajte kapitolu o bezpečnosti.

---

### Montáž fúkacej trubice a dýzy na výrobok

---

**Poznámka:** Skrutka musí byť dostatočne uvoľnená, aby sa fúkacia trubica dala umiestniť do výstupu fúkača. Skrutku uvoľníte otočením skrutkovača proti smeru hodinových ručičiek.

1. Zarovnajete výstupok na hornej fúkacej trubici s drážkou na výstupe fúkača. Zasuňte trubicu do správnej polohy.
2. Trubicu upevníte utiahnutím skrutky skrutkovačom v smere hodinových ručičiek.

**Poznámka:** Na maticu nepoužívajte žiaden nástroj.

3. Zarovnajete štrbiny na dolnej fúkacej trubici so západkami na hornej fúkacej trubici. Zasuňte dolnú fúkaciu trubicu na hornú fúkaciu trubicu.
4. Otočíte dolnú fúkaciu trubicu v smere hodinových ručičiek, kým nezačujete kliknutie.

---

### Montáž zberného vaku a rôznych vysávacích trubic

---



**VÝSTRAHA:** Pred pripojením trubic k výrobku vypnite motor.

---

#### Montáž zberného vaku

1. Otvorte zberný vak.
2. Vsuňte trubicu zberného vaku zvnútra vaku, aby sa dala upevniť k vstupnému otvoru vysávača.
3. Uistite sa, že elastický materiál sedí v drážke (A).
4. Zatvorte zips na vaku. (Obr. 18)

---

#### Inštalácia trubice zberného vaku

1. Ak je pripojená fúkacia trubica, odpojte ju.
2. Zarovnajete výstupok na trubici zberného vaku (A) s drážkou na výstupe fúkača (B).
3. Úplne nasuňte trubicu zberného vaku na výstup fúkača.
4. Vsuňte maticu (C) do určeného otvoru.
5. Trubicu upevníte nasadením skrutky (D) a jej utiahnutím skrutkovačom. (Obr. 19)

---

#### Prepojenie trubic vysávača medzi sebou

1. Zarovnajete šípku na dolnej vysávacej trubici (A) so šípkou na hornej vysávacej trubici (B).
2. Zatláčte dolnú vysávaciu trubicu do hornej vysávacej trubice.
3. Pomocou skrutkovača namontujte závitoreznú skrutku (C), ktorá drží trubice dohromady. (Obr. 20)

---

#### Montáž vysávacích trubic

1. Vsuňte prst alebo skrutkovač do západky na jednotke vstupu vysávača.
2. Otáčajte skrutkovačom, aby ste uvoľnili západku. (Obr. 21)
3. Podržte kryt vstupného bloku vysávača otvorený, kým horná vysávací trubica nie je nasadená na svojom mieste.
4. Zarovnajete výstupky na vnútornej strane vstupu vysávača so štrbinami na hornej vysávacej trubici. Uistite sa, že symbol uzamknutia na trubici je zarovnaný so symbolom odomknutia na vstupe vysávača. (Obr. 22)
5. Úplne zatláčte hornú vysávaciu trubicu na vstup vysávača.
6. Otáčajte hornú vysávaciu trubicu v smere hodinových ručičiek, až kým symbol uzamknutia na trubici nebude zarovnaný so symbolom uzamknutia na vstupe vysávača. Keď je trubica správne pripevnená, pocítite kliknutie. (Obr. 23)

---

## Prevádzka

---



**VÝSTRAHA:** Pred používaním výrobku si prečítajte kapitolu o bezpečnosti a porozumejte informáciám, ktoré sa v nej uvádzajú.

---

#### Palivo

#### Používanie paliva



**VAROVANIE:** Tento výrobok má dvojtaktný motor. Používajte zmes benzínu a oleja pre dvojtaktné motory. Uistite sa, že do zmesi pridáte správne množstvo oleja. Nesprávny

pomer benzínu a oleja môže poškodiť motor.

## Benzín



**VAROVANIE:** Nepoužívajte benzín s oktánovým číslom menším než 90 RON (87 AKI). Mohlo by to viesť k poškodeniu výrobku.



**VAROVANIE:** Nepoužívajte benzín s vyššou než 10 % koncentráciou etanolu (E10). Mohlo by to viesť k poškodeniu výrobku.



**VAROVANIE:** Nepoužívajte olovnatý benzín. Mohlo by to viesť k poškodeniu výrobku.

- Vždy používajte nový bezolovnatý benzín s minimálnym oktánovým číslom 90 RON (87 AKI) a maximálne 10 % koncentráciou etanolu (E10).
- Ak výrobok často používate na dlhodobé práce pri vysokých otáčkach, odporúčame používať vysokooktánový benzín.
- Vždy používajte zmes kvalitného bezolovnatého benzínu a oleja.

## Olej pre dvojtaktný motor

- Používajte len vysokokvalitný olej pre dvojtaktné motory. Používajte len olej pre vzduchom chladené motory.
- Nepoužívajte iné typy olejov.
- Pomer zmiešavania je 50:1 (2 %)

Benzín	Olej
1 am. gal.	77 ml (2,6 unce)
1 imperiálny gal.	95 ml (3,2 unce)
5 l	100 ml (3,4 unce)

## Príprava zmesi paliva

**Poznámka:** Na prípravu zmesi paliva vždy použite čistú nádobu na palivo.

**Poznámka:** Pripravte si množstvo zmesi paliva, ktoré vám vydrží max. 30 dní.

1. Pridajte polovičnú dávku benzínu.
2. Pridajte celú dávku oleja.
3. Pretrepaním nádoby zmes paliva premiešajte.
4. Pridajte zvyšné množstvo benzínu.
5. Pretrepaním nádoby zmes paliva premiešajte.
6. Nalejte palivo do palivovej nádrže.

## Pridanie paliva

- Vždy používajte nádobu na palivo s ventilom proti pretečeniu paliva.
- Ak sa palivo vyleje na nádobu, odstráňte neželané palivo a nechajte nádobu vyschnúť.
- Uistite sa, že oblasť okolo veka palivovej nádrže je čistá.
- Pred doplnením paliva do palivovej nádrže nádobu na palivo pretrepte.

## Zapnutie a vypnutie

### Pred naštartovaním motora

- Výrobok skontrolujte, či nemá poškodené, uvoľnené alebo opotrebované diely a či niektoré diely nechýbajú.
- Skontrolujte zberný vak. Uistite sa, že zberný vak nie je poškodený a že zips je zatvorený.
- Skontrolujte matice, skrutky a skrutky s maticou.
- Skontrolujte vzduchový filter.
- Skontrolujte, či páčka plynu funguje správne.
- Skontrolujte, či vypínač funguje správne.
- Skontrolujte, či z produktu neuniká palivo.

### Štartovanie studeného motora



**VÝSTRAHA:** Štartovacie lanko si neovíjajte okolo ruky.



**VAROVANIE:** Výrobok nedržte nohou.



**VAROVANIE:** Štartovacie lanko neťahajte do konečnej polohy. Keď je štartovacie lanko vytiahnuté, nepúšťajte jeho držadlo. Môže sa tým poškodiť výrobok.

**Poznámka:** Ak sa motor zastaví, posuňte ovládanie sýtiča do zatvorenej polohy a zopakujte postup štartovania.

1. Do palivovej nádrže naplňte čistú zmes paliva.
2. 10-krát stlačte nastrekovací balónik. (Obr. 24)
3. Presuňte ovládanie sýtiča motora do polohy FULL CHOKE (zatvorenej). (Obr. 25)
4. Reguláciu variabilnej rýchlosti zatlačte úplne proti smeru hodinových ručičiek. (Obr. 26)
5. Ľavou rukou držte stroj na zemi.
6. Ťahajte rukoväť štartovacieho lanka, kým sa motor nezačne snažiť o naštartovanie. Neťahajte viac ako 3-krát.

7. Posuňte ovládanie sýtiča do polovičnej polohy (1/2) a potiahnite držadlo štartovacieho lanka, kým sa motor nezapne a nespustí. (Obr. 27)
8. Motor nechajte bežať približne 10 sekúnd.
9. Počas všetkých zostávajúcich krokov úplne stlačte a podržte páčku plynu.
10. Presuňte ovládanie sýtiča do polohy OFF CHOKE (otvorená). (Obr. 28)
11. Zohrievajte motor asi 1 minútu.

## Štartovanie teplého motora

1. Stlačte a držte spáčku plynu.
2. Presuňte ovládanie sýtiča do polovičnej polohy (1/2).
3. Rýchlo potiahnite rukoväť štartovacieho lanka a zároveň ťahajte páčku plynu, kým sa motor nespustí.
4. Presuňte ovládanie sýtiča do polohy OFF CHOKE (otvorená).

## Zastavenie motora

- Stlačte a uvoľnite vypínač motora STOP. Vypínač sa automaticky vráti do polohy zapnutia ON. Pred pokusom o reštartovanie výrobku počkajte 7 sekúnd, aby ste sa uistili, že sa vypínač resetoval.

## Používanie dýzy

- Keď potrebujete presnosť a silno koncentrovaný prúd vzduchu, používajte štandardnú dýzu. (Obr. 29)
- Keď potrebujete širší prúd a vyššiu rýchlosť vzduchu, používajte vysokorýchlostnú dýzu. (Obr. 30)

## Úprava dýzy fúkača

1. Otočením dýzy doľava uvoľníte bajonetový spoj.
2. Posuňte dýzu do príslušnej polohy.
3. Otočte dýzu doprava, kým nezacítite kliknutie.

## Vysávanie

Pred vysávaním si nasadte bezpečnostné vybavenie.



**VÝSTRAHA:** Pred použitím sa uistite, že zberný vak nie je poškodený a že zips je zatvorený. Nepoužívajte poškodený vak. Zabráňte tak zraneniu spôsobenému odletujúcimi nečistotami. Ovládanie ľavou rukou zvyšuje riziko. Telom sa nedotýkajte výfukovej oblasti.



**VÝSTRAHA:** Nespúšťajte fúkač, ak je kryt vstupného bloku otvorený alebo poškodený (okrem prípadov, keď je pripojená vysávacía trubica).

- Pri práci s fúkačom musíte zberný vak držať pomocou ramenného popruhu. Popruh musíte mať hore na ramene.
- Spustíte fúkač. Riadte sa pokynmi v časti o spustení a zastavení *Zapnutie a vypnutie na strane 250*. Starostlivo si prečítajte bezpečnostné pokyny *Bezpečnosť na strane 246*.

## Vyprázdnenie zberného vaku



**VÝSTRAHA:** Zberný vak vždy skontrolujte. Pred použitím sa uistite, že nie je poškodený a že zips je zatvorený. Ak je vak poškodený, nepoužívajte ho. Hrozí nebezpečenstvo poranenia spôsobené odletujúcimi nečistotami. Dávajte pozor, hlavne pri obsluhu ľavou rukou. Nedotýkajte sa výfukovej oblasti.

1. Vypnite výrobok.
2. Otvorte zips naboku.
3. Vyprázdňte zberný vak.
4. Zatvorte zips.

## Údržba



**VÝSTRAHA:** Pred čistením, opravou a údržbou výrobku si prečítajte kapitolu o bezpečnosti a uistite sa, že rozumiete informáciám, ktoré sú v nej uvedené.

## Plán údržby

Uistite sa, že dodržiavate plán údržby. Intervaly sú vypočítané na základe každodenného používania výrobku. Ak výrobok nepoužívate každý deň, intervaly sa líšia. Vykonávajte len údržbu uvedenú v tomto návode. V súvislosti s inými prácami súvisiacimi

s údržbou, ktoré nie sú uvedené v tomto návode, kontaktujte schválené servisné stredisko.

### Denná údržba

- Vyčistíte vonkajšie povrchy.
- Preskúšajte reguláciu rýchlosti a fungovanie páčky plynu. Vymeňte poškodené časti
- Skontrolujte vypínač. V prípade potreby ho vymeňte.
- Skontrolujte voľnoobežné otáčky.
- Vyčistíte vzduchový filter. V prípade potreby ho vymeňte.
- Uistite sa, že kryt vstupného bloku možno uzamknúť v zatvorenej polohe. Uistite sa, že ventilátor je čistý.

- Dotiahnite všetky matice a skrutky.
- Uistite sa, či kryty nie sú popraskané.
- Uistite sa, že zberný vak nie je poškodený a že zips funguje. Ak je to nutné, vymeňte vak.

### Týždenná údržba

- Skontrolujte stav štartéra, štartovacieho lanka a napínacej pružiny. Vymeňte akékoľvek poškodené súčiastky.
- Skontrolujte stav privodu vzduchu na štartéri. Ak je vstup vzduchu zablokovaný, odstráňte nečistoty.
- Vyčistite vonkajšiu časť zapaľovacej sviečky. Odmontujte ju a skontrolujte medzeru medzi elektródami. Nastavte medzeru na 6 mm alebo vymeňte zapaľovaciu sviečku.
- Očistite lopatky ventilátora.
- Očistite lapač iskier a v prípade potreby ho vymeňte (neplatí pre tlmíče výfuku s katalyzátorom).
- Vyčistite oblasť karburátora.
- Vyčistite vzduchový filter.

### Mesačná údržba

- Skontrolujte rukoväť štartovacieho lanka a štartovacie lanko.
- Vyčistite palivovú nádrž.
- Vyčistite ventilátor a jeho okolie.
- Očistite lopatky ventilátora.
- Skontrolujte trubičky paliva, či nie sú prasknuté alebo inak poškodené. Podľa potreby ho vymeňte
- Vymeňte palivový filter v palivovej nádrži.
- Skontrolujte všetky káble a konektory.
- Vymeňte zapaľovaciu sviečku.
- Vymeňte vzduchový filter.

### Ročná údržba

- Skontrolujte zapaľovaciu sviečku.
- Vyčistite vonkajší povrch karburátora a príslušné miesta.
- Vyčistite chladiaci systém.
- Skontrolujte kryt na ochranu pred iskrami.
- Skontrolujte palivový filter.
- Skontrolujte, či nie je poškodená palivová hadica.
- Skontrolujte všetky káble a konektory.

### Údržba po 50 hodinách

- Požiadajte schválené servisné stredisko o opravu alebo výmenu tlmíča výfuku.

## Nastavenie voľnobežných otáčok

- Pred nastavením voľnobežných otáčok sa uistite, že je čistý vzduchový filter a pripevnený kryt vzduchového filtra.
- Pomocou nastavovacej skrutky T voľnobehu (označená písmenom „T“) nastavte voľnobežné otáčky.
- Voľnobežné otáčky sú nastavené správne, ak motor beží plynulo vo všetkých polohách.

(Obr. 31)

1. Ak chcete vyššiu rýchlosť, otočte nastavovaciu skrutku voľnobehu v smere hodinových ručičiek.
2. Ak chcete nižšiu rýchlosť, otočte nastavovaciu skrutku voľnobehu proti smeru hodinových ručičiek.

## Údržba krytu na ochranu pred iskrami

Kryt na ochranu pred iskrami vyčistite pomocou drôtenej kefy.

## Čistenie chladiaceho systému

(Obr. 32)

Súčasti chladiaceho systému vyčistite pomocou kefy.

## Kontrola zapaľovacej sviečky



**VAROVANIE:** Vždy používajte odporúčaný typ zapaľovacej sviečky. Nesprávny typ zapaľovacej sviečky môže spôsobiť poškodenie výrobku.

- Ak má motor slabý výkon, ťažko sa štartuje alebo pri voľnobežných otáčkach nefunguje správne, skontrolujte zapaľovaciu sviečku.
- Ak chcete znížiť riziko prítomnosti neželaného materiálu na elektródach zapaľovacej sviečky, postupujte takto:
  - a) Uistite sa, že voľnobežné otáčky sú správne nastavené.
  - b) Uistite sa, že používate správnu zmes paliva.
  - c) Uistite sa, že je čistý vzduchový filter.
- Ak je zapaľovacia sviečka znečistená, očistite ju a skontrolujte, či je medzera medzi elektródami správna. Pozrite si časť *Technické údaje na strane 253*. (Obr. 33)
- V prípade potreby vymeňte zapaľovaciu sviečku.

## Údržba vzduchového filtra

### Čistenie vzduchového filtra

1. Odstráňte kryt vzduchového filtra a vzduchový filter. (Obr. 34)
2. Očistite vzduchový filter teplou mydlovou vodou. Pred opätovným vložením sa uistite, že je vzduchový filter suchý.
3. Ak je vzduchový filter príliš znečistený a nie je možné ho vyčistiť, vymeňte ho. Poškodený vzduchový filter vždy vymeňte.
4. Ak je výrobok vybavený penovým vzduchovým filtrom, použite olej vzduchového filtra. Olej vzduchového filtra aplikujte len na penový vzduchový filter. Neaplikujte olej na plstený filter.

## Technické údaje

	jednotka	125B (125B28HV)	125BX (125B28HV)	125BVX (125B28HV)
<b>Technické údaje motora</b>				
Zdvihový objem valca	cm <sup>3</sup>	28	28	28
Medzera medzi elektródami	mm	0,6	0,6	0,6
Objem palivovej nádrže	cm <sup>3</sup>	500	500	500
Voľnobežné otáčky	min. <sup>-1</sup>	2 800 – 3 200	2 800 – 3 200	2 800 – 3 200
Maximálny výkon pri otáčkach	min. <sup>-1</sup>	8 000	8 000	8 000
Výstupný výkon	kW	0,8	0,8	0,8
Zapaľovacia sviečka		Champion RCJ-6Y	Champion RCJ-6Y	Champion RCJ-6Y
Režim fúkania maximálnou rýchlosťou	min. <sup>-1</sup>	8 600	8 600	8 600
Režim vysávania maximálnou rýchlosťou	min. <sup>-1</sup>	--	7 500	7 500
Čas emisnej trvanlivosti	h	50	50	50
<b>Údaje o hluku a vibráciách</b>				
Ekvivalentná hladina vibrácií na rukovätiach, s fúkacími trubicami a dýzou (originál) – pozrite si poznámku 1	m/s <sup>2</sup>	11,03	11,03	11,03
Ekvivalentná hladina vibrácií na rukovätiach, s vysávacími trubicami (originál) – pozrite si poznámku 1	m/s <sup>2</sup>	--/--	12,16/12,29	12,16/12,29
Ekvivalentná hladina akustického tlaku pri uchu obsluhujúceho pracovníka meraná v súlade s normou ISO 22868, vybavené fúkacími trubicami a dýzou (originál) – pozrite si poznámku 3	dB(A)	96	96	96
Akustický tlak pri uchu osoby v blízkosti meraný v súlade s normou ANSI B175.2, vybavené fúkacími trubicami a dýzou (originál)	dB(A)	71	71	71
Nameraná hladina akustického výkonu – pozrite si poznámku 2	dB(A)	109	109	109
Zaručená hladina akustického výkonu (L <sub>WA</sub> ) – pozrite si poznámku 2	dB(A)	112	112	112
<b>Rozmery výrobku</b>				
Hmotnosť (bez paliva, s fúkacou trubicou a nasadenou štandardnou dýzou)	kg	4,3	4,4	4,4

**Poznámka 1:** Uvádzané údaje pre ekvivalentnú hladinu vibrácií majú typický štatistický rozptyl (štandardnú odchýlku) 1 m/s<sup>2</sup>.

**Poznámka 2:** Emisie hluku merané ako akustický výkon ( $L_{WA}$ ) v súlade s európskou smernicou 2000/14/ES. Uvádzaná hladina akustického výkonu pre stroj bola meraná s originálnym nadstavcom, ktorý produkuje najvyššiu úroveň. Rozdiel medzi zaručeným a nameraným akustickým výkonom spočíva v tom, že zaručený akustický výkon zahŕňa aj rozptyl výsledkov merania a rozdiely medzi jednotlivými strojmi rovnakého modelu v súlade so smernicou 2000/14/ES.

**Poznámka 3:** Uvádzané údaje pre ekvivalentnú hladinu akustického tlaku majú typický štatistický rozptyl (štandardnú odchýlku) 1 dB (A).

Ventilátor	Jednotka	125B	125BX	125BVX
Typ		Radiálny ventilátor	Radiálny ventilátor	Radiálny ventilátor
Max. rýchlosť vzduchu, štandardná dýza	km/h	217	217	217
Max. rýchlosť vzduchu, vysokorychlostná dýza*	km/h	273	273	273
Prietok vzduchu v režime fúkania	cfm	425	425	425
Prietok vzduchu v režime vysávania	cfm	--	445	445

\* voliteľné príslušenstvo pri niektorých modeloch

## Príslušenstvo

125B, 125BX, 125BVX	
<b>Schválené príslušenstvo</b>	<b>Typ</b>
Súprava na čistenie odkvapov	952 711 918
125BX, 125BX	
<b>Schválené príslušenstvo</b>	<b>Typ</b>
Súprava vysávača	952 711 913
125B	
<b>Schválené príslušenstvo</b>	<b>Typ</b>
Vysokorychlostná dýza	545 119 501

## Obsah vyhlásenia o zhode ES

V mene spoločnosti Husqvarna AB, SE 561 82  
Husqvarna, SWEDEN, vyhlasujeme s plnou  
zodpovednosťou, že reprezentovaný produkt:

<b>Popis</b>	<b>Gasoline Blower/ Blower-Vacuum</b>
Značka	Husqvarna
Platforma/Typ/Model	Platforma 125B28HV, reprezentuje model 125B, 125BX, 125BVX
Séria	Výrobné číslo z roku 2019 a nasledujúcich rokov

plne spĺňa nasledujúce smernice a nariadenia EÚ:

<b>Smernice/Nariadenia</b>	<b>Popis</b>
2006/42/EC	„o strojových zariadeniach“
2014/30/EC	„týkajúca sa elektromagnetickej kompatibility“
2000/14/EC	„týkajúca sa hluku vo voľnom priestranstve“
2011/65/EU	„o obmedzení používania určitých nebezpečných látok“

Spĺňa nasledujúce platné harmonizované normy a/alebo technické špecifikácie: EN ISO 12100, EN ISO 1186-1, CISPR 12, ISO 14982, EN 50581

V súlade s ustanovením prílohy V smernice 2000/14/EC sú deklarované úrovne hluku uvedené v časti o technických údajoch tohto návodu na obsluhu a v podpísanom Vyhlásení o zhode ES.

Spoločnosť Intertek vykonala nepovinnú skúšku v mene spoločnosti Husqvarna AB a udelila Certifikát zhody so smernicou Rady ES 2006/42/EC o strojových zariadeniach.

V zmysle Vyhlásenia o zhode ES je tento certifikát platný pre všetky miesta výroby a krajiny pôvodu, ako sú vyznačené na produkte.

Dodávaný výrobok Gasoline Blower/ Blower-Vacuum sa zhoduje so vzorkou, ktorá prešla skúškou.

---

# VSEBINA

---

Uvod.....	256	Vzdrževanje.....	262
Varnost.....	257	Tehnični podatki.....	263
Montaža.....	260	Dodatna oprema.....	265
Delovanje.....	260	Vsebina izjave ES o skladnosti.....	265

---

## Uvod

---

### Navodila za uporabo

Originalni jezik teh navodil za uporabo je angleščina. Navodila za uporabo v drugih jezikih so prevodi iz angleščine.

(Sl. 1)

1. Naramnica (125BVX)
2. Ročica plina
3. Stikalo za zaustavitev
4. Nadzor hitrosti
5. Ohišje ventilatorja
6. Pokrovček rezervoarja za gorivo
7. Zračni filter
8. Dušilna loputa
9. Membrana črpalke za gorivo
10. Pokrov sesalne odprtine
11. Ročica sesalnika (125BX in 125BVX)
12. Rezila (125BX in 125BVX)
13. Rotor ventilatorja
14. Standardna šoba
15. Visokohitrostna šoba (125BX in 125BVX)
16. Cev pihalnika
17. Vijak za pritrditev cevi
18. Maticice za pritrditev cevi
19. Dušilnik
20. Ozemljitveni vodnik
21. Ročica zaganjalnika
22. Zaganjalnik
23. Vijaki za prilagoditev uplinjača
24. Navodila za uporabo
25. Sesalnik z zbiralnimi komponentami, ki ga sestavljajo spodaj navedeni elementi 26–30
26. Cev zbiralne vreče
27. Zbiralna vreča
28. Dvodelna sesalna cev
29. Vijaki
30. Naramnica

### Znaki na izdelku

- (Sl. 2) Opozorilo  
(Sl. 3) Preberite ta navodila

### Pregled

- (Sl. 4) Uporabljajte odobreno zaščito za sluh  
(Sl. 4) Uporabljajte odobreno zaščito oči  
(Sl. 4) Uporabljajte odobreno protiprašno masko  
(Sl. 5) Uporabljajte odobrene zaščitne rokavice  
(Sl. 6) Izdelek lahko povzroči izmet predmetov, ki lahko poškodujejo oči  
(Sl. 7) Varna razdalja  
(Sl. 8) Ne približujte se rotorju med vrtenjem  
(Sl. 9) Otroci se ne smejo zadrževati v bližini izdelka  
(Sl. 10) Nivo zvočne moči  
(Sl. 11) Raven hrupa  
(Sl. 12) Dolge lase spnite nad rameni  
(Sl. 13) Izdelek je skladen z veljavnimi direktivami ES  
(Sl. 14) Izdelek je skladen z veljavnimi direktivami EAC  
(Sl. 15) Izdelek je skladen z veljavnimi direktivami Ukrajine

---

**Opomba:** Ostali simboli in oznake na izdelku se nanašajo na zahteve za certifikacijo, ki veljajo za druga komercialna območja.

---

### Stopnja emisij Euro V

---



**OPOZORILO:** Zaradi predelave motorja se razveljavi EU-homologacija tega izdelka.

---

### Odgovornost proizvajalca

Kot je navedeno v zakonodaji, ki ureja odgovornost proizvajalca, ne prevzemamo nikakršne odgovornosti za



poškodbe, ki bi jih naši izdelki povzročili v naslednjih primerih:

- Izdelek ni pravilno popravljen.
- Izdelek je popravljen z deli, ki jih ni izdelal ali odobril proizvajalec.

- Na izdelku je nameščena dodatna oprema, ki je ni izdelal ali odobril proizvajalec.
- Izdelek ni bil popravljen v pooblaščenem servisnem centru ali pri pooblaščenem organu.

---

## Varnost

---

### Varnostne definicije

Spodnje definicije označujejo stopnjo resnosti posameznih opozorilnih besed.



**OPOZORILO:** Poškodbe oseb.



**POZOR:** Poškodbe izdelka.

**Opomba:** Te informacije olajšajo uporabo izdelka.

### Splošna varnostna navodila



**OPOZORILO:** Pred uporabo izdelka preberite navodila v povezavi z opozorili v nadaljevanju.

- Izdelek uporabljajte pravilno. Če izdelka ne uporabljate pravilno, lahko pride do poškodb ali smrti. Izdelek uporabljajte samo za opravila, ki so navedena v tem priročniku. Izdelka ne uporabljajte za druga opravila.
- Sledite navodilom v tem priročniku. Upoštevajte varnostne simbole in navodila. Če uporabnik ne upošteva navodil in simbolov, lahko pride do poškodb ali smrti.
- Priročnika ne zavrzite. Sledite navodilom pri sestavljanju, uporabi in vzdrževanju izdelka v brezhibnem stanju. Navodila uporabljajte za pravilno namestitve priključkov in dodatne opreme. Uporabljajte samo odobrene priključke in dodatno opremo.
- Ne uporabljajte poškodovanega izdelka. Sledite urniku vzdrževanja. Izvajajte samo postopke vzdrževanja, za katere ta priročnik vsebuje navodila. Vse druge postopke vzdrževanja mora izvesti pooblaščen servisni center.
- Ta priročnik ne more vsebovati vseh okoliščin, do katerih lahko pride pri uporabi izdelka. Bodite previdni in ravnajte razumno. Če niste prepričani glede določenih okoliščin, izdelka ne uporabljajte oziroma na izdelku ne izvajajte postopkov vzdrževanja. Za informacije se obrnite na strokovnjaka za izdelek, prodajalca, pooblaščen servisno delavnico ali servisni center.
- Pred sestavljanjem, skladiščenjem in vzdrževanjem izdelka odklopite kabel vžigalne sveče.
- Izdelka ne uporabljajte, če so se spremenile njegove originalne specifikacije. Ne spreminjajte delov izdelka brez vnaprejšnje odobritve proizvajalca izdelka. Uporabljajte samo dele, ki jih je odobril proizvajalec. Zaradi neustreznega vzdrževanja lahko pride do poškodb ali smrti.
- Ne vdihavajte plinov iz motorja. Dolgotrajno vdihavanje izpušnih plinov motorja je zdravju nevarno.
- Izdelka nikoli ne zaganjajte v zaprtih prostorih ali v bližini vnetljivih materialov. Izpušni plini so vroči in lahko vsebujejo iskre, ki lahko povzročijo požar. Nezadosten pretok zraka lahko povzroči poškodbe ali smrt zaradi zadušitve ali zastrupitve z ogljikovim monoksidom.
- Pri uporabi tega izdelka motor ustvari elektromagnetno polje. Elektromagnetno polje lahko poškoduje medicinske vsadke. Pred uporabo izdelka se posvetujte z zdravnikom in proizvajalcem medicinskih vsadkov.
- Izdelka ne smejo uporabljati otroci. Izdelka ne smejo uporabljati osebe, ki ne poznajo navodil za uporabo.
- Če izdelek uporabljajo osebe z zmanjšanimi fizičnimi ali intelektualnimi sposobnostmi, jih morate nenehno nadzorovati. Vedno mora biti prisotna odgovorna odrasla oseba.
- Izdelek zaklenite na mesto, kamor otroci in nepooblaščen osebe nimajo dostopa.
- Izdelek lahko povzroči izmet predmetov, zaradi česar lahko pride do poškodb. Upoštevajte varnostna navodila, da zmanjšate nevarnost poškodb ali smrti.
- Ko je motor vklopljen, se ne oddaljajte od izdelka.
- Za morebitne nesreče je odgovoren uporabnik izdelka.
- Pred uporabo izdelka se prepričajte, da deli izdelka niso poškodovani.
- Pred uporabo izdelka se prepričajte, da ste od drugih oseb ali živali oddaljeni najmanj 15 m (50 čevljev). Osebe v bližini obvestite, da izdelek nameravate uporabljati.
- Ravnajte v skladu z nacionalno ali lokalno zakonodajo. Ta lahko v določenih primerih prepreči ali omeji uporabo izdelka.
- Izdelka ne uporabljajte, ko ste utrujeni, ali pod vplivom alkohola, drog ali zdravil. Lahko vplivajo na vid, pozornost, koordinacijo ali presojo.

## Zaščita pred vibracijami

Izdelek je namenjen izključno občasni uporabi. Nprekinjena ali redna uporaba izdelka lahko povzroči delno prekinitev prekrvavitve prstov ali enakovredne zdravstvene težave zaradi vibracij. Pred neprekinjeno ali redno uporabo izdelka preglejte stanje svojih rok in prstov. Če roke ali prsti izgubijo barvo, v njih čutite bolečino ali mravljinice ali so otopeli, prenehajte z delom in se nemudoma posvetujte z zdravnikom.

## Varnostni napotki za upravljanje pihalnika

- Izdelek uporabljajte samo za pihanje ali odstranjevanje listja in drugih smeti na tleh.
- Ko ste utrujeni, bolni ali ste uživali alkohol, mamila ali zdravila, izdelka ne uporabljajte.
- Opazovalci ali živali morajo biti vsaj 15 m (50 čevljev) oddaljeni od uporabnika.
- Izdelek lahko pri visoki hitrosti izmetava predmete, ki se lahko odbijejo nazaj in poškodujejo uporabnika. Ob tem lahko pride do poškodb oči.
- Šobe pihalnika ne usmerite proti osebam ali živalim.
- Dolge lase spnite nad rameni.
- Pred sestavljanjem ali razstavljanjem dodatne opreme ali drugih komponent zaustavite motor.
- Izdelka ne uporabljajte brez ščitnika.
- Izdelka ne uporabljajte, če so na delovnem območju druge osebe. Če na delovno območje vstopi druga oseba, izdelek izklopite.
- Izdelka ne uporabljajte v prostoru z nezadostnim pretokom zraka. Če je pretok zraka nezadosten, lahko povzroči poškodbe ali smrt zaradi zadušitve ali zastrupitve z ogljikovim monoksidom.
- Dušilnik je zelo vroč, kadar izdelek deluje, ko se zaustavi in kadar deluje v prostem teku. V bližini vnetljivih materialov in hlapov ravnajte previdno.
- Ne dotikajte se območja pokrova sesalne odprtine. Nakit in ohlapna oblačila ne smejo biti v bližini sesalne odprtine.
- Vedno ohranite ustrezno stojišče in izdelek uporabljajte samo na varnih in ravnih površinah. Na zdrsljivih in nestabilnih površinah, kot so lestve, lahko izgubite ravnotežje ali nadzor.
- Izdelka ne uporabljajte na visokih delovnih območjih, kot je streha.
- Med prevozom naj bo izdelek pritrjen.
- Izdelek uporabljajte le ob priporočenih urah. Upošteвайте lokalne predpise. Običajno priporočene ure so od 09:00 do 17:00, od ponedeljka do sobote.
- Izdelek pri delu uporabljajte pri najnižji hitrosti.
- Zagotovite, da pri uporabi izdelka ne morete pasti. Izdelka med uporabo ne nagibajte.
- Pred uporabo mora biti izdelek v dobrem stanju, zlasti dušilnik, dovod zraka in zračni filter.
- Pred uporabo izdelka z grabljami in metlo zrahljajte delce na tleh.

- Če je delovno območje umazano, ga razpršite s cevjo.
- Izdelek uporabljajte namesto cevi, da privarčujete z vodo.
- Varno izpihajte delce. Bodite pozorni na otroke, živali, odprta okna ali vozila.
- Izdelka ne usmerite v rastline, ki se zlahka poškodujejo.
- Zraka ne pihajte v smeri predmetov, kot so stene, veliki kamni, vozila in ograje.
- Če izdelek uporabljate v notranjosti kotov, pihajte iz kota v središče delovnega območja. V nasprotnem primeru vas delci lahko zadenejo v obraz, zato lahko pride do poškodb oči.
- Uporabljajte celoten podaljšek šobe pihalnika, da bo zračni curek blizu tal.
- Opazovalci morajo uporabljati zaščito za oči.
- Po uporabi izdelka delce odvrzite v zabojnike za smeti.

## Varnostni napotki za upravljanje sesalnika

- Preprečite poškodbe ventilatorja. Ne sesajte velikih in trdih predmetov, kot so les, pločevinke, gumijasto lubje ali dolgi konci vrvi.
- Sesalna cev ne sme priti v stik s tlemi.
- Preden odstranite blokado ali zamašeni material, zaustavite motor in odvijte vžigalno svečko.

## Osebna zaščitna oprema

- Pri uporabi izdelka vedno uporabljajte ustrezno osebno zaščitno opremo. Uporaba osebne zaščitne opreme ne odpravi vseh morebitnih nevarnosti poškodb. Osebna zaščitna oprema zmanjša stopnjo resnosti poškodb v primeru nesreče.
- Pri uporabi izdelka vedno uporabljajte odobreno zaščito oči.
- Izdelka ne uporabljajte bosi ali z odprto obutvijo. Vedno uporabljajte trpežno obutev, ki ne drsi.
- Oblečene imejte trpežne, dolge hlače.
- Po potrebi uporabljajte odobrene zaščitne rokavice.
- Če obstaja nevarnost poškodb zaradi padajočih predmetov, nosite čelado.
- Pri uporabi izdelka vedno uporabljajte odobreno zaščito za sluh. Dolgotrajen hrup lahko povzroči izgubo sluha.
- Kadar izdelek uporabljate v prašnem okolju, vedno uporabljajte odobreno protiprašno masko.
- Zagotovite, da je v bližini komplet prve pomoči.

## Varnostne naprave na izdelku

- Izdelek morate redno vzdrževati.
  - Življenjska doba izdelka se podaljša.
  - Nevarnost nesreč se zmanjša.

Pooblaščen prodajalec ali pooblaščen servisni center naj izdelek redno pregleduje in izvaja nastavitve ter popravila.

- Izdelka ne uporabljajte s poškodovano zaščitno opremo. Če je izdelek poškodovan, se obrnite na pooblaščen servisni center.

## Izklopno stikalo

Zaženite motor. Motor se mora izklopiti, ko izklopno stikalo premaknete v položaj za izklop.

(Sl. 16)

## Dušilnik



**OPOZORILO:** Vročega dušilnika se ne dotikajte. Dušilnik je zelo vroč, kadar motor deluje in ko se zaustavi. Če se dotaknete dušilnika, se lahko opečete.

- Če je dušilnik poškodovan, motorja ne zaganjajte. Poškodovan dušilnik zviša nivo hrupa in poveča nevarnost požara. V bližini vedno imejte gasilni aparat.
- Redno pregledujte, ali ima izdelek nameščen dušilnik.
- Motorja ali dušilnika se ne dotikajte, ko je motor vklopljen. Motorja ali dušilnika se nekaj časa po zaustavitvi motorja ne dotikajte. Če se dotikate vročih površin, lahko pride do poškodb.
- Vroč dušilnik lahko povzroči požar. Bodite previdni, če izdelek uporabljate v bližini vnetljivih tekočin ali hlapov.
- Če je dušilnik poškodovan, se ne dotikajte njegovih notranjih delov. Ti deli lahko vsebujejo določene rakotvorne kemikalije.
- Nekateri modeli pihalnikov so opremljeni z lovilnikom isker. Lovilnik očistite in zamenjajte v določenih intervalih. Glejte razdelek Vzdrževanje (*Vzdrževanje na strani 262*).

(Sl. 17)

## Varnost pri delu z gorivom

- Če so na izdelku ostanki goriva ali motornega olja, izdelka ne zaganjajte. Očistite ostanke goriva/olja in počakajte, da se izdelek posuši. Očistite ostanke goriva z izdelka.
- Če se z gorivom polijete po obleki, se nemudoma preoblecite.
- Pazite, da goriva ne polijete po telesu, saj lahko pride do poškodb. Če gorivo polijete po telesu, se očistite z milom in vodo.
- Če se je olje ali gorivo polilo po izdelku ali po vašem telesu, ne zaganjajte motorja.

- Če motor pušča, izdelka ne zaganjajte. Redno preverjajte, ali motor pušča.
- Z gorivom ravnajte previdno. Gorivo je vnetljivo, hlapi pa so eksplozivni, zato lahko pride do poškodb ali smrti.
- Ne vdihavajte hlapov goriva, saj lahko pride do poškodb. Zagotovite zadosten pretok zraka.
- V bližini goriva ali motorja ne kadite.
- Vročih predmetov ne postavljajte v bližino goriva ali motorja.
- Goriva ne dolivajte, ko je motor vklopljen.
- Pred dolivanjem goriva se prepričajte, da je motor ohlajen.
- Pred dolivanjem počasi odprite pokrovček posode za gorivo in previdno sprostite pritisk.
- Goriva ne dolivajte v zaprtih prostorih. Ne zadosten pretok zraka lahko povzroči poškodbe ali smrt zaradi zadušitve ali zastrupitve z ogljikovim monoksidom.
- Skrbno privijte pokrovček posode za gorivo, da ne pride do požara.
- Preden izdelek vklopite, ga premaknite najmanj 3 m (10 čevljev) stran od mesta, kjer ste napolnili posodo za gorivo.
- V posodo za gorivo ne nalijte preveč goriva.
- Prepričajte se, da med premikanjem izdelka ali posode za gorivo ne more priti do iztekanja.
- Izdelka ali posode za gorivo ne postavljajte v bližino odprtega ognja, isker ali indikatorskih lučk. Prepričajte se, da izdelek med skladiščenjem ni izpostavljen odprtemu ognju.
- Pri premikanju ali skladiščenju goriva uporabljajte samo odobrene posode.
- Pred dolgotrajnim skladiščenjem izpraznite posodo za gorivo. Pri odlaganju goriva ravnajte v skladu z lokalno zakonodajo.
- Pred dolgotrajnim skladiščenjem izdelek očistite.
- Pred skladiščenjem odstranite kabel vžigalne svečke, da preprečite nenameren zagon motorja.

## Varnostna navodila za vzdrževanje



**OPOZORILO:** Zaradi neustreznega vzdrževanja lahko pride do težkih poškodb motorja ali telesnih poškodb.

Lastnik je odgovoren za izvedbo vseh potrebnih vzdrževalnih del, kot je navedeno v navodilih za uporabo. Pred vsakim vzdrževalnim posegom odvijte vžigalno svečko. Pred nastavljanjem uplinjača ne odvijte vžigalne svečke.

---

# Montaža

---



**OPOZORILO:** Pred sestavljanjem izdelka preberite poglavje o varnosti.

---

## Namestitev cevi in šobe pihalnika na izdelek

---

**Opomba:** Vijak mora biti ustrezen odvit, da cev pihalnika lahko vstavite v izhod. Vijak zavrtite v nasprotni smeri urinega kazalca, da ga nekoliko odvijete.

1. Rebno na zgornji cevi pihalnika poravnajte z utorom v izhodu pihalnika. Cev premaknite v položaj.
2. Vijak zavrtite v smeri urinega kazalca, da namestite cev.

**Opomba:** Matice ne privijte z orodjem.

3. Zareze na spodnji cevi pihalnika poravnajte z oznakami na zgornji cevi. Spodnjo cev premaknite na zgornjo cev.
4. Spodnjo cev pihalnika zavrtite v smeri urinega kazalca, dokler se ne zaskoči.

---

## Namestitev zbiralne vreče z različnimi sesalnimi cevmi

---



**OPOZORILO:** Preden cevi namestite na izdelek, izklopite motor.

---

## Sestavljanje zbiralne vreče

---

1. Odprite zbiralno vrečo.
2. Cev zbiralne vrečke vstavite iz notranjosti vrečke in pritrđite vakuumsko vstopno odprtino vrečke.
3. Elastična vrstica mora biti v utoru (A).
4. Zaprite zadrĝo na vrečki. (Sl. 18)

---

## Namestitev cevi zbiralne vreče

1. Odstranite cev pihalnika, če je nameščena.
2. Rebno na cevi zbiralne vreče (A) poravnajte z utorom v izhodu pihalnika (B).
3. Cev zbiralne vreče potisnite do konca na izhod pihalnika.
4. Matico (C) vstavite v odprtino.
5. Vstavite vijak (D) in ga zategnite z izvijačem, da tako namestitev cevi. (Sl. 19)

---

## Sestavljanje sesalnih cevi

1. Puščico na spodnji sesalni cevi (A) poravnajte s puščico na zgornji cevi (B).
2. Spodnjo sesalno cev potisnite v v zgornjo sesalno cev.
3. Z izvijačem privijte samorezni vijak (C), ki skrbi za pritrđitev cevi. (Sl. 20)

---

## Namestitev sesalnih cevi

1. Konico izvijača vstavite v zaklepni del sesalne odprtine.
2. Obračajte izvijač za sprostitev zapaha. (Sl. 21)
3. Pokrov sesalne odprtine pustite odprt, dokler ne namestite zgornje sesalne cevi.
4. Rebra na notranjem delu sesalne odprtine poravnajte z zarezami na zgornji sesalni cevi. Znak za zaklep na cevi se mora poravnati z znakom za odklepanje na vhodni sesalni odprtini. (Sl. 22)
5. Zgornjo sesalno cev do konca potisnite v sesalno odprtino.
6. Zgornjo sesalno cev obrnite v smeri vrtenja urinih kazalcev, dokler znak za zaklep ni poravnat z znakom za zaklepanje na vhodni sesalni odprtini. Ko je cev pravilno nameščena je mogoče slišati klik. (Sl. 23)

---

# Delovanje

---



**OPOZORILO:** Pred uporabo izdelka morate prebrati in razumeti poglavje o varnosti.

---

## Gorivo

---

### Uporaba goriva

---



**POZOR:** Ta izdelek ima dvotaktni motor. Uporabite mešanico bencina in motornega olja za dvotaktno motorje. Mešanica mora vsebovati ustrežno količino olja. Če je

razmerje med bencinom in oljem neustrezno, lahko pride do poškodb motorja.

---

## Bencin



**POZOR:** Ne uporabljajte bencina, ki ima oktansko število nižje od 90 RON (87 AKI). Izdelek se lahko tako poškoduje.



**POZOR:** Ne uporabljajte bencina, ki ima koncentracijo etanola (E10) višjo od 10 %. Izdelek se lahko tako poškoduje.



**POZOR:** Ne uporabljajte osvinčenega bencina. Izdelek se lahko tako poškoduje.

- Vedno uporabljajte nov neosvinčeni bencin z oktanskim številom, nižjim od 90 RON (87 AKI), in s koncentracijo etanola, nižjo od 10 % (E10).
- Če izdelek pogosto uporabljate pri visokem številu vrtljajev motorja, uporabljajte bencin z višjim oktanskim številom.
- Vedno uporabljajte kakovostno mešanico neosvinčenega bencina/olja.

### Motorno olje za dvotaktne motorje

- Uporabljajte samo visokokakovostno motorno olje za dvotaktne motorje. Uporabljajte samo motorno olje za zračno hlajene motorje.
- Ne uporabljajte drugih vrst olja.
- Razmerje mešanice: 50 : 1 (2 %).

Bencin	Olje
1 galona	77 ml (2,6 unče)
1 britanska galona	95 ml (3,2 unče)
5 l	100 ml (3,4 unče)

### Ustvarjanje mešanice goriva

**Opomba:** Za mešanje goriva vedno uporabljajte čisto posodo za gorivo.

**Opomba:** Zagotovite, da je mogoče količino mešanice goriva, ki jo ustvarite, porabiti v 30 dneh.

1. Dodajte polovico količine bencina.
2. Dodajte celotno količino olja.
3. Posodo z mešanico goriva pretresite, da se vsebina zmeša.
4. Dodajte preostalo količino bencina.
5. Posodo z mešanico goriva pretresite, da se vsebina zmeša.
6. Napolnite rezervoar za gorivo.

### Dolivanje goriva

- Vedno uporabljajte posodo za gorivo z ventilom proti prelivanju.
- Če so na posodi ostanki goriva, posodo očistite in počakajte, da se posuši.
- Zagotovite, da je območje okrog pokrovčka rezervoarja čisto.
- Preden mešanico goriva nalijete v rezervoar za gorivo, posodo za gorivo pretresite.

## Zagon in zaustavitev

### Pred zagonom motorja

- Izdelek preglejte in zagotovite, da na njem ni manjkajočih, poškodovanih ali odvitih delov.
- Preglejte zbiralno vrečo. Zbiralna vreča ne sme biti poškodovana in njena zadruga mora biti zaprta.
- Preglejte matice in vijake.
- Preglejte zračni filter.
- Preglejte ročico plina in zagotovite, da pravilno deluje.
- Preglejte izklopno stikalo in zagotovite, da pravilno deluje.
- Preglejte, ali na izdelku izteka gorivo.

### Zagon hladnega motorja



**OPOZORILO:** Zaganjalne vrvice ne navijajte okoli roke.



**POZOR:** Izdelka ne držite z nogo.



**POZOR:** Zaganjalne vrvice ne povlecite do končnega položaja. Ko je zaganjalna vrstica popolnoma iztegnjena, ne izpusite njene ročice. S tem lahko poškodujete izdelek.

**Opomba:** Če se motor zaustavi, ročico dušilnega ventila premaknite v zaprt položaj in znova izvedite korake za zagon.

1. Rezervoar za gorivo napolnite s čisto mešanico goriva.
2. Desetkrat pritisnite membrano črpalke za gorivo. (Sl. 24)
3. Ročico dušilnega ventila na motorju premaknite v položaj ODP RTEGA ČOKA (zaprt). (Sl. 25)
4. Spremenljivi nadzor hitrosti v celoti potisnite v nasprotni smeri urinega kazalca. (Sl. 26)
5. Z levo roko ogrodje stroja držite na tleh.
6. Povlecite zaganjalno vrstico, dokler se motor ne poskuša zagnati. Zaganjalne ročice ne povlecite več kot 3-krat.
7. Ročico dušilnega ventila premaknite v položaj 1/2 in povlecite ročico zaganjalne vrvice, dokler se motor ne zažene in deluje. (Sl. 27)
8. Motor naj deluje približno 10 sekund.
9. V celoti pritisnite ročico plina in jo pridržite pri vseh preostalih korakih.
10. Ročico dušilnega ventila premaknite v položaj ZAP RTEGA ČOKA (odprt). (Sl. 28)
11. Motor naj se segreva 1 minuto.

## Zagon toplega motorja

1. Pritisnite ročico plina in jo pridržite.
2. Ročico dušilnega ventila potisnite v položaj 1/2.
3. Hitro povlecite zaganjalno vrstico in obenem povlecite ročico plina, da se motor zažene.
4. Ročico dušilnega ventila premaknite v položaj ZAPRTEGA ČOKA (odprt).

## Zaustavitev motorja

- Pritisnite in sprostite izklopno stikalo motorja. Stikalo se samodejno vrne v položaj za VKLOP. Počakajte 7 sekund, preden poskusite znova zagnati izdelek, s čimer se preprečate, da se je stikalo ponastavilo.

## Uporaba šobe

- Kadar potrebujete natančen zračni curek z velikim pretokom zraka, uporabite standardno šobo. (Sl. 29)
- Kadar potrebujete širok zračni curek pri visoki hitrosti, uporabite visokohitrostno šobo. (Sl. 30)

## Nastavljanje šobe pihalnika

1. Šobo zavrtite v levo, da sprostite bajonetni nastavek.
2. Šobo premaknite v ustrezni položaj.
3. Zavrtite šobo v desno, dokler ne začutite klika.

## Sesanje

Pred sesanjem oblecite potrebno varovalno opremo.



**OPOZORILO:** Zbiralna vreča ne sme biti poškodovana in njena zadruga mora biti zaprta pred uporabo. Ne uporabljajte

poškodovane vreče. S tem preprečite poškodbe zaradi letečih delcev. Upravljanje z levo roko poveča nevarnost. S telesom se ne dotikajte območja izpušne odprtine.



**OPOZORILO:** Ne zaženite pihalnika, če je pokrov sesalne odprtine odprt ali poškodovan (razen če je nameščena sesalna cev).

- Med delovanjem pihalnika mora biti zbiralna vreča pritrjena na naramnico. Naramnico nosite na vrhu rame.
- Zaženite pihalnik. Upoštevajte navodila v razdelku za zagon in zaustavitev *Zagon in zaustavitev na strani 261*. Preberite varnostne napotke *Varnost na strani 257*.

## Praznjenje zbiralne vreče



**OPOZORILO:** Vedno preglejte zbiralno vrečo. Ta ne sme biti poškodovana in njena zadruga mora biti zaprta pred uporabo. Ne uporabljajte poškodovane vreče. Zaradi letečih delcev obstaja nevarnost poškodb. Pri upravljanju izdelka z levo roko bodite previdni. Ne dotikajte se območja izpušne odprtine.

1. Izklopite izdelek.
2. Odprite zadrugo ob strani.
3. Izpraznite zbiralno vrečo.
4. Zaprite zadrugo.

## Vzdrževanje



**OPOZORILO:** Pred čiščenjem in izvajanjem popravil ali vzdrževalnih del na izdelku morate prebrati in razumeti poglavje o varnosti.

## Urniki vzdrževanja

Dosledno sledite urniku vzdrževanja. Izračunani intervali veljajo za vsakodnevno uporabo izdelka. Če izdelka ne uporabljate vsak dan, veljajo drugačni intervali. Izvajajte samo postopke vzdrževanja, ki jih vsebuje ta priročnik. Glede drugih postopkov vzdrževanja, ki jih ta priročnik ne vsebuje, se obrnite na pooblaščen servisni center.

### Dnevno vzdrževanje

- Očistite zunanje površine.
- Preglejte delovanje nadzora hitrosti in ročice plina. Zamenjajte poškodovane dele.
- Preglejte izklopno stikalo. Po potrebi ga zamenjajte.
- Preverite hitrost prostega teka.
- Očistite zračni filter. Po potrebi ga zamenjajte.

- Zagotovite, da pokrov sesalne odprtine lahko zaklenete v zaprtem položaju. Rotor mora biti čist.
- Privijte vse matice in vijake.
- Ohišja morajo biti brez razpok.
- Zbiralna vreča ne sme biti poškodovana in njena zadruga mora ustrezno delovati. Po potrebi zamenjajte vrečo.

### Tedenska vzdrževalna opravila

- Preverite stanje zaganjalnika, zaganjalne vrvice in natezne vzmeti. Zamenjajte vse poškodovane dele.
- Preverite stanje dovoda zraka na zaganjalniku. Če je dovod zraka zamašen, odstranite zamašene delce.
- Očistite zunanost vžigalne svečke. Odstranite jo in preverite razdaljo med elektrodama. Razdaljo nastavite na 6 mm (0,024 palca) ali pa zamenjajte svečko.
- Očistite rezila na rotorju.
- Očistite lovilnik isker in ga po potrebi zamenjajte (ne velja za dušilnike s katalizatorjem).
- Očistite območje uplinjača.

- Očistite zračni filter.

### Mesečna vzdrževalna opravila

- Preglejte ročico zaganjalne vrvice in zaganjalno vrvico.
- Očistite rezervoar za gorivo.
- Očistite uplinjač in območje okrog njega.
- Očistite rezila na rotorju.
- Preverite, ali so vodi za gorivo razpokani ali drugače poškodovani. Po potrebi jih zamenjajte.
- Zamenjajte filter za gorivo v rezervoarju za gorivo.
- Preverite vse kable in povezave.
- Zamenjajte svečko.
- Zamenjajte zračni filter.

### Letno vzdrževanje

- Preglejte svečko.
- Očistite zunanjo površino uplinjača in bližnjih območij.
- Očistite hladilni sistem.
- Preglejte lovilnik isker.
- Preglejte filter goriva.
- Preverite, ali je cev goriva poškodovana.
- Preverite vse kable in povezave.

### Vzdrževanje po 50 urah

- Popravilo ali zamenjavo dušilnika naj izvede pooblaščen servisni center.

### Prilagajanje hitrosti prostega teka

- Pred prilagajanjem hitrosti prostega teka zagotovite, da je zračni filter čist in da je nameščen pokrov zračnega filtra.
- Hitrost prostega teka prilagodite s T-vijakom za prilagoditev prostega teka, ki nosi oznako "T".
- Hitrost prostega teka je nastavljena pravilno, ko motor deluje enakomerno v vsakem položaju.

(Sl. 31)

1. Za višjo hitrost vijak za prilagoditev prostega teka zavrtite v smeri urinega kazalca.
2. Za nižjo hitrost vijak za prilagoditev prostega teka zavrtite v nasprotni smeri urinega kazalca.

### Vzdrževalna dela na lovilniku isker

Mrežico lovilnika isker očistite z žično krtačo.

### Čiščenje hladilnega sistema

(Sl. 32)

S krtačo očistite dele hladilnega sistema.

### Pregled svečke



**POZOR:** Vedno uporabljajte priporočeno vrsto svečke. Zaradi neustrezne vrste vžigalne svečke se izdelek lahko poškoduje.

- Če se moč motorja zmanjša, motorja ni mogoče enostavno zagnati ali ta ne deluje ustrezno v prostem teku, preglejte vžigalno svečko.
- Tveganje za pojav oblog na elektrodah vžigalne svečke lahko zmanjšate tako, da upoštevate ta navodila:
  - a) Hitrost prostega teka mora biti pravilno nastavljena.
  - b) Mešanica goriva mora biti ustrezna.
  - c) Zračni filter mora biti čist.
- Če je vžigalna svečka umazana, jo očistite in zagotovite, da je razmak med elektrodama ustrezen; glejte *Tehnični podatki na strani 263*. (Sl. 33)
- Vžigalno svečko po potrebi zamenjajte.

### Vzdrževanje zračnega filtra

#### Čiščenje zračnega filtra

1. Odstranite pokrov zračnega filtra in zračni filter. (Sl. 34)
2. Zračni filter očistite s toplo milnico. Počakajte, da se zračni filter posuši, preden ga znova namestite.
3. Če je zračni filter preveč umazan, da bi ga lahko temeljito očistili, ga zamenjajte. Če je zračni filter poškodovan, ga zamenjajte.
4. Če ima izdelek penasti zračni filter, nanesite olje za zračni filter. Olje za zračni filter nanesite samo na penasti filter. Olja ne nanašajte na filter iz filca.

## Tehnični podatki

	enota	125B (125B28HV)	125BX (125B28HV)	125BVX (125B28HV)
<b>Specifikacije motorja</b>				
Gibna prostornina valja	cm <sup>3</sup>	28	28	28
Razmak med elektrodama	mm	0,6	0,6	0,6
Prostornina posode za gorivo	cm <sup>3</sup>	500	500	500

Število vrtljajev v prostem teku	min <sup>-1</sup>	2800–3200	2800–3200	2800–3200
Najvišja hitrost motorja	min <sup>-1</sup>	8000	8000	8000
Izhodna moč	kW	0,8	0,8	0,8
Svečka		Champion RCJ-6Y	Champion RCJ-6Y	Champion RCJ-6Y
Način najvišje hitrosti pihanja	min <sup>-1</sup>	8600	8600	8600
Način najvišje hitrosti sesanja	min <sup>-1</sup>	–	7500	7500
Čas trajanja emisij	h	125	125	125
<b>Podatki o hrupu in vibracijah</b>				
Ekvivalentna raven vibracij na ročajih s cevmi in šobo pihalnika (originalno) – glejte opombo 1	m/s <sup>2</sup>	11,03	11,03	11,03
Ekvivalentna raven vibracij na ročajih s sesalnimi cevmi (originalnimi), levo/desno – glejte opombo 1	m/s <sup>2</sup>	--/--	12,16/12,29	12,16/12,29
Ekvivalentna raven zvočnega tlaka pri uporabnikovem ušesu, izmerjena v skladu s standardom EN/ISO 22868, pri modelu s cevmi in šobo pihalnika (originalno) – glejte opombo 3	dB (A)	96	96	96
Raven zvočnega tlaka pri ušesih oseb v bližini, izmerjena v skladu s standardom ANSI B175.2, pri modelu s cevmi in šobo pihalnika (originalno)	dB (A)	71	71	71
Izmerjeni nivo hrupa – glejte opombo 2	dB (A)	109	109	109
Zajamčen nivo moči hrupa (L <sub>WA</sub> ) – glejte opombo 2	dB (A)	112	112	112
<b>Mere izdelka</b>				
Teža (brez goriva, vendar z nameščeno cevjo pihalnika in standardno šobo)	kg	4,3	4,4	4,4
<b>Opomba 1:</b> Zabeleženi podatki za ekvivalentno raven vibracij imajo tipično statistično razpršitev (standardni odklon) 1 m/s <sup>2</sup> .				
<b>Opomba 2:</b> Emisije hrupa v okolju, merjene kot moč zvoka (L <sub>WA</sub> ), v skladu z direktivo ES 2000/14/ES. Sporočeni nivo hrupa za napravo je izmerjen z originalnim priključkom, s katerim se doseže najvišji nivo. Razlika med zajamčeno in izmerjeno ravno zvočne moči je v tem, da zajamčena raven zvočne moči, v skladu z direktivo 2000/14/ES, vključuje tudi razpršitev izmerjenih vrednosti in razlike med različnimi napravami istega modela.				
<b>Opomba 3:</b> Podatki za ekvivalentno stopnjo zvočnega tlaka za napravo imajo tipično statistično razpršitev (standardni odklon) v vrednosti 1 dB (A).				

Ventilator	Enota	125B	125BX	125BVX
Vrsta		Krožni ventilator	Krožni ventilator	Krožni ventilator
Najv. hitrost zraka, standardna šoba	km/h	217	217	217
Najv. hitrost zraka, visokohitrostna šoba*	km/h	273	273	273
Način pihanja zraka	kub. čevljev/min	425	425	425
Način sesanja zraka	kub. čevljev/min	–	445	445



\*izbirna dodatna oprema za nekatere modele

## Dodatna oprema

125B, 125BX, 125BVX	
<b>Odobren pribor</b>	<b>Vrsta</b>
Komplet za čiščenje žlebov	952 711 918
125BX, 125BX	
<b>Odobren pribor</b>	<b>Vrsta</b>
Komplet za sesanje	952 711 913
125B	
<b>Odobren pribor</b>	<b>Vrsta</b>
Visokohitrostna šoba	545 119 501

## Vsebina izjave ES o skladnosti

Husqvarna AB, SE 561 82 Huskvarna, SWEDEN, izjavlja na lastno odgovornost, da je predstavljeni izdelek:

Opis	Gasoline Blower/ Blower-Vacuum
Znamka	Husqvarna
Platforma/vrsta/model	Platforma 125B28HV, natančneje model 125B, 125BX, 125BVX
Serijska številka	Serijske številke od letnika 2019 dalje

v celoti skladen z naslednjimi direktivami in uredbami EU:

Direktiva/uredba	Opis
2006/42/EC	o strojih
2014/30/EC	o elektromagnetni združljivosti
2000/14/EC	o zunanjem hrupu
2011/65/EU	o omejevanju uporabe nekaterih nevarnih snovi

Usklajeni standardi in/ali tehnične specifikacije v veljavi: EN ISO 12100, EN ISO 1186-1, CISPR 12, ISO 14982, EN 50581

V skladu z direktivo 2000/14/EC, priloga V, so določene ravni zvoka navedene v poglavju s tehničnimi podatki v tem priročniku in v podpisani izjavi ES o skladnosti.

Intertek je v imenu družbe Husqvarna AB opravil prostovoljen tipski pregled in sestavil dokument Certifikat o skladnosti z direktivo Sveta ES 2006/42/EC o strojih.

Ta certifikat, kot je naveden v podpisani izjavi ES o skladnosti, velja za vse proizvodne lokacije in države porekla, navedene na izdelku.

Dobavljeni enoti Gasoline Blower/ Blower-Vacuum sta enaki primerku, na katerem je bil opravljen pregled.

---

## Sadržaj

---

Uvod.....	266	Održavanje.....	272
Bezbednost.....	267	Tehnički podaci.....	274
Sklapanje.....	270	Oprema.....	275
Rukovanje.....	270	Sadržaj EZ deklaracije o usaglašenosti.....	276

---

## Uvod

---

### Korisničko uputstvo

Ovo korisničko uputstvo je originalno napisano na engleskom jeziku. Korisnička uputstva na drugim jezicima su prevodi sa engleskog jezika.

(Sl. 1)

1. Traka za rame (125BVX)
2. Prekidač gasa
3. STOP prekidač (za zaustavljanje)
4. Kontrola brzine
5. Kućište ventilatora
6. Poklopac rezervoara za gorivo
7. Prečistač vazduha
8. Čok
9. Pumpa za gorivo
10. Poklopac ulaza
11. Drška za usisavanje (125BX i 125BVX)
12. Sekači (125BX i 125BVX)
13. Rotor ventilatora
14. Standardna mlaznica
15. Mlaznica za velike brzine (125BX i 125BVX)
16. Cev duvača
17. Stezni vijak cevi
18. Stezne navrtke cevi
19. Prigušivač
20. Vod za uzemljenje
21. Ručica startera
22. Starter
23. Zavrtnji za podešavanje karburatora
24. Korisničko uputstvo
25. Uređaj za usisavanje sa komponentama za skupljanje usisanih predmeta, koji se sastoji od stavki rednih brojeva 26–30 na listi ispod
26. Cev vreće za usisavanje
27. Vreća za usisavanje
28. Dvodielna cev usisivača
29. Zavrtnj
30. Traka za rame

### Simboli na uređaju

(Sl. 2) Upozorenje

(Sl. 3) Pročitajte ovo uputstvo

### Pregled

- |          |   |
|----------|---|
| (Sl. 4)  | Koristite odobrenu zaštitu za uši                                   |
| (Sl. 4)  | Koristite odobrenu zaštitu za oči                                   |
| (Sl. 4)  | Koristite odobrenu masku za zaštitu od prašine                      |
| (Sl. 5)  | Koristite odobrene zaštitne rukavice                                |
| (Sl. 6)  | Proizvod može da izbacuje predmete, što može da izazove povrede oči |
| (Sl. 7)  | Bezbedno rastojanje   |
| (Sl. 8)  | Ne približavajte se rotoru dok se okreće                            |
| (Sl. 9)  | Ne dozvolite deci da rukuju proizvodom                              |
| (Sl. 10) | Nivo snage zvuka  |
| (Sl. 11) | Nivo buke   |
| (Sl. 12) | Obavezno podignite dugu kosu iznad ramena                           |
| (Sl. 13) | Proizvod je usaglašen sa važećim smericama EZ                       |
| (Sl. 14) | Proizvod je usaglašen sa važećim direktivama EAC                    |
| (Sl. 15) | Proizvod je usaglašen sa važećim direktivama Ukrajine               |

---

**Napomena:** Drugi simboli/oznake na proizvodu odnose se na zahteve za sertifikaciju za ostale komercijalne oblasti.

---

### Emisije Euro V.



**UPOZORENJE:** Neovlašćene prepravke motora poništavaju EU tip odobrenja za ovaj proizvod.

---

## Odgovornost za proizvod

Kako je izloženo u zakonima o odgovornosti za proizvode, mi nismo odgovorni za oštećenja prouzrokovana našim proizvodom u sledećim slučajevima:

- proizvod je popravljen na pogrešan način

- proizvod je popravljen korišćenjem delova koji nisu napravljeni ili odobreni od strane proizvođača
- proizvod ima opremu koja ne potiče ili nije odobrena od strane proizvođača
- proizvod nije popravljen u ovlašćenom servisnom centru ili od strane ovlašćenog stručnjaka

---

## Bezbednost

---

### Bezbednosne definicije

Definicije navedene u nastavku pružaju nivo ozbiljnosti za svaku signalnu reč.



**UPOZORENJE:** Telesne povrede osoba.



**OPREZ:** Oštećenje proizvoda.

**Napomena:** Ove informacije olakšavaju korišćenje proizvoda.

### Opšta bezbednosna uputstva



**UPOZORENJE:** Pročitajte upozoravajuća uputstva koja slede pre korišćenja proizvoda.

- Koristite proizvod na ispravan način. Telesna povreda ili smrt su mogući rezultat neispravnog korišćenja. Koristite proizvod samo za zadatke navedene u ovom uputstvu. Nemojte koristiti proizvod za druge zadatke.
- Pratite instrukcije navedene u ovom uputstvu. Pratite bezbednosne simbole i bezbednosna uputstva. Ako rukovalac ne prati uputstva i simbole, oštećenje, telesna povreda ili smrt su mogući rezultat.
- Nemojte baciti ovo uputstvo. Koristite uputstva kako biste sklopili, rukovali i održavali proizvod u dobrom stanju. Koristite uputstva za ispravno montiranje dodataka i opreme. Koristite isključivo odobrene dodatke i opremu.
- Nemojte koristiti oštećeni proizvod. Pridržavajte se šeme održavanja. Vršite samo one radove održavanja za koje pronađete instrukcije u ovom uputstvu. Ovlašćeni servisni centar mora izvršiti sve druge radove održavanja.
- Ovo uputstvo ne može sadržavati sve situacije koje se mogu pojaviti prilikom korišćenja proizvoda. Budite pažljivi i koristite zdrav razum. Nemojte rukovati proizvodom ili vršiti održavanje ako niste sigurni u pogledu određene situacije. Obratite se stručnjaku za proizvod, prodavcu, servisnom zastupniku ili ovlašćenom servisnom centru kako biste dobili više informacija.
- Iskopčajte kabl svećice pre nego što sklopite proizvod, uskladištite ga ili izvršite održavanje.
- Nemojte koristiti proizvod ako je izmenjen od inicijalnih specifikacija. Nemojte menjati deo na proizvodu bez odobrenja od strane proizvođača. Koristite samo delove koji su odobreni od strane proizvođača. Telesna povreda ili smrt su mogući rezultat nepravilnog održavanja.
- Nemojte udisati isparenja iz motora. Dugotrajno udisanje izduvnih gasova motora je opasno za zdravlje.
- Nemojte pokretati proizvod u zatvorenom prostoru ili blizu zapaljivih materijala. Izduvni gasovi su vrući i mogu imati varnicu koja može potpaliti požar. Nedovoljan protok vazduha može izazvati telesnu povredu ili smrt usled gušenja ili prisustva ugljenmonoksida.
- Kada koristite ovaj proizvod, motor stvara elektromagnetno polje. Elektromagnetno polje može izazvati oštećenje medicinskih implantata. Posavetujte se sa svojim lekarom i proizvođačem medicinskog implantata pre nego što počnete da rukujete ovim proizvodom.
- Nemojte dozvoliti da dete rukuje proizvodom. Ne dozvolite neobučenicima da rukuju proizvodom.
- Pobrinite se da uvek nadzirete osobu sa smanjenim fizičkim ili mentalnim sposobnostima koja koristi proizvod. Odgovorna odrasla osoba mora biti prisutna sve vreme.
- Proizvod čuvajte na mestu gde deca i neovlašćene osobe nemaju pristup.
- Proizvod može da izbacuje predmete i tako izazove telesne povrede. Pridržavajte se bezbednosnih uputstava kako biste smanjili rizik od telesne povrede ili smrti.
- Nemojte se udaljavati od proizvoda kada motor radi.
- Rukovalac proizvoda je odgovoran u slučaju ako dođe do nesreće.
- Uverite se da delovi nisu oštećeni pre nego što koristite proizvod.
- Uverite se da ste udaljeni najmanje 15 m (50 stopa) od drugih osoba ili životinja pre nego što koristite proizvod. Uverite se da osobe u okolnom području znaju da ćete koristiti proizvod.

- Pogledajte nacionalne ili lokalne zakone. Oni mogu sprečavati ili umanjiti načine za rad proizvoda u određenim slučajevima.
- Ne koristite proizvod ako ste iscrpljeni ili pod uticajem alkohola, droge ili lekova. Oni mogu uticati na vaš vid, budnost, koordinaciju ili prosuđivanje.

## Bezbednost vibracija

Ovaj se proizvod primenjuje samo za povremeni rad. Kontinuirani ili redovan rad sa proizvodom može da prouzrokuje Rejniov fenomen ili ekvivalentne medicinske probleme koji proističu iz izloženosti vibracijama. Pregledajte stanje šaka i prstiju ako kontinuirano ili redovno rukujete proizvodom. Ako na vašim šakama ili prstima postoje promene boje, imate bolove, peckanje ili utrnulost u šakama ili prstima, prekinite rad i odmah se obratite lekaru.

## Bezbednosna uputstva za rukovanje duvačem

- Koristite proizvod samo za oduvavanje ili uklanjanje lišća i drugih otpadaka sa tla.
- Ne koristite uređaj ako ste umorni, bolesni ili pod uticajem alkohola, droge ili lekova.
- Ne dozvolite da prolaznici i životinje priđu na manje od 15 m (50 ft) od rukovaoca.
- Proizvod može da velikom brzinom izbacuje predmete, koji mogu da rikošetiraju i udare rukovaoca. Tako može da dođe do povrede oka.
- Nemojte okretati izduvnu cev u pravcu ljudi i životinja.
- Obavezno podignite dugu kosu iznad ramena.
- Zaustavite motor pre postavljanja ili uklanjanja dodatne opreme i delova.
- Ne koristite proizvod bez štitnika.
- Nemojte raditi sa proizvodom ako se osobe nalaze u radnom području. Zaustavite proizvod ako osoba uđe u radno područje.
- Ne koristite proizvod u prostoru sa nedovoljnim protokom vazduha. Nedovoljan protok vazduha može da izazove telesnu povredu ili smrt usled gušenja ili prisustva ugljen-monoksida.
- Prigušivač je vreo dok proizvod radi, kad se zaustavi i dok radi u praznom hodu. Budite oprezni u blizini zapaljivih materijala i isparenja.
- Ne dodirujte poklopac ulaza. Držite nakit i komotnu odeću dalje od poklopca ulaza.
- Uvek je potrebno da imate dobar oslonac pod nogama i koristite proizvod samo na bezbednim i ujednačenim površinama. Klizave i nestabilne površine kao što su merdevine mogu da dovedu do gubitka ravnoteže ili kontrole.
- Ne koristite proizvod na visokim mestima, npr. na krovu.
- Fiksirajte proizvod tokom transporta.
- Koristite proizvod samo u preporučeno vreme. Poštujte lokalne propise. Obično je prihvatljivo raditi između 9:00 i 17:00, od ponedeljka do subote.

- Koristite proizvod na najmanjem mogućem gasu dovoljnom da se posao obavi.
- Uverite se da nema opasnosti od pada prilikom korišćenja proizvoda. Nemojte se naginjati kada radite sa proizvodom.
- Pre korišćenja se uverite da je proizvod u dobrom stanju, naročito prigušivač, usisnik vazduha i filter za vazduh.
- Razlabavite otpatke na tlu metlom ili grabuljama pre korišćenja proizvoda.
- Poprskajte površinu na kojoj ćete raditi crevom ako je prljava.
- Da biste štedeli vodu, koristite proizvod kao zamenu za crevo.
- Vršite oduvavanje otpadaka na bezbedan način. Pazite na decu, životinje, otvorene prozore i vozila.
- Ne usmeravajte proizvod na biljke koje se lako oštećuju.
- Ne duvajte vazduh u pravcu predmeta kao što su zidovi, veliko kamenje, vozila i ograde.
- Ako radite u uglovima zatvorene prostorije, izduvavajte ka uglu ka centru radne oblasti. U suprotnom otpaci mogu da vas udare u lice i povrede vam oči.
- Koristite celo produženje mlaznice da biste držali mlaz vazduha blizu tla.
- Neophodno je da osobe u blizini nose zaštitu za oči.
- Posle korišćenja proizvoda, bacite otpatke u odgovarajući kontejner za otpad.

## Bezbednosna uputstva za rukovanje usisivačem

- Ne dozvolite da se ventilator ošteti. Ne usisavajte velike i čvrste predmete kao što je drvo, konzerve, podloge od komadića gume i dugačke trake kanapa i sl.
- Ne dozvolite da cev usisivača udara o tlo.
- Zaustavite motor i odvojte kapicu svećice pre nego što uklonite materijal koji je izazvao zapušenje ili blokadu.

## Lična zaštitna oprema

- Uvek koristite odgovarajuću ličnu zaštitnu opremu kada radite sa proizvodom. Lična zaštitna oprema ne poništava rizik od telesne povrede. Lična zaštitna oprema umanjuje stepen telesne povrede u slučaju pojave nesreće.
- Uvek koristite odobrenu zaštitu za oči tokom rada sa proizvodom.
- Nemojte raditi sa proizvodom dok ste bosonogi ili u otvorenoj obući. Uvek nosite neklizauće i čvrste čizme.
- Uvek nosite duge pantalone od čvrstog materijala.
- Ako je neophodno, koristite odobrene zaštitne rukavice.
- Nosite zaštitnu kacigu ako postoji mogućnost da vam predmeti padnu na glavu.

- Uvek koristite odobrenu zaštitu za uši tokom rada sa proizvodom. Izloženost buci tokom dužeg vremenskog perioda može dovesti do gubitka sluha izazvanog bukom.
- Uvek koristite odobrenu masku za prašinu kad koristite proizvod u prašnojavom okruženju.
- Vodite računa da vam u blizini bude komplet za prvu pomoć.

## Zaštitni uređaji na proizvodu

- Pobrinite se da redovno vršite održavanje proizvoda.
  - Time se produžava radni vek proizvoda.
  - Time se smanjuje rizik od nesreća.

Neka ovlašćeni prodavac ili ovlašćeni servisni centar redovno pregledaju proizvod kako bi izvršili podešavanja ili popravke.

- Nemojte koristiti proizvod na kojem je oštećena zaštitna oprema. Ako je proizvod oštećen, obratite se ovlašćenom servisnom centru.

## Prekidač za zaustavljanje

Pokrenite motor. Uverite se da se motor zaustavio nakon što ste pomerili prekidač za zaustavljanje u položaj za zaustavljanje. (Sl. 16)

## Prigušivač



**UPOZORENJE:** Ne dodirujte prigušivač ako je vreo. Prigušivač je vreo tokom rada i posle zaustavljanja motora. Dodir prigušivača može da izazove opekotine.

- Nemojte koristiti motor sa oštećenim prigušivačem. Oštećeni prigušivač povećava nivo buke i rizik od požara. Neka vam pri ruci bude aparat za gašenje požara.
- Redovno proveravajte da je prigušivač pričvršćen na proizvod.
- Nemojte dodirivati motor ili prigušivač dok motor radi. Nemojte dodirivati motor ili prigušivač neko vreme nakon zaustavljanja motora. Vruće površine mogu da izazovu telesnu povredu.
- Vruć prigušivač može da izazove požar. Budite naročito pažljivi ako koristite proizvod blizu zapaljivih tečnosti ili isparenja.
- Nemojte dodirivati delove prigušivača ako je prigušivač oštećen. Delovi mogu da sadrže izvesne kancerogene hemikalije.
- Neki modeli duvača imaju hvatač varnica. Čistite i menjajte ga u naznačenim vremenskim intervalima. Pogledajte odeljak Održavanje (*Održavanje na stranici 272*).

(Sl. 17)

## Bezbednost oko goriva

- Nemojte pokretati proizvod ako na njemu postoje tragovi goriva ili motornog ulja. Uklonite neželjeno

gorivo/ulje i sačekajte da se proizvod osuši. Uklonite neželjeno gorivo sa proizvoda.

- Ako prospete gorivo na odeću, odmah je presvucite.
- Nemojte dozvoliti da gorivo dospe na vaše telo, ono može izazvati telesnu povredu. Ako gorivo dospe na vaše telo, uklonite ga pomoću sapuna i vode.
- Nemojte pokretati motor ako prospete ulje ili gorivo na proizvod ili vaše telo.
- Nemojte pokretati proizvod ako postoji curenje iz motora. Redovno proveravajte da li postoji curenje iz motora.
- Budite oprezni pri rukovanju gorivom. Gorivo je zapaljivo a isparenja su eksplozivna i mogu izazvati telesne povrede ili smrt.
- Nemojte udisati isparenja goriva, to može izazvati telesnu povredu. Pobrinite se da ima dovoljno protoka vazduha.
- Nemojte pušiti u blizini goriva ili motora.
- Nemojte stavljati vruće predmete blizu goriva ili motora.
- Nemojte dolivati gorivo kada motor radi.
- Uverite se da je motor hladan pre dopunjavanja goriva.
- Pre dopunjavanja goriva, lagano otvorite poklopac rezervoara za gorivo i pažljivo otpustite pritisak.
- Nemojte dolivati gorivo u motor u zatvorenom prostoru. Nedovoljan protok vazduha može izazvati telesnu povredu ili smrt usled gušenja ili prisustva ugljen-monoksida.
- Pažljivo zategnite poklopac rezervoara za gorivo ili može doći do požara.
- Pomerite proizvod najmanje 3 m (10 stopa) od položaja gde ste punili rezervoar pre pokretanja.
- Nemojte sipati previše goriva u rezervoar za gorivo.
- Pobrinite se da ne može doći do curenja kada pomerite proizvod ili kantu za gorivo.
- Nemojte stavljati proizvod ili kantu za gorivo na mesto gde postoji otvoreni plamen, varnice ili pilot gorionik. Uverite se da u skladišnom prostoru nema otvorenog plamena.
- Koristite samo odobrene kante za gorivo prilikom prenošenja ili skladištenja goriva.
- Ispraznite rezervoar za gorivo pre dugotrajnog skladištenja. Pridržavajte se lokalnog zakona u pogledu mesta odlaganja goriva.
- Očistite proizvod pre dugotrajnog skladištenja.
- Skinite kabl svećice pre skladištenja proizvoda kako biste osigurali da se motor ne može slučajno pokrenuti.

## Bezbednosna uputstva za održavanje



**UPOZORENJE:** Nepravilno održavanje može da izazove teško oštećenje motora i teške povrede.

Vlasnik je odgovoran za vršenje svog neophodnog održavanja kako je navedeno u korisničkom uputstvu.

Odvojite svećicu pre održavanja. Ne odvajajte svećicu ako ćete vršiti podešavanje karburatora.

---

## Sklapanje

---



**UPOZORENJE:** Pročitajte poglavlje o bezbednosti pre sklapanja proizvoda.

---

### Postavljanje cevi duvača i mlaznice na proizvod

---

**Napomena:** Zavrtanj mora da bude dovoljno otpušten da je moguće postaviti cev duvača na ispušt duvača.

Olabavite zavrtanj tako što ćete ga odvrtaćem okretati ulevo.

1. Poravnajte rebro na gornjem kraju cevi duvača sa žlebom na ispuštu duvača. Stavite cev na mesto.
2. Pričvrstite cev tako što ćete okretati zavrtanj udesno odvrtaćem.

**Napomena:** Ne koristite alat na navrtci.

3. Poravnajte proreze na donjoj cevi duvača sa jezičcima na gornjoj cevi duvača. Navucite donju cev duvača na gornju cev duvača.
4. Okrenite donju cev duvača udesno dok ne škljocne.

---

### Postavljanje vreće za usisavanje sa različitim cevima usisivača

---



**UPOZORENJE:** Isključite motor pre nego što počnete da postavljate cevi na proizvod.

---

#### Sklapanje vreće za usisavanje

1. Otvorite vreću za usisavanje.
2. Umetnite cev vreće za usisavanje iz unutrašnjosti vreće tako da se namesti u otvor usisnika usisivača.
3. Uverite se da je elastični deo naseo u žleb (A).
4. Zatvorite potezni zatvarač na vreći. (Sl. 18)

---

#### Postavljanje cevi vreće za usisavanje

1. Uklonite cev duvača, ako je postavljena.
2. Poravnajte rebro na cevi vreće za usisavanje (A) sa žlebom na ispuštu duvača (B).
3. Pritisnite cev vreće za usisavanje u potpunosti na ispušt duvača.
4. Umetnite navrtku (C) u njen otvor.
5. Postavite zavrtanj (D) i zategnite ga pomoću odvijača da biste pričvrstili cev. (Sl. 19)

---

#### Pričvršćivanje cevi usisivača zajedno

1. Poravnajte strelicu na donjoj cevi usisivača (A) sa strelicom na gornjoj cevi usisivača (B).
2. Pritisnite donju cev usisivača u gornju cev usisivača.
3. Pomoću odvijača postavite samorezni vijak (C) koji drži cevi zajedno. (Sl. 20)

---

#### Postavljanje cevi usisivača

1. Stavite vrh odvijača u rešetku usisnika usisivača.
2. Okrenite odvijač da biste otpustili rešetku. (Sl. 21)
3. Poklopac usisnika usisivača bi trebalo ostaviti otvoren sve dok se gornja cev usisivača ne postavi na mesto.
4. Poravnajte rebra na unutrašnjosti usisnika usisivača sa prorezima na gornjoj cevi usisivača. Uverite se da je simbol zaključavanja na cevi poravnat sa simbolom otključavanja na usisniku usisivača. (Sl. 22)
5. Pritisnite gornju cev usisivača u potpunosti u usisnik usisivača.
6. Okrenite gornju cev usisivača udesno dok se simbol zaključavanja na cevi ne poravnat sa simbolom zaključavanja na usisniku usisivača. Čuće se „klik“ zvuk kada je cev pravilno pričvršćena. (Sl. 23)

---

## Rukovanje

---



**UPOZORENJE:** Pročitajte i shvatite poglavlje o bezbednosti pre rada sa proizvodom.

---

#### Gorivo

---

#### Korišćenje goriva



**OPREZ:** Ovaj proizvod ima dvotaktni motor. Koristite mešavinu benzina i ulja za dvotaktni motor. Pobrinite se da koristite ispravnu količinu ulja u mešavini. Nepravilna razmera benzina i ulja može prouzrokovati oštećenje motora.

## Benzin



**OPREZ:** Nemojte koristiti benzin sa oktanskim brojem manjim od 90 RON (87 AKI). To može prouzrokovati oštećenje proizvoda.



**OPREZ:** Nemojte koristiti benzin sa više od 10% koncentracije etanola (E10). To može prouzrokovati oštećenje proizvoda.



**OPREZ:** Nemojte koristiti olovni benzin. To može prouzrokovati oštećenje proizvoda.

- Uvek koristite sveži bezolovni benzin sa minimalnim oktanskim brojem od 90 RON (87 AKI) i sa manje od 10% koncentracije etanola (E10).
- Koristite benzin sa višim oktanskim brojem ako često koristite proizvod pri kontinuirano visokoj brzini motora.
- Uvek koristite kvalitetnu mešavinu bezolovnog benzina/ulja.

## Ulje za dvotaktni motor

- Koristite samo visokokvalitetno ulje za dvotaktni motor. Koristite samo ulje za vazdušno hlađeni motor.
- Nemojte koristiti druge tipove ulja.
- Razmera mešavine 50:1 (2%)

Benzin	Ulje
1 američki galon	77 ml (2,6 oz)
1 britanski galon	95 ml (3,2 oz)
5 l	100 ml (3,4 oz)

## Pravljenje mešavine goriva

**Napomena:** Uvek koristite čistu kantu za gorivo kada mešate gorivo.

**Napomena:** Nemojte praviti zalihe mešavine goriva veće od količine potrebne za 30 dana rada.

1. Dodajte polovinu količine benzina.
2. Dodajte punu količinu ulja.
3. Promućkajte mešavinu goriva kako bi se sadržaj izmešao.
4. Dodajte preostalu količinu benzina.
5. Promućkajte mešavinu goriva kako bi se sadržaj izmešao.
6. Napunite rezervoar za gorivo.

## Dolivanje goriva

- Uvek koristite kantu za gorivo sa ventilom protiv prosipanja.
- Ako se na kanti nalaze ostaci goriva, uklonite neželjeno gorivo i sačekajte da se kanta osuši.
- Uverite se da je područje oko poklopca rezervoara za gorivo čisto.
- Promućkajte kantu za gorivo pre dolivanja mešavine goriva u rezervoar za gorivo.

## Pokretanje i zaustavljanje

### Pre pokretanja motora

- Pregledajte proizvod kako biste se uverili da nema nedostajućih, oštećenih, labavih ili pohabanih delova.
- Pregledajte vreću za usisavanje. Uverite se da vreća za usisavanje nije oštećena i da je potezni zatvarač zatvoren.
- Pregledajte navrtke, zavrtnje i vijke.
- Pregledajte filter za vazduh.
- Proverite da li okidač gasa pravilno radi.
- Pregledajte prekidač za zaustavljanje kako biste se uverili da ispravno radi.
- Proverite da li ima curenja goriva iz proizvoda.

### Pokretanje hladnog motora



**UPOZORENJE:** Ne namotavajte užu startera na ruku.



**OPREZ:** Ne pridržavajte proizvod stopalom.



**OPREZ:** Ne izvlačite užu startera do kraja. Nemojte puštati ručicu užeta startera dok je užu izvučeno. To može da ošteti proizvod.

**Napomena:** Ako se motor zaustavi, prebacite kontrolu čoka u zatvoreni položaj i ponovite proceduru pokretanja.

1. Napunite rezervoar za gorivo čistom mešavinom.
2. Pritisnite pumpu za gorivo 10 puta. (Sl. 24)
3. Pomerite kontrolu čoka motora u „FULL CHOKE“ položaj (zatvoren čok). (Sl. 25)
4. Gurnite komandu promenljive brzine skroz ulevo. (Sl. 26)
5. Držite mašinu prislonjenu na tlo levom rukom.
6. Povlačite ručicu užeta startera sve dok motor ne pokuša da se pokrene. Nemojte da povlačite više od 3 puta.

- Pomerite kontrolu čoka u položaj 1/2 (poluotvoreni) i povucite ručicu užeta startera dok se motor ne pokrene. (Sl. 27)
- Pustite motor da radi oko 10 sekundi.
- Pritisnite i držite prekidač gasa tokom svih preostalih koraka.
- Pomerite kontrolu čoka u „OFF CHOKE“ položaj (otvoren čok). (Sl. 28)
- Sačekajte 1 minut da se motor zagreje.

### Pokretanje toplog motora

- Pritisnite i držite obarač gasa.
- Pomerite kontrolu čoka u položaj 1/2 (poluotvoren čok).
- Brzo povucite ručicu užeta startera dok držite pritisnutim obarač gasa dok se motor ne pokrene.
- Pomerite kontrolu čoka u „OFF CHOKE“ položaj (otvoren čok).

### Zaustavljanje motora

- Pritisnite i pustite prekidač za zaustavljanje motora (STOP). Prekidač se automatski vraća u položaj „ON“ (uključeno). Sačekajte 7 sekundi pre nego što probate da ponovo pokrenete proizvod da biste se uverili da se prekidač resetovao.

### Korišćenje mlaznice

- Koristite standardnu mlaznicu kad vam je potrebna preciznost i velika koncentracija vazdušne struje. (Sl. 29)
- Koristite mlaznicu velike brzine kad vam je potreban širi tok i veća brzina vazduha. (Sl. 30)

### Podešavanje mlaznice duvača

- Uvrnite mlaznicu ulevo da biste odvojili adapter.
- Pomerite mlaznicu u željeni položaj.
- Zavrните mlaznicu udesno dok ne čujete škljocaj.

## Usisavanje

Obucite potrebnu bezbednosnu opremu pre usisavanja.



**UPOZORENJE:** Uverite se da vreća za usisavanje nije oštećena i da je potezni zatvarač zatvoren pre upotrebe. Ne koristite oštećenu vreću. Time se sprečava povređivanje letećim otpacima. Rad levom rukom povećava rizik. Ne dodirujte prostor oko izduvnika.



**UPOZORENJE:** Ne pokrećite duvač ako je poklopac usisa otvoren ili oštećen (osim ako je postavljena cev za usisavanje).

- Vreća za usisavanje tokom rada duvača mora da se drži za traku za rame. Traku treba postaviti preko ramena.
- Pokrenite duvač. Pridržavajte se uputstava iz odeljka za pokretanje i zaustavljanje *Pokretanje i zaustavljanje na stranici 271*. Pažljivo pročitajte bezbednosna uputstva *Bezbednost na stranici 267*.

### Pražnjenje vreće za usisavanje



**UPOZORENJE:** Uvek pregledajte vreću za usisavanje. Uverite se da nije oštećena i da je potezni zatvarač zatvoren pre upotrebe. Nemojte koristiti oštećenu vreću. Postoji opasnost od povrede letećim otpacima. Budite pažljivi ako radite levom rukom. Ne dodirujte prostor oko izduvnika.

- Zaustavite proizvod.
- Otvorite bočni potezni zatvarač.
- Ispraznite vreću za usisavanje.
- Zatvorite potezni zatvarač.

## Održavanje



**UPOZORENJE:** Pročitajte i shvatite poglavlje o bezbednosti pre čišćenja, popravke ili održavanja proizvoda.

### Šema održavanja

Pobrinite se da se pridržavate šeme održavanja. Intervali su izračunati na osnovu svakodnevnog korišćenja proizvoda. Intervali su različiti ako ne koristite proizvod svakog dana. Vršite samo one radove održavanja koji se mogu pronaći u ovom uputstvu. Obratite se ovlašćenom servisnom centru u pogledu drugih radova održavanja koji nisu navedeni u ovom uputstvu.

### Svakodnevno održavanje

- Očistite spoljne površine.
- Pregledajte rad komande brzine i prekidača gasa. Zamenite oštećene delove.
- Proverite prekidač za zaustavljanje. Zamenite ga ako je potrebno.
- Proverite brzinu praznog hoda.
- Očistite vazdušni filter. Zamenite ga ako je potrebno.
- Uverite se da poklopac usisa može da se zavravi u zatvorenom položaju. Uverite se da je rotor čist.
- Pritegnite sve vijke i zavrtnje.
- Uverite se da na kućištima nema naprslina.
- Uverite se da vreća za usisavanje nije oštećena i da potezni zatvarač radi. Zamenite vreću ako je potrebno.



## Nedeljno održavanje

- Pregledajte stanje startera, užeta startera i opruge za zatezanje. Zamenite sve oštećene delove.
- Pregledajte stanje usisnika vazduha na starteru. Uklonite otpatke ako je usisnik vazduha zapušen.
- Očistite spoljni deo svećice. Izvadite je i pregledajte zazor između elektroda. Podesite zazor na 6 mm (0,024 in) ili zamenite svećicu.
- Očistite lopatice rotora.
- Očistite hvatač varnica i zamenite ga ako je potrebno (ne važi za prigušivače sa katalizatorom).
- Očistite oblast karburatora.
- Očistite vazdušni filter.

## Mesečno održavanje

- Pregledajte ručicu užeta startera i uže startera.
- Očistite rezervoar za gorivo.
- Očistite karburator i okolne površine.
- Očistite lopatice rotora.
- Pregledajte ima li na vodovima goriva naprslina i drugih znakova oštećenja. Zamenite ih ako je potrebno
- Promenite filter za gorivo u rezervoaru za gorivo.
- Pregledajte sve kablove i veze.
- Zamenite svećicu.
- Promenite filter za vazduh.

## Godišnje održavanje

- Pregledajte svećicu.
- Očistite spoljne površine karburatora i prostor oko njega.
- Očistite sistem za hlađenje.
- Pregledajte hvatač varnica.
- Pregledajte filter za gorivo.
- Pregledajte da li postoji oštećenje na crevu za gorivo.
- Pregledajte sve kablove i veze.

## Održavanje na 50 radnih sati

- Neka ovlašćeni servisni centar popravi ili zameni prigušivač.

## Podešavanje brzine praznog hoda

- Uverite se da je filter za vazduh čist i da je poklopac filtera za vazduh pričvršćen pre podešavanja brzine praznog hoda.
- Podesite brzinu praznog hoda pomoću zavrtnja za podešavanje T koji je označen oznakom „T”.
- Brzina praznog hoda je ispravna kada motor ravnomerno radi u svim položajima.

(Sl. 31)

1. Okrećite zavrtnj za podešavanje brzine praznog hoda udesno ako želite veću brzinu.
2. Okrećite zavrtnj za podešavanje brzine praznog hoda ulevo ako želite manju brzinu.

## Održavanje hvatača varnica

Očistite hvatač varnica pomoću žičane četke.

## Čišćenje sistema za hlađenje

(Sl. 32)

Očistite delove sistema za hlađenje pomoću četke.

## Pregled svećice



**OPREZ:** Uvek koristite preporučeni tip svećice. Neodgovarajući tip svećice može da ošteti proizvod.

- Pregledajte svećicu ako je snaga motora mala, ako se teško pokreće ili nepravilno radi u praznom hodu.
- Da biste smanjili rizik od nakupljanja neželjenog materijala na elektrodama svećice, poštujujte sledeća uputstva:
  - a) Uverite se da je broj obrtaja na praznom hodu pravilno podešen.
  - b) Uverite se da je mešavina dobro napravljena.
  - c) Uverite se da je filter za vazduh čist.
- Ako je svećica prijava, očistite je i ujedno proverite da li je razmak između elektroda tačan, pogledajte *Tehnički podaci na stranici 274*. (Sl. 33)
- Zamenite svećicu ako je potrebno.

## Održavanje filtera za vazduh

### Čišćenje filtera za vazduh

1. Skinite poklopac filtera za vazduh i uklonite filter za vazduh. (Sl. 34)
2. Očistite filter za vazduh toplom sapunjavom vodom. Uverite se da je filter za vazduh suv pre nego što ga ponovo postavite.
3. Zamenite filter za vazduh ako je previše zaprljan i ne može se propisno očistiti. Uvek zamenite oštećeni filter za vazduh.
4. Ako proizvod ima penasti filter za vazduh, nanesite ulje za filter za vazduh. Nanesite ulje za filter za vazduh samo na penasti filter. Nemojte nanositi ulje na filcani filter.

## Tehnički podaci

	jedinica	125B (125B28HV)	125BX (125B28HV)	125BVX (125B28HV)
<b>Specifikacije motora</b>				
Zapremina cilindra	cm <sup>3</sup>	28	28	28
Razmak elektroda	mm	0,6	0,6	0,6
Zapremina rezervoara za gorivo	cm <sup>3</sup>	500	500	500
Brzina praznog hoda	min <sup>-1</sup>	2800–3200	2800–3200	2800–3200
Maksimalna brzina okretanja	min <sup>-1</sup>	8000	8000	8000
Izlazna snaga	kW	0,8	0,8	0,8
Svećica		Champion RCJ-6Y	Champion RCJ-6Y	Champion RCJ-6Y
Režim duvanja maksimalnom brzinom	min <sup>-1</sup>	8600	8600	8600
Režim usisavanja maksimalnom brzinom	min <sup>-1</sup>	--	7500	7500
Period trajnosti emisija	h	125	125	125
<b>Podaci o buci i vibracijama</b>				
Ekvivalentni nivo vibracija na drškama kad je uređaj opremljen cevima duvača i mlaznicom (originalnom) – pogledajte napomenu 1	m/s <sup>2</sup>	11,03	11,03	11,03
Ekvivalentni nivo vibracija na drškama kad je uređaj opremljen cevima usisivača (originalnim), leva/desna – pogledajte napomenu 1	m/s <sup>2</sup>	--/--	12,16/12,29	12,16/12,29
Ekvivalentni nivo pritiska zvuka uređaja opremljenog cevima duvača i mlaznicom (originalnom) u uhu rukovaoca, meren prema ISO 22868 – pogledajte napomenu 3	dB(A)	96	96	96
Pritisak zvuka u uhu osobe u blizini meren prema ANSI B175.2, opremljeno cevima duvača i mlaznicom (originalnom)	dB(A)	71	71	71
Nivo zvučne snage, izmeren – pogledajte napomenu 2	dB(A)	109	109	109
Nivo zvučne snage, garantovan (L <sub>WA</sub> ) – pogledajte napomenu 2	dB(A)	112	112	112
<b>Dimenzije proizvoda</b>				
Težina (bez goriva, sa postavljenom cevi duvača i standardnom mlaznicom)	kg	4,3	4,4	4,4

**Napomena 1:** Podaci iz izveštaja za ekvivalentni nivo vibracija imaju tipičnu statističku disperziju (standardno odstupanje) od 1 m/s<sup>2</sup>.

**Napomena 2:** Emisije buke u životnoj sredini merene kao zvučna snaga (L<sub>WA</sub>) u skladu sa direktivom 2000/14/ EZ. Izveštajni nivo zvučne snage za mašinu meren je sa originalnim priključkom koji daje najviši nivo. Razlika između garantovanog i izmerenog nivoa zvučne snage je da garantovana zvučna snaga takođe obuhvata raspršenje rezultata merenja i razlike između različitih mašina istog modela u skladu sa Direktivom 2000/14/EZ.

**Napomena 3:** Izveštajni podaci za ekvivalentni nivo zvučnog pritiska za mašinu uključuju tipično statističko raspršenje (standardno odstupanje) od 1 dB (A).

Ventilator	Jedinica	125B	125BX	125BVX
Tip		Radijalni ventilator	Radijalni ventilator	Radijalni ventilator
Maksimalna brzina vazduha, standardna mlaznica	km/h	217	217	217
Maksimalna brzina vazduha, mlaznica za velike brzine*	km/h	273	273	273
Zapremina vazduha u režimu duvanja	cfm	425	425	425
Zapremina vazduha u režimu usisavanja	cfm	--	445	445
*dodatna oprema za neke modele				

## Oprema

125B, 125BX, 125BVX	
<b>Odobrena oprema</b>	<b>Tip</b>
Komplet za čišćenje oluka	952 711 918
125BX, 125BX	
<b>Odobrena oprema</b>	<b>Tip</b>
Komplet za usisavanje	952 711 913
125B	
<b>Odobrena oprema</b>	<b>Tip</b>
Mlaznica za veliku brzinu vazdušne struje	545 119 501

---

## Sadržaj EZ deklaracije o usaglašenosti

---

Mi, Husqvarna AB, SE 561 82 Huskvarna, SWEDEN, izjavljujemo pod vlastitom odgovornošću da je predstavljeni proizvod:

Opis	Gasoline Blower/ Blower-Vacuum
Marka	Husqvarna
Platforma/tip/model	Platforma125B28HV, reprezentativni model 125B, 125BX, 125BVX
Serijski broj	Serijski broj od 2019 i nadalje

u potpunosti usaglašen sa sledećim EU direktivama i propisima:

Direktiva/propis	Opis
2006/42/EC	„koji se odnose na mašine“
2014/30/EC	„koji se odnose na elektromagnetsku kompatibilnost“
2000/14/EC	„koji se odnose na buku u otvorenom prostoru“
2011/65/EU	„koji se odnose na ograničenje upotrebe određenih opasnih supstanci“

Primenjeni harmonizovani standardi i/ili tehničke specifikacije su sledeće: EN ISO 12100, EN ISO 1186-1, CISPR 12, ISO 14982, EN 50581

U skladu sa Direktivom 2000/14/EC, Aneks V, deklarirane vrednosti jačine zvuka su izložene u odeljku o tehničkim podacima u ovom uputstvu i u potpisanoj EZ Deklaraciji o usaglašenosti.

Intertek je izvršio volonterski pregled u ime kompanije Husqvarna AB, te je pružio sertifikat o usaglašenosti sa Direktivom Saveta Evrope 2006/42/EC za mašineriju.

Sertifikat, kako je obezbeđen na potpisanoj EZ Deklaraciji o usaglašenosti, primenjuje se na sve proizvodne lokacije i zemlje porekla, kako je navedeno na proizvodu.

Isporučeni Gasoline Blower/ Blower-Vacuum odgovara primerku koji je bio podvrgnut pregledu.

---

# Innehåll

---

Introduktion.....	277	underhåll.....	283
Säkerhet.....	278	Tekniska data.....	284
Montering.....	280	Tillbehör.....	285
Drift.....	281	Innehållet i EG-försäkran om överensstämmelse.....	286

---

## Introduktion

---

### Bruksanvisning

Det ursprungliga språket i denna bruksanvisning är engelska. Bruksanvisningar på andra språk är översättningar från engelska.

(Fig. 1)

1. Axelrem (125BVX)
2. Gasreglage
3. Stoppkontakt
4. Hastighetsreglaget
5. Fläkthus
6. Bränsletankslock
7. Luftfilter
8. Choke
9. Bränslepump
10. Inloppsskydd
11. Sughandtag (125BX och 125BVX)
12. Knivar (125BX och 125BVX)
13. Fläkthjul
14. Standardmunstycke
15. Höghastighetsmunstycke (125BX och 125BVX)
16. Blåsarrör
17. Bult till rörlämma
18. Rörets klämmuttrar
19. Ljuddämpare
20. Jordledare
21. Startsnörets handtag
22. Startanordning
23. Skruvar för förgasarjustering
24. Bruksanvisning
25. Suganordning med uppsamlingskomponenter bestående av artiklar 26–30 nedan
26. Slang till uppsamlingspåse
27. Uppsamlingspåse
28. Sugrör i två sektioner
29. Skruv
30. Axelrem

### Symboler på produkten

(Fig. 2) Varning

(Fig. 3) Läs den här bruksanvisningen

### Översikt

(Fig. 4) Använd godkända hörselskydd

(Fig. 4) Använd godkänt ögonskydd

(Fig. 4) Använd godkänd ansiktsmask

(Fig. 5) Använd godkända skyddshandskar

(Fig. 6) Produkten kan få föremål att skjutas ut, vilket kan orsaka skador på ögonen

(Fig. 7) Säkerhetsavstånd

(Fig. 8) Gå inte nära fläkthjulet när det snurrar

(Fig. 9) Håll barn borta från produkten

(Fig. 10) Ljudeffektnivå

(Fig. 11) Ljudnivå

(Fig. 12) Se till att långt hår sätts upp ovanför axlarna

(Fig. 13) Produkten följer gällande EG-direktiv

(Fig. 14) Produkten följer gällande EAC-direktiv

(Fig. 15) Produkten följer gällande ukrainska direktiv

**Notera:** Övriga symboler/dekaler på produkten avser specifika krav för certifieringar på andra kommersiella marknader.

---

### Euro V-utsläpp



**WARNING:** Manipulering av motorn upphäver EG-typgodkännandet för den här produkten.

---

### Produktansvar

Enligt lagstiftningen för produktansvar ansvarar vi inte för skador som vår produkt orsakar om:

- produkten repareras felaktigt
- produkten repareras med delar som inte kommer från tillverkaren eller inte har godkänts av tillverkaren

- produkten har ett tillbehör som inte kommer från tillverkaren eller inte har godkänts av tillverkaren

- produkten inte repareras vid ett godkänt servicecenter eller av en godkänd person.

---

## Säkerhet

---

### Säkerhetsdefinitioner

Definitionerna nedan beskriver allvarlighetsgraden för varje signalord.



**VARNING:** Personskador.



**OBSERVERA:** Skador på produkten.

**Notera:** Denna information gör produkten lättare att använda.

### Allmänna säkerhetsanvisningar



**VARNING:** Läs varningsinstruktionerna nedan innan du använder produkten.

- Använd produkten på rätt sätt. Skador eller dödsfall är ett möjligt resultat av felaktig användning. Använd endast produkten för arbetsuppgifterna som finns i denna bruksanvisning. Använd inte produkten till andra uppgifter.
  - Följ instruktionerna i denna bruksanvisning. Följ säkerhetssymbolerna och säkerhetsinstruktionerna. Om användaren inte följer instruktionerna och symbolerna är skador eller dödsfall ett möjligt resultat.
  - Spara den här bruksanvisningen. Använd instruktionerna för att sätta ihop, använda och förvara din produkt i gott skick. Använd instruktionerna för korrekt installation av tillbehör och extrautrustning. Använd endast godkända tillbehör och extrautrustning.
  - Använd inte en skadad produkt. Följ underhållsschemat. Utför endast det underhållsarbete som du hittar instruktioner om i den här bruksanvisningen. Godkända servicecenter måste göra allt annat underhållsarbete.
  - Den här bruksanvisningen kan inte inkludera alla situationer som kan uppstå när du använder produkten. Var försiktig och använd sunt förnuft. Använd inte produkten eller utför underhåll på produkten om du inte är trygg med situationen. Tala med en produktexpert, din återförsäljare, din serviceverkstad eller ett godkänt servicecenter för att få information.
- Koppla ur tändstiftskabeln innan du monterar produkten, ställer undan produkten för förvaring eller utför underhåll.
  - Använd inte produkten om den ändras från dess första specifikation. Byt inte ut en del av produkten utan tillverkarens godkännande. Använd endast delar som är godkända av tillverkaren. Skador eller dödsfall är ett möjligt resultat av felaktigt underhåll.
  - Undvik att andas in rök från motorn. Långvarig inandning av motorns avgaser utgör en hälsorisk.
  - Starta inte produkten inomhus eller nära brandfarligt material. Avgaserna är heta och kan medföra gnistor som kan orsaka brand. Otillräckligt luftflöde kan orsaka skador eller dödsfall på grund av kvävning eller kolmonoxidförgiftning.
  - När du använder denna produkt skapar motorn ett elektromagnetiskt fält. Det elektromagnetiska fältet kan orsaka skador på medicinska implantat. Tala med din läkare och tillverkaren av eventuella medicinska implantat innan du använder produkten.
  - Låt inte barn använda produkten. Låt inte personer utan kännedom om instruktionerna använda produkten.
  - Se till att du alltid övervakar en person med nedsatt fysisk eller mental kapacitet som använder produkten. En vuxen person måste vara närvarande hela tiden.
  - Lås in produkten på en plats där barn och obehöriga personer inte har åtkomst.
  - Produkten kan skjuta ut föremål och orsaka skador. Följ säkerhetsinstruktionerna för att minska risken för personskador eller dödsfall.
  - Lämnar inte produkten när motorn är på.
  - Användaren av produkten är ansvarig om en olycka inträffar.
  - Kontrollera att delarna inte är skadade innan du använder produkten.
  - Se till att du står minst 15 m från andra personer eller djur innan du använder produkten. Se till att personer i närheten vet att du kommer att använda produkten.
  - Följ nationella eller lokala lagar. De kan förhindra eller minska produktens funktion under vissa förhållanden.
  - Använd inte produkten om du är trött eller om du är påverkad av alkohol, droger eller läkemedel. Din syn, ditt omdöme eller kropps kontroll kan ha påverkats.

### Vibrationssäkerhet

Denna produkt ska endast användas sporadiskt. Kontinuerlig eller återkommande drift av produkten kan orsaka "vita fingrar" eller motsvarande medicinska

problem av vibrationer. Undersök dina händer och fingrar om du använder produkten kontinuerligt eller regelbundet. Om fingrar och händer har missfärgning har smärta, rykning längs ryggraden varje gång någon nämner häckklippning, eller är numb, avbryta arbetet och tala med en läkare omedelbart.

## Säkerhetsinstruktioner för användande av blåsaren

- Använd produkten endast för att blåsa bort eller ta upp löv och annat skräp som ligger på marken.
- Använd aldrig produkten om du är trött, sjuk eller om du är påverkad av alkohol, droger eller läkemedel.
- Låt inte andra människor eller djur vistas närmare än 15 meter från användaren.
- Produkten kan kasta ut föremål i hög hastighet som kan studsas och träffa användaren. Detta kan orsaka ögonskador.
- Rikta inte blåsarens munstycke mot andra människor eller djur.
- Se till att långt hår sätts upp ovanför axlarna.
- Stanna motorn innan du monterar eller demonterar tillbehör eller andra komponenter.
- Använd inte produkten utan dess skydd.
- Använd inte produkten om det finns personer i arbetsområdet. Stoppa produkten om en person går in i arbetsområdet.
- Använd inte produkten i utrymmen med otillräckligt luftflöde. Om luftflödet är otillräckligt kan det orsaka skador eller dödsfall på grund av kvävning eller kolmonoxidförgiftning.
- Ljuddämparen är mycket varm när produkten är på, när den har stannat och när den går på tomgång. Var försiktig i närheten av brandfarliga material och brandfarliga gaser.
- Rör inte området vid inloppsskyddet. Håll smycken och löst hängande klädesplagg borta från inloppet.
- Ha alltid bra fotfäste och använd produkten endast på säkra och jämna ytor. Hala eller instabila ytor, t.ex. stegar, kan få dig att tappa balansen eller kontrollen.
- Använd inte produkten på höga platser, t.ex. på ett tak.
- Säkra produkten under transport.
- Använd produkten endast vid rekommenderade tider. Följ lokala bestämmelser. De vanliga rekommendationerna är kl. 9.00 till 17.00, måndag till lördag.
- Använd produkten med lägsta möjliga gaspådrag för att få arbetet gjort.
- Se till att du inte kan falla när du använder produkten. Luta dig inte när du använder produkten.
- Kontrollera att produkten är i gott skick före användning, särskilt ljuddämparen, luftintaget och luftfiltret.
- Använd en kratta eller en borste för att lossa skräp på marken innan produkten används.

- Om arbetsområdet är smutsigt kan du spruta rent det med en slang.
- Använd produkten som ett alternativ till en slang för att spara vatten.
- Blås skräp på ett säkert sätt. Håll uppsikt efter barn, djur, öppna fönster och fordon.
- Rikta inte produkten mot växter som lätt kan skadas.
- Blås inte luften i riktning mot föremål som väggar, stora stenar, fordon och staket.
- Om du arbetar i innerhorn blåser du från hörnet och mot mitten av arbetsområdet. I annat fall kan skräp träffa dig i ansiktet och orsaka ögonskador.
- Använd hela förlängningsröret för att hålla luftströmmen nära marken.
- Åskådare måste använda ögonskydd.
- Släng skräpet i avfallsbehållare efter användning av produkten.

## Säkerhetsinstruktioner för användning av sugen

- Förhindra skador på fläkten. Sug inte upp stora, fasta föremål som trä, burkar, gummigranulat eller stora bitar snöre.
- Låt inte sugröret slå i marken.
- Stanna motorn och koppla ur tändhatten innan du tar bort något som fastnat eller täpper till röret.

## Personlig skyddsutrustning

- Använd alltid rätt personlig skyddsutrustning när du använder produkten. Den personliga skyddsutrustningen eliminerar inte risken för skador. Den personliga skyddsutrustningen minskar skadans allvarlighetsgrad om en olycka inträffar.
- Använd alltid godkänt ögonskydd när du använder produkten.
- Använd inte produkten barfota eller med öppna skor. Använd alltid kraftiga halksäkra kängor.
- Använd tjockare långbyxor.
- Om det är nödvändigt bör du använda godkända skyddshandskar.
- Använd hjälm om det finns en risk att föremål faller ned på huvudet.
- Använd alltid godkänt hörselskydd när du använder produkten. Oljud under en längre period kan leda till bullerorsakad hörselnedsättning.
- Använd alltid en godkänd ansiktsmask när du använder produkten i dammiga miljöer.
- Se till att du har första hjälpen i närheten.

## Säkerhetsanordningar på produkten

- Se till att du regelbundet utför underhåll på produkten.
  - Produktens livslängd ökar.
  - Risken för olyckor minskar.

Låt en auktoriserad återförsäljare eller ett godkänt servicecenter regelbundet undersöka produkten för att göra justeringar eller reparationer.

- Använd inte en produkt med skadad skyddsutrustning. Om produkten är skadad bör du tala med ett godkänt servicecenter.

## Stoppkontakt

Starta motorn. Kontrollera att motorn stängs av när stoppreglaget flyttas till stoppläget.

(Fig. 16)

## Ljuddämpare



**WARNING:** Rör inte ljuddämparen om den är varm. Ljuddämparen är mycket varm när motorn går och när den har stannat. Om du rör ljuddämparen kan det orsaka brännskador.

- Använd inte en motor med defekt ljuddämpare. En defekt ljuddämpare ökar ljudnivån och brandrisken. Ha en brandsläckare i närheten.
- Kontrollera regelbundet att ljuddämparen sitter fast på produkten.
- Rör inte motorn eller ljuddämparen när motorn är på. Rör inte motorn eller ljuddämparen förrän en stund efter att motorn stannat. Heta ytor kan orsaka skador.
- En varm ljuddämpare kan orsaka brand. Var försiktig om du använder produkten nära brandfarliga vätskor eller ångor.
- Rör inte ljuddämparens delar om ljuddämparen är skadad. Delarna kan innehålla vissa cancerframkallande kemikalier.
- Vissa blåsare är har ett gnistskydd. Rengör och byt skärmen vid angivna intervaller. Läs mer i avsnittet om underhill (

(Fig. 17)

*underhåll på sida 283.*

## Bränslesäkerhet

- Starta inte produkten om det finns bränsle eller motorolja på produkten. Ta bort det oönskade bränslet/oljan och låt produkten torka. Ta bort oönskat bränsle från produkten.
- Om du spillt bränsle på kläderna skall dessa bytas omedelbart.
- Se till att inte få bränsle på kroppen, det kan orsaka personskador. Om du får bränsle på kroppen använder du tvål och vatten för att ta bort bränslet.

- Starta inte motorn om du spiller olja eller bränsle på produkten eller på kroppen.
- Starta inte produkten om motorn har en läcka. Undersök regelbundet om motorn läcker.
- Var försiktig med bränsle. Bränsle är brandfarligt och ångorna är explosiva och kan orsaka skador eller dödsfall.
- Undvik att andas in bränsleångor då det kan orsaka personskador. Se till att det finns tillräckligt luftflöde.
- Rök inte i närheten av bränslet eller motorn.
- Placera inga varma föremål i närheten av bränslet eller motorn.
- Fyll inte på bränsle när motorn är på.
- Se till att motorn har svalnat innan du fyller på bränsle.
- Innan du fyller på bränsle bör du öppna bränsletanklocket långsamt och försiktigt släppa på trycket.
- Fyll inte på bränsle i motorn inomhus. Otillräckligt luftflöde kan orsaka skador eller dödsfall på grund av kvävning eller kolmonoxidförgiftning.
- Dra åt tanklocket försiktigt, annars kan brand uppstå.
- Flytta produkten minst 3 m från den plats där du fyllde på tanken innan du startar den.
- Fyll inte på med för mycket bränsle i bränsletanken.
- Kontrollera att läckage inte kan uppstå när du flyttar produkten eller bränslebehållaren.
- Placera inte produkten eller bränslebehållaren där det finns öppen eld, gnistor eller tändlagor. Se till att det inte finns någon öppen eld i förvaringsutrymmet.
- Använd endast godkända behållare när du flyttar bränslet eller ställer undan bränslet för förvaring.
- Töm bränsletanken före långtidsförvaring. Följ lokala lagar om var du kan kasta bränsle.
- Rengör produkten före långtidsförvaring.
- Ta bort tändstiftskabeln innan du ställer undan produkten för förvaring så att motorn inte oavsiktligt startar.

## Säkerhetsinstruktioner för underhåll



**WARNING:** Felaktigt underhåll kan leda till svåra motorskador eller allvarliga personskador.

Ägaren av maskinen är ansvarig för att utföra allt nödvändigt underhåll som anges i bruksanvisningen. Koppla loss tändstiftet innan underhållsarbetet. Koppla inte loss tändstiftet innan du utför justeringar av förgasaren.

## Montering



**WARNING:** Läs säkerhetskapitlet innan du monterar produkten.



## Så monterar du blåsarröret och munstycket på produkten

**Notera:** Bulten måste vara tillräckligt lös för att placera blåsarröret i blåsutloppet. Vrid bulten moturs med en skruvmejsel för att lossa den.

1. Rikta in styrtappen på det övre blåsarröret med spåret i blåsutloppet. Tryck röret på plats.
2. Vrid bulten medurs med en skruvmejsel för att fästa röret.

**Notera:** Använd inga verktyg på muttern.

3. Rätta in spären på det nedre blåsarröret mot tapparna på det övre. Skjut det nedre blåsarröret över det övre.
4. Vrid det nedre blåsarröret medurs tills du hör ett klickljud.

## Montera uppsamlingspåsen med olika sugrör



**VARNING:** Stäng av motorn innan du sätter fast rören på produkten.

### Montera uppsamlingspåsen

1. Öppna uppsamlingspåsen.
2. Sätt in röret till uppsamlingspåsen från insidan av säcken så att det hamnar i öppningen på luftintaget.
3. Se till att den elastiska delen hamnar i spåret (A).
4. Dra igen påsens blixtlås. (Fig. 18)

### Montering av uppsamlingspåsens rör

1. Ta bort blåsarröret om det är monterat.

2. Se till att flänsen på röret till uppsamlingspåsen (A) hamnar i linje med spåret på blåsarutloppet (B).
3. Skjut in uppsamlingspåsens rör ända mot blåsutloppet.
4. Sätt fast muttern (C) i öppningen.
5. Sätt fast skruven (D) och skruva åt den medurs med en skruvmejsel för att fästa röret. (Fig. 19)

## Montera ihop sugrören

1. Rikta in pilen på det nedre sugröret (A) mot pilen på det övre sugröret (B).
2. Tryck in det nedre sugröret i det övre sugröret.
3. Använd en skruvmejsel till att skruva fast den självgående skruven (C) som håller ihop rören. (Fig. 20)

## Montera sugrören

1. Sätt spetsen på en skruvmejsel i luftintagets låsspärr.
2. Vrid skruvmejseln för att lossa spärren. (Fig. 21)
3. Håll luftintagets skydd öppet tills det övre sugröret är på plats.
4. Se till att flänsarna på insidan av luftintaget är i linje med spären på det övre sugröret. Se till att låssymbolen på röret är i linje med upplåsningssymbolen på luftintaget. (Fig. 22)
5. Tryck in det övre sugröret helt i luftintaget.
6. Vrid det övre sugröret medurs tills låssymbolen på röret hamnar i linje med låssymbolen på luftintaget. Ett klick hörs när du har monterat röret på rätt sätt. (Fig. 23)

## Drift



**VARNING:** Läs och förstå säkerhetskapitlet innan du använder produkten.

## Bränsle

### Så använder du bränsle



**OBSERVERA:** Denna produkt har en tvätaktsmotor. Använd en blandning av bensin och tvätaktsmotorolja. Se till att använda rätt mängd olja i blandningen. Ett felaktigt blandningsförhållande av bensin och olja kan skada motorn.

### Bensin



**OBSERVERA:** Använd inte bensin med ett oktantal lägre än 90 RON (87 AKI). Det kan orsaka skador på produkten.



**OBSERVERA:** Använd inte bensin med mer än 10 % etanol (E10). Det kan orsaka skador på produkten.



**OBSERVERA:** Använd inte blyad bensin. Det kan orsaka skador på produkten.

- Använd alltid ny blyfri bensin med ett oktantal på minst 90 RON (87 AKI) och med mindre än 10 % etanol (E10).
- Använd bensin med ett högre oktantal om du ofta använder produkten vid kontinuerligt högt motorvarvtal.
- Använd alltid en blandning av blyfri bensin/olja av god kvalitet.

## Tvåtaktsmotorolja

- Använd endast tvåtaktsmotorolja av hög kvalitet. Använd endast luftkyld motorolja.
- Använd inga andra typer av olja.
- Blandningsförhållande 50:1 (2 %)

Bensin	Olja
3,79 liter	77 ml
4,55 liter	95 ml
5 l	100 ml

## Så gör du bränsleblandningen

**Notera:** Använd alltid en ren bränslebehållare när du blandar bränslet.

**Notera:** Blanda inte mer bränsleblandning än för 30 dagar.

1. Tillsätt hälften av bensinen.
2. Tillsätt all olja.
3. Skaka bränsleblandningen så att innehållet blandas.
4. Tillsätt resten av bensinen.
5. Skaka bränsleblandningen så att innehållet blandas.
6. Fyll bränsletanken.

## Så tillsätter du bränsle

- Använd alltid en bränslebehållare med spillskydd.
- Om det kommer bränsle på behållaren tar du bort det oönskade bränslet och låter behållaren torka.
- Se till att området i närheten av bränsletanklocket är rent.
- Skaka bränslebehållaren innan du tillsätter bränsleblandningen i bränsletanken.

## Så startar och stoppar du

### Innan du startar motorn

- Genomsök produkten efter saknade, skadade, lösa eller slitna delar.
- Undersök uppsamlingspåsen. Se till att uppsamlingspåsen inte är skadad och att blixtlåset är stängt.
- Undersök muttrar, skruvar och bultar.
- Undersök luftfiltret.

- Undersök om gasreglaget fungerar korrekt.
- Undersök om stoppreglaget fungerar korrekt.
- Genomsök produkten efter bränsleläckor.

## Starta kall motor



**VARNING:** Vira inte startsnöret runt armen.



**OBSERVERA:** Håll inte produkten med foten.



**OBSERVERA:** Dra inte ut startsnöret ända ut. Släpp inte startsnörets handtag när startsnöret är utdraget. Detta kan orsaka skador på produkten.

**Notera:** Om motorn stannar skjuter du chokereglaget till stängt läge och utför startproceduren igen.

1. Fyll bränsletanken med en ren bränsleblandning.
2. Tryck på bränsleblåsan tio gånger. (Fig. 24)
3. Skjut motorns chokereglage till läget FULL CHOKE (stängt). (Fig. 25)
4. Vrid varvtalsreglaget helt moturs. (Fig. 26)
5. Använd vänster hand för att hålla maskinen på marken.
6. Dra i startsnörets handtag tills motorn försöker starta. Dra inte fler än tre gånger.
7. Skjut chokereglaget till 1/2-positionen och dra i startsnöret tills motorn går igång. (Fig. 27)
8. Kör motorn i ungefär tio sekunder.
9. Håll in gasreglaget helt under alla återstående steg.
10. Skjut chokereglaget till läget CHOKE AV (öppen). (Fig. 28)
11. Värm upp motorn i en minut.

## Så startar du en varm motor

1. Håll in gasreglaget.
2. Flytta chokereglaget till 1/2-positionen.
3. Dra snabbt i starthandtaget samtidigt som du håller in gasreglaget tills motorn går.
4. Skjut chokereglaget till positionen OFF CHOKE (öppen).

## Stänga av motorn

- Tryck på och släpp motorns STOPP-knapp. Knappen återgår automatiskt till PÅ-läget. Vänta 7 sekunder innan du försöker starta om produkten för att kontrollera att knappen återställs.

## Så använder du ett munstycke

- Använd standardmunstycket när du behöver precision och hög luftkoncentration. (Fig. 29)
- Använd höghastighetsmunstycket när du behöver en bredare luftström och högre lufthastighet. (Fig. 30)

## Så justerar du blåsarens munstycke

1. Vrid munstycket åt vänster för att lossa bajonettkopplingen.
2. Flytta munstycket till lämplig position.
3. Vrid munstycket åt höger tills du känner att det klickar till.

## Så suger du

Innan du suger bör du sätta på dig den nödvändiga säkerhetsutrustningen.



**WARNING:** Se till att uppsamlingspåsen inte är skadad och att blixtlåset är stängt innan användning. Använd inte en påse som är skadad. Detta förhindrar skador orsakade av flygande skräp. Användning med vänster hand ökar risken. Låt inte din kropp vidröra området runt avgasutloppet.



**WARNING:** Starta inte blåsaren när inloppsskyddet är öppet eller skadat (förutom när sugröret är monterat).



**WARNING:** Läs och förstå säkerhetskapitlet innan du rengör, reparerar eller utför underhåll på produkten.

## Underhållsschema

Se till att du följer underhållsschemat. Intervallen beräknas utifrån daglig användning av produkten. Intervallen är annorlunda om du inte använder produkten varje dag. Utför endast det underhållsarbete som finns i den här bruksanvisningen. Tala med ett godkänt servicecenter om andra underhållsarbeten som inte finns i den här bruksanvisningen.

### Dagligt underhåll

- Rengör utvändiga ytor.
- Undersök att varvvalsregleringen och gasreglaget fungerar. Byt ut skadade delar.
- Undersök stoppkontakten. Byt ut den vid behov.
- Undersök tomgångsvarvtalet.
- Rengör luftfiltret. Byt ut den vid behov.
- Se till att inloppsskyddet kan låsas i stängt läge. Se till att fläkthjulet är rent.
- Dra åt alla muttrar och skruvar.
- Se till att höljet är fritt från sprickor.

- När blåsaren används måste uppsamlingspåsen bäras upp av axelremmen. Remmen måste bäras över axeln.
- Starta blåsaren. Följ instruktionerna i avsnittet för start och stopp *Så startar och stoppar du på sida 282*. Läs igenom säkerhetsinstruktionerna *Säkerhet på sida 278*.

## Så tömmer du uppsamlingspåsen



**WARNING:** Undersök alltid uppsamlingspåsen. Se till att den inte är skadad och att blixtlåset är stängt innan användning. Använd inte en skadad påse. Skräp som flyger omkring utgör en skaderisk. Var försiktig om du använder produkten med vänster hand. Rör inte vid området runt avgasutloppet.

1. Stäng av produkten.
2. Öppna blixtlåset på sidan.
3. Töm uppsamlingspåsen.
4. Stäng blixtlåset.

## underhåll

- Se till att uppsamlingspåsen inte är skadad och att blixtlåset fungerar. Byt ut påsen vid behov.

### Underhåll varje vecka

- Undersök skicket på startanordningen, startsnöret och spännfjädern. Byt ut alla skadade delar.
- Kontrollera skicket på startanordningens luftintag. Ta bort skräp om luftintaget är igentäppt.
- Rengör tändstiftet utvändigt. Ta bort det och kontrollera elektroavståndet. Justera avståndet till 6 mm eller byt ut tändstiftet.
- Rengör bladen på fläkthjulet.
- Rengör gnistskyddet och byt ut det vid behov (inte på ljuddämpare med katalysator).
- Rengör förgasaruområdet
- Rengör luftfiltret.

### Underhåll varje månad

- Undersök startsnörets handtag och startsnöret.
- Rengör bränsletanken.
- Rengör förgasaren och området runt omkring.
- Rengör bladen på fläkthjulet.
- Undersök bränsleledningarna och leta efter sprickor eller andra skador. Byt ut filtret vid behov
- Byt ut bränslefiltret i bränsletanken.

- Undersök alla kablar och anslutningar.
- Byt ut tändstiftet.
- Byt luftfilter.

#### Årligt underhåll

- Undersök tändstiftet.
- Rengör utvändiga ytor på förgasaren och angränsande områden.
- Rengör kylsystemet.
- Undersök gnistskyddet.
- Undersök bränslefiltret.
- Undersök bränsleslangen avseende skador.
- Undersök alla kablar och anslutningar.

#### Underhåll efter 50 timmar

- Låt ett godkänt servicecenter reparera eller byta ut luddämparen.

### Så justerar du tomgångsvarvtalet

- Se till att luftfiltret är rent och att luftfilterkåpan sitter fast innan du justerar tomgångsvarvtalet.
- Justera tomgångsvarvtalet med justerskruven T som är märkt med "T".
- Tomgångsvarvtalet är korrekt när motorn arbetar jämnt i alla positioner.

(Fig. 31)

1. Vrid justerskruven medurs för högre hastighet.
2. Vrid justerskruven moturs för lägre varvtal.

### Så utför du underhåll på gnistskyddet

Använd en stålborste för att rengöra gnistskyddet.

### Så rengör du kylsystemet

(Fig. 32)

Rengör kylsystemets delar med en borste.

### Så undersöker du tändstiftet



**OBSERVERA:** Använd alltid rekommenderad tändstiftstyp. Fel typ av tändstift kan orsaka skador på produkten.

- Undersök tändstiftet om motorn har låg effekt, är svår att starta eller inte fungerar korrekt vid tomgångsvarvtal.
- Följ dessa instruktioner om du vill minska risken för oönskat material på tändstiftets elektroder:
  - a) Se till att tomgångsvarvtalet är korrekt justerat.
  - b) Se till att bränsleblandningen är korrekt.
  - c) Se till att luftfiltret är rent.
- Om tändstiftet är smutsigt rengör du det och ser till att elektrodavståndet är korrekt, se *Tekniska data på sida 284*. (Fig. 33)
- Byt ut tändstiftet vid behov.

### Så utför du underhåll på luftfiltret

#### Rengöring av luftfiltret

1. Tag bort luftfilterkåpan och luftfiltret. (Fig. 34)
2. Rengör luftfiltret med hjälp av varmt tvålvatten. Se till att luftfiltret är torrt innan du installerar det.
3. Byt ut luftfiltret om det är för smutsigt för att rengöra helt. Byt alltid ut ett skadat luftfilter.
4. Om din produkt har ett skumluftfilter tillsätter du luftfilterolja. Applicera endast luftfilterolja på ett skumfilter. Använd inte olja på ett filter av filt.

## Tekniska data

	enhet	125B (125B28HV)	125BX (125B28HV)	125BVX (125B28HV)
<b>Motorspecifikationer</b>				
Cylindervolym	cm <sup>3</sup>	28	28	28
Elektroddgap	mm	0,6	0,6	0,6
Bränsletankvolym	cm <sup>3</sup>	500	500	500
Tomgångsvarvtal	min <sup>-1</sup>	2 800 - 3 200	2 800 - 3 200	2 800 - 3 200
Maximal effekt	min <sup>-1</sup>	8 000	8 000	8 000
Uteffekt	kW	0,8	0,8	0,8
Tändstift		Champion RCJ-6Y	Champion RCJ-6Y	Champion RCJ-6Y

Maxhastighet i blåsläge	min <sup>-1</sup>	8 600	8 600	8 600
Maxhastighet i sugläge	min <sup>-1</sup>	--	7 500	7 500
Hållbarhetsperiod	tim	50	50	50
<b>Buller- och vibrationsdata</b>				
Motsvarande vibrationsnivå i handtag med blåsarrör och munstycke (original) – se anm. 1	m/s <sup>2</sup>	11,03	11,03	11,03
Motsvarande vibrationsnivå i handtag med sugrör (original), vänster/höger – se anm. 1	m/s <sup>2</sup>	-- /--	12,16/12,29	12,16/12,29
Motsvarande ljudtrycksnivå vid användarens öra uppmätt enligt ISO 22868 utrustad med blåsarrör och munstycke (original) – se anm. 3	dB(A)	96	96	96
Ljudtryck vid örat på en person i närheten mätt enligt ANSI B175.2, med blåsarrör och munstycke (original)	dB(A)	71	71	71
Ljudeffektnivå, uppmätt – se anm. 2	dB(A)	109	109	109
Ljudeffektnivå, garanterad (L <sub>WA</sub> ) – se anm. 2	dB(A)	112	112	112
<b>Produktens mått</b>				
Vikt (utan bränsle men med blåsarrör och standardmunstycke monterat)	kg	4,3	4,4	4,4
<p><b>Anm. 1:</b> Rapporterade data för ekvivalent vibrationsnivå har en typisk statistisk spridning (standardavvikelse) på 1 m/s<sup>2</sup>.</p> <p><b>Anm. 2:</b> Emission av buller till omgivningen uppmätt som ljudeffekt (L<sub>WA</sub>) enligt EU-direktiv 2000/14/EU. Rapporterad ljudeffektnivå för maskinen har uppmätts med den originalutrustning som ger den högsta nivån. Skillnaden mellan garanterad och uppmätt ljudeffekt är att den garanterade ljudeffekten också inkluderar spridning i mätresultatet och variationen mellan olika maskiner av samma modell enligt direktiv 2000/14/EG.</p> <p><b>Anm. 3:</b> Rapporterade data för ekvivalent ljudtrycksnivå för maskinen har en typisk statistisk spridning (standardavvikelse) på 1 dB (A).</p>				

Fläkt	Enhet	125B	125BX	125BVX
Typ		Radialfläkt	Radialfläkt	Radialfläkt
Maxlufthastighet, standardmunstycke	km/h	217	217	217
Maxlufthastighet, höghastighetsmunstycke *	km/h	273	273	273
Luftvolym, blåsläge	cfm	425	425	425
Luftvolym, sugläge	cfm	--	445	445
*tillval för vissa modeller				

---

## Tillbehör

---

125B, 125BX, 125BVX

<b>Godkända tillbehör</b>	<b>Typ</b>
Takrännerensarkit	952 711 918
125BX, 125BX	
<b>Godkända tillbehör</b>	<b>Typ</b>
Sugkit	952 711 913
125B	
<b>Godkända tillbehör</b>	<b>Typ</b>
Höghastighetsmunstycke	545 119 501

## Innehållet i EG-försäkran om överensstämmelse

Vi, Husqvarna AB, SE 561 82 Huskvarna, SWEDEN, försäkrar på eget ansvar att denna produkt:

Certifikatet, som levereras med en undertecknad EU-försäkran om överensstämmelse, är tillämpligt på alla tillverkningsplatser och ursprungsländer, såsom anges på produkten.

Medföljande Gasoline Blower/ Blower-Vacuum överensstämmer med det exemplar som genomgick kontrollen.

Beskrivning	Gasoline Blower/ Blower-Vacuum
Varumärke	Husqvarna
Plattform/typ/modell	Plattform125B28HV, representerar modell 125B, 125BX, 125BVX
Parti	Serienummer daterade 2019 och framåt

uppfyller alla krav i följande EU-direktiv och förordningar:

Direktiv/förordning	Beskrivning
2006/42/EC	"angående maskiner"
2014/30/EC	"angående elektromagnetisk kompatibilitet"
2000/14/EC	"angående buller utomhus"
2011/65/EU	"angående begränsning av användning av vissa farliga ämnen"

Följande harmoniserade standarder och/eller tekniska specifikationer har använts: EN ISO 12100, EN ISO 1186-1, CISPR 12, ISO 14982, EN 50581

I enlighet med direktiv 2000/14/EC, bilaga V finns ljudvärdena angivna i avsnittet om tekniska data i denna handbok och i den undertecknade EU-försäkran om överensstämmelse.

Intertek har utfört en frivillig kontroll åt Husqvarna AB med ett certifikat om överensstämmelse med rådets direktiv 2006/42/EC om maskiner.

# İçindekiler

Giriş.....	287	Bakım.....	293
Güvenlik.....	288	Teknik veriler.....	294
Montaj.....	290	Aksesuarlar.....	296
Kullanım.....	291	AB Uyumluluk Bildiriminin İçeriği.....	296

## Giriş

### Kullanım kılavuzu

Bu kullanım kılavuzunun asıl dili İngilizcedir. Diğer dillerdeki kullanım kılavuzları İngilizceden çevrilmiştir.

(Şek. 1)

1. Omuz askısı (125BVX)
2. Gaz tetiği
3. DURDURMA anahtarı
4. Hız kontrolü
5. Fan muhafazası
6. Yakıt Tankı Kapağı
7. Hava filtresi
8. Jikle
9. Hava alma haznesi
10. Giriş kapağı
11. Vakum kolu (125BX ve 125BVX)
12. Kesiciler (125BX ve 125BVX)
13. Fan pervanesi
14. Standart uç
15. Yüksek hızlı uç (125BX ve 125BVX)
16. Üfleyici borusu
17. Boru kelepçe civatası
18. Boru kelepçesi somunları
19. Susturucu
20. Toprak kablosu
21. Çalıştırma kolu
22. Marş cihazı
23. Karbüratör ayar vidaları
24. Kullanım kılavuzu
25. Aşağıdaki parçalardan (26-30) oluşan kollektör bileşenlerini içeren vakumlama cihazı
26. Kollektör torbası borusu
27. Kollektör torbası
28. İki bölümlü vakum borusu
29. Vida
30. Omuz askısı

### Ürün üzerindeki semboller

(Şek. 2) Uyarı

(Şek. 3) Bu kılavuzu okuyun

(Şek. 4) Onaylı kulak koruma ekipmanı kullanın

### Genel bakış

(Şek. 4) Onaylı koruyucu gözlük kullanın

(Şek. 4) Onaylı toz maskesi kullanın

(Şek. 5) Onaylı koruyucu eldiven kullanın

(Şek. 6) Ürün, nesnelere fırlatılmasına neden olarak gözlere zarar verebilir

(Şek. 7) Güvenli mesafe

(Şek. 8) Döndüğü sırada pervaneye yaklaşmayın

(Şek. 9) Çocukların ürüne yaklaşmasına izin vermeyin

(Şek. 10) Ses gücü seviyesi

(Şek. 11) Gürültü düzeyi

(Şek. 12) Uzun saçları omuzdan yukarıda toplayın

(Şek. 13) Ürün, geçerli AB direktiflerine uygundur

(Şek. 14) Ürün, geçerli EAC direktiflerine uygundur

(Şek. 15) Ürün, geçerli Ukrayna direktiflerine uygundur

**Not:** Ürünün üzerindeki diğer semboller/etiketler, diğer ticari alanların sertifikalandırma gereklilikleri ile ilgilidir.

### Avrupa V Emisyonları



**UYARI:** Motorun kurcalanması bu ürünün AB tip onayını geçersiz kılar.

### Ürün sorumluluğu

Ürün sorumluluğu yasalarında belirtildiği üzere;

- ürünün hatalı bir şekilde onarılması,
- ürünün, üretici tarafından onaylanmayan veya üreticiden alınmayan parçalarla tamir edilmesi,
- üründe, üreticiden alınmayan veya üretici tarafından onaylanmayan bir aksesuar bulunması,

- ve ürünün, onaylı bir servis merkezinde veya yetkili bir kurum tarafından tamir edilmemesi durumunda oluşabilecek hasarlardan sorumlu değildir.

## Güvenlik

### Güvenlik tanımları

Aşağıdaki tanımlar, her bir sinyal kelimesinin önem derecesini belirtir.



**UYARI:** Yaralanma tehlikesi.



**DIKKAT:** Ürünün hasar görme tehlikesi.

**Not:** Bu bilgiler, ürünün kullanımını kolaylaştırır.

### Genel güvenlik talimatları



**UYARI:** Ürünü kullanmadan önce aşağıdaki uyarı talimatlarını okuyun.

- Ürünü doğru şekilde kullanın. Yaralanma veya ölüm, hatalı kullanımın olası sonuçlarıdır. Ürünü, yalnızca bu kılavuzda belirtilen işler için kullanın. Ürünü başka işler için kullanmayın.
- Bu kılavuzdaki talimatlara uyun. Güvenlik sembollerine ve güvenlik talimatlarına uyun. Operatörün talimatlara ve sembollere uymaması yaralanma, hasar veya ölüme sonuçlanabilir.
- Bu kılavuzu atmayın. Ürününüzü monte etmek, çalıştırmak ve iyi durumda tutmak için talimatlara başvurun. Atışmanların ve aksesuarların doğru kurulumu için talimatlara başvurun. Yalnızca onaylanmış atışmanları ve aksesuarları kullanın.
- Hasarlı ürünü kullanmayın. Bakım takvimine uyun. Yalnızca bu kılavuzda ilgili talimatı bulduğunuz bakım çalışmalarını gerçekleştirin. Diğer tüm bakım işlerini onaylı bir servis merkezi yapmalıdır.
- Bu kılavuz, ürünü kullanırken oluşabilecek tüm durumları kapsayamaz. Dikkatli olun ve sağduyunuzu kullanın. Durumdan emin değilseniz ürünü kullanmayın veya ürün üzerinde bakım yapmayın. Bilgi almak için bir ürün uzmanına, bayinize, servis noktasına veya onaylı servis merkezine danışın.
- Ürünü monte etmeden, saklamadan veya ürün üzerinde bakım yapmadan önce buji kablosunun bağlantısını kesin.
- Orijinal özellikleri değiştirilmişse ürünü kullanmayın. Üreticinin onayı olmadan ürünün bir parçasını değiştirmeyin. Yalnızca üretici tarafından onaylanmış

parçaları kullanın. Hatalı bakım çalışmaları, yaralanma veya ölüme sonuçlanabilir.

- Motordan çıkan dumanları solumayın. Motordan çıkan egzoz dumanlarını uzun süre solumak sağlık açısından risklidir.
- Ürünü kapalı yerlerde veya yanıcı maddelerin yakınında çalıştırmayın. Egzoz dumanları sıcaktır ve bir yangına neden olabilecek kıvılcımlar içerebilir. Nefessiz kalma veya karbon monoksit nedeniyle yeterli hava akışının olmaması yaralanmaya veya ölüme sebep olabilir.
- Bu ürünü kullandığınızda motor, elektromanyetik bir alan oluşturur. Elektromanyetik alan, tıbbi implantlara zarar verebilir. Ürünü kullanmadan önce doktorunuzla ve tıbbi implant üreticinizle iletişime geçin.
- Ürünü, bir çocuğun kullanımına izin vermeyin. Talimatlar hakkında bilgisi olmayan birinin ürünü çalıştırmasına izin vermeyin.
- Fiziksel veya zihinsel kapasitesi düşük olan bir kişi ürünü kullanırken daima gözetim altında tutun. Sorumluluk sahibi bir yetişkin her zaman orada olmalıdır.
- Ürünü, çocukların ve onaylanmayan kişilerin ulaşamayacağı bir yere kilitleyin.
- Ürün, nesnelere fırlatarak yaralanmaya sebep olabilir. Yaralanma veya ölüm riskini azaltmak için güvenlik talimatlarına uyun.
- Motor açıkken üründen uzaklaşmayın.
- Oluşabilecek kazalardan operatör sorumludur.
- Ürünü kullanmadan önce parçaların hasarlı olmadığından emin olun.
- Ürünü kullanmadan önce diğer insanlardan veya hayvanlardan en az 15 m (50 ft) uzakta olduğunuzdan emin olun. Etrafınızdaki kişilerin ürünü kullanacağınıza bildiklerinden emin olun.
- Ulusal veya yerel yasalara uyun. Bazı koşullarda bu yasalar, ürünün kullanımını önleyebilir veya kısıtlayabilir.
- Ürünü yorgunken veya alkol, uyuşturucu ya da ilaç etkisi altındayken kullanmayın. Bu maddeler; görmenizi, dikkatinizi, koordinasyonunuzu ya da karar alma yetinizi etkileyebilir.

### Titreşim güvenliği

Bu ürün yalnızca ara sıra kullanım içindir. Ürünün aralıksız ya da düzenli olarak kullanılması titreşimden kaynaklanan "beyaz parmak" hastalığına veya benzer tıbbi sorunlara yol açabilir. Ürünü aralıksız ya da düzenli olarak kullanıyorsanız ellerinizin ve parmaklarınızın durumunu inceleyin. Ellerinizde ya da parmaklarınızda renk solması, ağrı, karıncalanma veya hissizlik varsa çalışmayı bırakın ve derhal bir doktora gidin.



## Üfleycinin çalışmasıyla ilgili güvenlik talimatları

- Ürünü yalnızca yerdeki yaprak ve diğer döküntüleri üfleme için kullanın.
- Ürünü yorgunken, hastayken veya alkol ya da ilaç etkisi altındayken çalıştırmayın.
- Çevredeki kişilerin veya hayvanların operatöre 15 m'den (50 ft) fazla yaklaşmalarına izin vermeyin.
- Ürün, nesnelere yüksek hızda fırlatabilir ve bunlar sekerek operatöre çarpabilir. Bu, göze zarar verebilir.
- Üfleycinin ucunu insanlara veya hayvanlara doğrultmayın.
- Uzun saçları omuzdan yukarıda toplayın.
- Aksesuarları veya diğer parçaları takmadan ya da sökmeyen önce motoru durdurun.
- Ürünü siperiksiz çalıştırmayın.
- Çalışma alanında insanlar varsa ürünü çalıştırmayın. Çalışma alanına biri girerse ürünü durdurun.
- Ürünü, hava akışı yetersiz olan yerlerde çalıştırmayın. Hava akışının yeterli olmaması, nefessiz kalma veya karbon monoksit nedeniyle yaralanmaya ya da ölüme yol açabilir.
- Ürün açıkken, durduktan sonra ve rölantide çalışırken susturucu çok sıcaktır. Yanıcı maddelerin ve yanıcı gazların yakınındayken dikkatli olun.
- Giriş kapağı bölgesine dokunmayın. Taki ve bol duran giysileri giriş bölgesinden uzak tutun.
- Her zaman doğru bir şekilde yere basın. Ürünü yalnızca güvenli ve düz yüzeylerde çalıştırın. Merdiven gibi sabit olmayan veya kaygan yüzeyler denge ya da kontrol kaybına neden olabilir.
- Ürünü çatı gibi yüksek yerlerde çalıştırmayın.
- Nakliye sırasında ürünü sabitleyin.
- Ürünü yalnızca önerilen saatlerde çalıştırın. Yerel düzenlemelere uyun. Genellikle, Pazartesi - Cumartesi 09:00-17:00 saatleri arasında çalıştırılması önerilir.
- Çalışmanız sırasında ürünü mümkün olan en düşük gaz seviyesinde çalıştırın.
- Ürünü kullanırken düşme ihtimaliniz olmadığından emin olun. Ürünü kullanırken eğilmeyin.
- Çalıştırmadan önce, özellikle susturucu, hava girişi ve hava filtresi olmak üzere, ürünün iyi durumda olduğundan emin olun.
- Ürünün çalışmasından önce yerdeki döküntüleri dağıtmak için bir tırmık veya süpürge kullanın.
- Çalışma alanı kirliyse hortumla su püskürterek temizleyin.
- Su tasarrufu yapmak için hortumla temizlik yerine ürünü kullanın.
- Döküntüleri güvenli bir şekilde üfletin. Çocuklara, hayvanlara, açık pencerelere veya araçlara dikkat edin.
- Ürünü kolayca zarar gören bitkilere doğrultmayın.

- Duvar, büyük taşlar, araçlar veya çitler gibi nesnelere doğru hava üfletmeyin.
- İçerideki köşelerde çalışıyorsanız köşeden çalışma alanının ortasına doğru üfletin. Aksi halde, döküntüler yüzünüze çarparak gözlerinizin yaralanmasına neden olabilir.
- Hava akışının zemine yakın olmasını sağlamak için tam uç uzatmasını kullanın.
- Çevredekilerin koruyucu gözlük takması gereklidir.
- Ürünü kullandıktan sonra atık kaplarındaki döküntüleri bertaraf edin.

## Vakumun kullanımıyla ilgili güvenlik talimatları

- Fanın hasar görmesini önleyin. Ahşap, teneke kutu, kauçuk malç gibi katı ve büyük nesnelere veya uzun ip parçalarını vakumlamayın.
- Vakum borusunun yere çarpmasına dikkat edin.
- Bir tıkanıklığı açmak veya tıkanmaya neden olan bir maddeyi çıkarmak için önce motoru durdurun ve buji kapağını çıkarın.

## Kişisel koruyucu ekipman

- Ürünü kullanırken her zaman uygun kişisel koruyucu ekipmanlar kullanın. Kişisel koruyucu ekipmanlar yaralanma riskini ortadan kaldırmaz. Kişisel koruyucu ekipmanlar, bir kaza oluşması durumunda yaralanma derecesini azaltır.
- Ürünü kullanırken daima onaylı bir koruyucu gözlük kullanın.
- Ürünü çıplak ayakla veya açık ayakkabılarla kullanmayın. Her zaman ağır hizmet tipi kaymayan botlar giyin.
- Kalın, uzun pantolonlar giyin.
- Gerekliyse onaylı koruyucu eldivenler takın.
- Nesnelere kafanıza düşme riski varsa bir baret kullanın.
- Ürünü kullanırken daima onaylı bir koruyucu kulaklık takın. Uzun süre boyunca gürültüye maruz kalmak gürültüye bağlı işitme kaybına neden olabilir.
- Ürünü tozlu ortamlarda çalıştırırken her zaman onaylı bir toz maskesi kullanın.
- Yakınızdaki bir ilk yardım kiti bulunduğundan emin olun.

## Ürün üzerindeki koruyucu cihazlar

- Ürünün bakımını düzenli olarak yaptığınızdan emin olun.
  - Ürünün kullanım ömrü artar.
  - Kaza riski azalır.
- Ürün üzerinde ayarlama veya onarım yapılması için düzenli olarak ürünün onaylı bir bayi veya onaylı bir servis merkezi tarafından incelenmesini sağlayın.
- Ürünü, hasarlı koruyucu ekipmanla kullanmayın. Ürün hasar görürse onaylı bir servis merkeziyle görüşün.

## Durdurma anahtarı

Motoru başlatın. Durdurma anahtarını durma konumuna getirdiğinizde motorun durduğundan emin olun. (Şek. 16)

## Susturucu



**UYARI:** Sıcaksa susturucuya dokunmayın. Motor çalışırken ve durduktan sonra susturucu çok sıcaktır. Susturucuya dokunmak yanıklara neden olabilir.

- Susturucusu hasar görmüş motor kullanmayın. Hasarlı bir susturucu, gürültü düzeyini ve yangın riskini artırır. Yakında bir yangın söndürücü bulundurun.
- Susturucunun ürüne takılı olup olmadığını düzenli olarak kontrol edin.
- Motor açıkken motora veya susturucuya dokunmayın. Motor durduktan sonra motora veya susturucuya bir süre boyunca dokunmayın. Sıcak yüzeyler yaralanmalara sebep olabilir.
- Sıcak susturucu yangına neden olabilir. Ürünü yanıcı sıvıların veya dumanların yakınında kullanırken dikkatli olun.
- Susturucu hasar görmüşse susturucudaki parçalara dokunmayın. Parçalar kanserojen kimyasallar içerebilir.
- Bazı üfleyici modellerinde kıvılcım önleyici siperlik vardır. Siperliği belirtilen aralıklarla temizleyin ve değiştirin. Bakım bölümüne (*Bakım sayfada: 293*) bakın.

(Şek. 17)

## Yakıt güvenliği

- Ürünün üzerinde yakıt veya motor yağı varsa ürünü çalıştırmayın. İstenmeyen yakıtı/yağı temizleyin ve ürünün kurumasını bekleyin. Üründeki istenmeyen yakıtı temizleyin.
- Kıyafetlerinize yakıt bulaşırsa kıyafetlerinizi hemen değiştirin.
- Vücudunuza yakıt bulaştırmayın; bu, yaralanmaya sebep olabilir. Vücudunuza yakıt bulaşırsa yakıtı temizlemek için su ve sabun kullanın.
- Ürüne ya da vücudunuza yağ veya yakıt dökerseniz motoru çalıştırmayın.
- Motorunda sızıntı varsa ürünü çalıştırmayın. Motorunda sızıntı olup olmadığını düzenli olarak kontrol edin.

- Yakıtla uğraşırken dikkatli olun. Yakıt yanıcı ve dumanlar patlayıcıdır; yaralanmalara veya ölüme sebep olabilir.
- Yaralanmaya sebep olabileceğinden yakıt dumanını solumayın. Yeterli hava akışı olduğundan emin olun.
- Yakıtın veya motorun yakınında sigara içmeyin.
- Yakıtın veya motorun yakınına sıcak nesnelere koymayın.
- Motor açıkken yakıt eklemeyin.
- Yakıtı yenilemeden önce motorun soğuduğundan emin olun.
- Yakıtı yenilemeden önce yakıt tankı kapağını yavaşça açın ve basıncı dikkatlice tahliye edin.
- Kapalı bir alanda motora yakıt eklemeyin. Nefessiz kalma veya karbon monoksit nedeniyle yeterli hava akışının olmaması yaralanmaya veya ölüme sebep olabilir.
- Yakıt tankı kapağını dikkatlice sıkın; aksi takdirde yangın çıkabilir.
- Çalıştırmadan önce ürünü, yakıt tankını doldurduğunuz konumdan en az 3 m (10 ft) uzağa taşıyın.
- Yakıt tankına çok fazla yakıt doldurmayın.
- Ürünü veya yakıt konteynerini taşıırken sızıntı olmadığından emin olun.
- Ürünü veya bir yakıt konteynerini açık ateşin, kıvılcımın veya pilot alevinin olduğu bir alana koymayın. Depolama alanında açık alev olmadığından emin olun.
- Yakıtı taşıırken veya depolarken yalnızca onaylı konteynerleri kullanın.
- Ürünü uzun süre saklamadan önce yakıt tankını boşaltın. Yakıtın nereye atılacağı konusunda yerel yasalara uyun.
- Ürünü uzun süre saklamadan önce temizleyin.
- Motorun kazara çalışmasını engellemek için ürünü saklamadan önce buji kablosunu çıkarın.

## Bakım için güvenlik talimatları



**UYARI:** Yanlış bakım işlemi, motorun ciddi hasar görmesine veya ciddi yaralanmalara neden olabilir.

Makine sahibi, kullanım kılavuzunda belirtilen gerekli tüm bakımların yapılmasından sorumludur. Bakımdan önce bujiyi sökün. Karbüratör ayarlamalarından önce bujiyi sökmeyin.

## Montaj



**UYARI:** Ürünü monte etmeden önce güvenlik bölümünü okuyun.

## Üfleyici borusunun ve ucun ürüne takılması

**Not:** Üfleyici borusunu üfleyici çıkışına takmak için civataya yeterince gevşek olmalıdır. Civatayı gevşetmek için tornavidayla saat yönünün tersine döndürün.

1. Üst üfleyci borusunun üzerindeki girintiyi üfleyci çıkışıdaki oyukla hizalayın. Boruyu yerine takın.
2. Boruyu bağlamak için civatayı tornavidayla saat yönünde döndürün.

**Not:** Somunda herhangi bir araç kullanmayın.

3. Alt üfleyci borusundaki yuvaları üfleyci üst borusundaki çıkıntılarla aynı hizaya getirin. Alt üfleyci borusunu üst üfleyci borusunun üzerine getirin.
4. Alt üfleyci borusunu tık sesi gelene kadar saat yönünde döndürün.

## Kollektör torbasının farklı vakum borularıyla takılması



**UYARI:** Boruları ürüne takmadan önce motoru kapatın.

### Kollektör torbasının boşaltılması

1. Kollektör torbasını açın.
2. Kollektör torbası borusunu torbanın içinden geçirerek, yandaki şekilde gösterildiği gibi torbanın vakum giriş ağzına takın.
3. Lastiğin oluğa (A) oturduğundan emin olun.
4. Torba üzerindeki fermuarı kapatın. (Şek. 18)

### Kollektör torbası borusunu takma

1. Takılıysa üfleyci borusunu çıkarın.
2. Kollektör torbası borusunun üzerindeki çıkıntıyı (A), üfleyci çıkışıdaki olukla (B) hizalayın.

3. Kollektör torbası borusunu, üfleyci çıkışına tam olarak itin.
4. Somunu (C) yuvasına takın.
5. Vidayı (D) takip tornavidayla sıkarak boruyu takın. (Şek. 19)

### Vakum borularının birbirine takılması

1. Alt vakum borusundaki oku (A) üst vakum borusundaki okla (B) hizalayın.
2. Alt vakum borusunu, üst vakum borusuna itin.
3. Boruların bir arada durmasını sağlayan kendinden oturan vidayı (C) tornavidayla kullanarak takın. (Şek. 20)

### Vakum borularının takılması

1. Bir tornavidanın ucunu vakum girişindeki mandal alanına takın.
2. Mandalı serbest bırakmak için tornavidayı çevirin. (Şek. 21)
3. Üst vakum borusu yerine oturana kadar vakum girişi kapağını açık tutun.
4. Vakum girişinin iç kısmındaki çıkıntılar üst vakum borusunun üstündeki yuvalarla hizalayın. Boru üzerindeki kilit simgesinin, vakum girişindeki açık kilit simgesiyle hizalandığından emin olun. (Şek. 22)
5. Üst vakum borusunu vakum girişinin içine doğru tamamen itin.
6. Boru üzerindeki kilit simgesi, vakum girişinin üzerindeki kilit simgesiyle hizalanana kadar üst vakum borusunu saat yönünde döndürün. Doğru şekilde takıldığında buradan bir tık sesi gelecektir. (Şek. 23)

## Kullanım



**UYARI:** Ürünü kullanmadan önce güvenlik bölümünü okuyup anlayın.

### Yakıt

#### Yakıtın kullanılması



**DİKKAT:** Bu üründe iki devirli motor bulunur. Benzin ve iki devirli motor yağı karışımı kullanın. Karışımda doğru miktarda yağ kullandığınızdan emin olun. Yanlış benzin ve yağ oranı motora zarar verebilir.

### Benzin



**DİKKAT:** Oktan numarası 90 RON (87 AKI) değerinin altında olan benzin kullanmayın. Bu, üründe hasara neden olabilir.



**DİKKAT:** %10'dan fazla etanol konsantrasyonu (E10) içeren benzin kullanmayın. Bu, üründe hasara neden olabilir.



**DİKKAT:** Kurşunlu benzin kullanmayın. Bu, üründe hasara neden olabilir.

- Her zaman minimum 90 RON (87 AKI) oktan numarasına sahip ve %10'dan az etanol konsantrasyonu (E10) içeren yeni kurşunsuz benzin kullanın.
- Ürünü sık sık ve sürekli olarak yüksek motor devrinde kullanıyorsanız daha yüksek oktan numarasına sahip benzin kullanın.
- Daima kaliteli kurşunsuz benzin/yağ karışımı kullanın.

## İki devirli motor yağı

- Yalnızca yüksek kaliteli iki devirli motor yağı kullanın. Yalnızca hava soğutmalı motor yağı kullanın.
- Diğer yağ türlerini kullanmayın.
- Karışım oranı 50:1'dir (%2)

Benzin	Yağ
1 ABD Gal.	77 ml (2,6 oz)
1 BK Gal.	95 ml (3,2 oz)
5 l	100 ml (3,4 oz)

## Yakıt karışımının hazırlanması

**Not:** Yakıt karıştırırken daima temiz bir yakıt konteyneri kullanın.

**Not:** 30 gün içinde tüketilemeyecek miktarda yakıt karışımı hazırlamayın.

1. Benzin miktarının yarısını ekleyin.
2. Yağ miktarının tümünü ekleyin.
3. İçeriğin karışması için yakıt karışımını çalkalayın.
4. Kalan benzin miktarını ekleyin.
5. İçeriğin karışması için yakıt karışımını çalkalayın.
6. Yakıt tankını doldurun.

## Yakıtın eklenmesi

- Her zaman sıçratma karşıtı valfi olan bir yakıt konteyneri kullanın.
- Konteynerde yakıt varsa istenmeyen yakıtı boşaltın ve konteynerin kurumasını bekleyin.
- Yakıt tankı kapağının etrafındaki bölgenin temiz olduğundan emin olun.
- Yakıt karışımını yakıt tankına eklemeyen önce yakıt konteynerini çalkalayın.

## Çalıştırma ve durdurma

### Motoru çalıştırmadan önce

- Üründe eksik, hasarlı, gevşek veya aşınmış parçalar olup olmadığını kontrol edin.
- Kollektör torbasını kontrol edin. Kollektör torbasının hasar görmemiş ve fermuarın kapalı olduğundan emin olun.
- Somun, vida ve civataları kontrol edin.
- Hava filtresini kontrol edin.
- Gaz tetiğinin düzgün çalışıp çalışmadığını kontrol edin.
- Durdurma düğmesinin düzgün çalışıp çalışmadığını kontrol edin.
- Üründe yakıt sızıntısı olup olmadığını kontrol edin.

## Soğuk motoru çalıştırma



**UYARI:** Çalıştırma ipini kolunuza dolamayın.



**DİKKAT:** Ürünü ayağınızla tutmayın.



**DİKKAT:** Çalıştırma ipini sonuna kadar çekmeyin. Çalıştırma ipi çekilmiş durumdayken çalıştırma ipi kolunu bırakmayın. Aksi halde ürün zarar görebilir.

**Not:** Motor durursa jikle kontrolünü kapalı konuma getirin ve çalıştırma adımlarını tekrarlayın.

1. Yakıt tankını temiz bir yakıt karışımıyla doldurun.
2. Primer ampulüne 10 kez basın. (Şek. 24)
3. Motor jikle kontrolünü TAM JİKLE (kapalı) konumuna getirin. (Şek. 25)
4. Değişken hız kontrolünü saat yönünün tersine tamamen itin. (Şek. 26)
5. Makinenin gövdesini zeminin üzerinde tutmak için sol elinizi kullanın.
6. Motor çalışmaya başlayana kadar çalıştırma ipi kolunu çekin. 3 defadan fazla çekmeyin.
7. Jikle kontrolünü 1/2 konumuna getirin ve çalıştırma ipi kolunu motor başlatılıp çalışana kadar çekin. (Şek. 27)
8. Motoru yaklaşık 10 saniye çalıştırın.
9. Geri kalan tüm adımlarda gaz tetiğine tamamen basın ve basılı tutun.
10. Jikle kontrolünü OFF CHOKE (JİKLE KAPALI) (açık) konumuna getirin. (Şek. 28)
11. Motoru 1 dakika ısıtın.

## Sıcak motoru çalıştırma

1. Gaz tetiğine basın ve tetiği basılı tutun.
2. Jikle kontrolünü 1/2 konumuna getirin.
3. Gaz tetiğini çekerken motor çalışana kadar çalıştırma ipi kolunu hızlıca çekin.
4. Jikle kontrolünü OFF CHOKE (JİKLE KAPALI) (açık) konumuna getirin.

## Motorun durdurulması

- Motor STOP (durdurma) anahtarına basıp bırakın. Anahtar otomatik olarak ON (açık) konumuna döner. Anahtarın sıfırlandığından emin olmak için ürünü yeniden çalıştırmayı denemeden önce 7 saniye bekleyin.

## Uç kullanımı

- Hassasiyet ve yüksek hava akışı konsantrasyonu gerekli olduğunda standart ucu kullanın. (Şek. 29)
- Daha büyük bir hava akışı ve yüksek hava hızı gerekli olduğunda, yüksek hızlı ucu kullanın. (Şek. 30)

## Üfleyci ucunun ayarlanması

1. Bayonet montajı çıkarmak için ucu sola doğru kıvrın.
2. Ucu uygun konuma getirin.
3. Bir tıklama hissedene kadar ucu sağa kıvrın.

## Vakumlama

Vakumlamadan önce gerekli güvenlik ekipmanlarını takın.



**UYARI:** Kullanımdan önce kollektör torbasının hasar görmemiş ve fermuarın kapalı olduğundan emin olun. Hasarlı torba kullanmayın. Böylece havaya sıçrayan döküntülerin neden olabileceği yaralanmalar önlenir. Sol elle kullanma, riski artırır. Egzoz çıkış bölgesine vücudunuzun temas etmesinden kaçınin.



**UYARI:** Giriş kapağı açık veya hasarlıysa üfleyciyi çalıştırmayın (vakum borusu takılıysa çalıştırılabilir).

- Üfleyci kullanılırken kollektör torbası omuz askısıyla taşınmalıdır. Askı omzun üst kısmına takılmalıdır.
- Üfleyciyi çalıştırın. Çalıştırma ve durdurma bölümündeki *Çalıştırma ve durdurma sayfada: 292* talimatlara uyun. Güvenlik talimatlarını *Güvenlik sayfada: 288* okuyun.

## Kollektör torbasının boşaltılması



**UYARI:** Kollektör torbasını her zaman kontrol edin. Kullanımdan önce torbanın hasar görmemiş ve fermuarın kapalı olduğundan emin olun. Hasarlı torbayı kullanmayın. Havaya sıçrayan döküntüler nedeniyle yaralanma riski vardır. Sol elinizle çalışıyorsanız dikkatli olun. Egzoz çıkış bölgesine dokunmayın.

1. Ürünü durdurun.
2. Yandaki fermuarı açın.
3. Kollektör torbasını boşaltın.
4. Fermuarı kapatın.

## Bakım



**UYARI:** Ürünü temizlemeden, ürün üzerinde onarım veya bakım işlemi yapmadan önce güvenlik bölümünün okuyup anlayın.

- Toplama torbasının hasar görmemiş olduğundan ve fermuarın çalıştığından emin olun. Gerekirse torbayı değiştirin.

### Haftalık bakım

- Marş cihazının, çalıştırma ipinin ve gergi yayının durumunu kontrol edin. Tüm hasarlı parçaları değiştirin.
- Marş cihazındaki hava giriş kısmının durumunu kontrol edin. Hava girişi tıkalıysa döküntüleri çıkarın.
- Bujinin dış kısmını temizleyin. Bujiyi sökün ve elektrot boşluğunu kontrol edin. Aralığı 6 mm (0,024 inç) olarak ayarlayın veya bujiyi değiştirin.
- Pervanenin kanatlarını temizleyin.
- Kivılcım önleyici siperliği temizleyin ve gerekirse değiştirin (katalitik dönüştürücülü susturucular için geçerli değildir).
- Karbüratör bölgesini temizleyin.
- Hava filtresini temizleyin.

### Aylık bakım

- Çalıştırma ipi tutacağı ve çalıştırma ipini kontrol edin.
- Yakıt tankını temizleyin.
- Karbüratörü ve etrafındaki alanı temizleyin.

## Bakım takvimi

Bakım takvimine uyduğunuzdan emin olun. Bakım aralıkları, ürünün günlük kullanımına göre hesaplanır. Ürünü her gün kullanmıyorsanız aralıklar farklı olur. Yalnızca bu kılavuzda bulunan bakım çalışmalarını gerçekleştirin. Bu kılavuzda bulunmayan diğer bakım çalışmaları için onaylı bir servis merkeziyle görüşün.

### Günlük bakım

- Dış yüzeyleri temizleyin.
- Hız kontrolü ve gaz tetiği işlevini kontrol edin. Hasarlı parçaları değiştirin
- Durdurma anahtarını kontrol edin. Gerekirse değiştirin.
- Rölantiyi kontrol edin.
- Hava filtresini temizleyin. Gerekirse değiştirin.
- Giriş kapağının kapalı konumda kilitlenebildiğinden emin olun. Pervanenin temiz olduğundan emin olun.
- Tüm somunları ve vidaları sıkın.
- Yataklarda çatlak olmadığından emin olun.

- Pervanenin kanatlarını temizleyin.
- Yakıt hatlarında çatlak veya başka bir hasar olup olmadığını kontrol edin. Gerekirse değiştiriniz
- Yakıt tankındaki yakıt filtresini değiştirin.
- Tüm kabloları ve bağlantıları kontrol edin.
- Bujiyi değiştirin.
- Hava filtresini değiştirin.

#### Yıllık bakım

- Bujiyi kontrol edin.
- Karbüratörün dış yüzeyini ve yanındaki alanları temizleyin.
- Soğutma sistemini temizleyin.
- Kıvılcım önleyici siperliği kontrol edin.
- Yakıt filtresini kontrol edin.
- Yakıt hortumunda hasar olup olmadığını kontrol edin.
- Tüm kabloları ve bağlantıları kontrol edin.

#### 50 saatlik bakım

- Susturucunun onarımını veya değişimini onaylı bir servis merkezine yaptırın.

### Rölantinin ayarlanması

- Rölantiyi ayarlamadan önce hava filtresinin temiz ve hava filtresi kapağının takılı olduğundan emin olun.
- "T" işaretiyle belirtilmiş rölanti T ayar vidası ile rölantiyi ayarlayın.
- Motorun her konumda sorunsuz çalışması rölantinin doğru ayarlandığı anlamına gelir.

(Şek. 31)

1. Daha yüksek hız için rölanti ayar vidasını saat yönünde döndürün.
2. Daha düşük hız için rölanti ayar vidasını saat yönünün tersine döndürün.

### Kıvılcım önleyici siperliğin bakımı

Kıvılcım önleyici siperliği temizlemek için bir tel fırça kullanın.

### Soğutma sistemini temizleme

(Şek. 32)

Soğutma sisteminin parçalarını bir fırçayla temizleyin.

### Bujinin kontrol edilmesi



**DİKKAT:** Daima önerilen tipte buji kullanın. Yanlış buji türü ürüne zarar verebilir.

- Motor gücü düşükse, çalıştırılması kolay değilse veya rölantide düzgün bir şekilde çalışmıyorsa bujiyi kontrol edin.
- Buji elektrotlarında istenmeyen nesne riskini azaltmak için şu talimatlara uyun:
  - a) Rölanti hızının doğru ayarlandığından emin olun.
  - b) Yakıt karışımının doğru olduğundan emin olun.
  - c) Hava filtresinin temiz olduğundan emin olun.
- Buji kırılysa temizleyin ve elektrot boşluğunun doğru olduğundan emin olun, bkz. *Teknik veriler sayfa: 294.* (Şek. 33)
- Gerekirse bujiyi değiştirin.

### Hava filtresinin bakımı

#### Hava filtresinin temizlenmesi

1. Hava filtresi kapağını ve hava filtresini çıkarın. (Şek. 34)
2. Hava filtresini ılık, sabunlu suyla temizleyin. Takmadan önce hava filtresinin kuru olduğundan emin olun.
3. Tamamen temizlenmeyecek kadar kirlenmişse hava filtresini değiştirin. Hasar görmüş hava filtrelerini daima değiştirin.
4. Ürününüzde köpük hava filtresi varsa hava filtresi yağı uygulayın. Hava filtresi yağını yalnızca köpük filtreye uygulayın. Keçe filtreye yağ uygulamayın.

## Teknik veriler

	birim	125B (125B28HV)	125BX (125B28HV)	125BVX (125B28HV)
<b>Motor Teknik Özellikleri</b>				
Silindir hacmi	cm <sup>3</sup>	28	28	28
Elektrot boşluğu	mm	0,6	0,6	0,6
Yakıt tankı hacmi	cm <sup>3</sup>	500	500	500
Rölanti devri	dak <sup>-1</sup>	2800 - 3200	2800 - 3200	2800 - 3200

Maksimum güç hızı	dak <sup>-1</sup>	8000	8000	8000
Güç çıkışı	kW	0,8	0,8	0,8
Buji		Champion RCJ-6Y	Champion RCJ-6Y	Champion RCJ-6Y
Maksimum hızda üfleme modu	dak <sup>-1</sup>	8600	8600	8600
Maksimum hızda vakum modu	dak <sup>-1</sup>	--	7500	7500
Emisyon dayanıklılığı süresi	saat	125	125	125
<b>Gürültü ve Titreşim Verileri</b>				
Üfleme boruları ve ucu (orijinal) bulunan kollarla eşdeğer titreşim seviyesi - not 1'e bakın	m/sn <sup>2</sup>	11,03	11,03	11,03
Vakum boruları (orijinal) bulunan kollarla eşdeğer titreşim seviyesi, sol/sağ - not 1'e bakın	m/sn <sup>2</sup>	--/--	12,16/12,29	12,16/12,29
Üfleme boruları ve uçla (orijinal) donatılmış makinede operatör kulağında ISO 22868'e göre ölçülen eşdeğer ses basıncı seviyesi - not 3'e bakın	dB(A)	96	96	96
Üfleme boruları ve uçla (orijinal) donatılmış makinenin etrafındaki kişilerin kulağında ANSI B175.2'ye göre ölçülen ses basıncı seviyesi	dB(A)	71	71	71
Ses gücü seviyesi, ölçülen - bkz. not 2	dB(A)	109	109	109
Ses gücü seviyesi, garanti edilen (L <sub>WA</sub> ) - bkz. not 2	dB(A)	112	112	112
<b>Ürün Boyutları</b>				
Ağırlık (yakıtsız, ancak üfleme borusu ve standart uç takılı halde)	kg	4.3	4.4	4.4
<b>Not 1:</b> Eş değer titreşim seviyesi için bildirilen verilerin tipik istatistik dağılımı (standart sapması) 1 m/sn <sup>2</sup> şeklindedir.				
<b>Not 2:</b> Ses gücü (L <sub>WA</sub> ) türünden ortamda ölçülen gürültü yayma değeri, 2000/14/AT sayılı AT direktifine uygun olarak ölçülmüştür. Makine için bildirilen ses gücü seviyesi, en yüksek seviyeyi veren orijinal ataşmanla ölçülmüştür. Garanti edilen ve ölçülen ses düzeyi arasındaki fark, garantili ses gücünün 2000/14/AT Sayılı Direktif doğrultusunda ölçüm sonucundaki dağılımı ve aynı modelden farklı makineler arasındaki değişimleri de içermesidir.				
<b>Not 3:</b> Makinenin eşdeğer ses basıncı düzeyi için bildirilen verilerdeki tipik istatistik dağılımı (standart sapma) 1 dB (A) şeklindedir.				

Fan	Birim	125B	125BX	125BVX
Tip		Radyal fan	Radyal fan	Radyal fan
Maks. hava hızı, standart uç	km/s	217	217	217
Maks. hava hızı, yüksek hızlı uç*	km/s	273	273	273
Hava hacmi üfleme modu	cfm	425	425	425
Hava hacmi vakum modu	cfm	--	445	445
*bazı modeller için isteğe bağlı aksesuar				

## Aksesuarlar

125B, 125BX, 125BVX	
<b>Onaylı aksesuarlar</b>	<b>Tip</b>
Oluk temizleme kiti	952 711 918
125BX, 125BX	
<b>Onaylı aksesuarlar</b>	<b>Tip</b>
Vakum kiti	952 711 913
125B	
<b>Onaylı aksesuarlar</b>	<b>Tip</b>
Yüksek hızlı uç	545 119 501

## AB Uyumluluk Bildiriminin İçeriği

Husqvarna AB, SE 561 82 Huskvarna, SWEDEN olarak sunulan ürünün tek sorumlusu olma vasfıyla aşağıdaki beyanlarda bulunmaktayız:

2000/14/EC direktifi Ek V uyarınca beyan edilen ses değerleri, bu kılavuzun teknik veriler kısmında ve imzalı AT Uyumluluk Bildirimi'nde belirtilmiştir.

Açıklama	Gasoline Blower/ Blower-Vacuum
Marka	Husqvarna
Platform / Tür / Model	125B, 125BX, 125BVX modelini temsil eden 125B28HV platformu
Parti	2019ve daha ileri tarihli seri numaraları

Intertek, Husqvarna AB adına, makinelerle ilgili 2006/42/EC sayılı AT Konsey direktifi Uygunluk belgesi uyarınca gönüllü bir inceleme gerçekleştirmiştir.

İmzalı AB Uyumluluk Bildirimi'nde sağlandığı haliyle sertifika, tüm üretim yerleri ve Menşee Ülkeleri için üründe belirtildiği şekilde geçerlidir.

Sağlanan Gasoline Blower/ Blower-Vacuum, incelemeyen geçen örneğe uygundur.

aşağıdaki AB direktifleri ve düzenlemeleriyle tamamen uyumludur:

Direktif/Düzenleme	Açıklama
2006/42/EC	"makinelerle ilgili"
2014/30/EC	"elektromanyetik uyumlulukla ilgili"
2000/14/EC	"açık alanda gürültüyle ilgili"
2011/65/EU	"belirli tehlikeli maddelerin kısıtlanmasıyla ilgili"

Uygulanan uyumlulaştırılmış standartlar ve/veya teknik özellikler şu şekildedir: EN ISO 12100, EN ISO 1186-1, CISPR 12, ISO 14982, EN 50581



---

## Зміст

---

Вступ.....	297	Технічне обслуговування.....	304
Безпека.....	298	Технічні характеристики.....	306
Збирання.....	301	Аксесуари.....	307
Експлуатація.....	302	Зміст декларації відповідності ЕС.....	307

---

## Вступ

---

### Посібник користувача

Оригінальна мова посібника користувача – англійська. Посібники користувача іншими мовами є перекладами англійського оригіналу.

(Мал. 1)

1. Плечовий ремінь (125BVX)
2. Дросельний регулятор
3. Вимикач
4. Регулятор швидкості
5. Кожух вентилятора
6. Кришка паливного бака
7. Повітряний фільтр
8. Дросельна заслінка
9. Кнопка насоса
10. Кришка впускного отвору
11. Ручка пілососа (125BX та 125BVX)
12. Різці (125BX та 125BVX)
13. Лопаті крильчатки
14. Стандартна насадку
15. Високошвидкісна насадку (125BX та 125BVX)
16. Труба повітродува
17. Затискний болт труби
18. Затискні гайки труби
19. Глушник
20. Дріт заземлення
21. Ручка стартера
22. Стартер
23. Гвинти регулювання карбюратора
24. Посібник користувача
25. Всмоктувальний пристрій з набором комплектувальних, що складається з наведених нижче пунктів 26-30
26. Трубка мішка
27. Мішок
28. Всмоктувальна труба (з двох частин)
29. Гвинт
30. Плечовий ремінь

### Символи на виробі

(Мал. 2) Попередження

(Мал. 3) Прочитайте цей посібник

### Огляд

- (Мал. 4) Використовуйте відповідні засоби захисту слуху
- (Мал. 4) Використовуйте відповідні засоби захисту очей
- (Мал. 4) Використовуйте відповідний респіратор
- (Мал. 5) Використовуйте відповідні захисні рукавиці
- (Мал. 6) З-під виробу можуть викидатися предмети, що може призвести до пошкодження очей
- (Мал. 7) Безпечна відстань
- (Мал. 8) Не підходьте до крильчатки під час її обертання
- (Мал. 9) Не підпускайте до приладу дітей
- (Мал. 10) Рівень звукової потужності
- (Мал. 11) Рівень шуму
- (Мал. 12) Необхідно слідкувати, щоб довге волосся було заколото вище рівня плечей
- (Мал. 13) Виріб відповідає належним вимогам директив ЄС
- (Мал. 14) Виріб відповідає належним вимогам директив ЕАС
- (Мал. 15) Виріб відповідає належним вимогам директив України

---

**Зверніть увагу:** Інші позначення на виробі відповідають вимогам спеціальних сертифікатів для інших торгових зон.

---

## Відповідає вимогам європейського екологічного стандарту Євро-5



**ПОПЕРЕДЖЕННЯ:** Внесення змін у двигун позбавляє чинності сертифікацію ЄС для цього виробу.

## Відповідальність за якість продукції

Згідно із законом про відповідальність за якість продукції ми не несемо відповідальності за будь-які

пошкодження, спричинені роботою наших виробів, якщо:

- виріб було неправильно відремонтовано;
- виріб було відремонтовано із використанням деталей, виготовлених не виробником або не затверджених ним;
- виріб обладнано аксесуаром, виготовленим не виробником або не затвердженим ним;
- виріб було відремонтовано в неавторизованому сервісному центрі або неавторизованою компанією;

## Безпека

### Визначення щодо безпеки

Визначення, наведені нижче, пояснюють рівень серйозності кожного сигнального слова.



**ПОПЕРЕДЖЕННЯ:** Небезпека травми для людини.



**УВАГА:** Небезпека пошкодження виробу.

**Зверніть увагу:** Ця інформація спрощує використання виробу.

### Загальні правила техніки безпеки



**ПОПЕРЕДЖЕННЯ:** Перш ніж розпочати використання виробу, уважно прочитайте наведені нижче попередження.

- Використовуйте виріб правильно. Неправильне використання може призвести до травм або смерті. Використовуйте виріб лише для завдань, перелічених у цьому посібнику. Забороняється використовувати продукт для інших завдань.
  - Дотримуйтеся інструкцій, наведених у цьому посібнику. Дотримуйтеся інструкцій, зазначених на попереджувальних знаках та в правилах техніки безпеки. Недотримання оператором інструкцій, зазначених на попереджувальних знаках та в правилах техніки безпеки, може призвести до травм, пошкоджень або смерті.
  - Не викидайте цей посібник. Користуйтеся інструкціями для монтажу, експлуатації та підтримки виробу в задовільному стані. Користуйтеся інструкціями для правильного встановлення насадок та приладдя. Використовуйте лише сертифіковані насаддя та приладдя.
  - Не користуйтеся пошкодженим виробом. Дотримуйтеся графіка технічного обслуговування. Виконуйте лише те
- обслуговування, для якого наведені інструкції в цьому посібнику. Все інше обслуговування повинне виконуватися в авторизованому сервісному центрі.
- Цей посібник не включає всі ситуації, що можуть статися під час використання виробу. Будьте обережні та дотримуйтеся здорового глузду. Не експлуатуйте виріб і не виконуйте технічне обслуговування, якщо ви не можете розібратися в поточній ситуації. Більш детальну інформацію можна дізнатися в експерта з продукції, вашого дилера, центрі обслуговування або в авторизованому сервісному центрі.
  - Перед монтажем, зберіганням або технічним обслуговуванням необхідно виймати свічку запалювання.
  - Не використовуйте виріб у разі зміни його початкових технічних характеристик. Не замінюйте деталі виробу без дозволу виробника. Використовуйте лише деталі, схвалені виробником. Неправильне технічне обслуговування може призвести до травм або смерті.
  - Не вдихайте вихлопні гази, що виходять з двигуна. Тривале вдихання вихлопних газів двигуна може бути небезпечним для здоров'я.
  - Не вмикайте виріб у приміщенні чи біля легкозаймистих матеріалів. Вихлопні гази мають високу температуру та можуть містити іскри, від яких можливе загоряння. Недостатнє провітрювання може призвести до травм або смерті внаслідок задухи чи отруєння монооксидом вуглецю.
  - Під час використання виробу двигун створює електромагнітне поле. Електромагнітне поле може пошкодити медичні імплантати. Перш ніж працювати з цим приладом, проконсультуйтеся з лікарем і виробником медичного імплантату.
  - Не давайте використовувати прилад дітям. Не давайте використовувати прилад особам, що не ознайомилися з інструкціями.
  - Завжди спостерігайте за особами з обмеженими фізичними чи розумовими можливостями, що використовують виріб. Біля виробу, що працює,

- повинна завжди знаходитися відповідальна доросла особа.
- Зачиняйте виріб у місці, куди не зможуть отримати доступ діти та особи, що не мають належної підготовки для використання виробу.
  - З під виробу можуть викидатися предмети, що може призвести до травм. Для зменшення ризику травм або смерті дотримуйтеся правил техніки безпеки.
  - Не відходьте далеко від працюючого виробу.
  - Відповідальність за нещасний випадок несе оператор.
  - Перед використанням виробу переконайтеся, що його деталі не мають пошкоджень.
  - Перед використанням виробу переконайтеся в тому, що ви перебуваєте на відстані щонайменше 15 м (50 футів) від інших осіб або тварин. Переконайтеся в тому, що особи на прилеглий території знають, що ви збираєтеся використовувати виріб.
  - Дотримуйтеся державного та місцевого законодавства. Норми законодавства можуть забороняти або обмежувати використання виробу в деяких умовах.
  - Заборонено використовувати виріб, якщо ви втомлені чи перебуваєте під впливом наркотиків, алкоголю або медикаментів. Ці речовини можуть вплинути на зір, реакцію, координацію рухів або спроможність робити зважені рішення.

## Противібраційна безпека

Цей виріб призначено для періодичного використання. Тривала або регулярна робота з виробом може призвести до синдрому білих пальців або інших хвороб через вібрацію. У разі тривалої або регулярної експлуатації виробу перевіряйте стан своїх рук та пальців. Якщо колір ваших рук або пальців змінився, ви відчуваєте в них біль, поколювання або оніміння, припиніть роботу та негайно зверніться до лікаря.

## Правила техніки безпеки під час користування повітродувом

- Використовуйте виріб тільки для здування або прибирання листя чи іншого сміття з землі.
- Не використовуйте виріб, якщо ви втомлені, хворі, чи перебуваєте під впливом наркотиків, алкоголю або медикаментів.
- Не дозволяйте стороннім спостерігачам або тваринам перебувати на відстані ближче, ніж за 15 метрів від оператора.
- Виріб може викидати предмети з великою швидкістю, і вони можуть зрикошетити на оператора. Це може призвести до пошкодження очей.
- Не спрямовуйте насадку повітродува на людей або тварин.

- Необхідно слідкувати, щоб довге волосся було заколото вище рівня плечей.
- Зупиніть двигун перед встановленням або зняттям аксесуарів чи інших конструктивних елементів.
- Не використовуйте виріб за відсутності захисного кожуху.
- Не використовуйте виріб, якщо на робочій ділянці знаходяться люди. Зупиніть виріб у разі, якщо на робочу ділянку зайшла особа.
- Не використовуйте виріб у приміщеннях із недостатнім рухом повітря. Недостатнє провітрювання може призвести до травм або смерті внаслідок задухи чи отруєння монооксидом вуглецю.
- Глушник дуже сильно нагрівається під час роботи виробу, роботи на холостому ході та залишається гарячим після вимкнення. Будьте обережні під час роботи біля легкозаймистих матеріалів та газів.
- Не торкайтеся зони кришки впускного отвору. Тримайте ювелірні вироби та просторий одяг якомога далі від впускного отвору.
- Завжди зберігайте правильну стійку та використовуйте виріб лише на безпечних та рівних поверхнях. Стоячи на слизькій або нестійкій поверхні, наприклад, на драбині, можна втратити рівновагу або контроль.
- Не використовуйте виріб на високих ділянках, наприклад, на дахах.
- Для перевезення виріб слід надійно закріпити.
- Використовуйте виріб лише в рекомендований час. Дотримуйтеся місцевих норм. Зазвичай рекомендують використовувати виріб із 9:00 до 17:00 з понеділка по суботу.
- Для виконання роботи використовуйте виріб на найнижчій можливій швидкості.
- Переконайтеся, що під час використання виробу ви не впадете. Не нахиляйтеся під час експлуатації виробу.
- Перед використанням переконайтеся, що виріб знаходиться в справному стані, особливо глушник, всмоктувач повітря та повітряний фільтр.
- Перед використанням виробу попрацюйте граблями або мітлою, щоб сміття не так щільно прилягало до землі.
- Якщо робоча ділянка брудна, обробіть її водою за допомогою шланга.
- Використовуйте виріб як альтернативу шлангу, щоб зберегти воду.
- Здувайте сміття обережно. Остерігайтеся дітей, тварин, відкритих вікон та автомобілів.
- Не направляйте виріб на рослини, що можуть легко пошкодитися.
- Не видавайте повітря в напрямку об'єктів на кшталт стін, великих каменів, транспортних засобів та огорож.

- У разі роботи з внутрішніми кутами, видавайте повітря в напрямку центру робочої зони. За невиконання цієї умови сміття може потрапити в обличчя та призвести до травмування очей.
- Висувайте насадку на максимальну довжину, щоб струмінь повітря працював поблизу від землі.
- Сторонні особи також повинні мати засоби захисту очей.
- Після використання виробу викиньте сміття в контейнери для відходів.

## Правила техніки безпеки під час користування пилососом

- Не допускайте пошкодження вентилятора. Не всмокуйте великих твердих об'єктів на кшталт гілок, бляшанок, шматків гуми або довгих мотузок.
- Всмоктувальна труба не повинна торкатися землі.
- Перед усуненням засмічення або забруднюючих матеріалів слід зупинити двигун та від'єднати ковпак свічки запалювання.

## Засоби індивідуального захисту

- Під час експлуатації виробу завжди використовуйте відповідні засоби індивідуального захисту. Засоби індивідуального захисту не усувають повністю ризик отримання травм. Засоби індивідуального захисту знижують рівень пошкоджень у разі нещасного випадку.
- Під час експлуатації виробу завжди користуйтеся відповідними засобами захисту очей.
- Не використовуйте виріб, не надягнувши взуття або перебуваючи у відкритому взутті. Завжди використовуйте надміцні чоботи із захистом від ковзання.
- Використовуйте цупкі довгі штани.
- За необхідності використовуйте сертифіковані захисні рукавиці.
- У разі наявності ризику падіння предметів на голову, використовуйте шолом.
- Під час експлуатації виробу завжди користуйтеся відповідними засобами захисту органів слуху. Довготривалий вплив шуму може призвести до втрати слуху.
- Під час експлуатації виробу в запилених середовищах завжди користуйтеся відповідним респіратором.
- Переконайтеся, що поряд є набір засобів для надання першої медичної допомоги.

## Захисні засоби на пристрої

- Переконайтеся, що технічне обслуговування виробу проводиться регулярно.
  - Строк служби виробу збільшується.
  - Небезпека виникнення нещасних випадків зменшується.

Регулярний огляд, регулювання або ремонт виробу повинен проводитися авторизованим дилером або сервісним центром.

- Не використовуйте виріб з пошкодженням захисним спорядженням. У разі пошкодження виробу, зверніться до авторизованого сервісного центру.

## Вимикач

Запустіть двигун. Переконайтеся, що двигун вимикається, коли ви переводите вимикач у позицію зупинки. (Мал. 16)

## Глушник



**ПОПЕРЕДЖЕННЯ:** Забороняється доторкатися до гарячого глушника. Глушник дуже сильно нагрівається під час роботи двигуна та залишається гарячим після вимкнення виробу. Доторкнувшись до нього, можна обпектись.

- Не запускайте двигун з пошкодженим глушником. Пошкоджений глушник збільшує рівень шуму та підвищує небезпеку загоряння. Тримайте поруч вогнегасник.
- Регулярно перевіряйте кріплення глушника до виробу.
- Не торкайтеся двигуна або глушника під час роботи двигуна. Після зупинки двигуна почекайте деякий час перш ніж торкатися двигуна або глушника. Контакт із гарячими поверхнями може призвести до травм.
- Гарячий глушник може призвести до загоряння. Будьте обережні в разі використання виробу біля легкозаймистих рідин або газів.
- Не торкайтеся частин глушника в разі його пошкодження. Ці частини можуть містити канцерогенні хімічні речовини.
- Деякі моделі повітродувів оснащені іскрогасником, який слід чистити та замінювати з указаними інтервалами. Див. розділ «Технічне обслуговування» (*Технічне обслуговування на сторінці 304*).

(Мал. 17)

## Заходи безпеки при заправці палива

- Не запускайте виріб, якщо на ньому залишилося пальне або моторна олива. Приберіть непотрібне пальне/оливу та дайте виробу просохнути. Приберіть непотрібне пальне з виробу.
- Якщо ви пролили пальне на свій одяг, негайно переодягніться.
- Не допускайте потрапляння пального на тіло, адже це може призвести до травм. Для видалення пального, що потрапило на тіло, використовуйте мило та воду.
- Не запускайте двигун у разі потрапляння оливи або пального на виріб або тіло.

- Не запускайте виріб у разі наявності протікання у двигуні. Регулярно перевіряйте двигун на протікання.
- Будьте обережні при поводженні з паливом. Пальне є легкозаймистою речовиною, а його пари вибухонебезпечні та можуть призвести до травм або смерті.
- Не вдихайте вихлопні гази, це може призвести до травм. Забезпечте належне провітрювання.
- Не паліть біля пального або двигуна.
- Не кладіть біля пального або двигуна теплі предмети.
- Не доливайте пальне в працюючий виріб.
- Перед заправленням переконайтеся, що двигун охолонув.
- Перед заправленням повільно відкрийте кришку паливного бака, обережно зменшивши тиск.
- Не заправляйте виріб у приміщенні. Недостатнє провітрювання може призвести до травм або смерті внаслідок задухи чи отруєння монооксидом вуглецю.
- Обережно затягуйте кришку паливного бака, адже існує ризик виникнення пожежі.
- Перед запуском пересуньте виріб на 3 м від місця, де ви заправляли його.
- Не заливайте в паливний бак занадто багато палива.
- Переконайтеся у відсутності ризику протікань під час переміщення виробу або ємності для пального.
- Не залишайте виріб або ємність для пального біля відкритого вогню, джерела іскор або запальника. Переконайтеся, що в зоні зберігання відсутні джерела відкритого вогню.
- Під час переміщення або зберігання палива користуйтеся лише сертифікованими ємностями.
- Спустошуйте паливний бак перед тривалим зберіганням. Дотримуйтеся місцевого законодавства щодо утилізації пального.
- Очищуйте виріб перед тривалим зберіганням.
- Щоб двигун випадково не запустився, перед зберіганням необхідно зняти кабель свічки запалювання.

## Правила техніки безпеки під час обслуговування



**ПОПЕРЕДЖЕННЯ:** Неправильне технічне обслуговування може спричинити серйозні пошкодження двигуна або тяжкі травми.

Власник зобов'язаний виконувати роботи з необхідного технічного обслуговування, які вказані в посібнику користувача. Перед технічним обслуговуванням знімайте ковпачок зі свічки запалювання. Не виймайте свічку запалювання для регулювання карбюратора.

## Збирання



**ПОПЕРЕДЖЕННЯ:** Перед збиранням виробу прочитайте розділ про правила техніки безпеки.

### Встановлення повітродувної труби і насадки на виріб

**Зверніть увагу:** Болт має бути достатньою мірою ослаблений, щоб можна було вставити повітродувну трубу у випускний отвір. Щоб ослабити болт, поверніть його проти годинникової стрілки за допомогою викрутки.

1. Вирівняйте звужений кінець повітродувної труби з пазом на випускному отворі повітродува. Встановіть трубу на місце.
2. Для закріплення труби поверніть болт за годинниковою стрілкою за допомогою викрутки.

**Зверніть увагу:** Забороняється торкатися гайки будь-яким інструментом.

3. Сумістіть прорізи на нижній повітродувній трубі з виступами на верхній трубі. Вставте нижню повітродувну трубу у верхню.

4. Повертайте нижню повітродувну трубу за годинниковою стрілкою, доки не почуєте клацання.

### Встановлення мішка з різними всмоктувальними трубами



**ПОПЕРЕДЖЕННЯ:** Перед установленням труб на виріб вимкніть двигун.

#### Установлення мішка

1. Відкрийте мішок.
2. Вставте трубу для мішка з внутрішнього боку мішка таким чином, щоб вона ввійшла у вхідний отвір мішка.
3. Переконайтеся, що еластична деталь встала на місце у виїмці (А).
4. Застебніть замок-блискавку на мішку. (Мал. 18)

#### Установлення труби мішка

1. Якщо трубу повітродува встановлено, зніміть її.

2. Сумістіть фланець на трубі (А) мішка з пазом на випускному отворі (В) повітродува.
3. Повністю насуньте трубу мішка на випускний отвір.
4. Вставте гайку (С) у відповідний отвір.
5. Для закріплення труби встановіть гвинт (D) і затягніть його викруткою. (Мал. 19)

### З'єднання всмоктувальних труб

1. Сумістіть стрілку на нижній всмоктувальній трубі (А) зі стрілкою на верхній всмоктувальній трубі (В).
2. Вставте нижню всмоктувальну трубу у верхню всмоктувальну трубу.
3. З'єднайте дві труби, установивши самонарізний (С) шуруп викруткою. (Мал. 20)

### Установлення всмоктувальних труб

1. Вставте викрутку в зону фіксатора впускного отвору.

2. Ослабте фіксатор викруткою. (Мал. 21)
3. Тримайте кришку впускного отвору відкритою, доки верхня всмоктувальна труба не опиниться на місці.
4. Сумістіть фланці всередині впускного отвору з пазами на верхній всмоктувальній трубі. Сумістіть значок блокування на трубі зі значком розблокування на впускному отворі. (Мал. 22)
5. Повністю насуньте верхню всмоктувальну трубу на впускний отвір.
6. Повертайте верхню всмоктувальну трубу за годинниковою стрілкою, доки значок блокування на трубі не суміститься зі значком розблокування на впускному отворі. Коли трубу буде встановлено належним чином, пролунає клацання. (Мал. 23)

## Експлуатація



**ПОПЕРЕДЖЕННЯ:** Перед використанням виробу уважно прочитайте розділ про правила техніки безпеки.

### Паливо

#### Використання палива



**УВАГА:** Цей виріб оснащений двотактним двигуном. Використовуйте суміш бензину та моторної оливи для двотактних двигунів. Для суміші використовуйте правильну кількість оливи. Невірне співвідношення бензину та оливи може призвести до пошкодження двигуна.

- Завжди використовуйте новий неетилований бензин з мінімальним октановим числом 90 RON (87 AKI) та концентрацією етанолу менше 10% (E10).
- У разі частоого використання виробу з високою частотою обертання двигуна, необхідно використовувати бензин з вищим октановим числом.
- Використовуйте лише високоякісну суміш неетилованого бензину й оливи.

#### Двотактна моторна олива

- Використовуйте лише високоякісну двотактну моторну оливу. Використовуйте лише моторну оливу для повітряного охолодження.
- Не використовуйте інші типи оливи.
- Співвідношення компонентів 50:1 (2%)

### Бензин



**УВАГА:** Не використовуйте бензин із октановим числом нижче 90 RON (87 AKI). Це може призвести до пошкодження виробу.



**УВАГА:** Не використовуйте бензин із концентрацією етанолу більше 10% (E10). Це може призвести до пошкодження виробу.



**УВАГА:** Не використовуйте етилований бензин. Це може призвести до пошкодження виробу.

Бензин	Олива
1 амер. гал.	77 мл (2,6 унції)
1 брит. гал.	95 мл (3,2 унції)
5 л	100 мл (3,4 унції)

### Створення паливної суміші

**Зверніть увагу:** Для змішування суміші завжди використовуйте чисту паливну ємність.

**Зверніть увагу:** Не змішуйте об'єм суміші, яку не зможете використати протягом 30 днів.

1. Додайте половину кількості бензину.
2. Додайте всю оливу.
3. Збовтайте паливну суміш для змішування компонентів.
4. Додайте решту бензину.
5. Збовтайте паливну суміш для змішування компонентів.
6. Наповніть паливний бак.

### Додавання палива

- Завжди використовуйте паливну ємність з антипропускним клапаном.
- Якщо на ємності знаходиться паливо, приберіть його та дайте ємності просохнути.
- Переконайтеся, що область навколо кришки паливного бака чиста.
- Перед додаванням паливної суміші в паливний бак збовтайте ємність з паливом.

### Запуск і зупинення роботи

#### Перед запуском двигуна

- Перевірте виріб на предмет відсутніх, пошкоджених, розхитаних або зношених деталей.
- Перевірте мішок. Переконайтеся, що мішок не пошкоджений, а замок-блискавка застібнута.
- Перевірте гайки, гвинти та болти.
- Перевірте повітряний фільтр.
- Перевірте правильність роботи курка газу.
- Перевірте правильність роботи вимикача.
- Перевірте виріб на наявність витоків палива.

#### Запуск холодного двигуна



**ПОПЕРЕДЖЕННЯ:** Не намотуйте трос стартера на руку.



**УВАГА:** Не тримайте виріб ногами.



**УВАГА:** Не дотягуйте трос стартера до крайнього положення. Не відпускайте ручку троса стартера, коли він повністю витягнутий. Це може пошкодити виріб.

**Зверніть увагу:** Якщо двигун зупинився, переведіть повітряну заслінку в закриті положення та повторіть описані раніше дії.

1. Залийте до паливного бака чисту паливну суміш.
2. Натисніть кнопку насоса 10 разів. (Мал. 24)

3. Установіть елемент керування повітряною заслінкою двигуна в положення FULL CHOKE (Повний заслін, закриті положення). (Мал. 25)
4. Повністю поверніть регулятор швидкості проти годинникової стрілки. (Мал. 26)
5. Лівою рукою притисніть корпус інструмента до землі.
6. Тягніть за ручку на тросі стартера до тих пір, поки двигун не запуститься. Не тягніть за ручку стартера більше 3 разів.
7. Переведіть повітряну заслінку у положення 1/2 і потягніть ручку стартера, поки двигун не запрацює. (Мал. 27)
8. Дайте двигуну попрацювати приблизно 10 секунд.
9. Повністю натисніть дросельний регулятор і не відпускайте його, поки не виконаєте всі дії, що залишилися.
10. Переведіть повітряну заслінку у положення OFF CHOKE (Без заслону, відкрите положення). (Мал. 28)
11. Прогрійте двигун протягом 1 хвилини.

#### Запуск теплового двигуна

1. Натисніть і утримуйте дросельний регулятор.
2. Переведіть важіль дросельної заслінки у положення 1/2.
3. Стискаючи курок газу, різко потягніть за ручку стартера, щоб запустити двигун.
4. Переведіть повітряну заслінку у положення OFF CHOKE (Без заслону, відкрите положення).

#### Зупинення двигуна

- Натисніть і відпустіть перемикач двигуна STOP (Стоп). Перемикач автоматично повернеться у положення ON (Увімк.). Перед спробою перезапуску виробу зачекайте 7 секунд, щоб переконаватися, що перемикач перейде в початковий стан.

#### Використання насадки

- У разі, коли потрібно працювати з більш високою точністю і потрібна висока концентрація потоку повітря, застосовуйте стандартну насадку. (Мал. 29)
- Якщо потрібен ширший потік повітря і більша швидкість, застосовуйте високошвидкісну насадку. (Мал. 30)

#### Регулювання насадки повітродува

1. Поверніть насадку ліворуч, щоб послабити байонетне кріплення.
2. Переведіть насадку у відповідне положення.
3. Поверніть насадку праворуч, доки не почуєте клацання.

## Всмоктування

Перш ніж починати працювати в режимі всмоктування, надягніть необхідне захисне обладнання.



**ПОПЕРЕДЖЕННЯ:** Перед використанням переконайтеся, що мішок не пошкоджений, а замок-блискавку застібнуто. Не використовуйте пошкоджений мішок. Це допоможе уникнути травм від сміття, що може опинитися в повітрі. Робота з виробом лівою рукою підвищує ризики. Не допускайте, щоб частини тіла торкалися зони вихлопу.



**ПОПЕРЕДЖЕННЯ:** Ніколи не запускайте повітродув, якщо кришка впускного отвору відкрита або пошкоджена (за винятком випадків, коли під'єднана всмоктувальна труба).

- Під час роботи з повітродувом мішок необхідно підтримувати за допомогою плечового ремня.

Ремінь необхідно надягати на верхню частину плеча.

- Запустіть повітродув. Виконуйте інструкції з розділу по запуску та зупинці *Запуск і зупинення роботи на сторінці 303*. Прочитайте інструкції з безпеки *Безпека на сторінці 298*.

## Спорожнення мішка



**ПОПЕРЕДЖЕННЯ:** Завжди перевіряйте мішок. Перед використанням переконайтеся, що він не пошкоджений, а замок-блискавка застібнутий. Не користуйтеся пошкодженим мішком. Існує ризик травмування сміттям, що може з нього вилетіти. Будьте обережні, якщо працюєте лівою рукою. Не торкайтеся зони вихлопу.

1. Зупиніть виріб.
2. Відкрийте замок-блискавку на мішку.
3. Спорожніть мішок.
4. Закрийте замок-блискавку.

## Технічне обслуговування



**ПОПЕРЕДЖЕННЯ:** Перед очищенням, ремонтуванням чи технічним обслуговуванням уважно прочитайте розділ про правила техніки безпеки.

- Переконайтеся, що мішок не пошкоджений, а замок-блискавка працює. Замініть мішок у разі потреби.

### Щотижневе технічне обслуговування

- Перевірка стану стартера, троса стартера і притискної пружини. Замініть всі пошкоджені деталі.
- Перевірка стану повітрозабірника на стартері. Якщо всмоктувач повітря забився, звільніть його від сміття.
- Очищення зовнішньої частини свічки запалювання. Витягніть її та перевірте проміжок між електродами. Відрегулюйте зазор між електродами до 0,6 мм чи замініть свічку запалювання.
- Очищення лопатей на крильчатці.
- Очищення іскрогасника та його заміна в разі потреби (це не стосується глушників із каталітичним допалювачем газів).
- Очищення зони карбюратора.
- Очищення повітряного фільтра.

### Щомісячне технічне обслуговування

- Перевірка ручки троса стартера та троса стартера.
- Прочистьте паливний бак.
- Почистьте карбюратор та зону навколо нього.
- Очищення лопатей на крильчатці.

## Графік технічного обслуговування

Завжди дотримуйтеся графіка технічного обслуговування. Інтервали вираховуються з урахуванням щоденного використання виробу. Значення інтервалів буде іншим, якщо ви не використовуєте виріб щоденно. Виконуйте лише те обслуговування, яке описане в цьому посібнику. Інформацію щодо інших видів обслуговування, не наведених у цьому посібнику, можна отримати в авторизованому сервісному центрі.

### Щоденне технічне обслуговування

- Очищення зовнішніх поверхонь.
- Перевірка роботи регулятора швидкості та курка газу. Заміна пошкоджених деталей.
- Перевірка вимикача. За необхідності замініть його.
- Перевірка швидкості холостого ходу.
- Очищення повітряного фільтра. За необхідності замініть його.
- Переконайтеся, що кришка впускного отвору фіксується у закритому положенні. Переконайтеся, що крильчатка чиста.
- Затягніть всі гвинти та гайки.
- Переконайтеся, що на корпусах немає тріщин.



- Перевірте трубки паливної системи на предмет тріщин або інших пошкоджень. У разі необхідності замініть їх
- Замініть паливний фільтр у паливному баці.
- Перевірка всіх кабелів та з'єднань.
- Заміна свічки запалювання.
- Заміна повітряного фільтру.

#### Щорічне обслуговування

- Перевірка свічки запалювання.
- Очищення зовнішньої поверхні карбюратора та прилеглих до нього ділянок.
- Очищення системи охолодження.
- Перевірка іскрогасника.
- Перевірка паливного фільтра.
- Перевірка шланга подачі пального на пошкодження.
- Перевірка всіх кабелів та з'єднань.

#### Технічне обслуговування після 50 годин експлуатації

- Необхідно відремонтувати або замінити глушник в авторизованому сервісному центрі.

### Налаштування швидкості холостого ходу

- Перед налаштуванням швидкості холостого ходу переконайтеся, що повітряний фільтр чистий, а кришка повітряного фільтра встановлена.
- Налаштуйте швидкість холостого ходу за допомогою регульовального гвинта Т, який позначений літерою «Т».
- Швидкість холостого ходу відрегульована правильно, якщо двигун працює рівномірно в будь-якому положенні.

(Мал. 31)

1. Щоб збільшити швидкість повертайте гвинт регулювання холостого ходу за годинниковою стрілкою.
2. Щоб зменшити швидкість повертайте гвинт регулювання холостого ходу проти годинникової стрілки.

### Технічне обслуговування іскрогасника

Для очищення іскрогасника використовуйте дротяну щітку.

### Очищення системи охолодження

(Мал. 32)

Очищуйте елементи системи охолодження за допомогою щітки.

### Перевірка свічки запалювання



**УВАГА:** Завжди користуйтеся рекомендованими свічками запалення. Неправильний тип свічки запалювання може призвести до пошкодження виробу.

- У разі, якщо двигун втрачає потужність, його важко запустити або він погано працює на холостому ходу, необхідно перевірити свічку запалювання.
- Щоб зменшити ризик потрапляння зайвих предметів на електроди свічки запалювання, дотримуйтеся таких інструкцій:
  - a) переконайтеся, що швидкість холостого ходу встановлено правильно;
  - b) переконайтеся в правильності змішування паливної суміші;
  - c) переконайтеся, що повітряний фільтр чистий.
- Якщо свічка запалювання забруднена, її слід очистити й переконатися в тому, що між електродами встановлено правильний проміжок (див. *Технічні характеристики на сторінці 306*). (Мал. 33)
- За необхідності замініть свічку запалювання.

### Технічне обслуговування повітряного фільтра

#### Очищення повітряного фільтра

1. Зніміть кришку повітряного фільтра та витягніть повітряний фільтр. (Мал. 34)
2. Чистити повітряний фільтр потрібно теплою мильною водою. Перед встановленням переконайтеся, що повітряний фільтр сухий.
3. Якщо повітряний фільтр занадто брудний для очищення, замініть його. Пошкоджений повітряний фільтр необхідно замінювати обов'язково.
4. Якщо ваш виріб оснащений губчастим повітряним фільтром, використовуйте оливу для повітряних фільтрів. Оливу для повітряних фільтрів слід наносити лише на губчасті фільтри. Забороняється наносити оливу на фетровий фільтр.

## Технічні характеристики

	одиниця виміру	125B (125B28HV)	125BX (125B28HV)	125BVX (125B28HV)
<b>Технічні характеристики двигуна</b>				
Об'єм циліндра	см <sup>3</sup>	28	28	28
Проміжок між електродами	мм	0,6	0,6	0,6
Об'єм паливного бака	см <sup>3</sup>	500	500	500
Кількість обертів на холостому ході	об/хв	2800-3200	2800-3200	2800-3200
Максимальна потужність	об/хв	8000	8000	8000
Вихідна потужність	кВт	0,8	0,8	0,8
Свічка запалення		Champion RCJ-6Y	Champion RCJ-6Y	Champion RCJ-6Y
Максимальна швидкість в режимі повітродува	об/хв	8600	8600	8600
Максимальна швидкість в режимі пиლოსоса	об/хв	--	7500	7500
Період стійкості характеристик випромінювання	год	125	125	125
<b>Дані щодо шуму та вібрації</b>				
Еквівалентні рівні вібрації на ручках з повітродувними трубами та насадкою (оригінал) – див. примітку 1	м/с <sup>2</sup>	11,03	11,03	11,03
Еквівалентні рівні вібрації на ручках зі всмоктувальними трубами (оригінал), ліворуч/ праворуч – див. примітку 1	м/с <sup>2</sup>	--/--	12,16 / 12,29	12,16 / 12,29
Еквівалентний рівень шумового тиску у вусі оператора, виміряний відповідно до стандартів ISO 22868, і за наявності випускних труб повітродува та насадкою (оригінал) – див. примітку 3	дБ(А)	96	96	96
Рівень шумового тиску у вусі спостерігача, виміряний відповідно до стандарту ANSI S175.2, і за наявності випускних труб повітродува та насадкою (оригінал)	дБ(А)	71	71	71
Рівень звукової потужності, виміряний – див. примітку 2	дБ(А)	109	109	109
Рівень звукової потужності, гарантований (L <sub>WA</sub> ) – див. примітку 2	дБ(А)	112	112	112
<b>Розміри виробу</b>				
Вага (без пального, але зі встановленою повітродувною трубою та стандартною насадкою)	кг	4,3	4,4	4,4

**Примітка 1:** Представлені дані про еквівалентний рівень вібрації мають типову статистичну дисперсію (стандартне відхилення) в  $1 \text{ м/с}^2$ .

**Примітка 2:** Випромінювання шуму в середовище, виміряне як звукова потужність ( $L_{WA}$ ), відповідає директиві ЄС 2000/14/ЄС. Зазначений рівень звукової потужності для машини був виміряний із оригінальним устаткуванням, що дає найвищий рівень. Різниця між гарантованим і вимірюваним рівнем звукової потужності полягає в тому, що гарантована звукова потужність включає також дисперсію результатів вимірювання та відмінності між різними машинами тієї самої моделі відповідно до Директиви 2000/14/ЄС.

**Примітка 3:** Представлені дані для еквівалентного рівня звукового тиску для машини мають типову статистичну дисперсію (стандартне відхилення) в  $1 \text{ дБ(A)}$ .

Вентилятор	Одиниця виміру	125B	125BX	125BVX
Тип		Радіальний вентилятор	Радіальний вентилятор	Радіальний вентилятор
Макс. швидкість подачі повітря, стандартна насадка	км/год	217	217	217
Макс. швидкість подачі повітря, високошвидкісна насадка*	км/год	273	273	273
Об'єм повітря в режимі повітродува	куб. фут/хв	425	425	425
Об'єм повітря в режимі пирососа	куб. фут/хв	--	445	445
*додаткові аксесуари для деяких моделей				

## Аксесуари

125B, 125BX, 125BVX	
<b>Схвалені аксесуари</b>	<b>Тип</b>
Набір для очищення канавок	952 711 918
125BX, 125BVX	
<b>Схвалені аксесуари</b>	<b>Тип</b>
Комплектом для функції пирососа	952 711 913
125B	
<b>Схвалені аксесуари</b>	<b>Тип</b>
Високошвидкісна насадка	545 119 501

## Зміст декларації відповідності ЄС

Ми, Husqvarna AB, SE 561 82 Huskvarna, SWEDEN, заявляємо під свою виключну відповідальність, що представлений виріб:

<b>Опис</b>	<b>Gasoline Blower/ Blower-Vacuum</b>
Бренд	Husqvarna
Платформа / Тип / Модель	Платформа125B28HV, представлена модель 125B, 125BX, 125BVX
Партія	Серійні номери за 2019 рік і пізніше

повністю відповідає наступним директивам і нормам ЄС:

<b>Директива/норма</b>	<b>Опис</b>
2006/42/EC	«Про механічне обладнання»
2014/30/EC	«Про електромагнітну сумісність»
2000/14/EC	«Про випромінювання шуму від обладнання, призначеного для використання надворі»
2011/65/EU	«Про обмеження використання деяких небезпечних речовин»

Застосовуються такі узгоджені стандарти й/або технічні вимоги: EN ISO 12100, EN ISO 1186-1, CISPR 12, ISO 14982, EN 50581

Згідно з директивною 2000/14/EC, додаток V, заявлені шумові характеристики зазначені в розділі технічних даних цього посібника та в підписаній декларації відповідності ЄС.

Компанія Intertek виконала добровільну перевірку компанії Husqvarna AB і видала їй сертифікат відповідності нормам директиви Ради ЄС 2006/42/EC «Про машини та механізми».

Сертифікат, як зазначено в підписаній декларації відповідності ЄС, діє для всіх місць виробництва та країн-виробників, зазначених на виробі.

Gasoline Blower/ Blower-Vacuum, що постачається, відповідає зразкам, які пройшли перевірку.

## 目次

はじめに.....	309	メンテナンス.....	315
安全性.....	310	主要諸元.....	317
組み立て.....	313	アクセサリ.....	318
操作.....	313	EC 適合宣言の内容.....	318

## はじめに

### 取扱説明書

本取扱説明書は元々、英語で作成されています。他の言語版の取扱説明書は、英語から翻訳されたものです。

(図 1)

1. ショルダーストラップ ( 125BVX )
2. スロットルトリガー
3. 停止スイッチ
4. 速度制御
5. ファンハウジング
6. 燃料タンクキャップ
7. エアフィルター
8. チョーク
9. プライマバルブ
10. インレットカバー
11. バキュームハンドル ( 125BX および 125BVX )
12. カッター ( 125BX および 125BVX )
13. ファンインペラー
14. 標準ノズル
15. 高速ノズル ( 125BX および 125BVX )
16. ブローチューブ
17. チューブクランプボルト
18. チューブクランプナット
19. マフラー
20. アース線
21. スターターハンドル
22. スターター装置
23. キャブレター調整ネジ
24. 取扱説明書
25. 以下の 26 ~ 30 のアイテムで構成された集塵コンポネントを備えた吸引装置
26. 集塵バッグチューブ
27. 集塵バッグ
28. 2 つのセクションのバキュームチューブ
29. ネジ
30. ショルダーストラップ

### 製品に表記されるシンボルマーク

- (図 2) 警告
- (図 3) 本取扱説明書をお読みください
- (図 4) 認可されたイヤマフを使用してください

### 概要

- (図 4) 認可された防護メガネを使用してください
- (図 4) 適切な防塵マスクを使用してください
- (図 5) 認可された保護グローブを着用してください
- (図 6) 本製品から物体が飛散し、目に怪我を負う可能性があります
- (図 7) 安全な距離
- (図 8) 回転しているインペラーに近づかないでください
- (図 9) お子様を本製品に近づかないでください
- (図 10) 音響レベル
- (図 11) ノイズレベル
- (図 12) 長い髪の毛は、肩より上にまとめてください
- (図 13) 本製品は EC 指令適合製品です
- (図 14) 本製品は EAC 指令適合製品です
- (図 15) 本製品はウクライナ指令適合製品です

**注記:** 本製品に付いている他のシンボル / 銘板は、他の販売地域での認定条件を示しています。

### ユーロ V 排出規制



**警告:** エンジンを改造すると、この製品の EC 型式認証が無効になります。

### 製造物責任

製造物責任法に基づき、当社は、次の場合については本製品を原因とする損傷について責任を負いません。

- 本製品が誤って修理された場合。

- ・ メーカーによるものではない部品、またはメーカーの認可していない部品を使用して本製品を修理した場合。
- ・ メーカーによるものではないアクセサリ、またはメーカーの認可していないアクセサリを本製品に使用した場合。

- ・ 認定サービスセンターまたは認定機関で本製品が修理されていない場合。

## 安全性

### 安全性の定義

各シグナルワードの重大度の定義は次のとおりです。



**警告：** 人身傷害。



**注意：** 製品の損傷。

**注記：** この情報は、本製品を使用しやすくするためのものです。

### 一般的な安全注意事項



**警告：** 本製品を使用する前に、以下の警告指示をお読みください。

- ・ 本製品は正しく使用してください。誤って使用すると負傷または死亡する可能性があります。本取扱説明書に記載されている作業以外に本製品を使用しないでください。他の作業に本製品を使用しないでください。
- ・ 本取扱説明書の指示に従ってください。安全記号と安全注意事項に従ってください。作業者がこれらの指示や記号に従わない場合、負傷、損傷、または死亡に至る可能性があります。
- ・ 本取扱説明書は破棄しないでください。製品を組み立て、操作し、良好な状態に保つために、指示に従ってください。アタッチメントやアクセサリを正しく取り付けるために、指示に従ってください。認可されたアタッチメントやアクセサリのみを使用してください。
- ・ 損傷した製品は使用しないでください。メンテナンスのスケジュールに従ってください。本取扱説明書で説明しているメンテナンス作業のみを行ってください。他のすべてのメンテナンス作業は認定サービスセンターが行います。
- ・ 本取扱説明書には、本製品使用時に発生する可能性のあるすべての状況を記載することはできません。常識に基づいて注意して使用してください。状況が不明な場合は、本製品を操作したり、メンテナンスしたりしないでください。情報が必要な場合は、製品の専門家、販売店、サービスエージェント、または認定サービスセンターにお問い合わせください。
- ・ スパークプラグケーブルを取り外してから、本製品の組み立て、保管場所への保管、またはメンテナンスを行ってください。
- ・ 本製品が初期仕様から変更された場合は、本製品を使用しないでください。メーカーからの承認を受けずに本製品の部品を交換しないでください。メーカーが認可した部品のみを使用してください。誤ってメンテナンスすると、負傷または死亡に至る可能性があります。
- ・ エンジンから出る排気ガスを吸い込まないでください。エンジンの排気ガスを長時間にわたって吸引すると、健康を害する危険があります。
- ・ 屋内や可燃物の近くでは、本製品を始動しないでください。排気ガスは高温で火花を含むこともあり、火災発生の原因となります。通気が十分でないと、窒息や一酸化炭素中毒によって負傷や死亡に至ることがあります。
- ・ 本製品の使用時には、エンジンが電磁場を形成しません。電磁場は医療用インプラントに損傷を与える可能性があります。本製品を操作する前に、医師および医療用インプラントメーカーに相談してください。
- ・ 子供に本製品を操作させないでください。操作方法を理解していない人に本製品を操作させないでください。
- ・ 身体的、精神的にハンディキャップを持った人が本製品を使用する場合は、常に監督者が必要です。責任を有する大人が常にそばにいる必要があります。
- ・ 本製品は子供や承認されていない人が立ち入ることのできない場所に保管してください。
- ・ 本製品は物体を飛散させるため、負傷する可能性があります。負傷や死亡の危険性を減らすために安全注意事項に従ってください。
- ・ エンジンをかけたまま本製品から離れないでください。
- ・ 事故が起こった場合、本製品の操作者に責任があります。
- ・ 本製品を使用する前に、部品が損傷していないことを確認してください。
- ・ 本製品を使用する前に、他の人や動物から 15 m (50 フィート) 以上離れていることを確認してください。近隣の人に本製品を使用することを知らせてください。
- ・ 国または地域の法律を参照してください。これらの法律により、いくつかの条件で本製品の運転が禁止されていたり、規制されていたりする場合があります。
- ・ 疲労時や、アルコールや医薬品の影響を受けているときは、本製品を使用しないでください。視力、注

意力、調整力、判断力に悪影響を及ぼす可能性があります。

## 振動への安全対策

本製品は短時間使用専用です。製品を継続的または定期的に操作していると、振動が原因で、「白蟻病」あるいはそれと同等の医療上の問題につながるおそれがあります。製品を継続的または定期的に操作している場合は、ご自身の手と指の状態を調べてみてください。もし手や指に退色や、痛み、うずき、麻痺といった症状が見られる場合、すぐに作業を中止して医者にかかってください。

## ブロワーの操作に関する安全注意事項

- 本製品は、地面に落ちている葉や他のごみを吹き飛ばしたり取り除いたりするためにのみ使用してください。
- 疲労時、疾病時、アルコールや医薬品の使用時には、本製品を使用しないでください。
- 人や動物を作業者から 15 m (50 フィート) 以内に近づけないでください。
- 本製品から高速で放出された物体が跳ね返って作業者に当たるおそれがあります。これにより、目に怪我をするおそれがあります。
- ブロワーのノズルを人や動物に向けしないでください。
- 髪の毛が長い場合は、肩より上にまとめてください。
- アクセサリーやコンポーネントを着脱する前に、エンジンを停止してください。
- ガードを取り付けずに本製品を操作しないでください。
- 作業区域に他に人がいる場合は、本製品を操作しないでください。作業区域に人が入った場合は、本製品を停止してください。
- 通気が十分でない場所では、本製品を操作しないでください。通気が十分でないと、窒息や一酸化炭素中毒によって負傷や死亡に至ることがあります。
- 本製品の稼働中、停止後、およびアイドリング状態のときは、マフラーが非常に熱くなっています。可燃性の物質や可燃性のガスの近くでは注意してください。
- インレットカバー周りに触れないでください。宝飾品や袖締まりの悪い服装をインレット周りに近づけないでください。
- 常に適切な足場を確保し、安全で水平な地面の上でのみ本製品を操作してください。滑りやすい、または不安定な足場（ハシゴなど）では、バランスやコントロールを失うことがあります。
- 屋根のような高い場所で本製品を操作しないでください。
- 搬送の間、本製品をしっかりと固定してください。
- 推奨される時間帯にのみ本製品を操作してください。公的規制を順守してください。通常の推奨される時間は、月曜日から土曜日の午前 9 時から午後 5 時までです。
- 作業を行うために必要な最低限のスロットルで本製品を操作してください。

- 本製品を使用するときは倒れないようにしてください。本製品を操作するときは、身体を傾けないでください。
- 操作する前に、特に、マフラー、エアインタークー、エアフィルターなど、本製品の状態が良好であることを確認してください。
- 本製品を操作する前に、レキやほうきを使用して地面に落ちているごみをほくしてください。
- 作業区域が汚れている場合は、ホースで水をかけてください。
- 本製品は、水を節約するためのホースの代用として使用しないでください。
- ごみを安全に吹き飛ばしてください。子供、動物、開いている窓、または車に注意してください。
- 本製品を損傷しやすい植物に向けしないでください。
- 壁、大きな岩、車、フェンスなどの物体の方向に空気を吹きつけないでください。
- コーナーの内側で作業する場合は、コーナーから作業区域の中央に向かって吹つけます。そうしないと、ごみが顔に当たり、目に怪我をすることがあります。
- ノズルを完全に伸ばして、気流を地面付近に保ちます。
- 近くにいる人は防護メガネを着用する必要があります。
- 本製品を使用した後は、廃棄物容器のごみを廃棄してください。

## バキュームの操作に関する安全注意事項

- ファンの損傷を防いでください。木、缶、ゴム製のマット、長い糸などの大きくて硬い物体を吸い込まないようにしてください。
- バキュームチューブが地面に触れないようにします。
- 詰まっている物質を除去する前に、エンジンを停止して、スパークプラグキャップを外します。

## 使用者のプロテクティブ装具

- 本製品を操作するときは常に、適切なプロテクティブ装具を使用してください。身体保護具を使用しても、負傷の危険性はなくなりません。身体保護具を使用すると、事故が発生した場合に負傷の程度が軽減されます。
- 本製品を操作するときは必ず、認可された防護メガネを使用してください。
- 製品を裸足やサンダル履きで本製品を操作しないでください。丈夫で滑りくいブーツを常に着用してください。
- 厚手の長ズボンを着用してください。
- 必要に応じて、認可された保護グローブを着用してください。
- 頭部に物体が落下する可能性がある場合は、ヘルメットを着用してください。
- 本製品を操作するときは常に、認可されたイヤーマフを使用してください。長時間の騒音によって聴力が低下するおそれがあります。

- 埃の多い環境で本製品を操作しているときは、認可された防塵マスクを常に着用してください。
- 救急用具が近くにあることを確認してください。

## 本製品の保護装置

- 必ず定期的にメンテナンスを行ってください。
  - 本製品の寿命が延びます。
  - 事故のリスクは減少します。

認定販売店や認定サービスセンターに本製品を定期的に点検させて、調整や修理を依頼してください。

- 身体保護具が損傷している製品は使用しないでください。本製品が損傷している場合は、認定サービスセンターにご連絡ください。

## 停止スイッチ

エンジンを始動します。停止スイッチを停止位置に移動したときにエンジンが停止することを確認します。

(図 16)

## マフラー



**警告：** マフラーが熱くなっている場合は、マフラーに触れないでください。エンジンの作動中や停止後は、マフラーが非常に熱くなっています。マフラーに触れると、やけどを引き起こすおそれがあります。

- マフラーに損傷があるエンジンを使用しないでください。マフラーに損傷があると、騒音レベルと火災発生の危険が増加します。消火器を常に近くに置いてください。
- マフラーが本製品に取り付けられていることを定期的に確認してください。
- エンジンの稼働中は、エンジンまたはマフラーに触れないでください。エンジンの停止後しばらくは、エンジンまたはマフラーに触れないでください。高温の表面で、怪我をすることおそれがあります。
- 熱いマフラーは、火災を引き起こすおそれがあります。可燃性の液体やガスの近くで本製品を使用する場合は注意してください。
- マフラーが損傷している場合は、マフラーの部品に触れないでください。部品に一部の発がん性の化学物質が含まれることがあります。
- 一部のブロワーモデルには、スパークアレスタースクリーンが搭載されています。指定された間隔でスクリーンを清掃および交換してください。メンテナンスセクション（メンテナンス 315 ページ）を参照してください。

(図 17)

## 燃料の安全について

- 本製品に燃料やエンジンオイルが付着している場合は始動しないでください。不要な燃料やオイルを本製品から除去し、乾かしてください。不要な燃料を本製品から除去してください。
- 衣服にガソリンをこぼした場合は、すぐに着替えてください。

- 燃料が身体に付着しないようにしてください。負傷する場合があります。身体に燃料が付着した場合は、石鹸と水を使用して燃料を洗い流してください。
- 本製品や身体にオイル / 燃料をこぼした場合は、エンジンを始動しないでください。
- エンジンに漏れがある場合は、本製品を始動しないでください。エンジンに漏れがないかどうかは定期的に点検してください。
- 燃料に注意してください。燃料は可燃性で蒸気には爆発性があるため、負傷や死亡に至ることがあります。
- 燃料の蒸気を吸引しないでください。負傷の原因になることがあります。十分な空気の流れを確保してください。
- 燃料やエンジンのそばで喫煙しないでください。
- 燃料やエンジンのそばに温かい物を置かないでください。
- エンジンの稼働中は、燃料を補充しないでください。
- 燃料の補充は、エンジンが冷えてからにしてください。
- 燃料を補充する前に、燃料タンクのキャップを開けて慎重に圧力を解放してください。
- 屋内でエンジンに燃料を補充しないでください。十分な空気の流れがないと、窒息や一酸化炭素中毒によって負傷や死亡に至ることがあります。
- 発火するおそれがあるので、燃料タンクキャップは慎重に閉めてください。
- 始動する前に燃料を入れた場所から本製品を 3 m (10 フィート) 以上移動させてください。
- 燃料タンクに燃料を入れすぎないでください。
- 本製品または燃料容器を動かしたときに漏れがないことを確認してください。
- 本製品または燃料容器を裸火、火花、または種火がある場所に置かないでください。保管場所に裸火がないことを確認してください。
- 燃料を移動するとき、または燃料を保管場所に置くときは、認可されている容器のみを使用してください。
- 長期間保管するときは、燃料タンクを空にしてください。燃料を廃棄する場所については、地域の法律に従ってください。
- 長期間保管するときは、本製品を清掃してください。
- エンジンが誤って始動しないようにするために、本製品を保管する前に点火プラグケーブルを外してください。

## メンテナンスのための安全注意事項



**警告：** メンテナンスが正しく行われていないと、深刻なエンジンの損傷や重傷を負うおそれがあります。

所有者は、取扱説明書に指定されている、必要なすべてのメンテナンスを実施する責任があります。メンテナ



スの前にスパークプラグを外してください。キャブレター  
の調整前にスパークプラグを外さないでください。

## 組み立て



**警告：**本製品を組み立てる前に、安全に関する章を読んでください。

### ブローチューブとノズルを本製品に取り付けるには

**注記：**ボルトを十分に緩めて、ブローチューブをブローの差し込み口に接続します。ドライバーを使ってボルトを反時計回りに回して緩めます。

1. 上部ブローチューブのリップをブローの差し込み口の溝に合わせます。チューブを所定の位置に移動します。
2. ドライバーを使ってボルトを時計回りに回して、チューブを取り付けます。

**注記：**ナットには工具を使用しないでください。

3. 下部ブローチューブのスロットを上部ブローチューブのタブに合わせます。下部ブローチューブを上部ブローチューブの上に移動します。
4. カチッという音がするまで、下部ブローチューブを時計回りに回します。

### 異なるバキュームチューブが付いた集塵バッグの取り付け



**警告：**チューブを本製品に取り付ける前に、エンジンをオフにします。

#### 集塵バッグを空にする

1. 集塵バッグを開けます。
2. 集塵バッグチューブをバッグの内側から挿入して、バキュームインレットの開口部に取り付けます。
3. 溝のゴム製のシートを確認します (A)。
4. バッグのジッパーを閉じます。(図 18)

#### 集塵バッグチューブの取り付け

1. ブローチューブが取り付けられている場合は、取り外します。
2. 集塵バッグチューブのリップ (A) をブローアウトレット (B) の溝に合わせます。
3. 集塵バッグチューブをブローアウトレットに完全に押し込みます。
4. ナット (C) を開口部に挿入します。
5. ネジ (D) を入れ、スクリュードライバーで締め付けてチューブを取り付けます。(図 19)

#### バキュームチューブの組み立て

1. 下部バキュームチューブ (A) の矢印を上部バキュームチューブ (B) の矢印に合わせます。
2. 下部バキュームチューブを上部バキュームチューブに押し込みます。
3. スクリュードライバーを使用して、セルフタッピンネジ (C) でチューブを組み立てます。(図 20)

#### バキュームチューブの取り付け

1. バキュームインレットのラッチ部分にスクリュードライバーの先端を差し込みます。
2. ドライバーを回してラッチを解除します。(図 21)
3. 上部バキュームチューブが所定の位置に収まるまで、バキュームインレットカバーを開けておきます。
4. バキュームインレット内側のリップを上部バキュームチューブのスロットに合わせます。チューブのロックマークがバキュームインレットのロック解除マークと揃っていることを確認します。(図 22)
5. 上部バキュームチューブをバキュームインレットに完全に押し込みます。
6. チューブのロックマークがバキュームインレットのロックマークと揃うまで、上部バキュームチューブを時計方向に回します。チューブが正しく取り付けられると、カチッという音がします。(図 23)

## 操作



**警告：**本製品を操作する前に、安全に関する章を読んで理解してください。

### 燃料

#### 燃料を使用するには



**注意：**本製品は 2 サイクルエンジンを備えています。ガソリンと 2 サイクルエンジンオイルの混合物を使用してください。混合物には正しい量のオイルを使用してください。ガソリンとオイルの割合を間違えると、エンジンが損傷する場合があります。

## ガソリン



**注意：** オクタン価が 90 RON ( 87 AKI ) 未満のガソリンは使用しないでください。本製品が損傷する場合があります。



**注意：** エタノール濃度が 10 % ( E10 ) を超えるガソリンは使用しないでください。本製品が損傷する場合があります。



**注意：** 有鉛ガソリンは使用しないでください。本製品が損傷する場合があります。

- 最低オクタン価が 90 RON ( 87 AKI ) でエタノール濃度が 10 % ( E10 ) 未満の新しい無鉛ガソリンを満に使用してください。
- 本製品を継続的に高速なエンジン速度で使用することが頻繁な場合は、オクタン価の高いガソリンを使用してください。
- 必ず高品質の無鉛ガソリン/オイル混合物を使用してください。

## 2 サイクルエンジンオイル

- 高品質の 2 サイクルエンジンオイルのみを使用してください。空冷エンジン用オイルのみを使用してください。
- 他の種類のオイルを使用しないでください。
- 混合比 50 : 1 ( 2 % )

ガソリン	オイル
1 米ガロン	77 ml ( 2.6 オンス )
1 英ガロン	95 ml ( 3.2 オンス )
5 l	100 ml ( 3.4 オンス )

## 燃料混合物を作るには

**注記：** 燃料を混合するときは、必ず清潔な燃料容器を使用してください。

**注記：** 使い切るのに 30 日以上かかる量の燃料混合物は作らないでください。

1. ガソリンの半量を加えます。
2. 全量のオイルを追加します。
3. 燃料混合物を振って混ぜ合わせます。
4. 残りのガソリンを加えます。
5. 燃料混合物を振って混ぜ合わせます。
6. 燃料タンクを充填します。

## 燃料を追加するには

- 必ず流出防止バルブの付いている燃料容器をご使用ください。

- 容器に燃料が付着している場合は、不要な燃料を除去し、容器を乾かします。
- 燃料タンクキャップ周辺が汚れていないことを確認します。
- 燃料容器を振ってから、燃料タンクに燃料混合物を入れます。

## 始動および停止するには

### エンジンを始動する前に

- 部品に欠落、損傷、緩み、摩耗がないかどうかを点検します。
- 集塵バッグを点検します。集塵バッグが破損していないこと、およびジッパーが閉じていることを確認してください。
- ナット、ネジ、およびボルトを点検します。
- エアフィルターの点検をします。
- スロットルトリガーが正しく動作するかどうかを点検します。
- ストップスイッチが正しく動作するかどうかを点検します。
- 本製品に燃料漏れがないかどうかを点検します。

### 冷機エンジンの始動



**警告：** スターターロープを腕に巻き付けしないでください。



**注意：** 本製品を足で持ち上げないでください。



**注意：** スターターロープを末端位置まで引っぱらないでください。スターターロープを引いているときは、スターターロープハンドルから手を放さないでください。本製品が損傷するおそれがあります。

**注記：** エンジンが停止した場合は、チョークコントロールを閉位置に移動し、始動手順をもう一度実行してください。

1. 燃料タンクに新しい燃料混合物を充填します。
2. プライマバルブを 10 回押します。(図 24)
3. エンジンのチョークコントロールをフルチョーク ( 閉 ) 位置に動かします。(図 25)
4. 可変速制御を完全に反時計方向に完全に押します。(図 26)
5. 左手で本製品本体を地面に固定します。
6. エンジンが稼動するまで、スターターロープハンドルを引きます。4 回以上引っぱらないでください。
7. チョークコントロールを 1/2 の位置に移動し、エンジンが始動するまで、スターターロープハンドルを引きます。(図 27)
8. エンジンを約 10 秒間運転させます。

9. スロットトリガーを完全に押したままにして、残りのすべての手順を実行します。
10. チョークコントロールをオフチョーク（開）位置まで動かします。（図 28）
11. エンジンを 1 分間暖機運転します。

### 暖機エンジンを始動するには

1. スロットトリガーを押し続けます。
2. チョークコントロールを 1/2 の位置まで動かします。
3. エンジンが始動するまで、スロットトリガーを引きながら、スターターロープハンドルをすばやく引きます。
4. チョークコントロールをオフチョーク（開）位置まで動かします。

### エンジンの停止方法

- エンジン停止スイッチを押して放します。スイッチが、自動的にオンの位置に戻ります。7 秒待ってから、本製品を再始動して、スイッチがリセットされていることを確認してください。

### ノズルを使用するには

- 精度と高い気流の濃度が必要な場合は、標準ノズルを使用してください。（図 29）
- 広い気流と大きな風速が必要な場合は、高速ノズルを使用してください。（図 30）

### ブローノズルを調整するには

1. ノズルを左に回して、バヨネットマウントを外します。
2. ノズルを適切な位置に移動します。
3. カチッという音がするまで、ノズルを右に回します。

### 吸引するには

吸引を行う前に、必要な安全装置を設置してください。



**警告：** 使用する前に、集塵バッグが破損していないこと、およびジッパーが閉じていることを確認してください。破損しているバッグは使用しないでください。これにより、ごみの飛散による怪我を防ぐことができます。左手で操作すると、危険が増加します。身体が排気口周りに触れないようにしてください。



**警告：** インレットカバーが開いているか損傷している場合は、ブローを始動しないでください（バキュームチューブが取り付けられている場合を除く）。

- ブローの操作中は、シールドストラップで集塵バッグを保持する必要があります。ストラップは、肩の上部に装着する必要があります。
- ブローを始動します。始動および停止のセクション（始動および停止するには 314 ページ）の指示に従ってください。安全注意事項（安全性 310 ページ）を読んでください。

### 集塵バッグを空にするには



**警告：** 必ず、集塵バッグを点検してください。使用する前に、集塵バッグが破損していないこと、およびジッパーが閉じていることを確認してください。損傷したバッグは使用しないでください。ごみの飛散によって怪我をする危険があります。左手で操作する場合は注意してください。排気口周りには触れないでください。

1. 本製品を停止します。
2. サイドのジッパーを開けます。
3. 集塵バッグを空にします。
4. ジッパーを閉めます。

## メンテナンス



**警告：** 本製品を清掃、修理またはメンテナンスする前に、安全に関する章を読んで理解してください。

### メンテナンススケジュール

メンテナンススケジュールに従うようにしてください。メンテナンス間隔は、毎日の本製品の使用から計算されます。製品を毎日使用しない場合、メンテナンス間隔は異なります。本取扱説明書に記載されているメンテナンス作業のみを行ってください。本取扱説明書に記載されていない他のメンテナンス作業については、認定サービスセンターにお問い合わせください。

#### 毎日行うメンテナンス

- 外面を清掃します。

- 速度制御とスロットトリガー機能を点検します。破損した部品は交換してください。
- 停止スイッチを点検します。必要場合は交換してください。
- アイドリング速度を点検します。
- エアフィルターを清掃します。必要場合は交換してください。
- インレットカバーを閉位置でロックできることを確認します。インペラーに汚れがないことを確認します。
- すべてのナットとネジを締め込みます。
- ハウジングに亀裂がないことを確認します。
- 集塵バッグが破損していないこと、およびジッパーが機能することを確認します。必要に応じてバッグを交換します。

## 毎週行うメンテナンス

- スターター装置、スターターロープ、テンションスプリングの状態を点検します。破損した部品はすべて交換してください。
- スターター装置のエアインテークの状態を確認します。エアインテークが詰まっている場合は、ごみを取り除きます。
- スパークプラグの外側を清掃します。スパークプラグを取り外し、電極ギャップを点検します。距離を6 mm (0.024 インチ) に調節するか、スパークプラグを交換します。
- インペラーのブレードを清掃します。
- スパークアレスタースクリーンを清掃し、必要に応じて交換します ( 触媒コンバータ付きのマフラーの場合を除く ) 。
- キャブレター周りを清掃します。
- エアフィルターを清掃します。

## 毎月行うメンテナンス

- スターターロープハンドルとスターターロープを点検します。
- 燃料タンクを清掃します。
- キャブレターとその周辺を清掃します。
- インペラーのブレードを清掃します。
- 燃料系に亀裂やその他の損傷がないかを点検します。必要に応じて交換します。
- 燃料タンク内の燃料フィルターを交換します。
- すべてのコードと接続部を点検します。
- スパークプラグを交換します。
- エアフィルターを交換します。

## 毎年行うメンテナンス

- スパークプラグを点検します。
- キャブレターの外面とその周辺を清掃します。
- 冷却システムを洗浄します。
- スパークアレスタースクリーンを点検します。
- 燃料フィルターを交換します。
- 燃料ホースに損傷がないかどうかを点検します。
- すべてのコードと接続部を点検します。

## 50 時間ごとに行うメンテナンス

- 認定サービスセンターにマフラーの修理または交換を依頼します。

## アイドリング速度を調整するには

- アイドリング速度を調整する前に、エアフィルターに汚れがなく、エアフィルターカバーが取り付けられていることを確認します。
- 「T」マークの付いているアイドリング調節ネジ T を使用して、アイドリング速度を調整します。
- アイドリング速度が正しくなると、エンジンが全方向にスムーズに動作します。

(図 31)

- 速度を上げるには、アイドリング調整ネジを時計回りに回します。
- 速度を下げるには、アイドリング調整ネジを反時計回りに回します。

## スパークアレスタースクリーンに対するメンテナンスを行うには

ワイヤーブラシを使用して、スパークアレスタースクリーンを清掃します。

## 冷却システムのクリーニング方法

(図 32)

冷却システムの部品をブラシで清掃します。

## スパークプラグを点検するには



**注意:** 必ず、推奨されている種類のスパークプラグを使用してください。スパークプラグの種類が間違っていると、本製品が破損するおそれがあります。

- エンジンのパワーが出ない、なかなか始動しない、またはアイドリング速度で適切に動作しない場合は、スパークプラグを点検します。
- スパークプラグ電極に異物が付着するリスクを下げるには、次の手順に従います。
  - アイドリング速度が正しく調整されていることを確認します。
  - 適切な燃料混合物を使用していることを確認します。
  - エアフィルターに汚れがないことを確認します。
- スパークプラグが汚れていたら、きれいにしてから電極ギャップが適切であることを確認します。主要 諸元 317 ページを参照してください。(図 33)
- 必要に応じてスパークプラグを交換します。

## エアフィルターのメンテナンスを行うには

### エアフィルターのクリーニング方法

- エアフィルターカバーを取り外して、エアフィルターを取り出します。(図 34)
- 暖かい石鹼水でエアフィルターを洗浄します。エアフィルターは乾燥させてから取り付けます。
- 十分に洗浄しても汚れが落ちない場合は、エアフィルターを交換します。破損したエアフィルターは必ず交換してください。
- 本製品にフォームエアフィルターがある場合、エアフィルターオイルを塗布します。エアフィルターオイルはフォームフィルターにのみ塗布します。フェルトフィルターにオイルを塗布しないでください。

## 主要諸元

	単位	125B ( 125B28HV )	125BX ( 125B28HV )	125BVX ( 125B28HV )
<b>エンジン仕様</b>				
排気量	cm <sup>3</sup>	28	28	28
電極ギャップ	mm	0.6	0.6	0.6
燃料タンク容量	cm <sup>3</sup>	500	500	500
アイドリング速度	min <sup>-1</sup>	2800 - 3200	2800 - 3200	2800 - 3200
最大出力回転数	min <sup>-1</sup>	8000	8000	8000
出力	kW	0.8	0.8	0.8
スパークプラグ		Champion RCJ-6Y	Champion RCJ-6Y	Champion RCJ-6Y
ブローモード最大速度	min <sup>-1</sup>	8600	8600	8600
バキュームモード最大速度	min <sup>-1</sup>	--	7500	7500
排出耐久時間	h	125	125	125
<b>騒音と振動データ</b>				
ブローチューブとノズル ( オリジナル ) を装備したハンドルの等価振動レベル - 注記 1 を参照してください	m/s <sup>2</sup>	11.03	11.03	11.03
バキュームチューブ ( オリジナル ) を装備したハンドルの等価振動レベル、左/右 - 注記 1 を参照してください	m/s <sup>2</sup>	--/--	12.16/12.29	12.16/12.29
ブローチューブとノズル ( オリジナル ) を装備した場合に ISO 22868 に従って計測した使用者聴覚の等価騒音レベル - 注記 3 参照	dB ( A )	96	96	96
ブローチューブとノズル ( 純正 ) 装着時に ANSI B175.2 に従って計測した使用者聴覚の音圧レベル	dB ( A )	71	71	71
計測音響レベル - 注記 2 を参照してください	dB ( A )	109	109	109
保証音響レベル ( L <sub>WA</sub> ) - 注記 2 を参照してください	dB ( A )	112	112	112
<b>製品の寸法</b>				
質量 ( 燃料なし、ただしブローチューブと標準ノズルを装備 )	kg	4.3	4.4	4.4

**注記 1:** 報告データによれば、等価振動レベルの一般的な統計上のばらつき（標準偏差）は  $1\text{m/s}^2$  です。

**注記 2:** 環境における騒音の排出は、EC 指令 2000/14/EC に従って、音響パワー（ $L_{WA}$ ）として測定。本機の騒音レベル報告値は、最高レベルとなるオリジナルのアタッチメントを使用して計測されました。保証音響と計測音響の違いは、保証音響に計測結果のばらつきと、同一モデルの異なる機器の差異が含まれているためです。これは指令 2000/14/EC に則っています。

**注記 3:** 報告データによれば、製品の等価騒音レベルの一般的な統計上のばらつき（標準偏差）は 1 dB (A) です。

ファン	単位	125B	125BX	125BVX
型式		ラジアルファン	ラジアルファン	ラジアルファン
標準ノズル装着時の最高風速	km/h	217	217	217
高速ノズル装着時の最高風速*	km/h	273	273	273
ブローモード風量	cfm	425	425	425
バキュームモード風量	cfm	--	445	445
*一部のモデルのオプションのアクセサリー				

## アクセサリー

125B、125BX、125BVX	
認可されたアクセサリー	型式
溝クリーニングキット	952 711 918
125BX、125BX	
認可されたアクセサリー	型式
バキュームキット	952 711 913
125B	
認可されたアクセサリー	型式
高速ノズル	545 119 501

## EC 適合宣言の内容

SE 561 82 Husqvarna, SWEDEN に所在する Husqvarna AB は、単独責任のもとで、以下の製品の適合を宣言します。

内容	Gasoline Blower/ Blower-Vacuum
ブランド	Husqvarna

内容	Gasoline Blower/ Blower-Vacuum
プラットフォーム / タイプ / モデル	プラットフォーム 125B28HV、代表モデル 125B、125BX、125BVX
バッチ	2019 年以降の製造番号

が以下の EU 指令および規制を完全に順守し、

指令 / 規制	説明
2006/42/EC	「機械類に関する」
2014/30/EC	「電磁環境適合性に関する」
2000/14/EC	「屋外の騒音に関する」
2011/65/EU	「特定有害物質の使用制限」

整合規格および / または技術仕様が適用されていることを当社単独の責任で宣言します。 EN ISO 12100, EN ISO 1186-1, CISPR 12, ISO 14982, EN 50581

指令 2000/14/EC の付録 V に従って、宣言した音響値は本取扱説明書の主要諸元のセクションと署名済み EC 適合宣言に記載されています。

Intertek は、ハスクバーナ AB の代理として自主試験を実施し、機械類に関する EC 評議会司令 2006/42/EC への適合を示す証明書を提供しています。

署名済み EC 適合宣言に記載されている証明書は、本製品に明記されているように、すべての製造場所と製造国に適用されます。

出荷される Gasoline Blower/ Blower-Vacuum は、テストに合格したサンプル品と同等のものです。



[www.husqvarna.com](http://www.husqvarna.com)

Original instructions  
Оригинални инструкции  
Originalna uputstva  
Původní pokyny  
Originale instruktioner  
Originalanweisungen  
Αρχικές οδηγίες  
Instrucciones originales  
Originaaljuhend  
Alkuperäiset ohjeet  
Instructions d'origine  
Originalne upute  
Eredefői útmutatás  
Istruzioni originali  
Originalios instrukcijos

Lietošanas pamācība  
Originale instructies  
Originale instruksjoner  
Oryginalne instrukcje  
Instruções originais  
Instrucțiuni inițiale  
Оригинальные инструкции  
Původné pokyny  
Izvirna navodila  
Originalna uputstva  
Bruksanvisning i original  
Orijinal talimatlar  
Оригинальні інструкції  
取扱説明書原本

114172838



2019-12-16